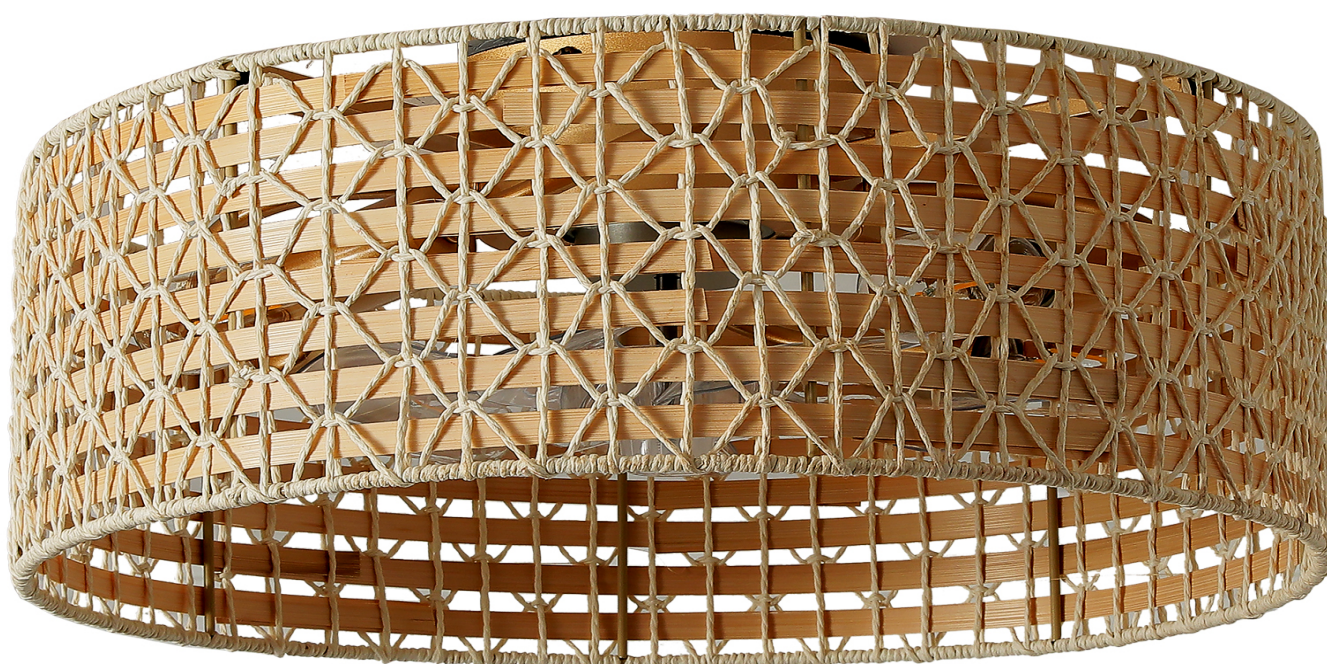


IMITATION RATTAN CEILING FAN WITH LIGHT

INSTALLATION AND OPERATING INSTRUCTIONS USER INSTALLATION MANUAL



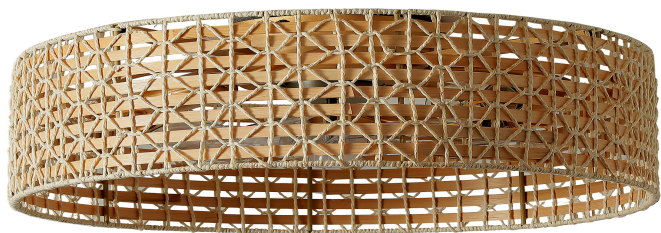
WARNING: SHUT POWER OFF AT FUSE OR CIRCUIT BREAKER

THANK YOU FOR YOUR PURCHASE

Thank you for purchasing this quality product. To ensure correct function and safety, please read and save all instructions before using the product .

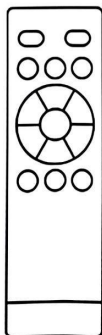
PARTS & ACCESSORIES

Ceiling Fan Kit:

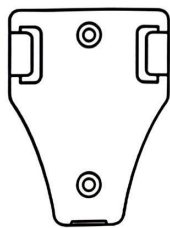


Fan body *1

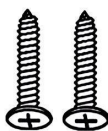
Remote Control Kit:



Remote control *1



Wall bracket*1

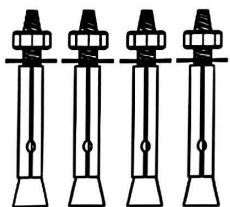


Self-tapping screws *2

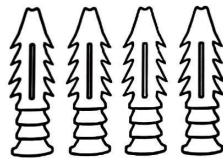


Plastic anchor *2

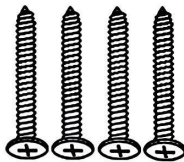
Installation Kit:



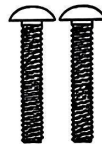
Expansion Bolts *4



Plastic anchor *4



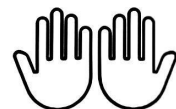
Self-tapping screws *4



Screws *2



Wiring cap *4



Gloves *2

SAFETY TIPS BEFORE INSTALL

1. To avoid the risk of electric shock, turn off the electricity at the main fuse box or circuit panel before beginning the fan installing or fan servicing or accessories installing, ensure that the electricity remains off during the entire installation or servicing process.
2. Read all instructions and safety information carefully before installing your fan and save these instructions.
3. Ensure that all electrical connections comply with local codes, ordinances, and the National Electrical Code. If you are not familiar with electrical wiring, it is recommended to hire a qualified and licensed electrician.
4. **WARNING:** To reduce the risk of fire, electric shock, or personal injury, install to an outlet box marked "Acceptable Fan Support" and use the mounting screws included with the outlet box. Most outlet boxes commonly used to support lighting fixtures do not. included. That's acceptable for fan support and may need to be replaced. If in doubt, consult a qualified electrician.
5. Use UL-listed general-use switches for the installation. Refer to the instructions provided with the light kits for proper assembly.
6. Once the installation is complete, carefully check that all connections are securely tightened.
7. After making the electrical connections, position spliced conductors facing upwards and carefully insert them into the outlet box. Make sure to separate the wires, with the grounded conductor and the equipment-grounding conductor positioned on one side of the outlet box.
8. **WARNING:** To reduce the risk of electric shock and fire, do not use this fan with any solid state fan speed control device or rheostat.
9. Wait until the fan comes to a complete stop before separating the reverse switch.
10. Never insert objects into the fan blades while they are in motion.
11. Take caution when working near or cleaning the fan to prevent personal injury or damage to the fan and other items.
12. Avoid using water or detergent to clean the fan or fan blades. Instead, use a dry dust cloth or a lightly dampened cloth for most cleaning purposes.

NOTE: The manual's safety precautions and instructions provided here are not exhaustive and may not address all potential conditions and situations. It is important to exercise common sense and caution during the installation and operation of this fan.

NOTE: It is essential to supervise children to prevent them from using the appliance as a toy.

NOTE: This product is not intended for use by individuals (including children) with physical, sensory, or mental limitations or impairments unless they are supervised or trained by a responsible person who ensures their safety.



WARNING: To reduce the risk of personal injury, do not bend the blade holder (also called the "flange") during assembly or after installation. Do not insert objects in the path of the blade.



WARNING: Remove the rubber motor stops on the bottom of the fan before installing the blades or testing the motor.



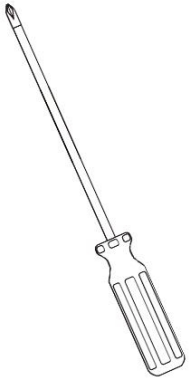
WARNING: To reduce the risk of fire or electric shock this fan is NOT suitable for use with solid-state speed controls.



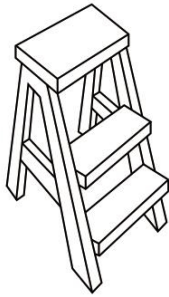
WARNING: Electrical diagrams are for reference only. Optional use of any light kit shall be UL-listed and marked suitable for use with this fan.

PRE-INSTALLATION

Tool preparation



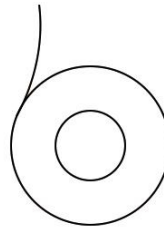
Phillips screwdriver
(Longer than 8 inch)



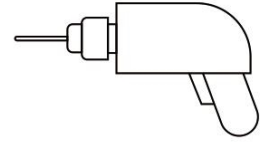
Step ladder



Wire stripper

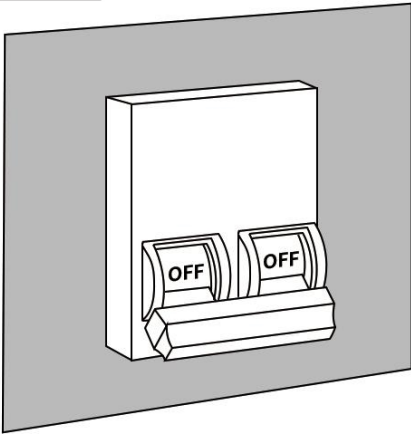


Electrical tape



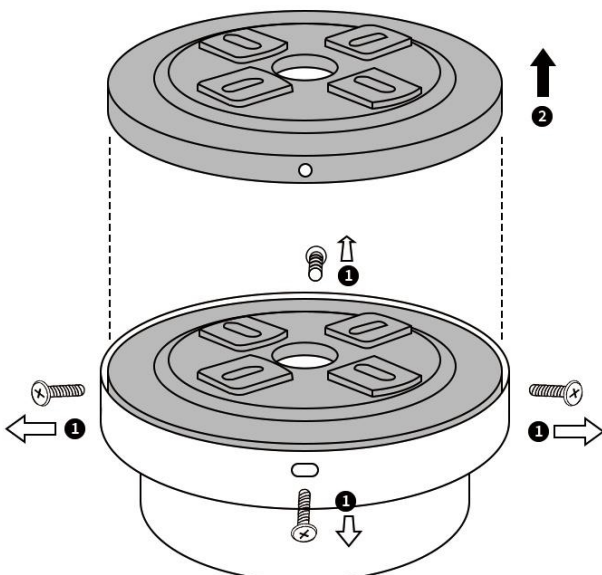
Drill

Power off



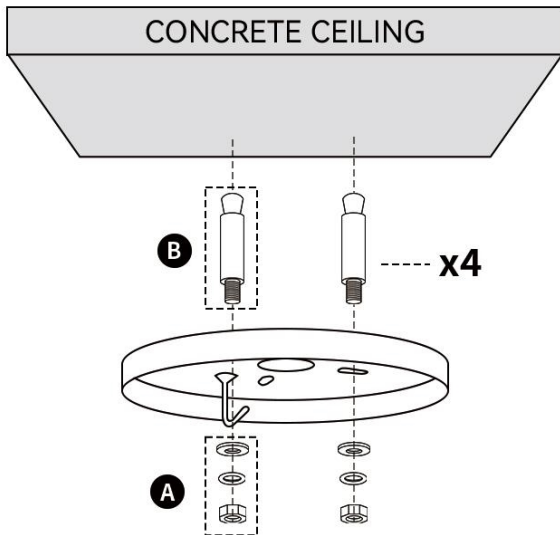
Before installation, the power must be turned off to prevent electric shock

REMOVING THE MOUNTING BRACKET



- 1 Unscrew the screws.
- 2 Remove the mounting bracket

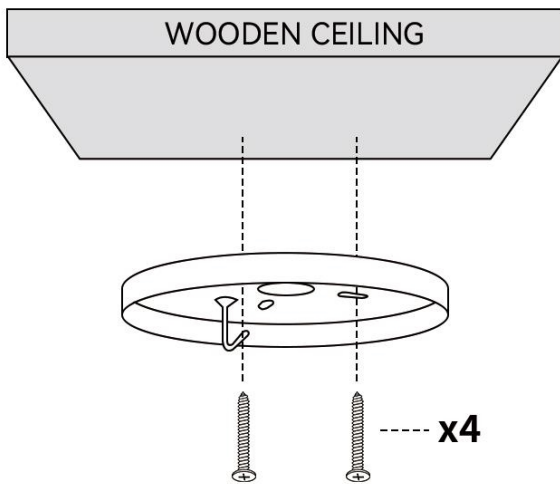
INSTALLATION OF DIFFERENT CEILINGS



FOR CONCRETE CEILING

1. Marking screw holes in the ceiling
2. Punching holes in the ceiling with an electric drill
3. Remove Expansion Screws **A** and Install **B** in Ceiling
4. Install the mounting bracket and install the washers and screws **A** in sequence

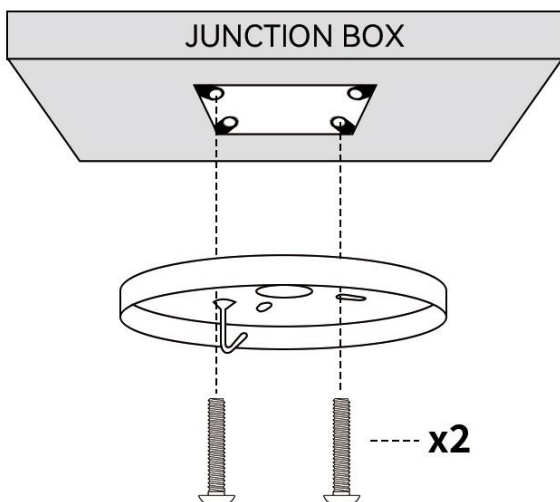
IMPORTANT :
SCREWS & NUTS MUST BE
TIGHTENED TILL SNUG



FOR WOODEN CEILING

1. Install the mounting bracket with self-tapping screws and electric

IMPORTANT :
SCREWS & NUTS MUST BE
TIGHTENED TILL SNUG



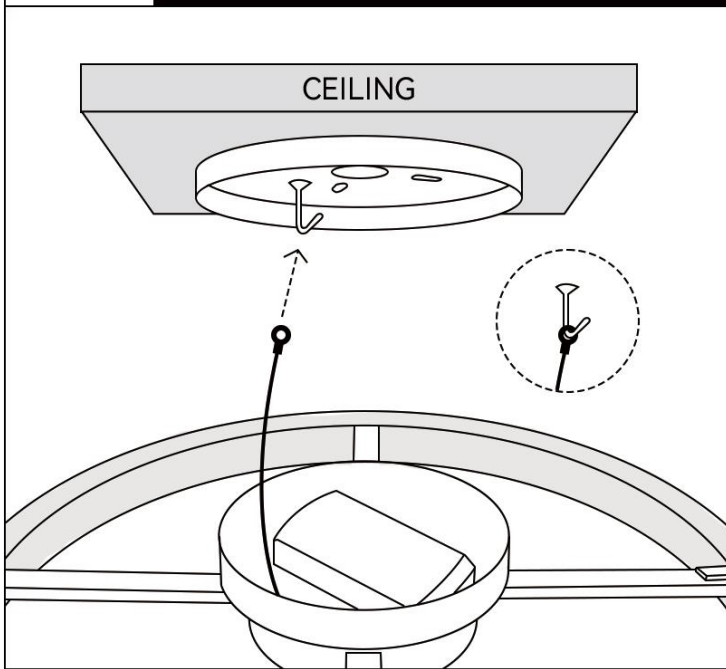
FOR JUNCTION BOX

1. Install the mounting bracket with screws

IMPORTANT :
SCREWS & NUTS MUST BE
TIGHTENED TILL SNUG

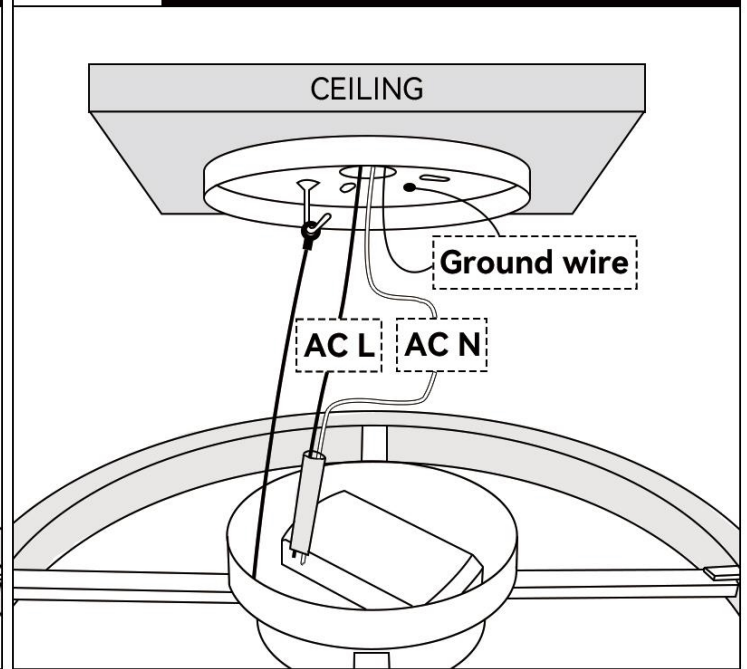
INSTALLATION STEPS

PART 1 Fixed the ceiling fan



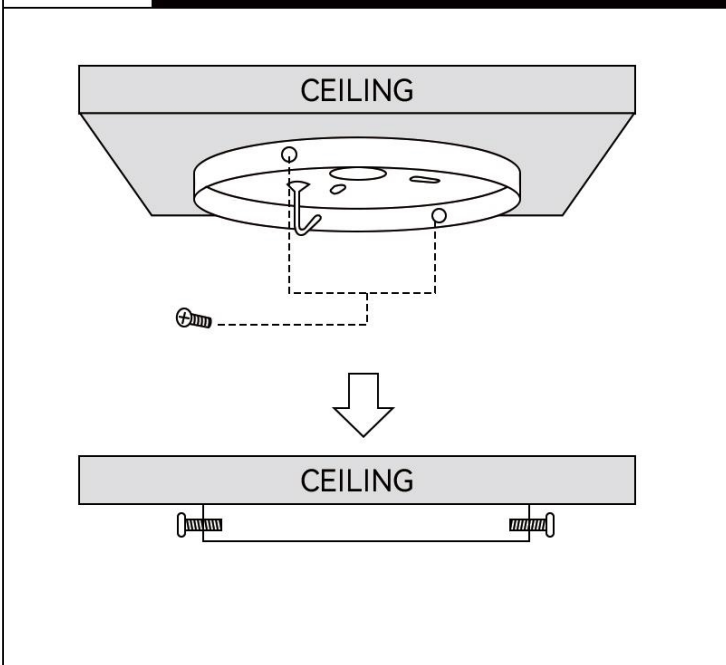
- 1 Using the metal cord, hang the fan from the mounting bracket

PART 2 Connect the power wire



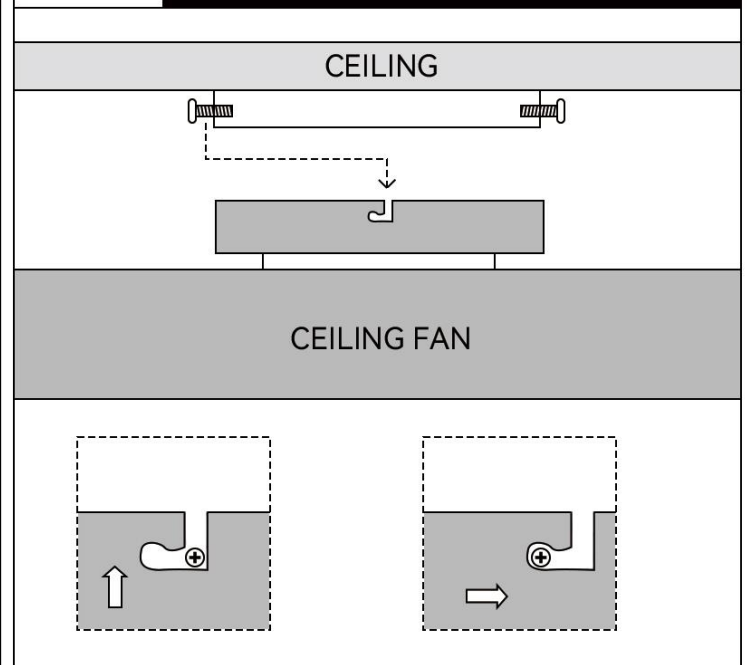
- 1 Connect the power wire.
Black to AC L, White to AC N
- 2 Connect the ground wire

PART 3 Mounting screw



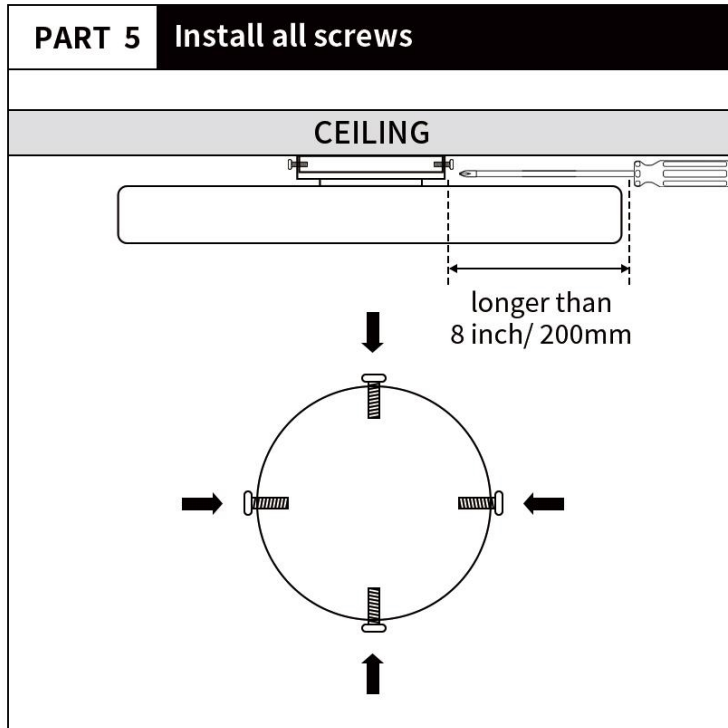
- 1 Install two screws in the bracket, they should be 180° relative to each other
- 2 Screw the 2 screws in halfway

PART 4 Install the ceiling fan

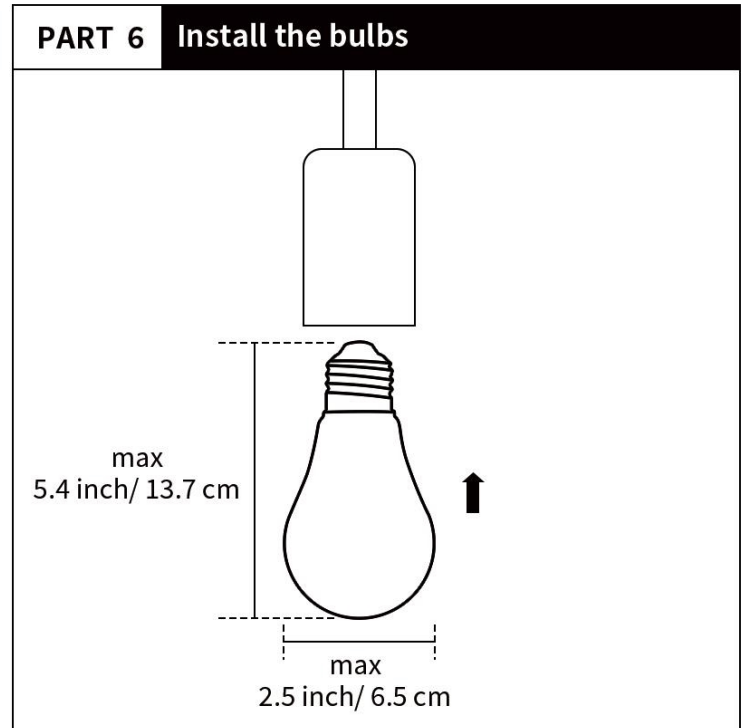


- 1 Align the screw holes in the fan with the screws on the bracket
- 2 Push the fan up to get the screws into the holes
- 3 Rotate the fan clockwise to hold the fan in place

INSTALLATION STEPS



- 1 Install the remaining 2 screws to the bracket
- 2 Tighten all screws



- 1 Install the bulbs (not include)

MAINTENANCE

Due to the fan's natural movement, connections may get loose after a period of usage. To ensure a proper and safety usage, inspect the suspension system and tighten all connections every 6 months.

CLEANING

Cleaning your fan periodically will prolong its useful life. Basic cleaning procedures are as follows:

1. Please shut off the power before you clean the light fan and replace the bulbs.
2. The bulbs and nearby parts will be still hot after the power is shut off. To avoid burn, please clean them after they are cooled down.
3. Don't use sandpaper, wire brush and other sharp tools to clean the light fan.
4. Don't clean the light fan by using detergents, acid or alkaline solvents.
5. Use only soft or lint-free cloth to clean the light fan.
6. Please dry the ceiling fan by cold-blast air after cleaning, in order to prevent dangerous leakage caused by water infiltrated into electriferous parts of the light fan or prevent rust of wet metal parts.
7. There is no need to oil the fan.

TROUBLE SHOOTING

Problem	Solution
<ul style="list-style-type: none"> • The fan can not start. 	<ul style="list-style-type: none"> • Check the main and branch circuit fuses or breakers. • Check the line wire connections to the fan and switch wire connections in the switch housing.
<ul style="list-style-type: none"> • The remote control doesn't work. (For safety clearance, we didn't provide the batteries for the remote control.) 	<ul style="list-style-type: none"> • Re-pairing the remote and controller <ol style="list-style-type: none"> ① Turn off the fan power or room power, then turn on again. ② After the buzzer sounds, press 2 Speed and 2 Hour, then the fan starts to turn. ③ Solved! • Replace the remote and controller If the previous step is not effective, please contact us. We will help to send you the replacement part.
<ul style="list-style-type: none"> • The fan is noisy. 	<ul style="list-style-type: none"> • Ensure all motor housing screws are installing snugly. • Ensure all the screws that attach the fan blade bracket to the motor hub are tight. • Ensure the wire nut connections are not ratting against each other or the interior wall of the switch housing. • Allow a 24-hour "breaking in" period. Most noises associated with a new fan disappear during this time. • If you are using the Ceiling Fan light kit, ensure the screws securing the glassware are tight. Check that the light bulbs are also secure. • Ensure the canopy is a short distance from the ceiling. It should not touch the ceiling.
<ul style="list-style-type: none"> • Missing Accessories • Missing Mounting Hardware • Damaged Outer Packaging Box 	<ul style="list-style-type: none"> • Please contact with our service team, we will always 24/7 here for you. Just explain the situation you meet, provide problem photos. We will serve you wholeheartedly and send you the missing part replacement for free.
<ul style="list-style-type: none"> • If you meet such fan and light functions cannot realize as we describe in the link 	<ul style="list-style-type: none"> • Please check all the connections are right, if you can't tell what went wrong, please contact us and we'll help you solve it.