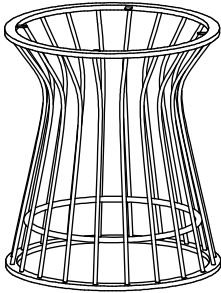


ASSEMBLY INSTRUCTION

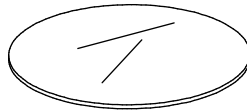
PLANTER SIDE TABLE W/ GLASS TOP

1 Metal Base



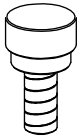
1pc

2 Glass Top



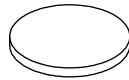
1pc

A Leveler

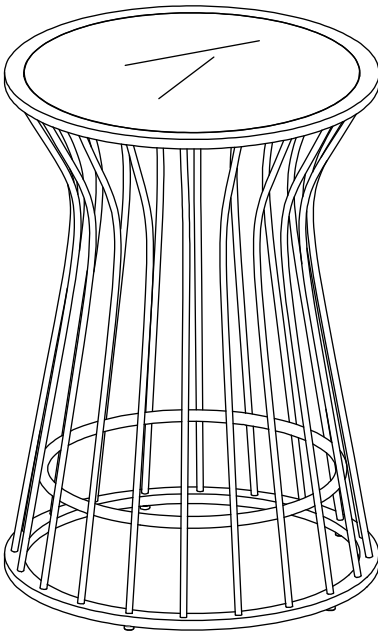


5pcs

B Glass Pad



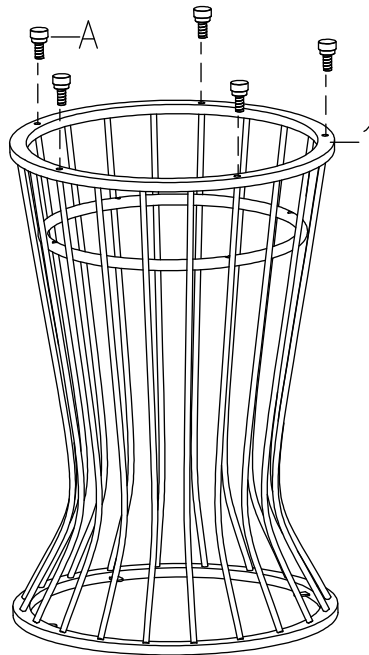
4pcs



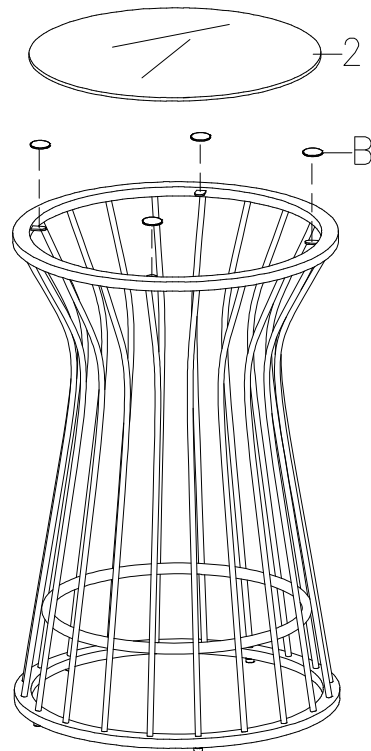
This page lists all the contents included in the box. Please take the time to identify the hardware as well as the individual components to this product. As you unpack and prepare for assembly, place the contents on a carpeted or padded area to protect them from damage.

1

Upside down the Metal Base (1) and tighten the Leveler (A) as shown.

**2**

Put Glass Pads (B) onto Metal Base (1) before putting the Glass Top (2) as shown below.



Cleaning & Care

Treat surface with care. Surface is resistant to scratches but is not scratch resistant. Clean surfaces with a dry or damp soft cloth. Do not use abrasive cleaners. Hardware may loosen over time. Periodically check that all connections are tight.