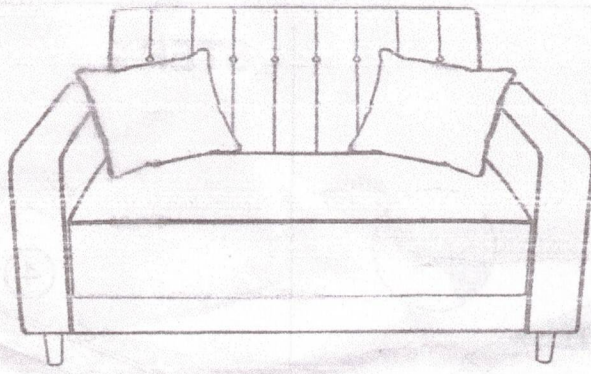


1 Assembly Instruction



STEP 1

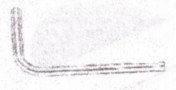
A 4 PCS



B 1 PC



C 1 PC



D 8 PCS



E 8 PCS



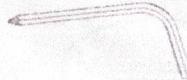
F 2 PCS



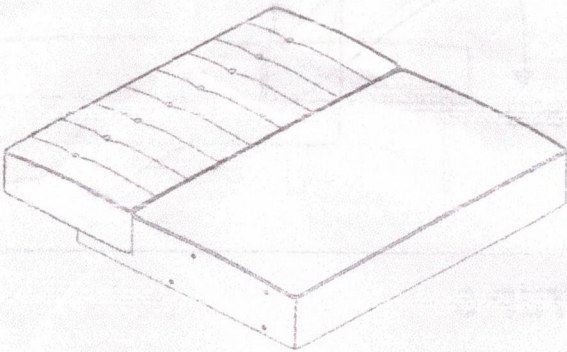
G 8 PCS



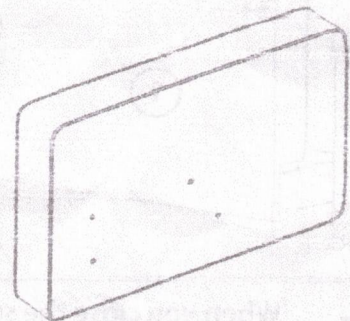
H 1 PC



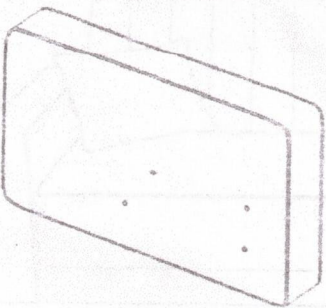
① 1 PC



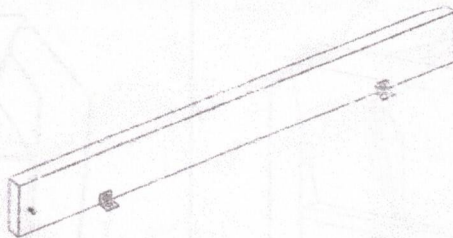
② 1 PC



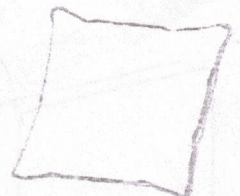
③ 1 PC



④ 1 PC



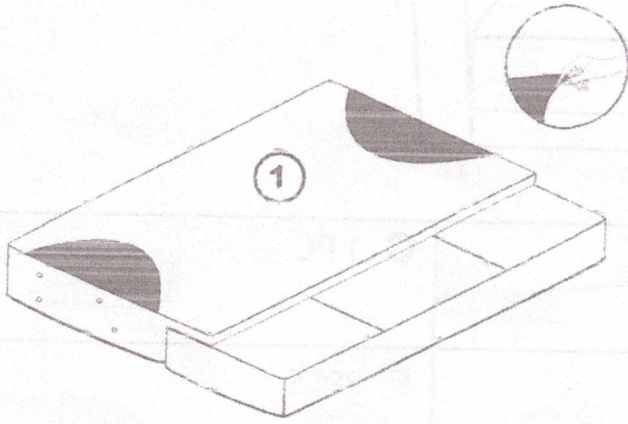
⑤ 2 PCS



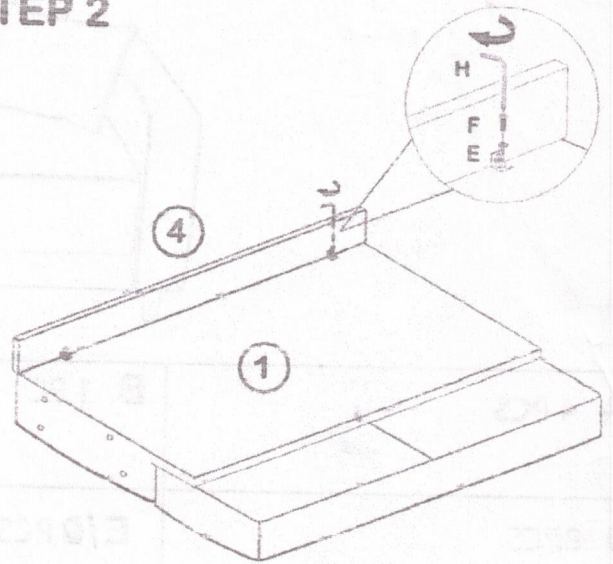
2 Assembly Instruction

Note: Decorative panels and handrails need to be adjusted in the corresponding positions before being twisted and fixed.

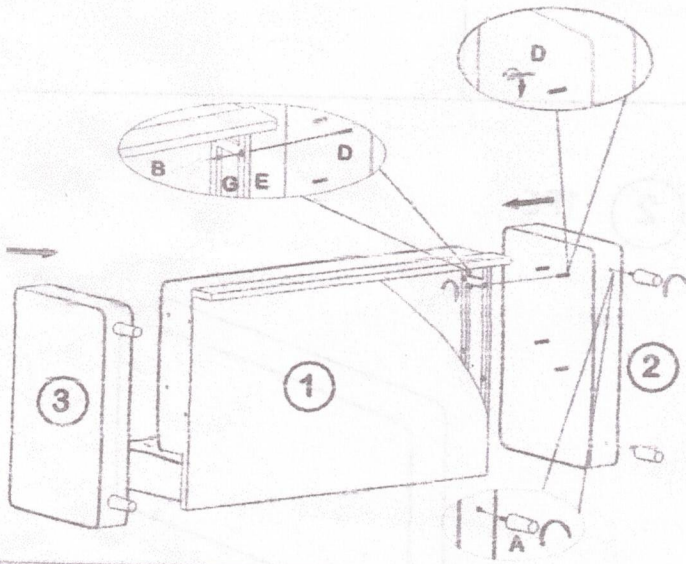
STEP 1



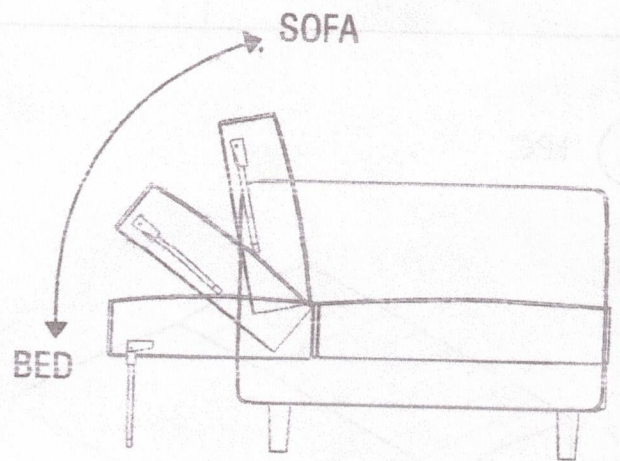
STEP 2



STEP 3

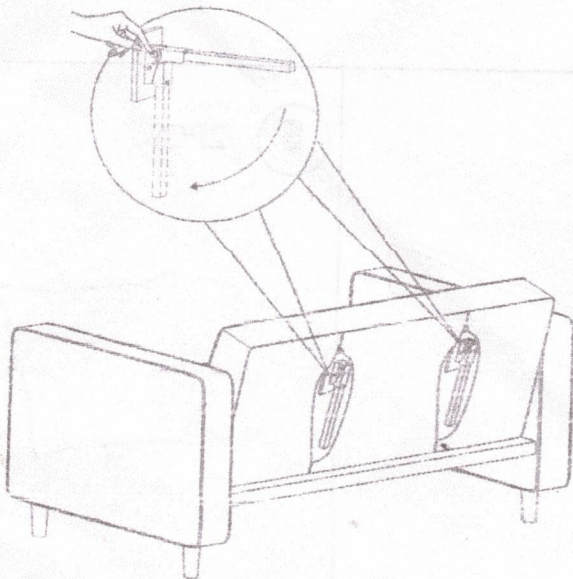


STEP 4



STEP 5

When you close the support leg. Please press the button on the left side of leg



STEP 6

