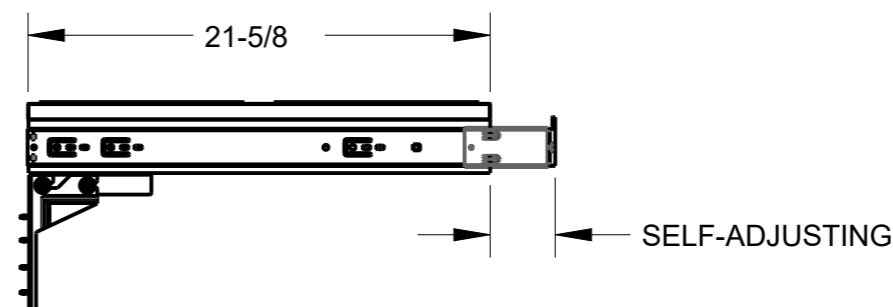
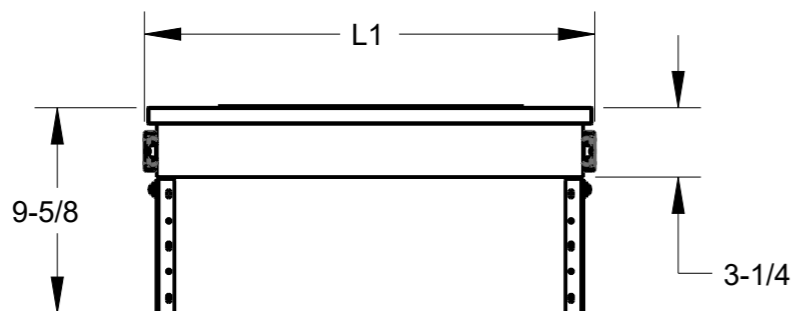
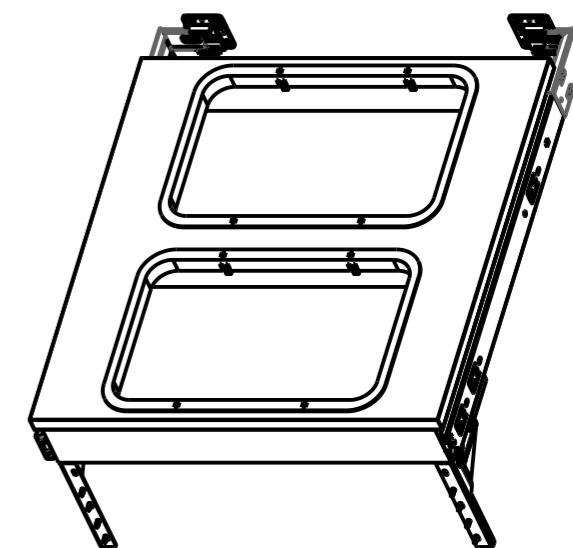
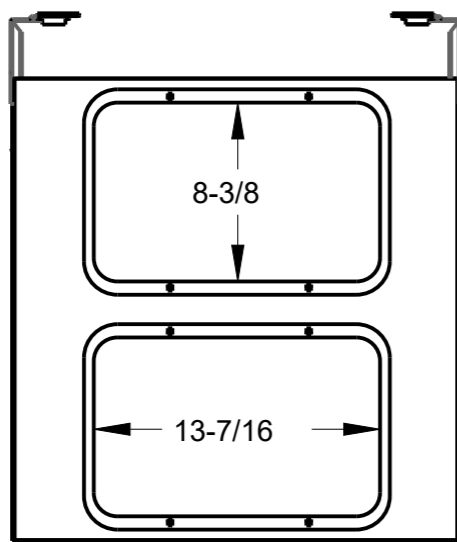


8 7 6 5 4 3 2 1

F  
E  
D  
C  
B  
A

NOTES:  
1. SEE CATALOG FOR FINISHES.



ITEM NUMBER	L1
CAN-TMDSC-18	18
CAN-TMDSC-21	21

**hardware  
resources**

HARDWARE RESOURCES RESERVES THE RIGHT TO CHANGE SPECIFICATIONS WITHOUT NOTICE. IN CASE OF A DISCREPANCY, ACTUAL PART GEOMETRY SUPERSEDES THIS DOCUMENT.

THE INFORMATION CONTAINED WITHIN THIS DRAWING IS THE SOLE PROPERTY OF HARDWARE RESOURCES INC. ANY REPRODUCTION IN PART OR WHOLE WITHOUT WRITTEN PERMISSION OF HARDWARE RESOURCES INC. IS PROHIBITED.

DOCUMENT STATUS **Released**

UNLESS OTHERWISE SPECIFIED DIMENSIONS ARE IN INCHES (IN)

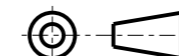
MATERIAL

N/A

FINISH

SEE NOTES

THIRD ANGLE PROJECTION



DATE

27JUN2023

DESCRIPTION

TOP MOUNT TRASH CAN, DOUBLE CAN

DRAWING NUMBER

CAN-TMDSC

REV

**A**

SIZE  
A3

SCALE  
0.111

SHEET  
1 / 1

8 7 6 5 4 3 2 1