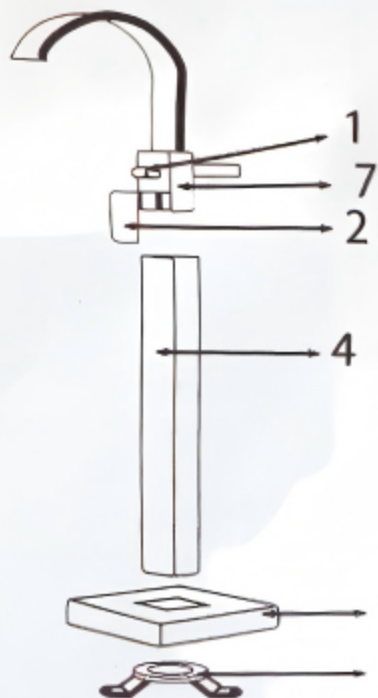


## Floor standing faucet installation instructions



- 1 Diverter
- 2 On/off
- 3 Decorative base
- 4 Stand column
- 5 Permanent seat
- 6 Shower handset
- 7 Faucet body
- 8 Screw
- 9 Flexible hoses
- 10 Shower hose

### Installation Step

- 1 Put up the faucet handle to the right side, then cold water out more to the Left side, the hot water out more to the right side.
- 2 The exchange switch is between faucet and hand shower to the left is for hand shower water out, and to the right is for the faucet water out.
- 3 Put 3 to 4
- 4 Fix 5 to 4
- 5 Tighten 6 to 7
- 6 Lock 4 to 7
- 7 Connect inlet water pipe to water out pipe, the left connect hot water, the right connect to cold water
- 8 Fix the floor standing faucet to the floor with bolt
- 9 Connect the hand shower and hose

