



furnishing better
lives together[®]

WWW.JOFRAN.COM

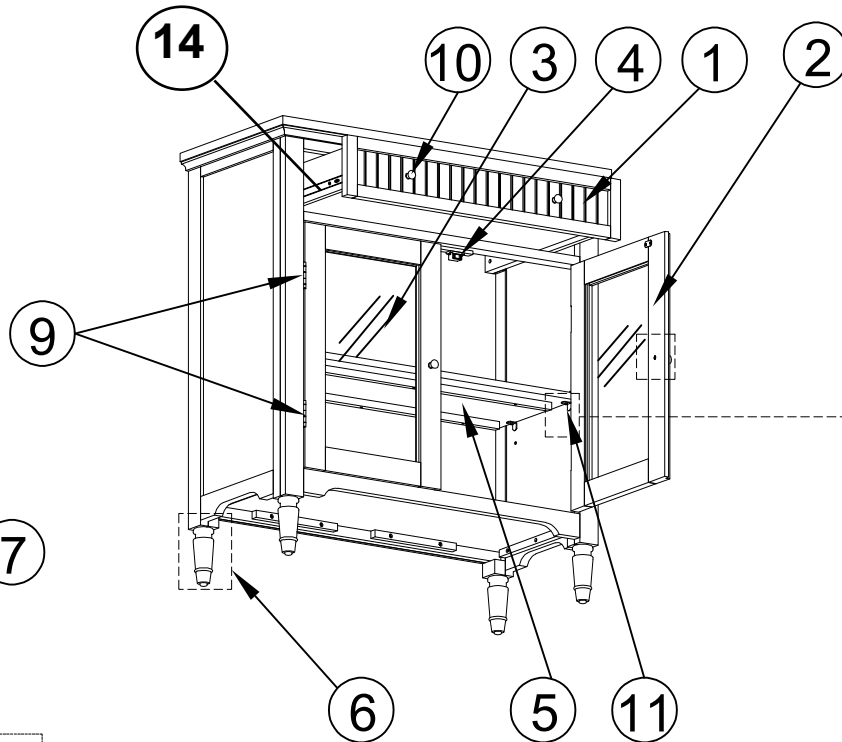
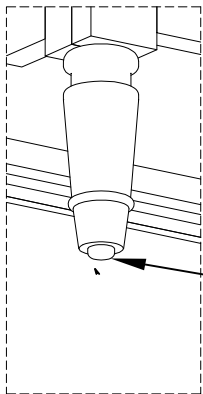
**ASSEMBLY INSTRUCTIONS &
PARTS IDENTIFICATION**
MODEL # 2545-32
WHITE FINISH

Thank you for purchasing this quality product. Be sure to check all packing material carefully for small parts that may have come loose inside the carton during shipment.

KEY COMPONENTS

No.	Code	Q'ty	Description	No.	Code	Q'ty	Description
1	2545-32P05	1 Pc	Drawer	7	2545P01F	4 Pcs	Floor glide
2	2545-32P07R	1 Pc	Right Facing Door	8	2545P01AT	1 Kit	Anti-tip kit
3	2545-32P07L	1 Pc	Left Facing Door	9	2545P07H	4 Pcs	Hinge
4	2545P01D	2 Pcs	Door catch	10	2545P04	4 Pcs	Drawer/Door Pull w/Screws
5	2545-32P08	1 Pc	Shelf	11	2545P08P	4 Pcs	Shelf pin
6	2545P02	4 Pcs	Leg	12	2545P06	2 Pcs	Extension Drawer Glide

Attaching the leg by
turning clockwise



Support screw must be
attached to the shelf.

