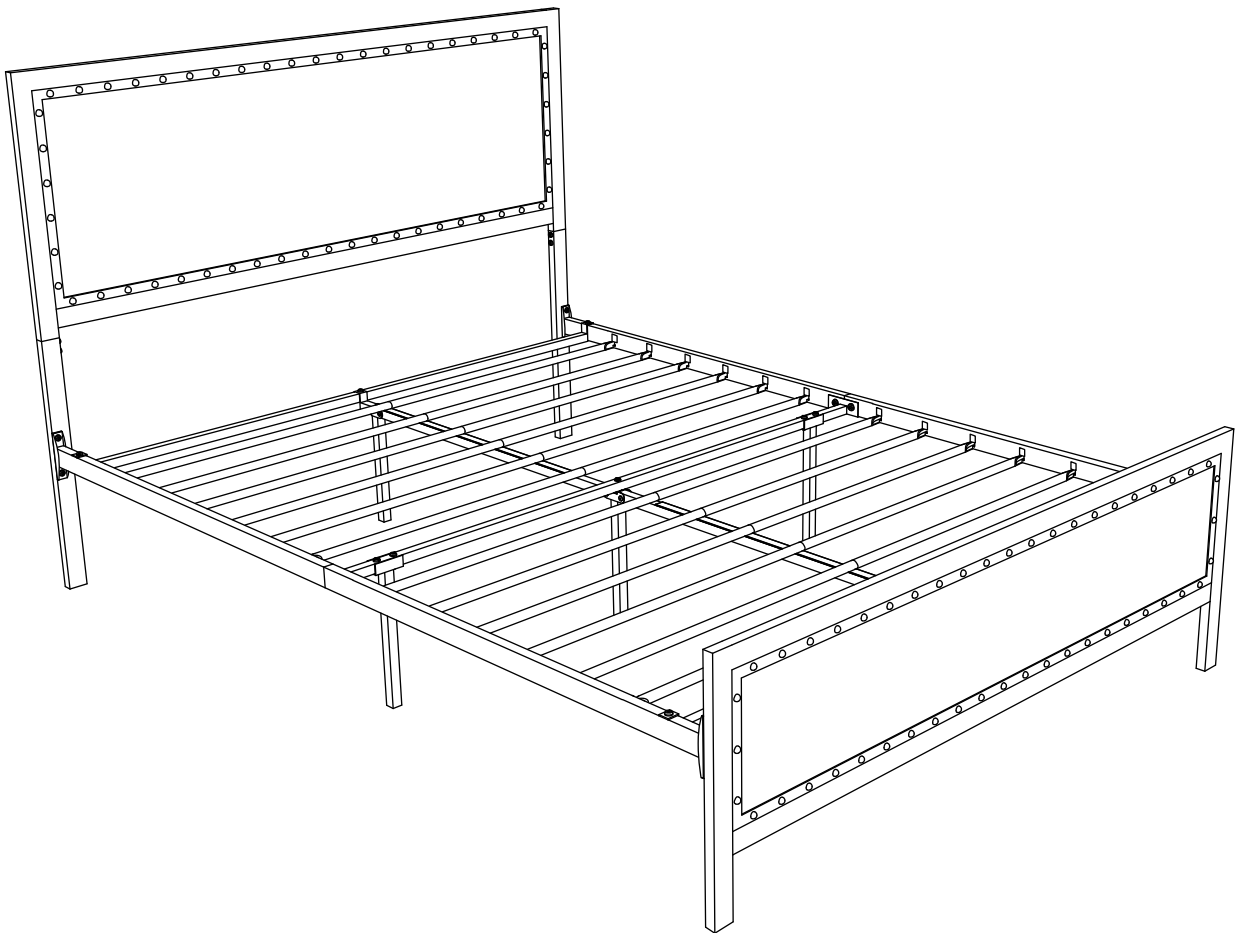


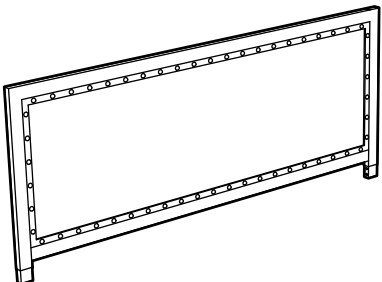
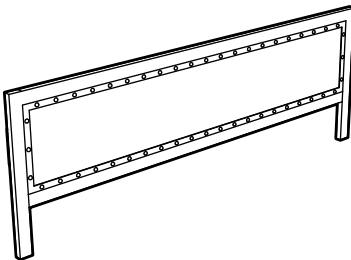
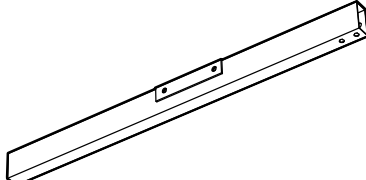
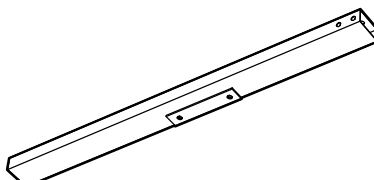
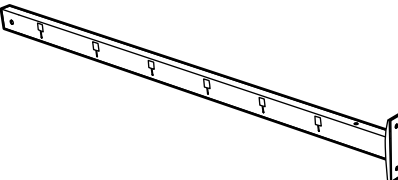
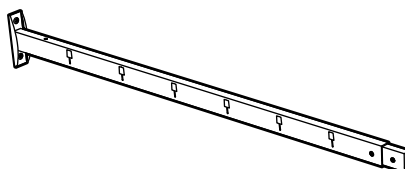
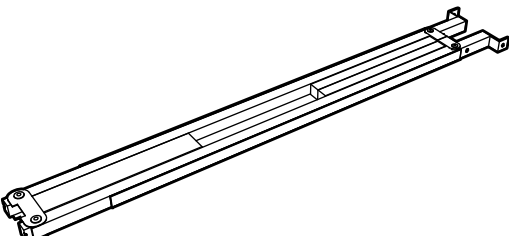
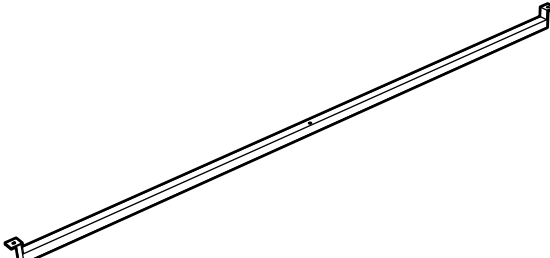
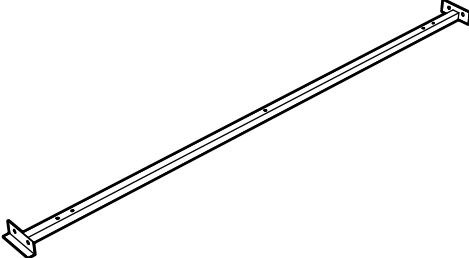
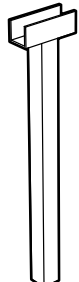
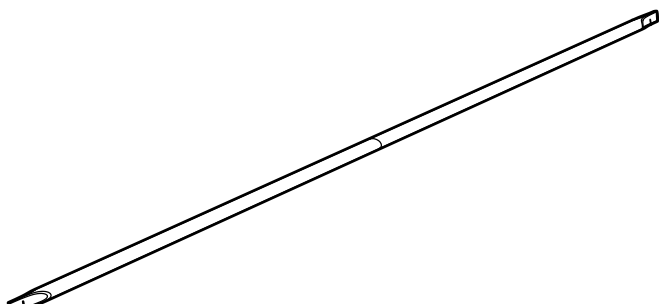
ORIGINAL INSTRUCTION MANUAL

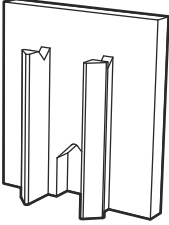
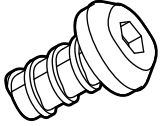
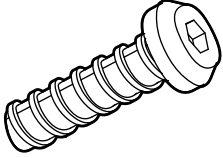
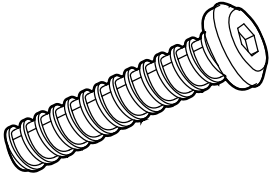
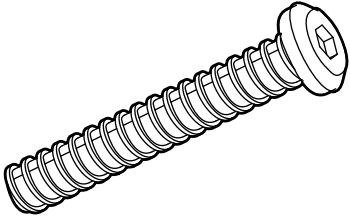
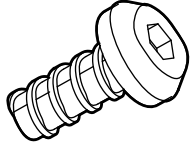
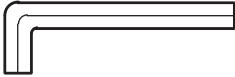
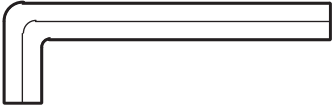


DEAR CUSTOMER,

Thank you for choosing our product. Please read this manual carefully before assembling or using the product, to avoid damage caused by improper use. If the product is passed on to third parties, this manual has to be passed on along with the product. For any question don't hesitate to contact us.

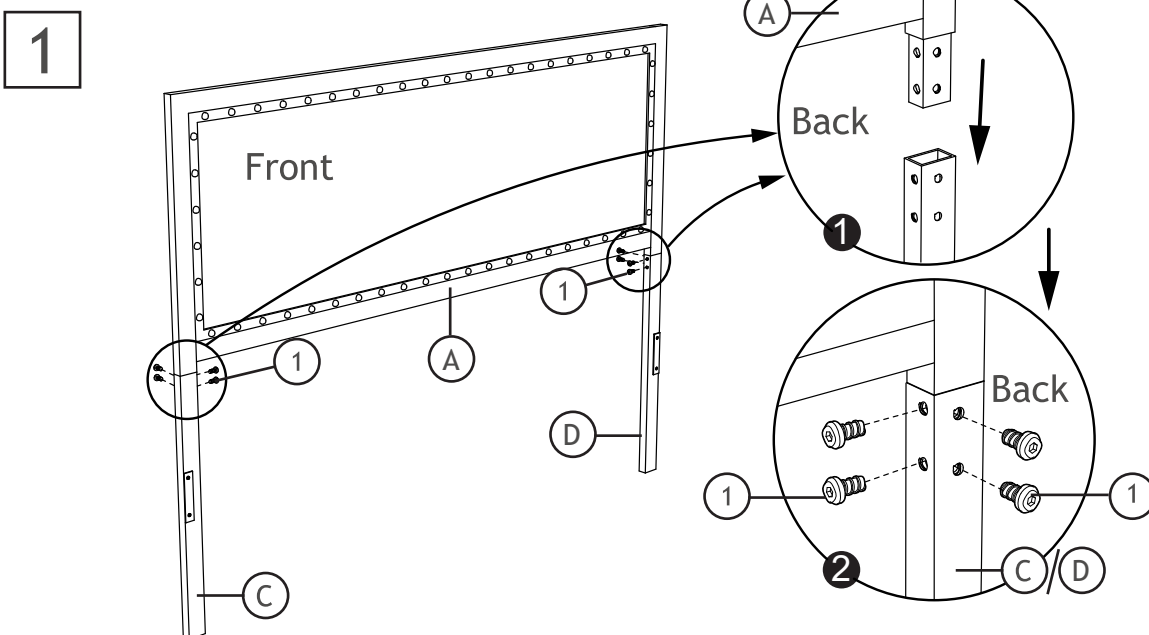
PARTS LIST

A  1×	B  1×	
C  1×	D  1×	E  2×
F  2×	G  1×	
H  2×	I  1×	
J  2×	K  12×	

L	24×1	22×2	4×
			
Plastic buckle		1/4"×13 MM	1/4"×25 MM
3	2×4	1×5	4×
			
1/4"×35 MM		1/4"×50 MM	M8×13 MM
6	1×7		1×
			
4MM		5MM	

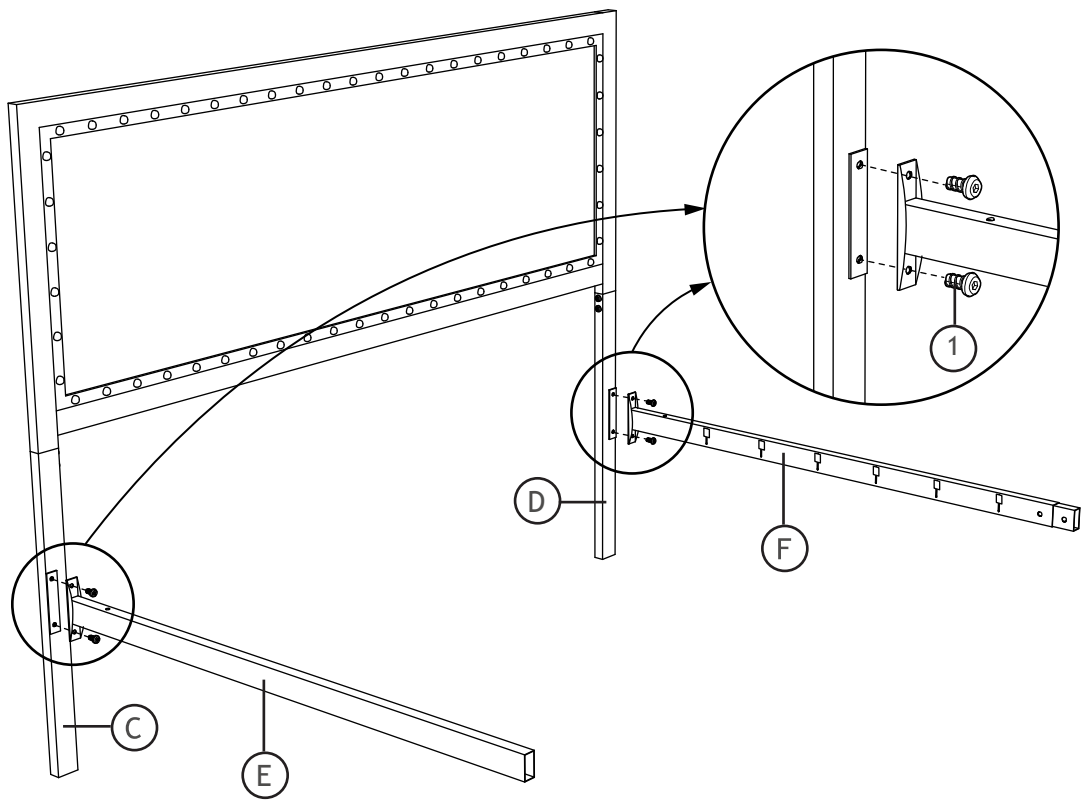
ASSEMBLY

Before your installation, please make sure that you have all the parts listed on the manual. If you find something missing, stop installing and contact your supplier immediately.

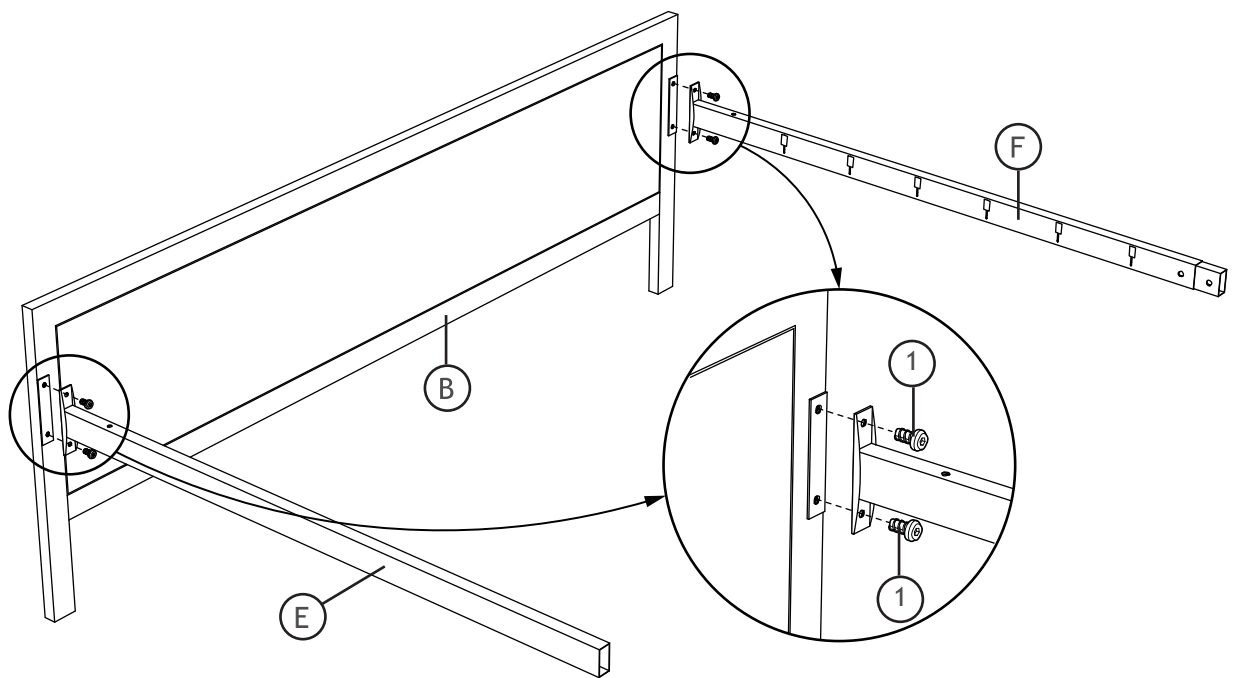


NOTE: When you install the headboard uprights(C,D), make sure the screw holes are on outside as the picture shows.

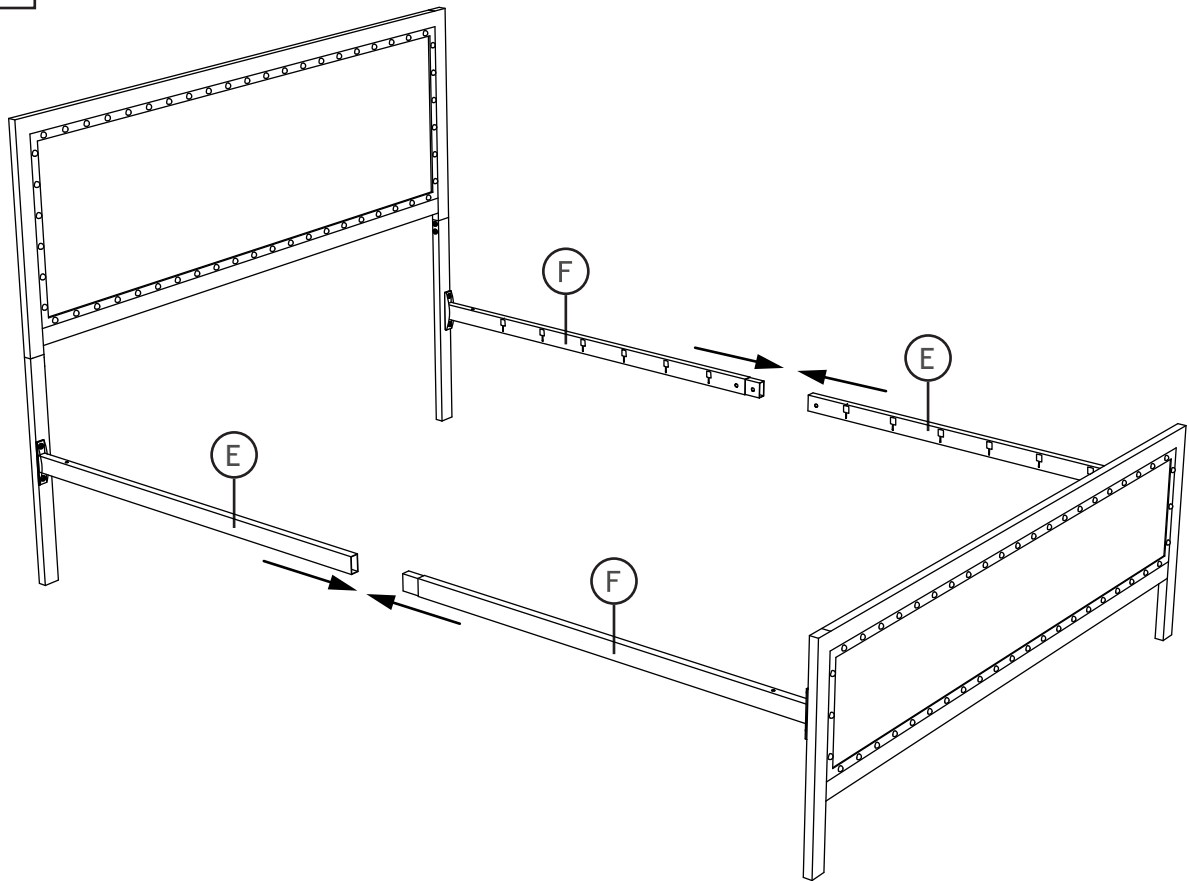
2



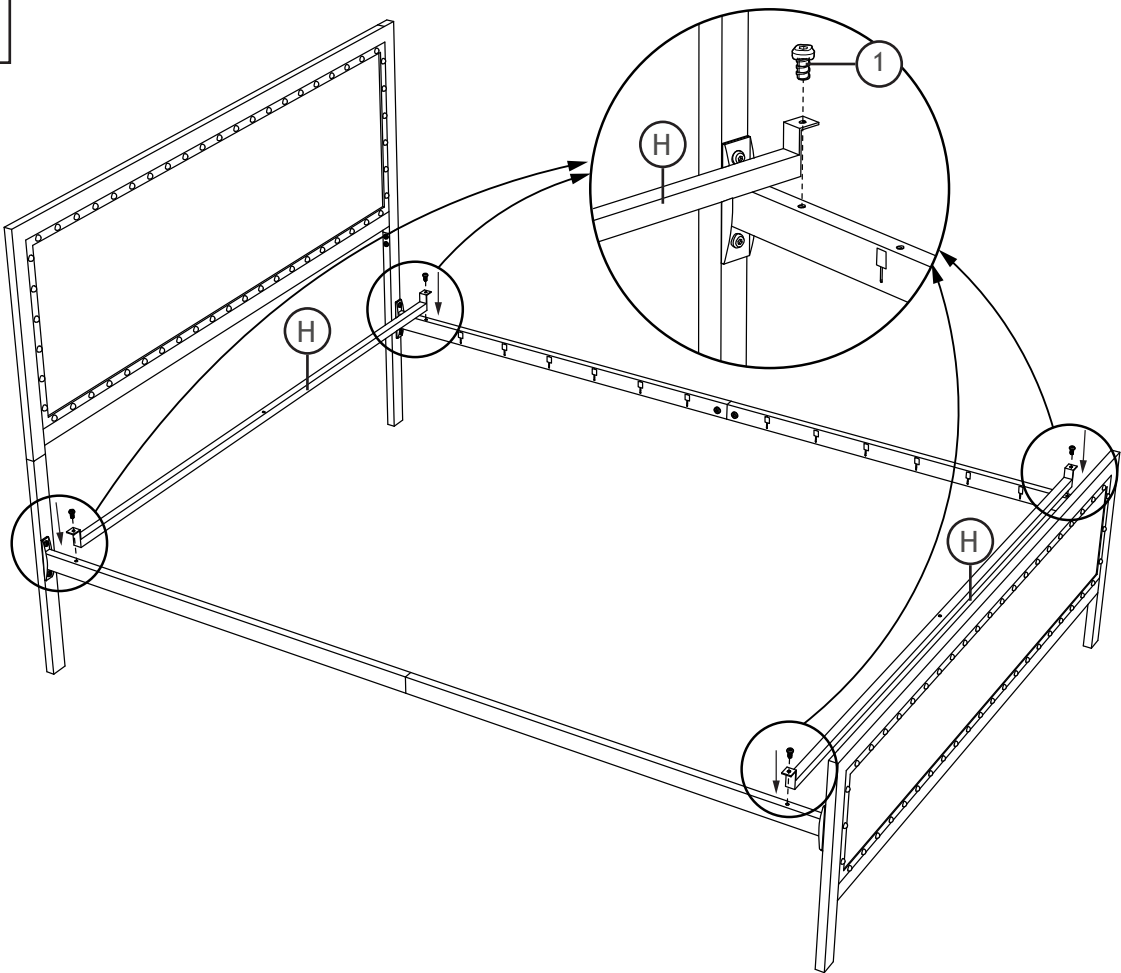
3



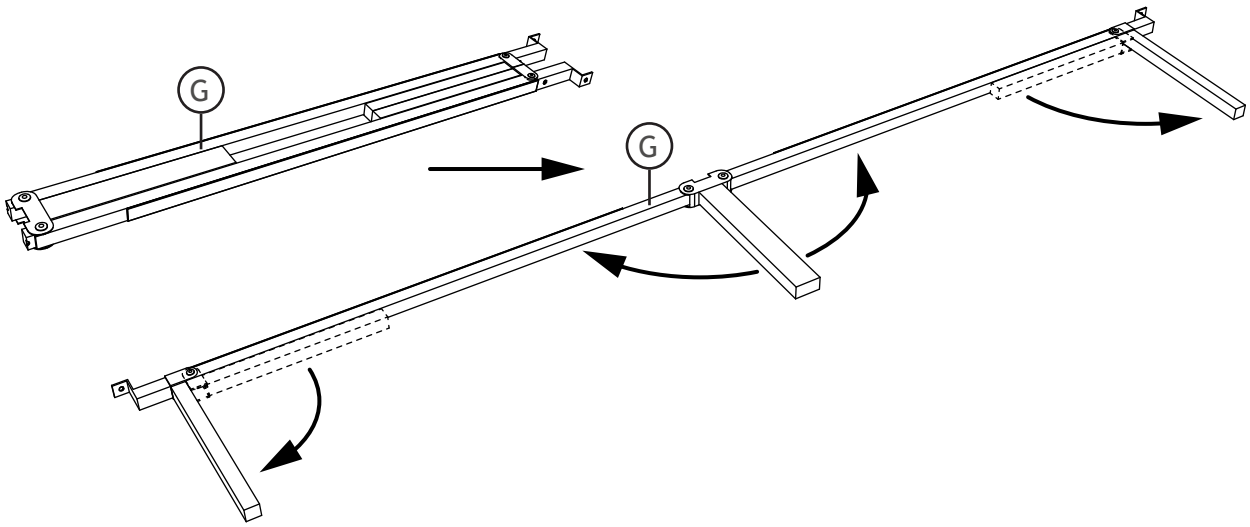
4



5

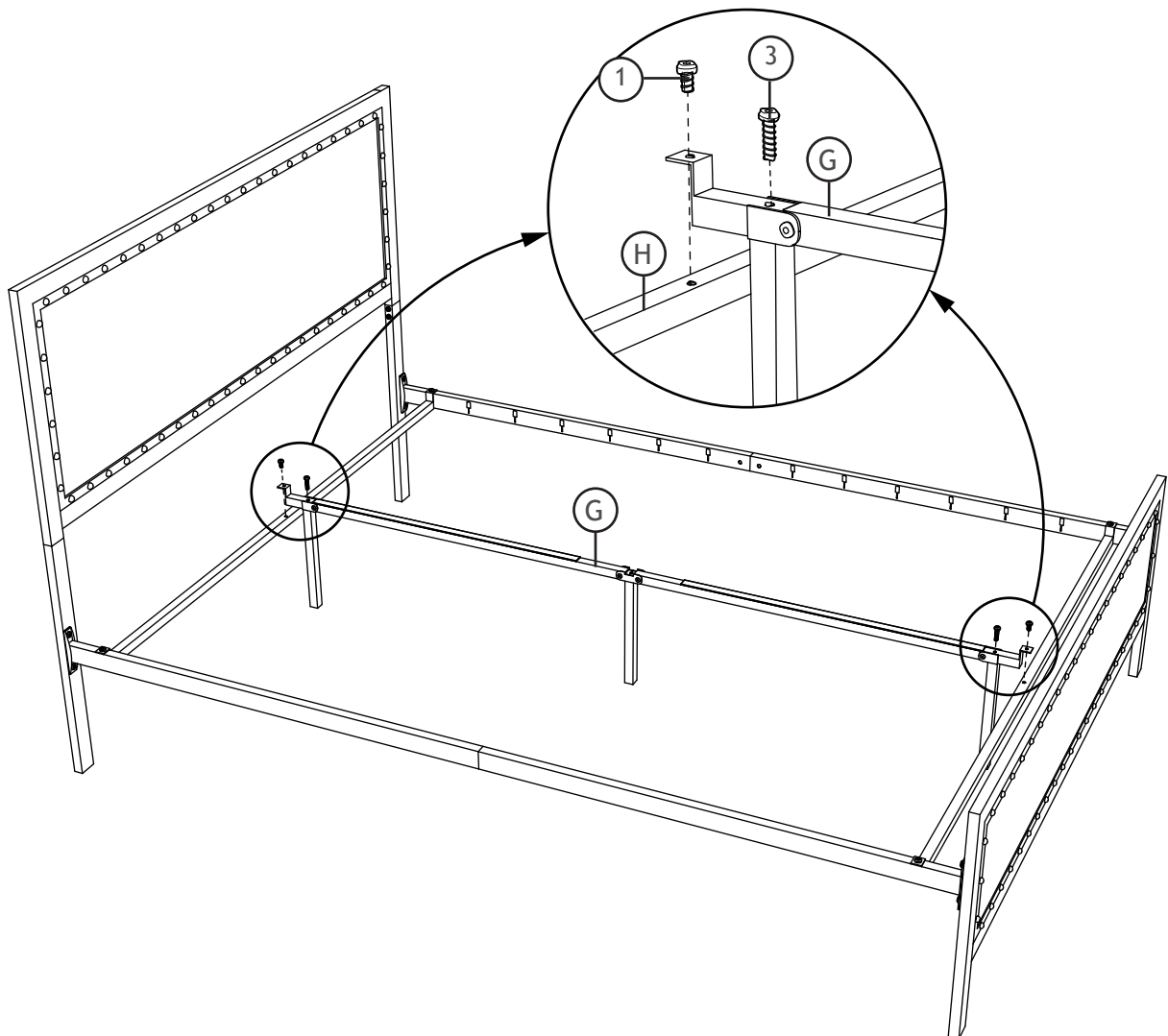


6

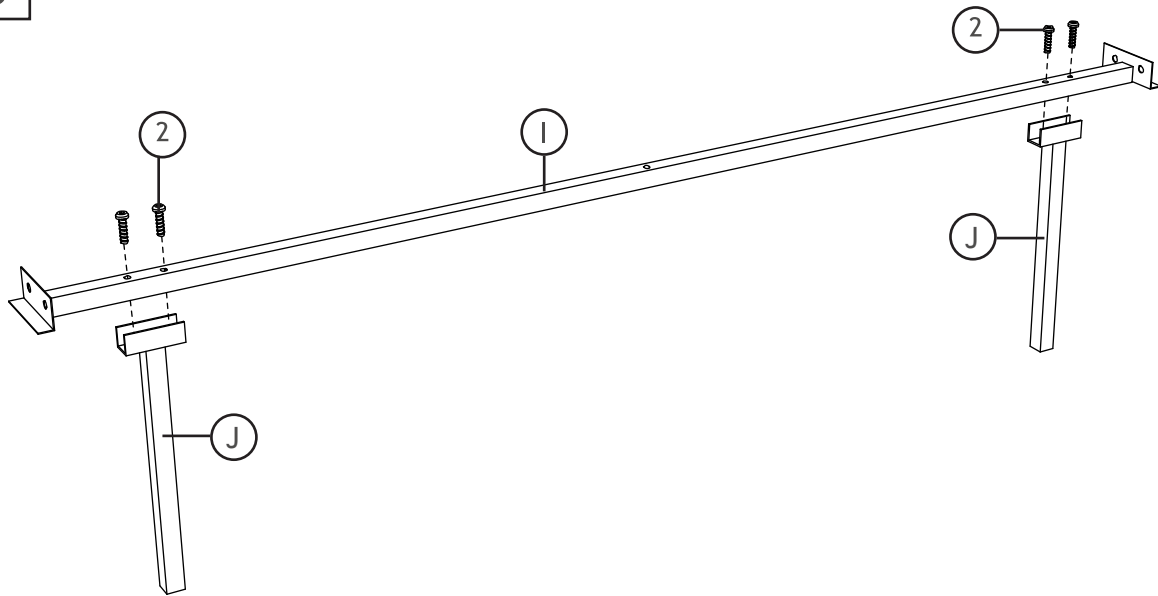


Expand the folded portion.

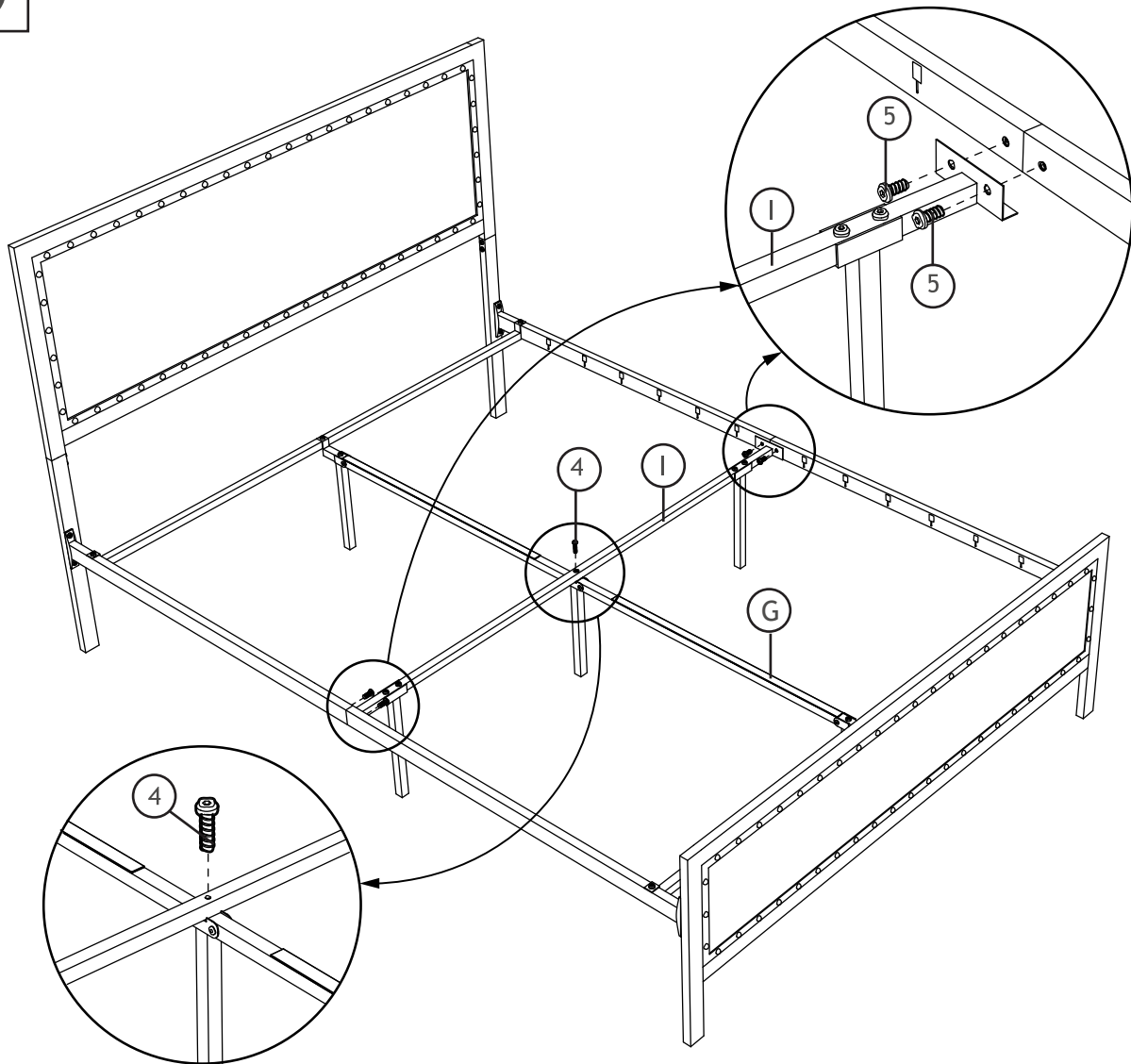
7



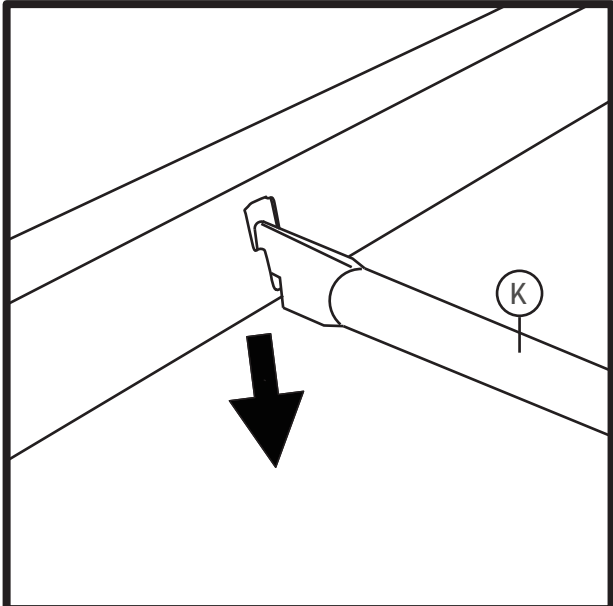
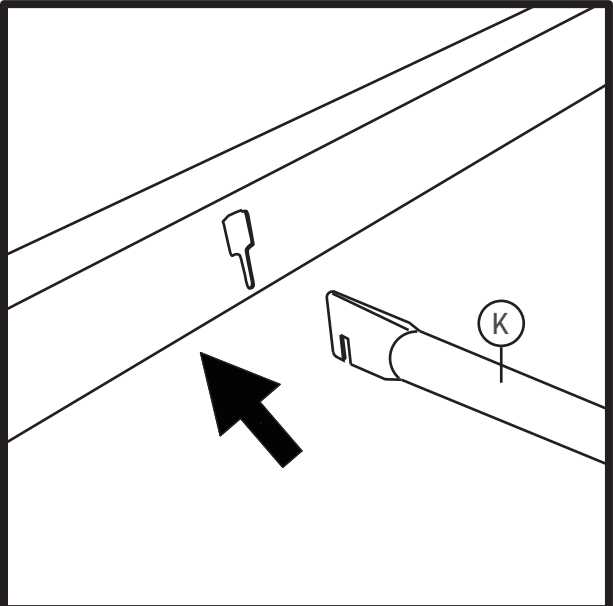
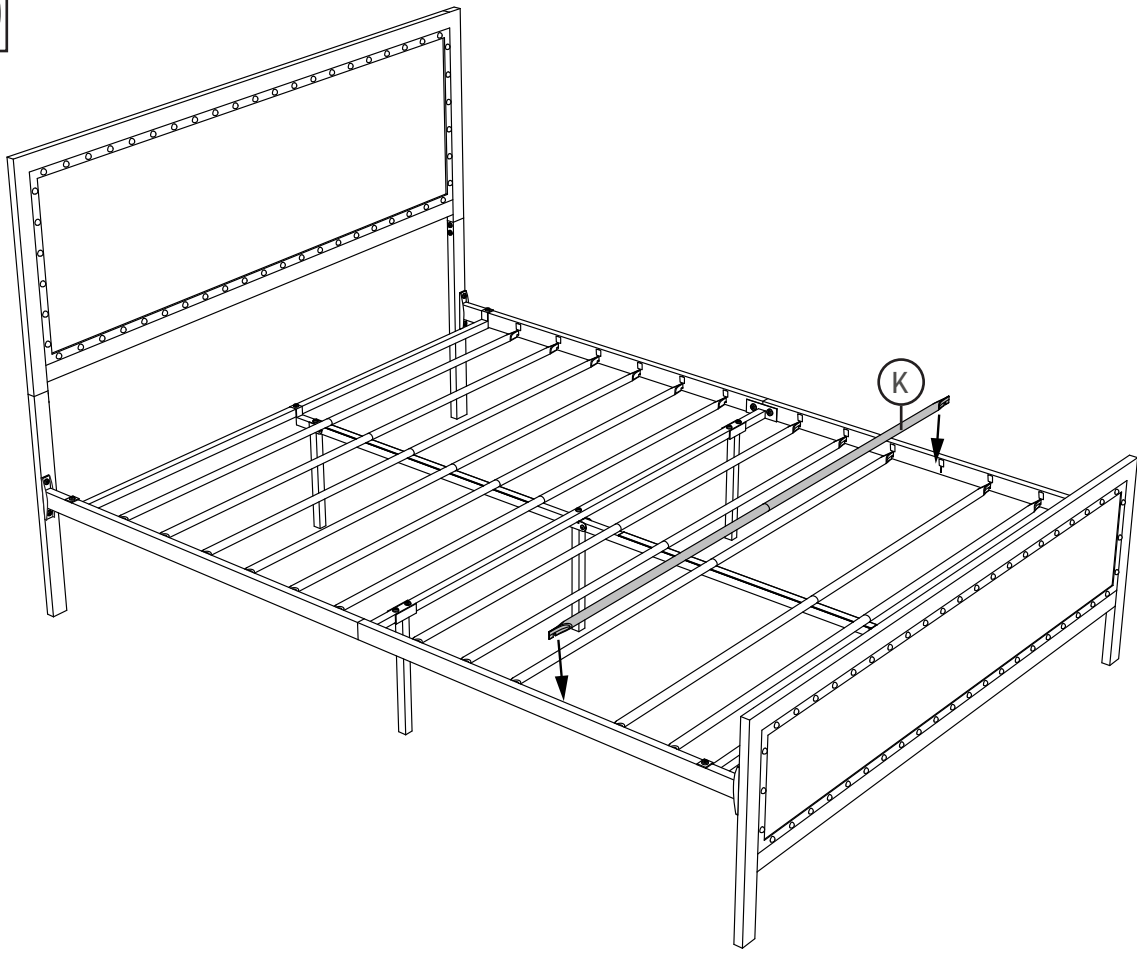
8



9



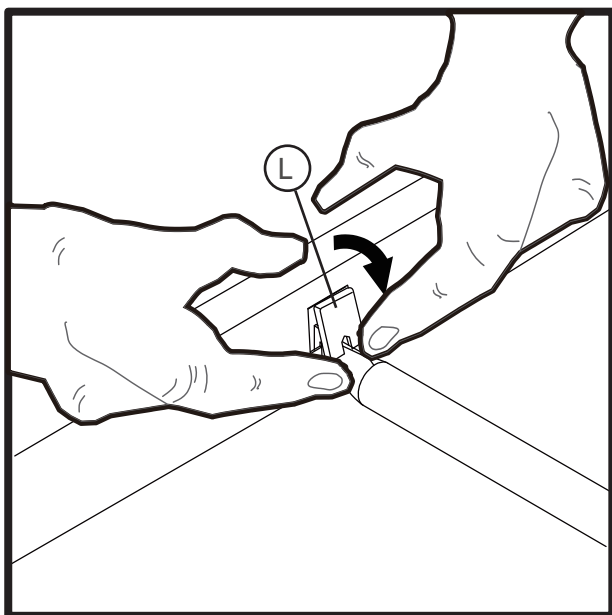
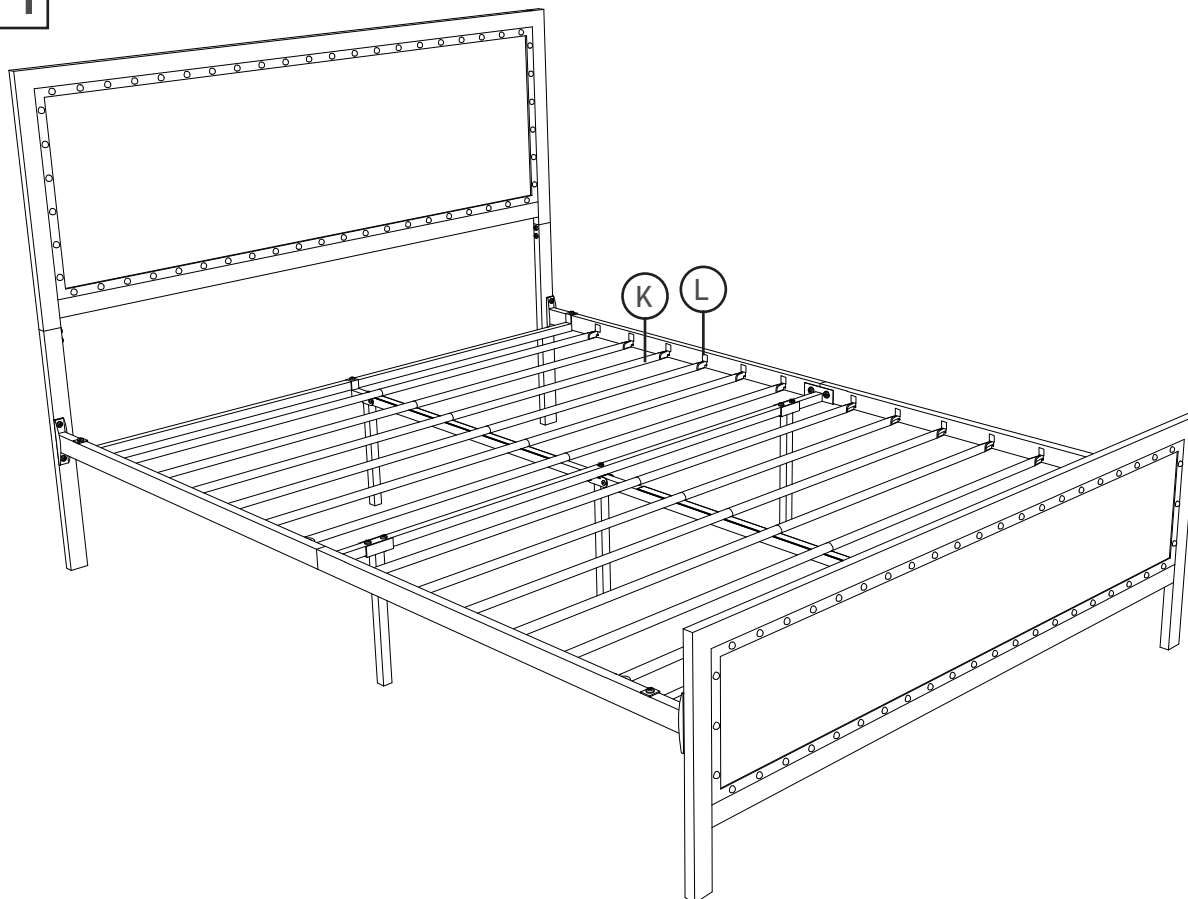
10



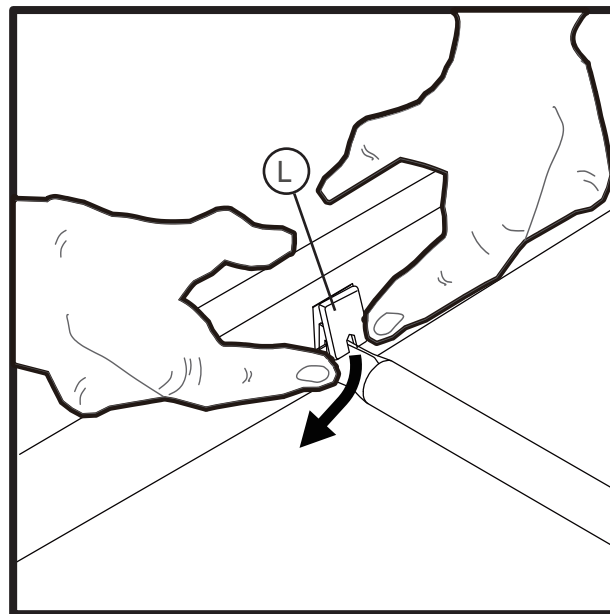
1. Insert slats (K) into the hole on sidebar in the correct orientation.

2. Push the slats (K) into the gaps.

11



1. Put the plastic buckle(L) into the lower part of the hole on 45 degree.



2. Press tight the upper part of buckles(L) to fix its position.