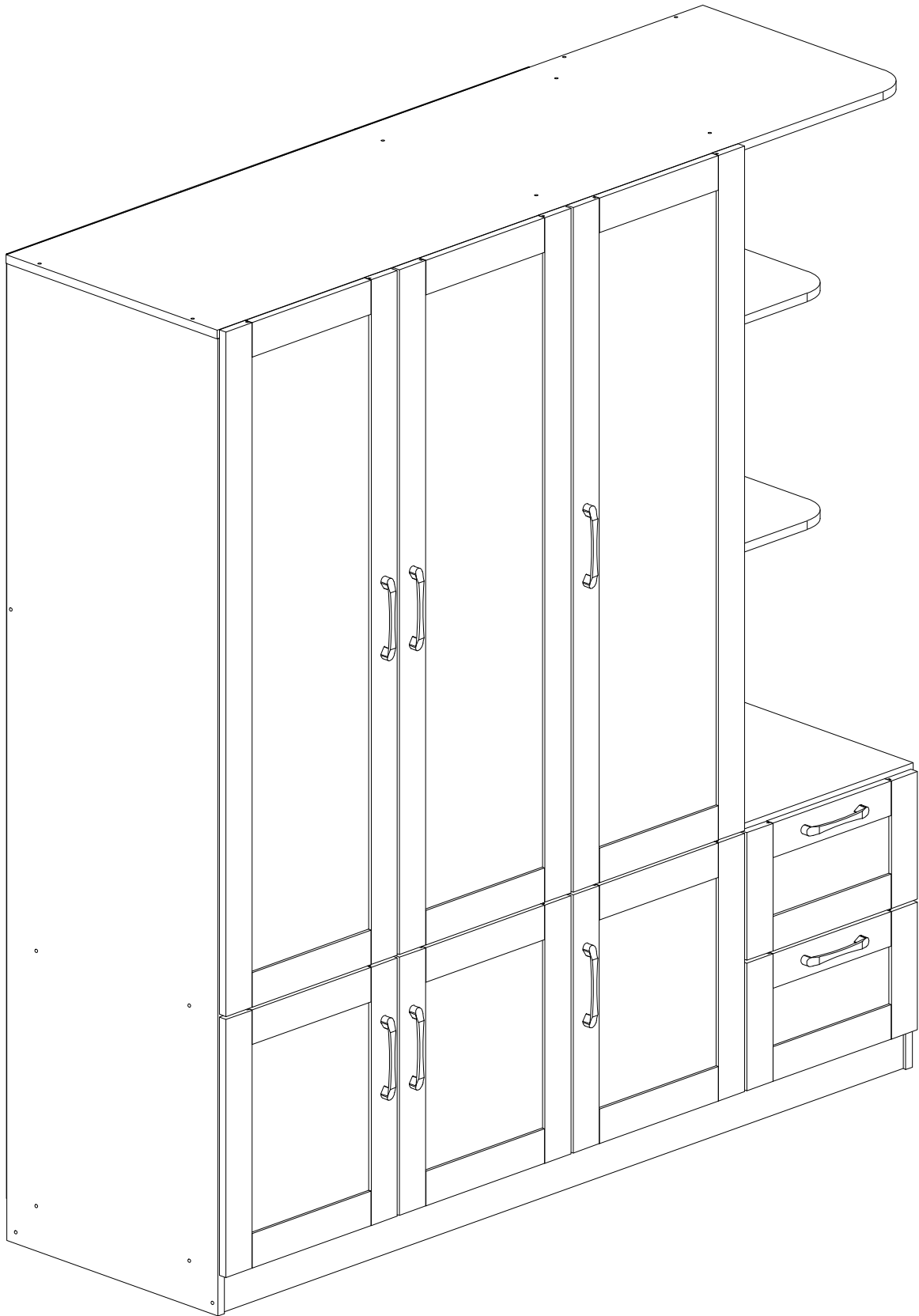


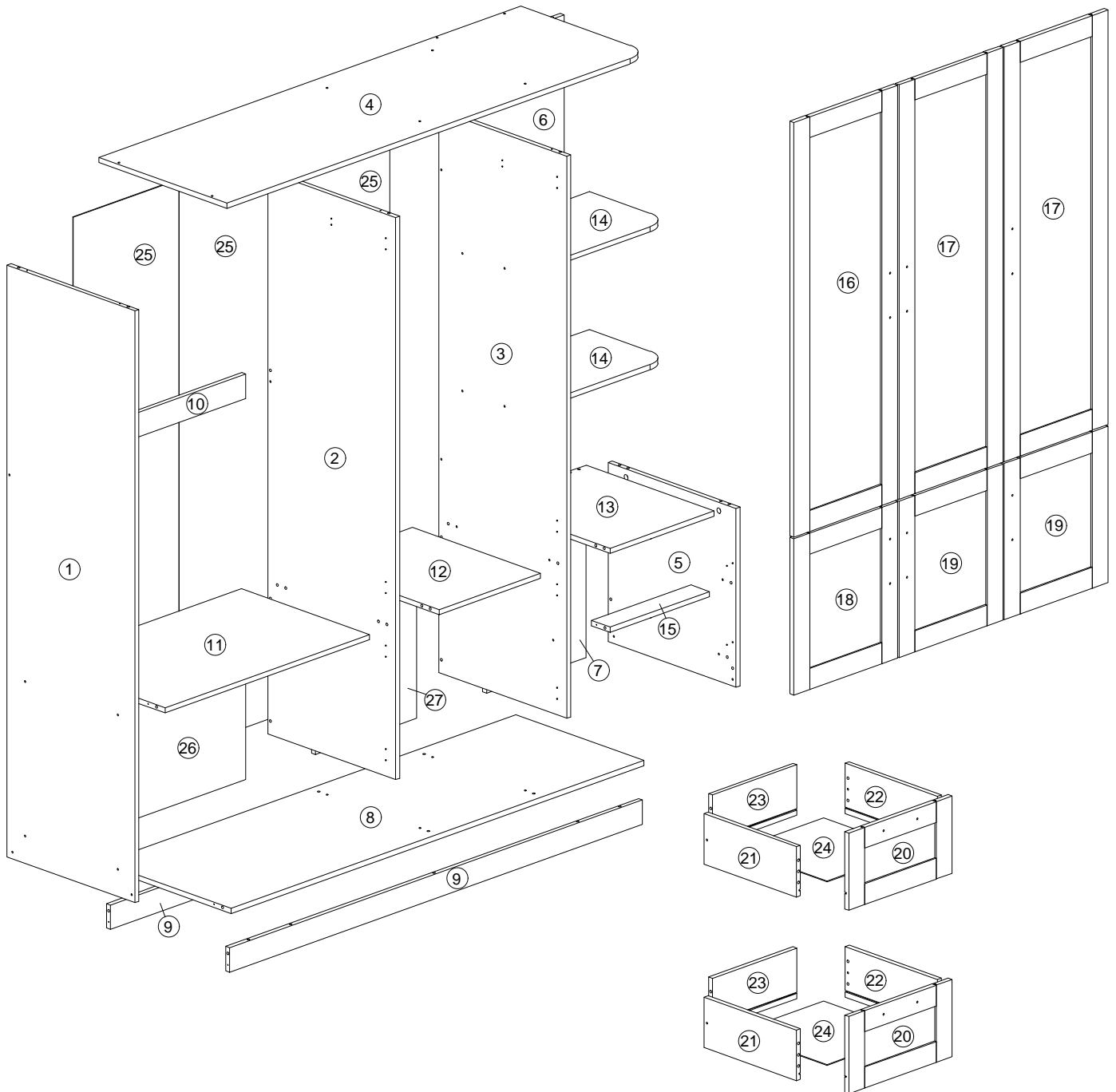
# Assembly Instruction

SKU CODE : N820P227982 / N820P227983 / N820P227984



# Assembly Instruction

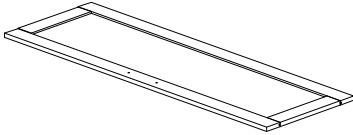
Detail :



# Assembly Instruction

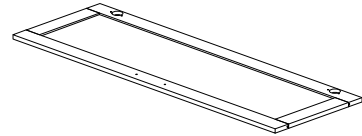
## Part List (N820P227982)

⑩ X 1



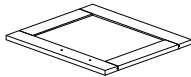
Door Panel Big - Left

⑪ X 2



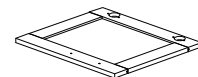
Door Panel Big - Right

⑫ X 1



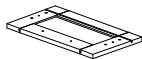
Door Panel Small - Left

⑬ X 2



Door Panel Small - Right

⑭ X 2

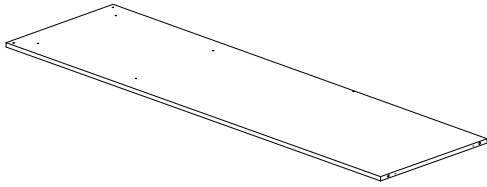


Drawer Front Panel

# Assembly Instruction

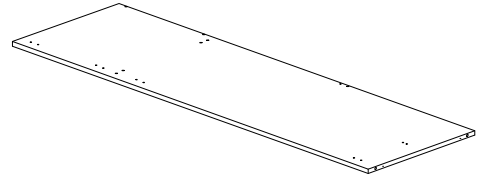
## Part List (N820P227983)

① X 1



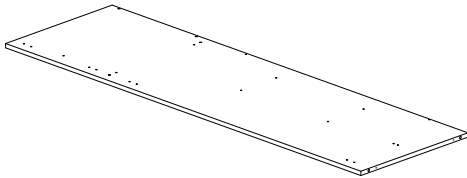
Side Panel - Left

② X 1



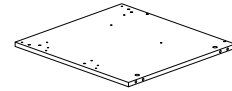
Center Panel Big - Center

③ X 1



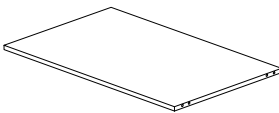
Center Panel - Right

⑤ X 1



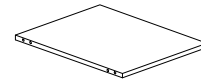
Side Panel - Right

⑪ X 1



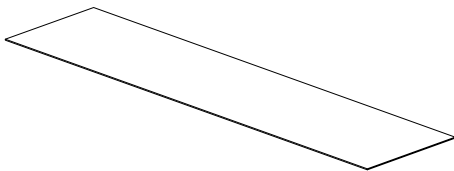
Partition Panel Big

⑫ X 1



Partition Panel - Center

⑳ X 3

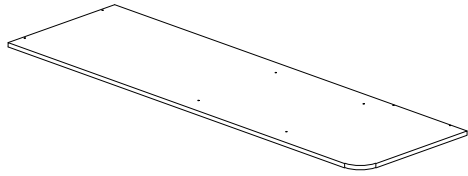


Back Panel

# Assembly Instruction

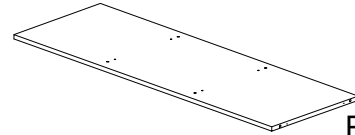
## Part List (N820P227984)

④ X 1



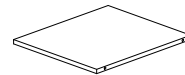
Top Panel

⑥ X 1



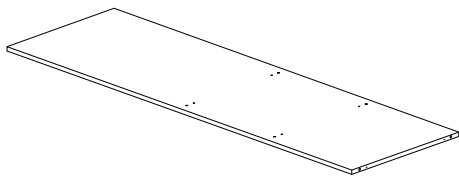
Side Back Panel Big - Right

⑦ X 1



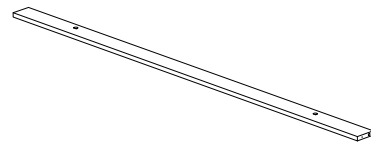
Side Back Panel Small - Left

⑧ X 1



Bottom Panel

⑨ X 2



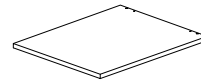
Bottom Support Panel

⑩ X 1



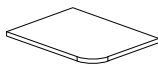
Support Panel - Left

⑬ X 1



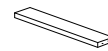
Top Panel Small

⑭ X 2



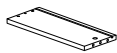
Partition Panel Small - Right

⑮ X 1



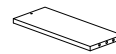
Support Front Panel

⑳ X 2



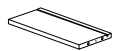
Drawer Side Panel - Left

㉒ X 2



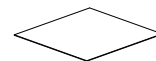
Drawer Side Panel - Right

㉓ X 2



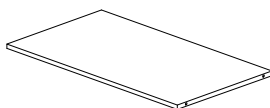
Drawer Back Panel

㉔ X 2



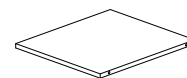
Drawer Bottom Panel

㉖ X 1



Bottom Back Panel Big

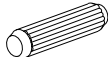


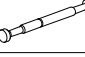
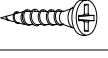
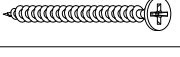
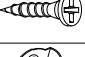

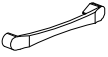

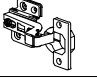
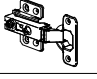


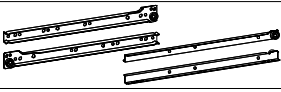
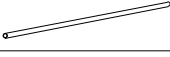
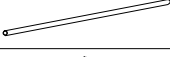


㉗ X 1



Bottom Back Panel Small





# Assembly Instruction

## Hardware List (N820P227984)

No.	SHAPE	DESCRIPTION	Qty.
A		8x25mm Dowel (Wood)	83Pcs
B		Minifix	16Pcs
C		33mm Myfix	12Pcs
D		63mm Myfix	2Pcs
E		M3.5x16mm Screw	108Pcs
F		M4x45mm Screw	44Pcs
G		M3.5x12mm Screw	12Pcs
H		V Bracket	4Pcs
I		Handle KT59.128	8Pcs
J		M4x28mm Screw	16Pcs
K		Hinges 2/8	8Pcs
L		Hinges 5/8	4Pcs
M		5/8 Nail With Pin	8Pcs
N		6/8 Power Pin	43Pcs
O		Drawer Slide (350mm)	2Sets
P		Aluminium Pipe(767mm)	1Pc
Q		Aluminium Pipe(377mm)	1Pc
R		L Bracket	4Pcs
S		Sticker	12Pcs

# Assembly Instruction

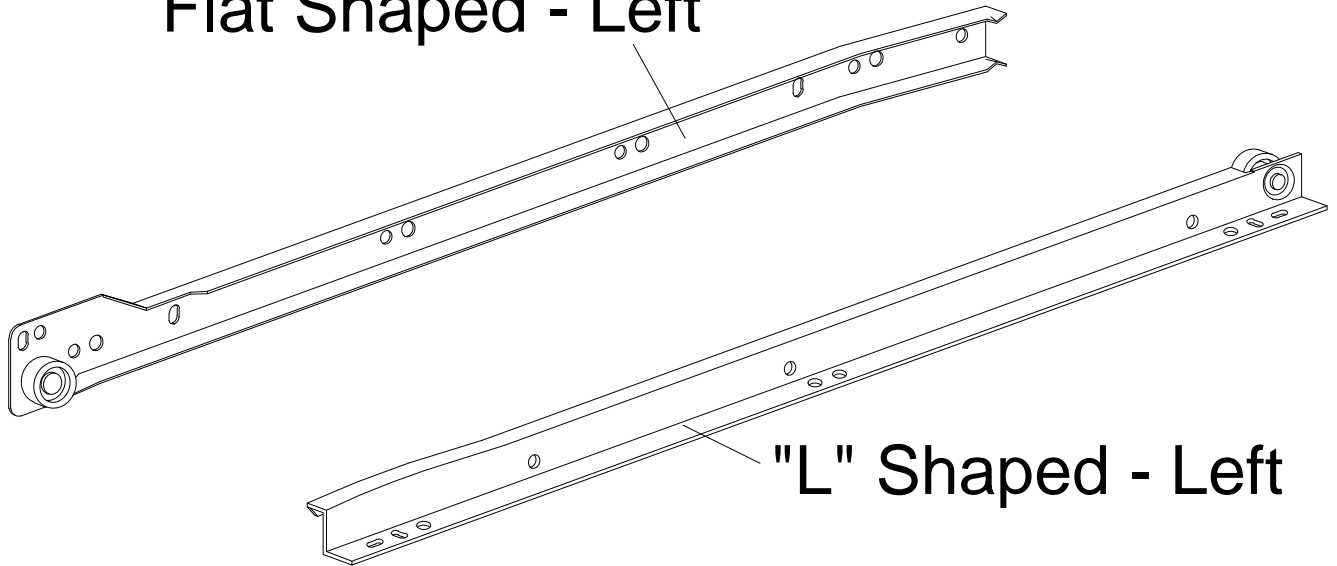
## Anti Tipping Hardware (N820P227984)

No.	SHAPE	DESCRIPTION	Qty.
a		Mounting Bracket	2Pcs
b		TP 6# x 5/8" Screw	1Pc
c		TP 8# x 2" Screw	1Pc
d		Restraint Strap	1Pc

# Assembly Instruction

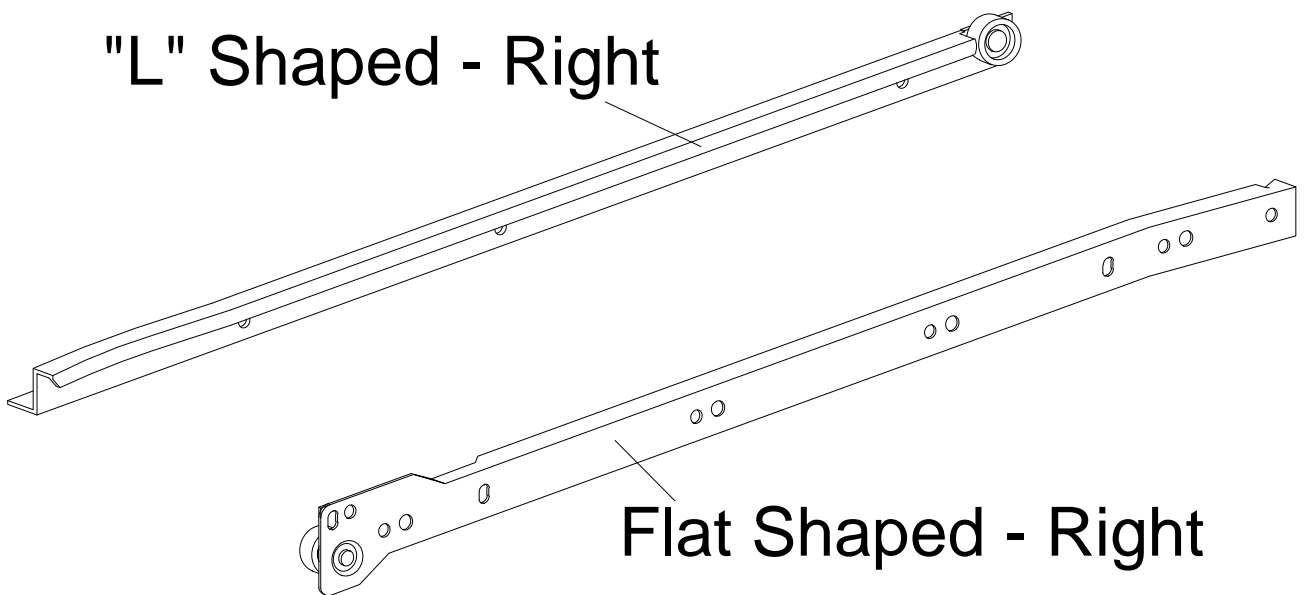
## Left Drawer Silde (O)

Flat Shaped - Left



## Right Drawer Silde (O)

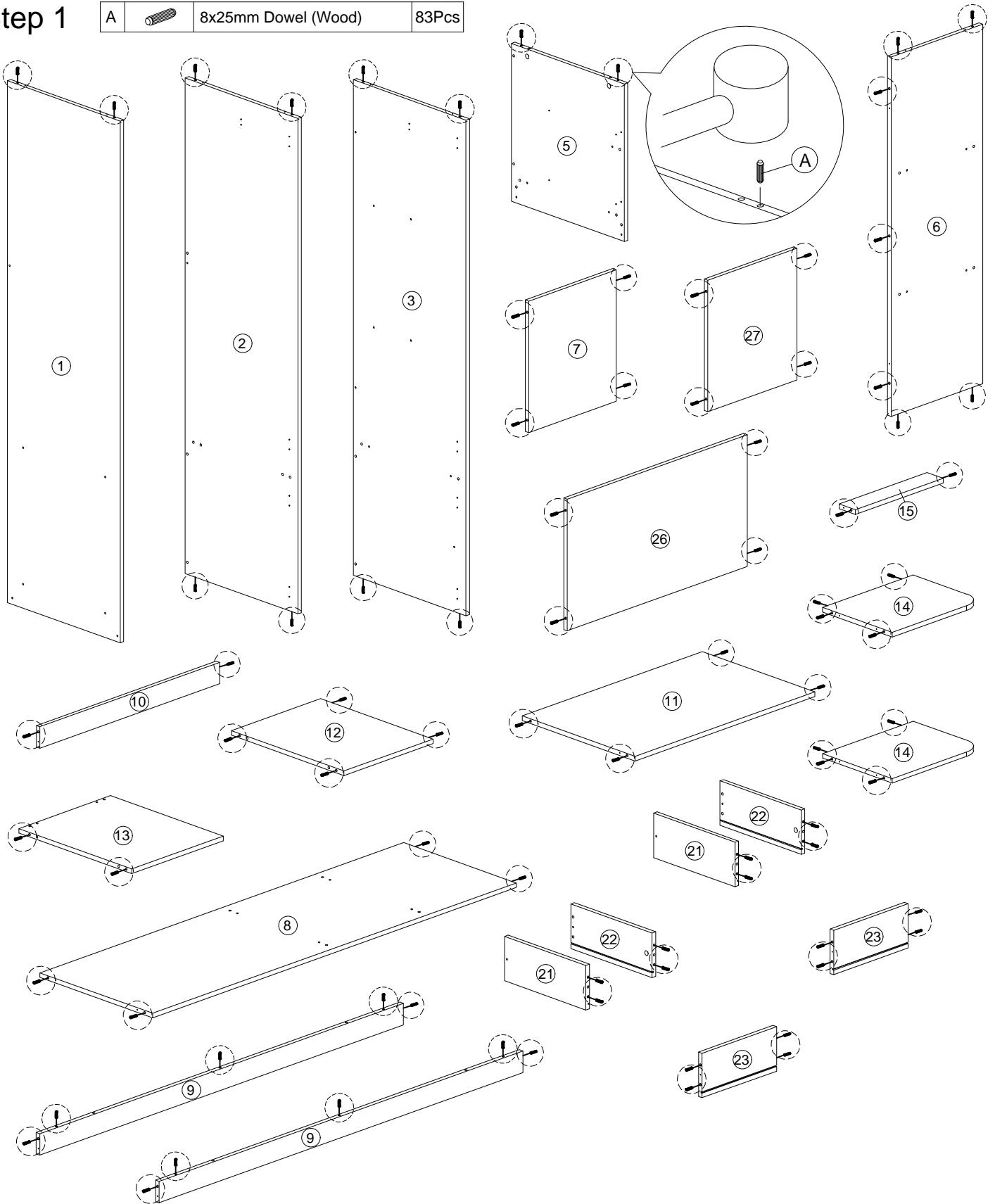
"L" Shaped - Right



# Assembly Instruction

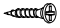
## Step 1


A		8x25mm Dowel (Wood)	83Pcs
---	---	---------------------	-------

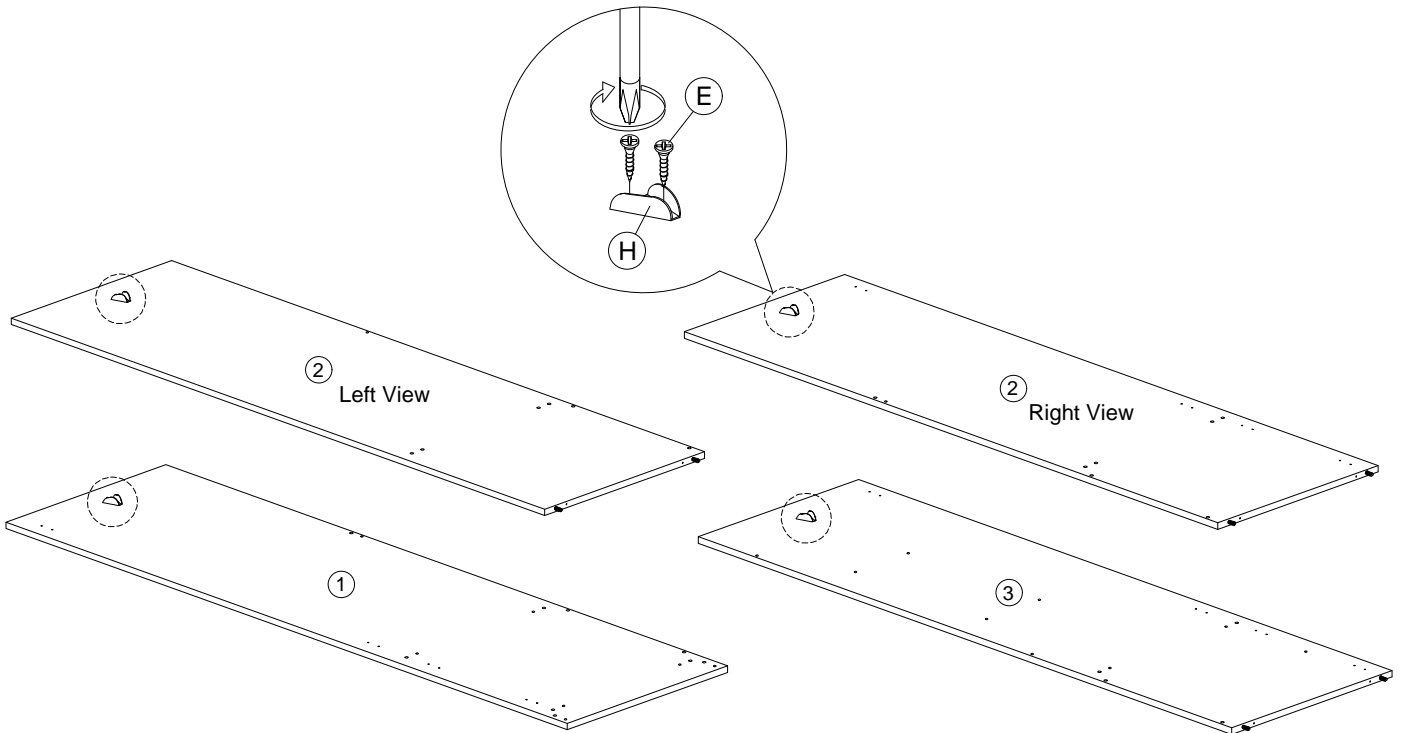


# Assembly Instruction



## Step 2


E		M3.5x16mm Screw	8Pcs
---	---	-----------------	------

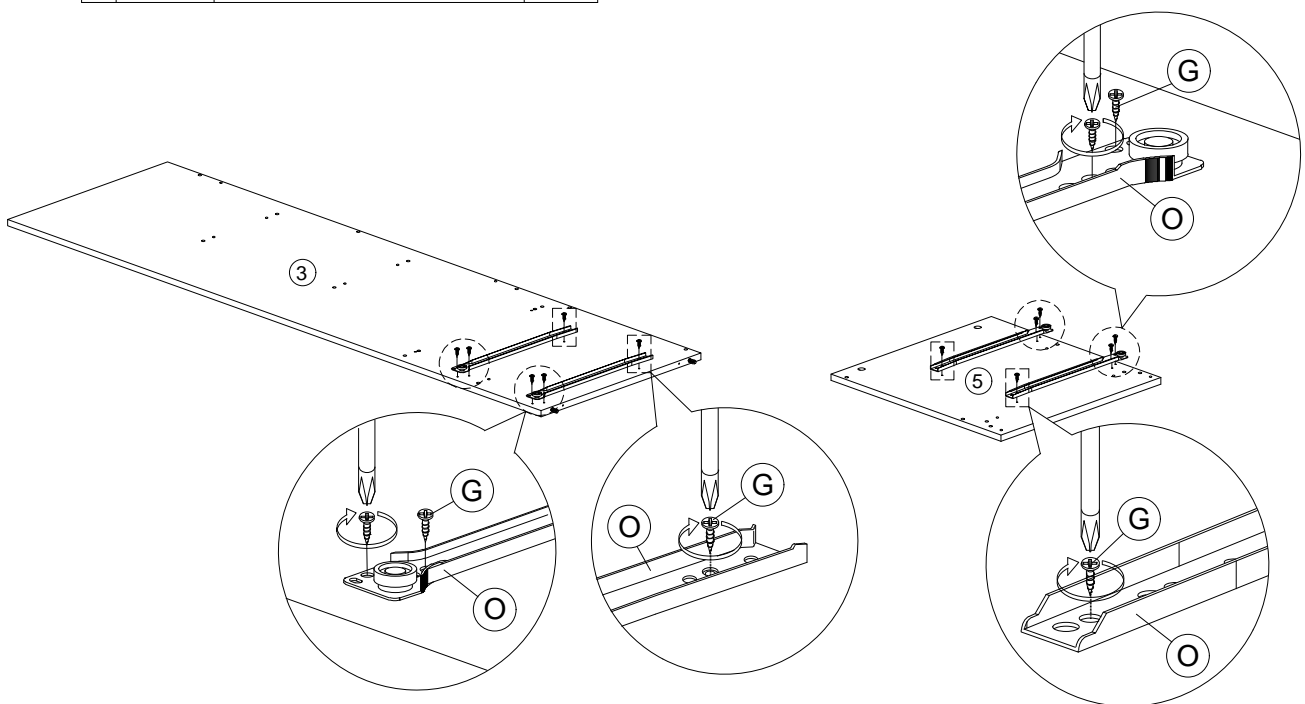
H		V Bracket	4Pcs
---	---	-----------	------



## Step 3

G		M3.5x12mm Screw	12Pcs
O		Drawer Slide 350mm - R	2Pcs

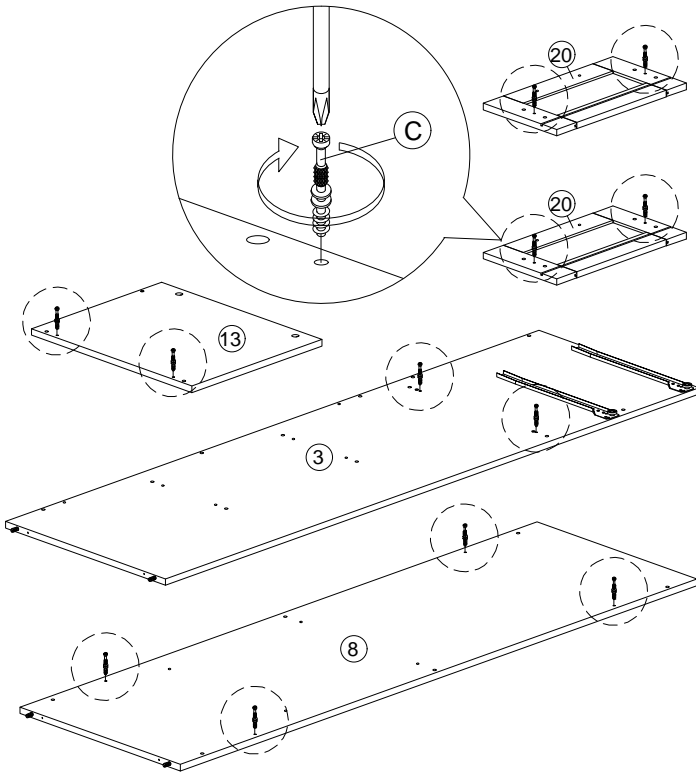
O		Drawer Slide 350mm - L	2Pcs
---	---	------------------------	------



# Assembly Instruction

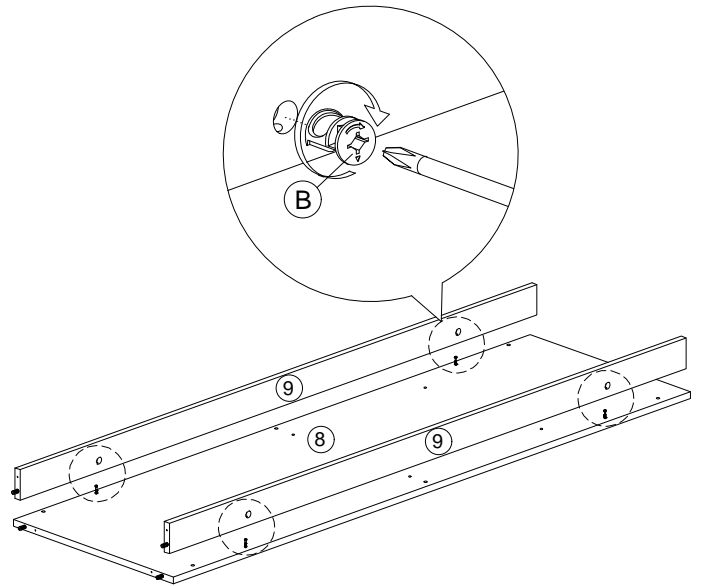
## Step 4

C		Myfix	12Pcs
---	---	-------	-------





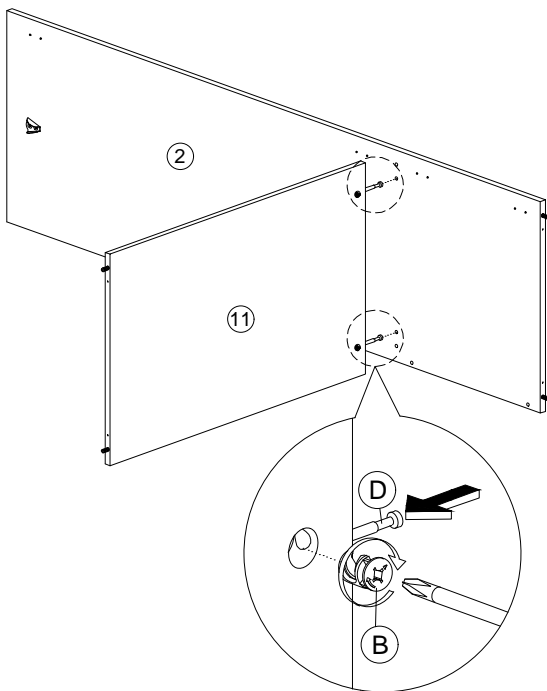
## Step 5

B		Minifix	4Pcs
---	---	---------	------



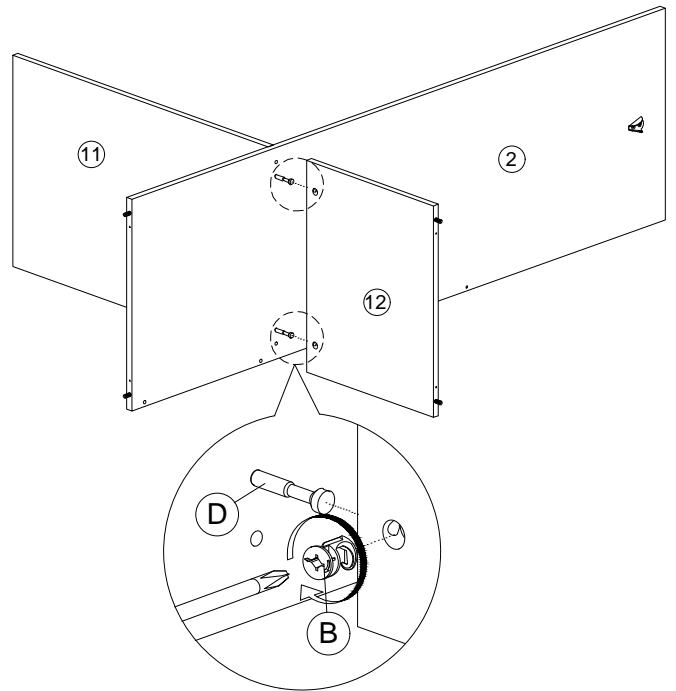
## Step 6

B		Minifix	2Pcs
D		63mm Myfix	2Pcs




## Step 7

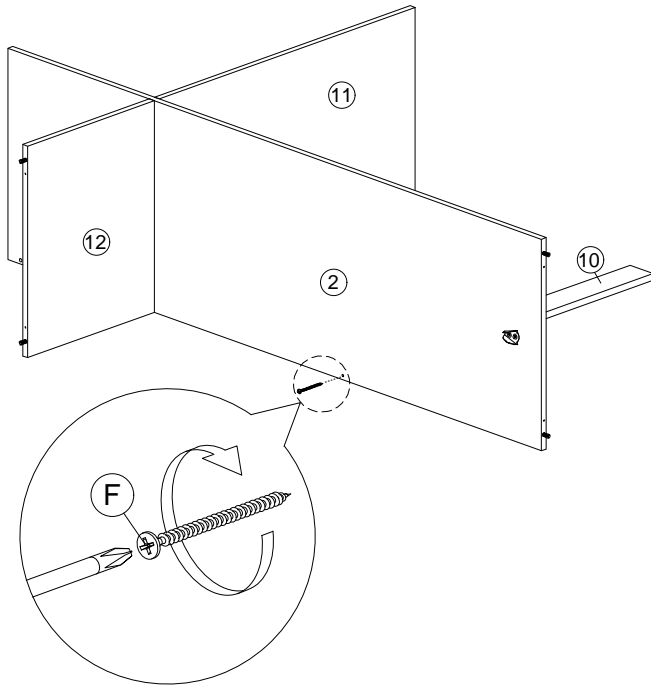
B		Minifix	2Pcs
---	---	---------	------



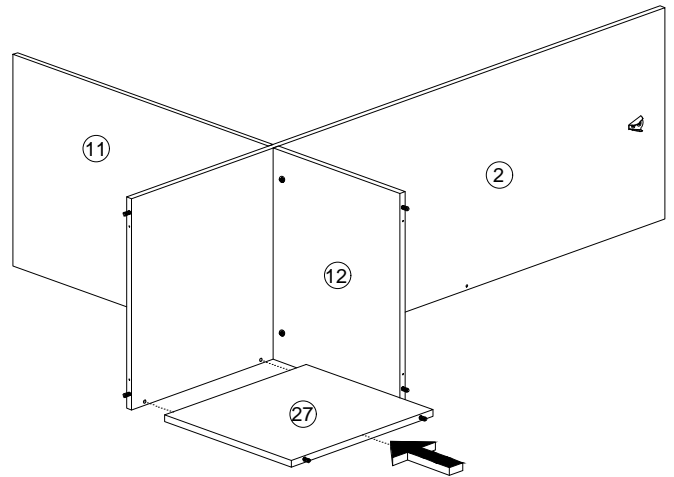
# Assembly Instruction

Step 8


F  M4x45mm Screw 1Pc

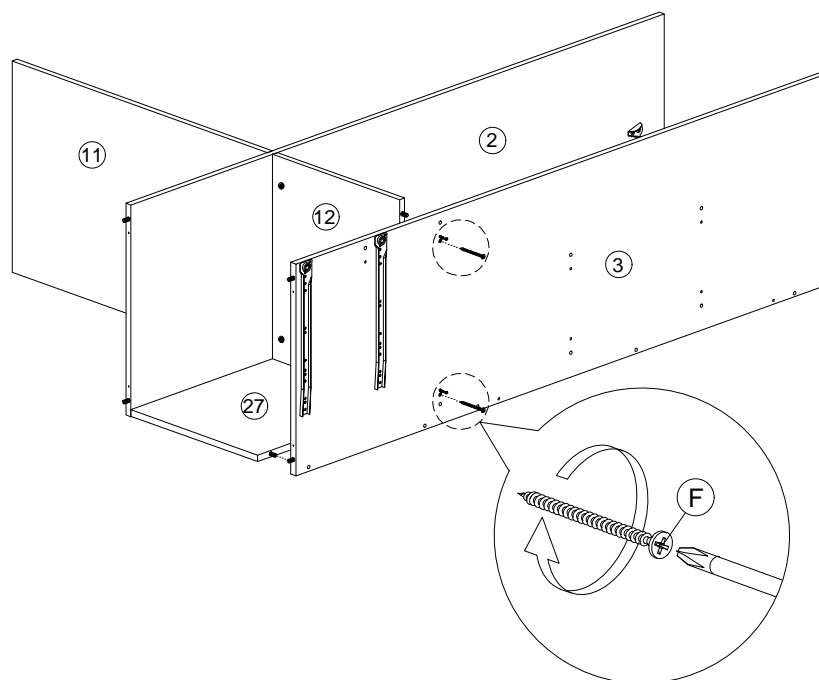


Step 9




Step 10

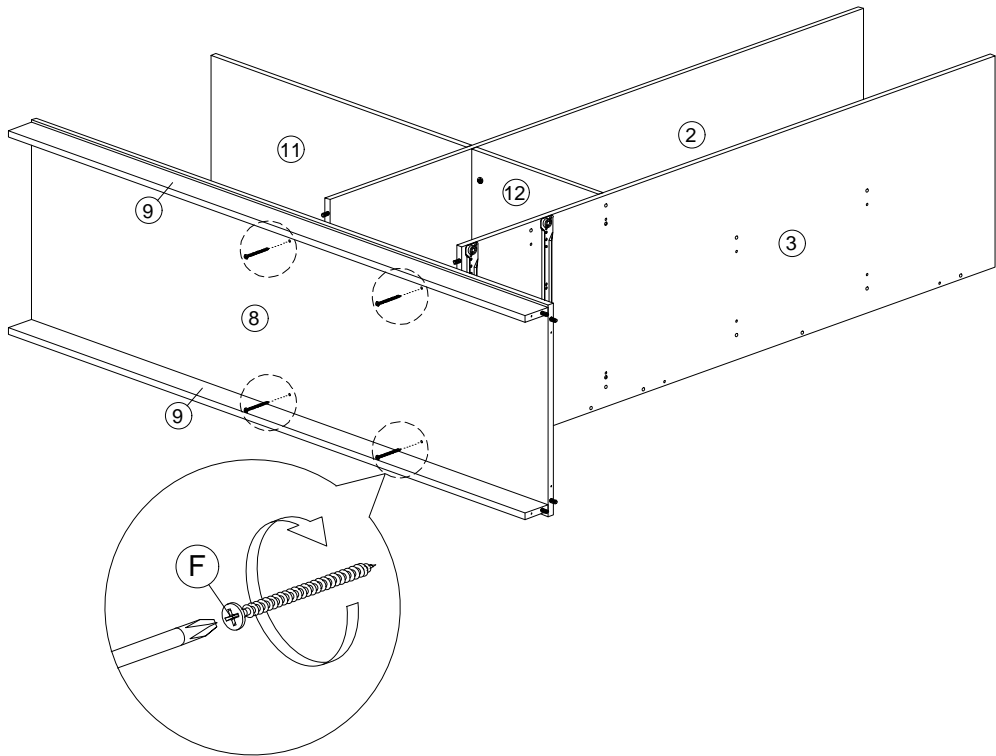
F  M4x45mm Screw 2Pcs




# Assembly Instruction

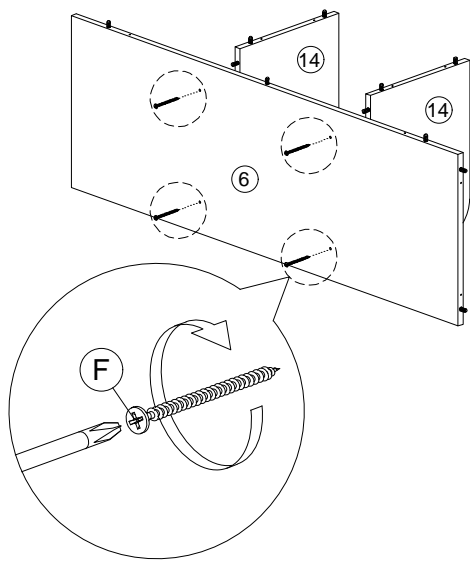
Step 11 

F		M4x45mm Screw	4Pcs
---	---	---------------	------




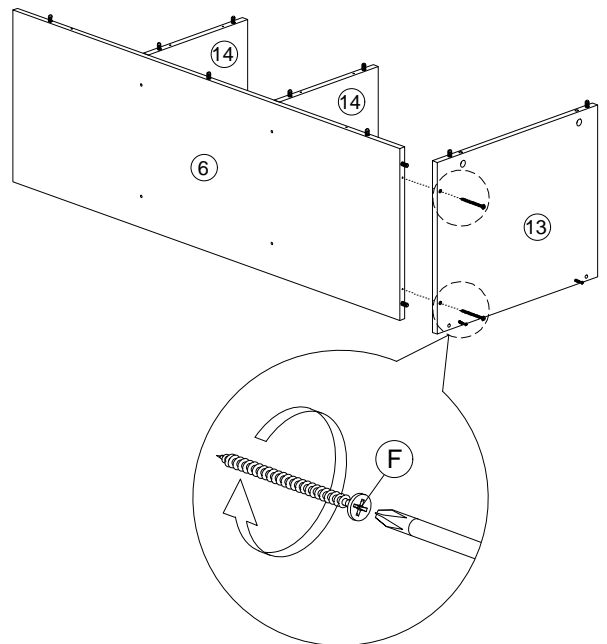
Step 12 

F		M4x45mm Screw	4Pcs
---	---	---------------	------



Step 13 

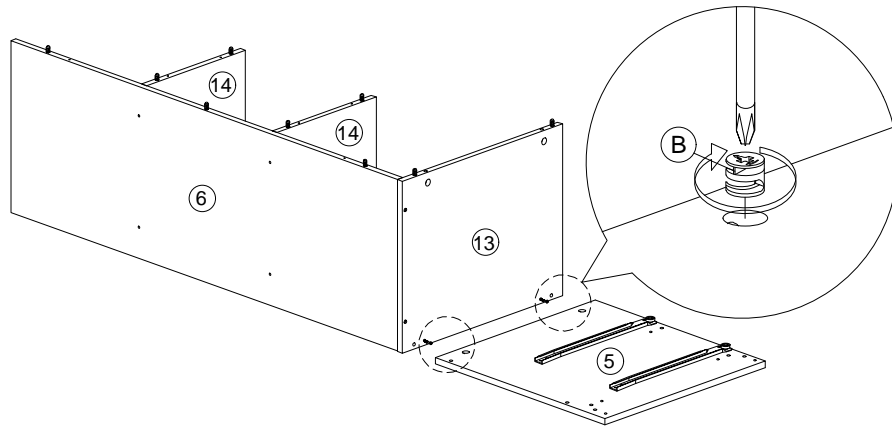
F		M4x45mm Screw	2Pcs
---	---	---------------	------





# Assembly Instruction

Step 14

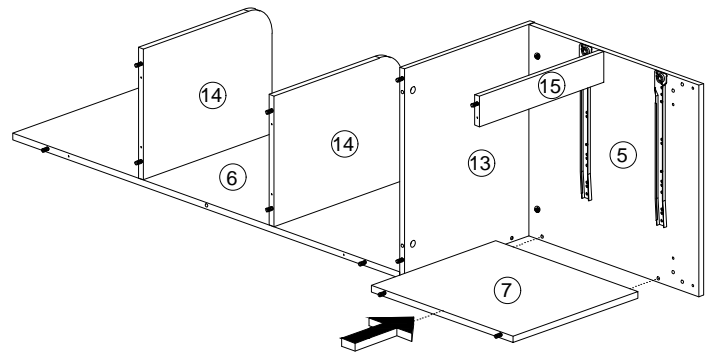
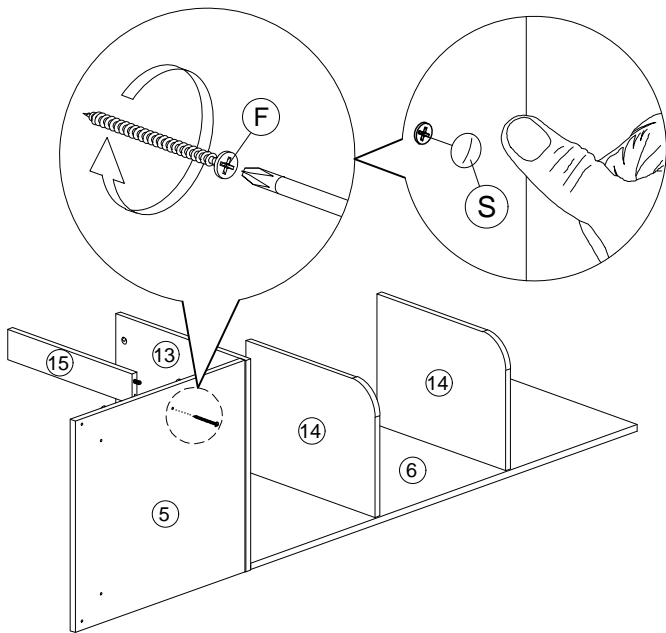
B		Minifix	2Pcs
---	---	---------	------



Step 15

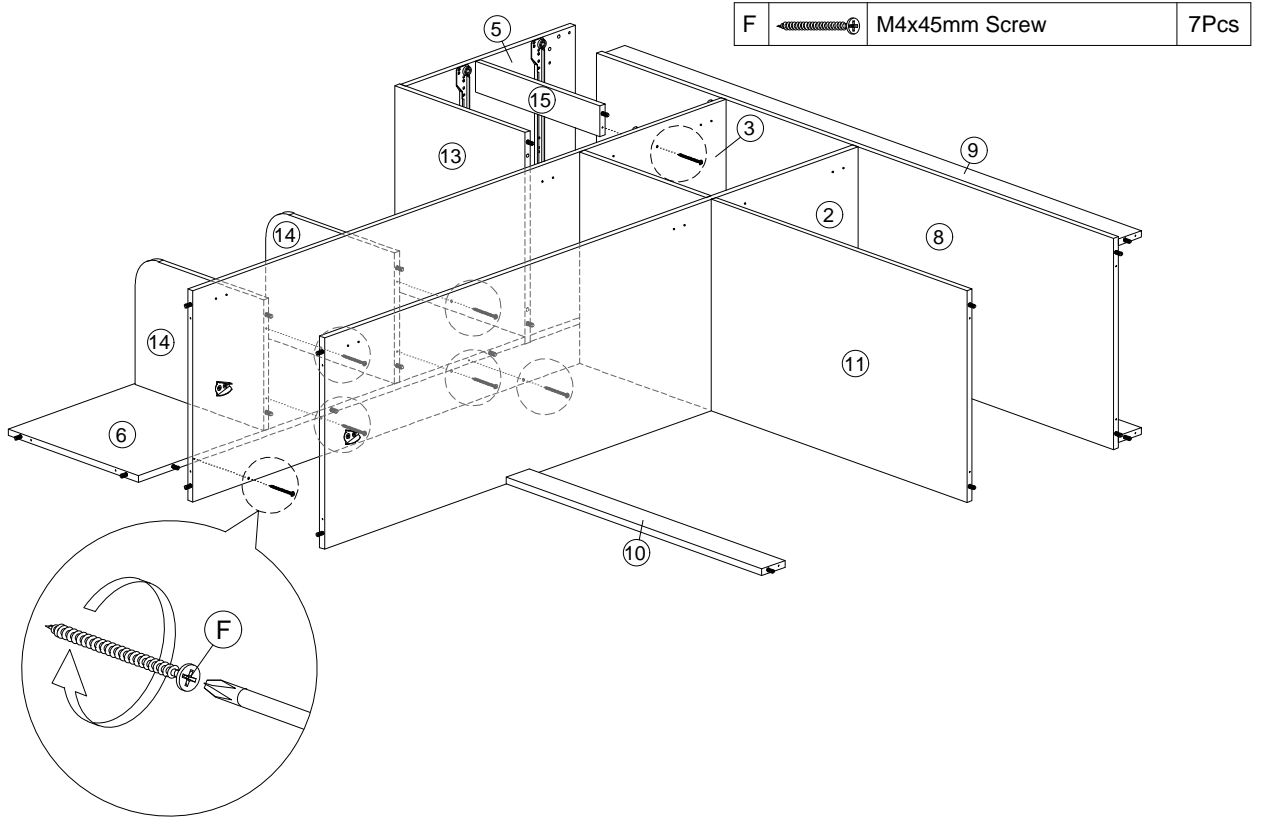
F		M4x45mm Screw	1Pc
S		Sticker	1Pc

Step 16

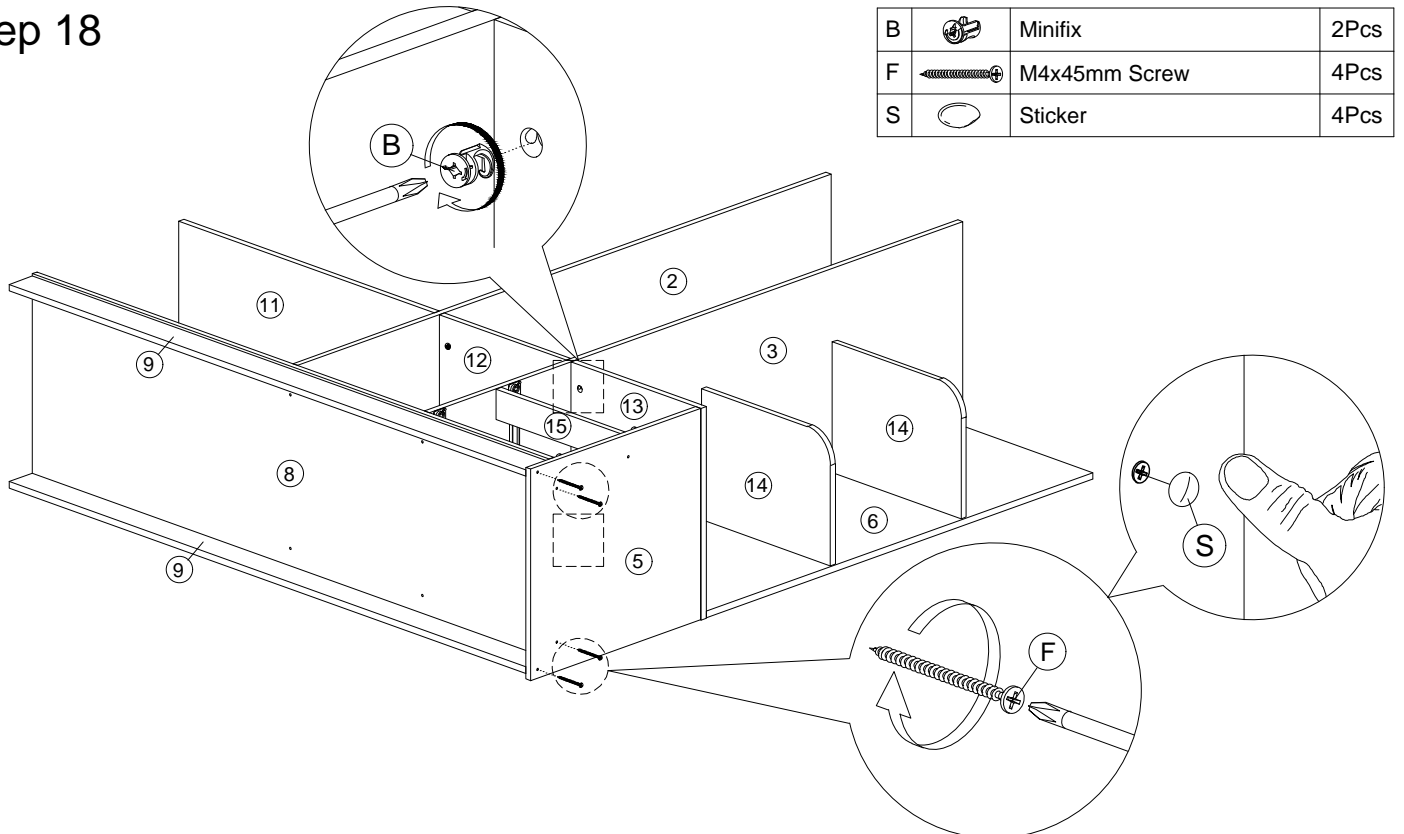


# Assembly Instruction

## Step 17

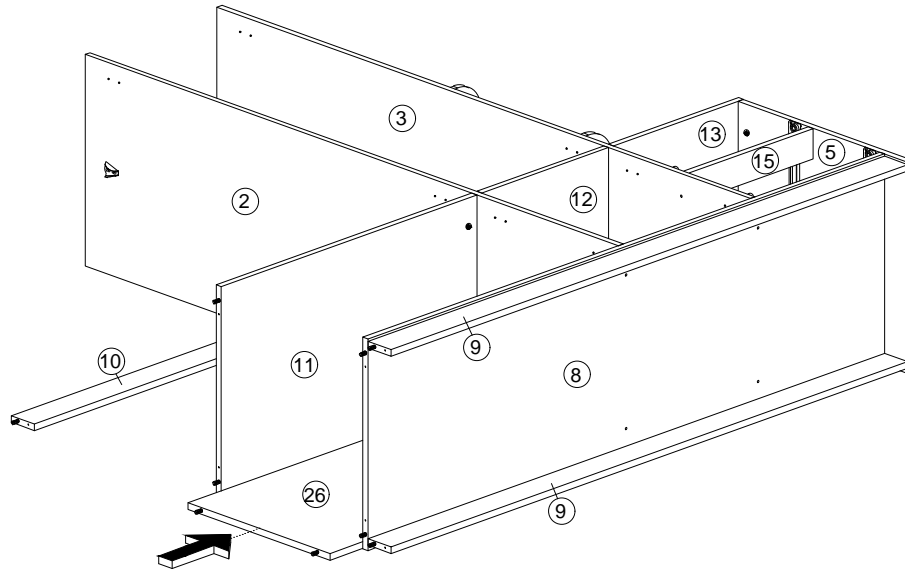


## Step 18




# Assembly Instruction

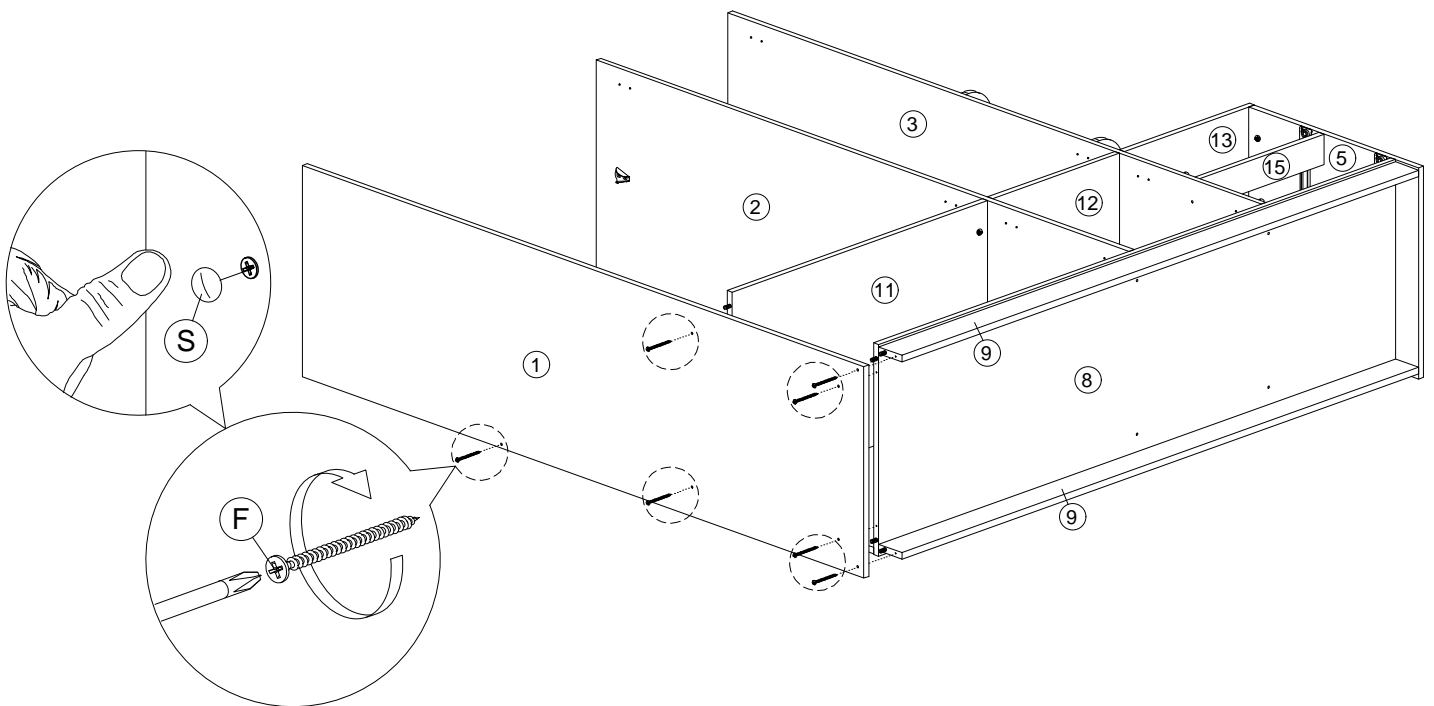
## Step 19



## Step 20


F  M4x45mm Screw 7Pcs

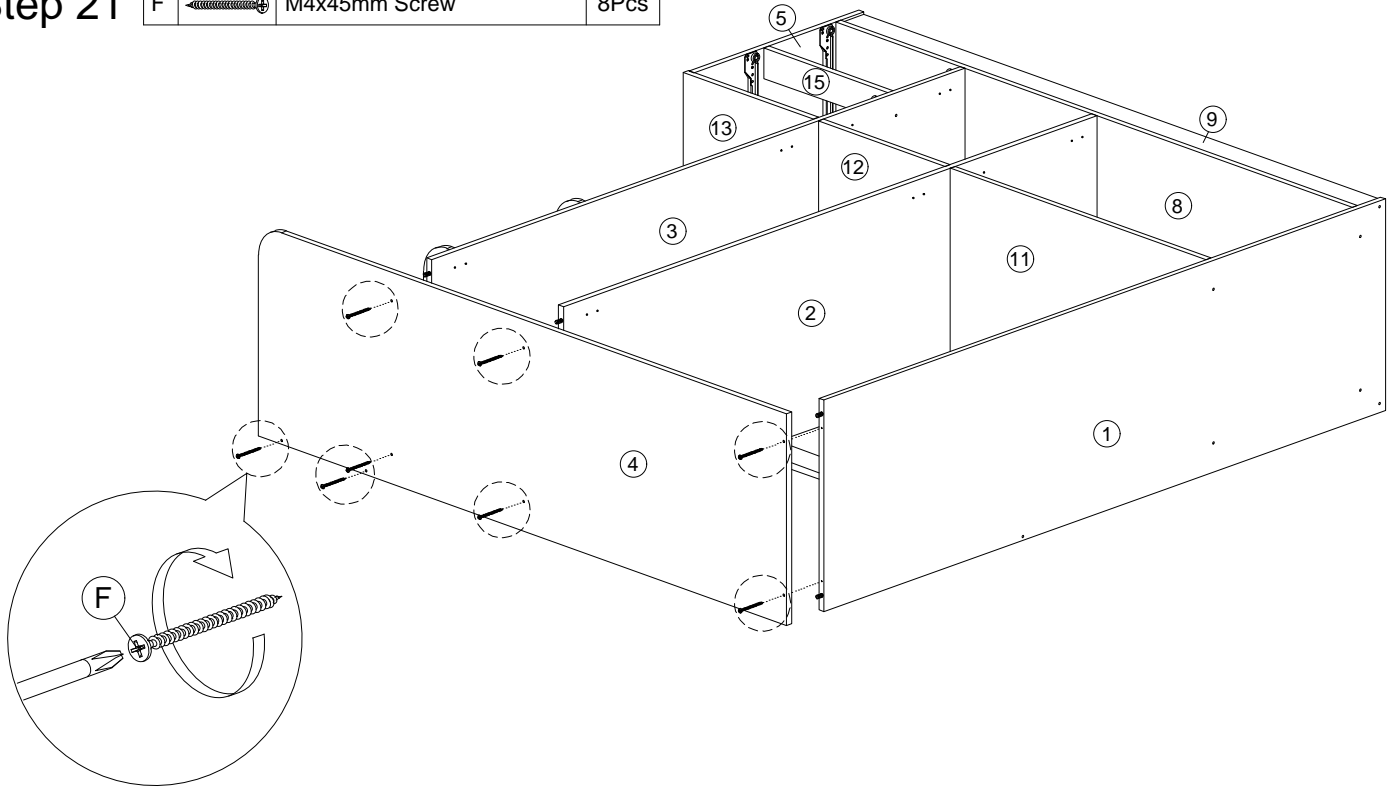
S  Sticker 7Pcs




# Assembly Instruction

Step 21 

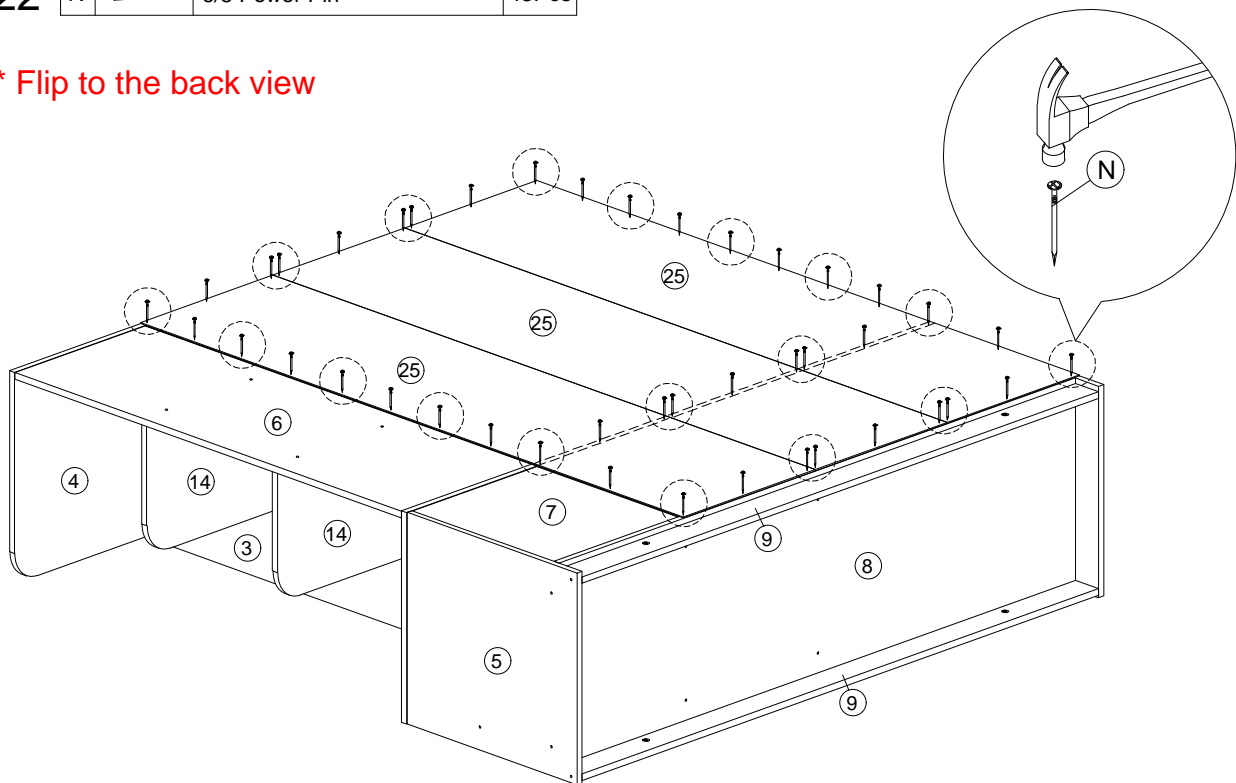
F		M4x45mm Screw	8Pcs
---	---	---------------	------



Step 22 

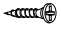
N		6/8 Power Pin	43Pcs
---	---	---------------	-------


\* Flip to the back view

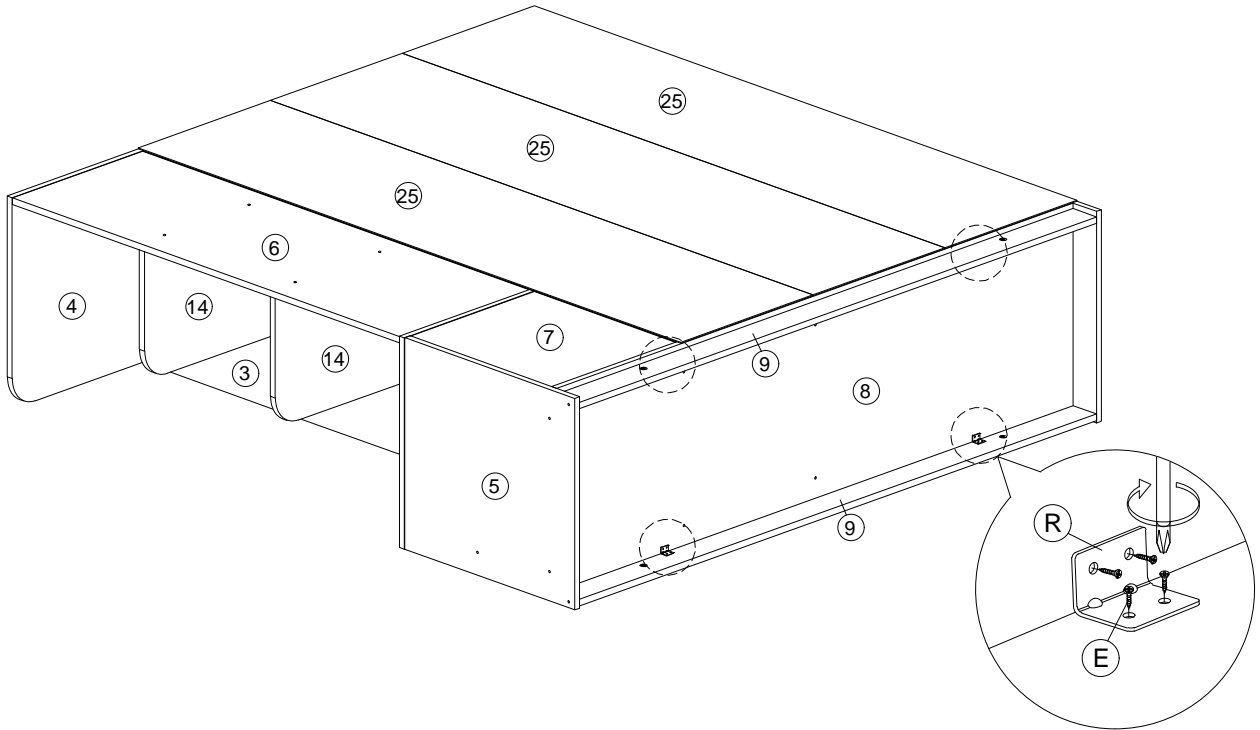


# Assembly Instruction

## Step 23

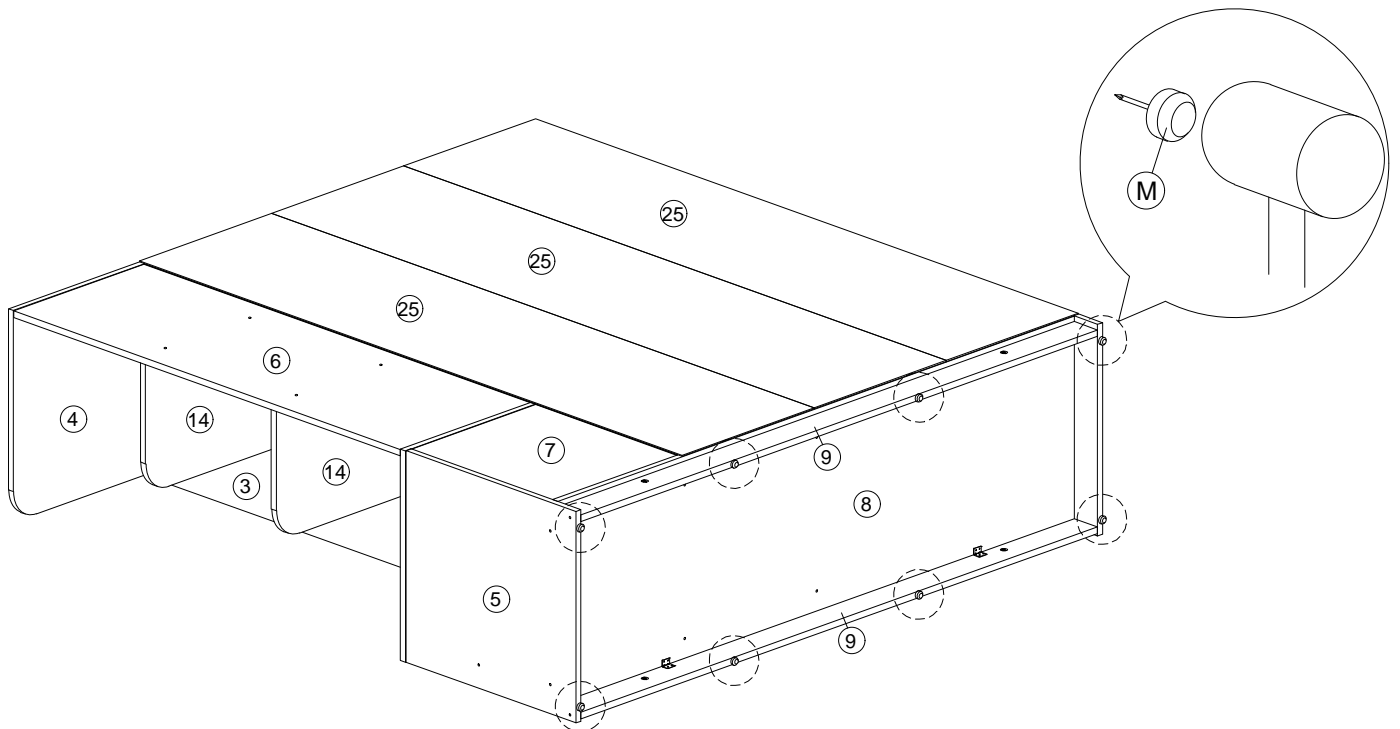
E  M3.5x16mm Screw 16Pcs

R  L Bracket 4Pcs




## Step 24


M  5/8 Nail With Pin 8Pcs

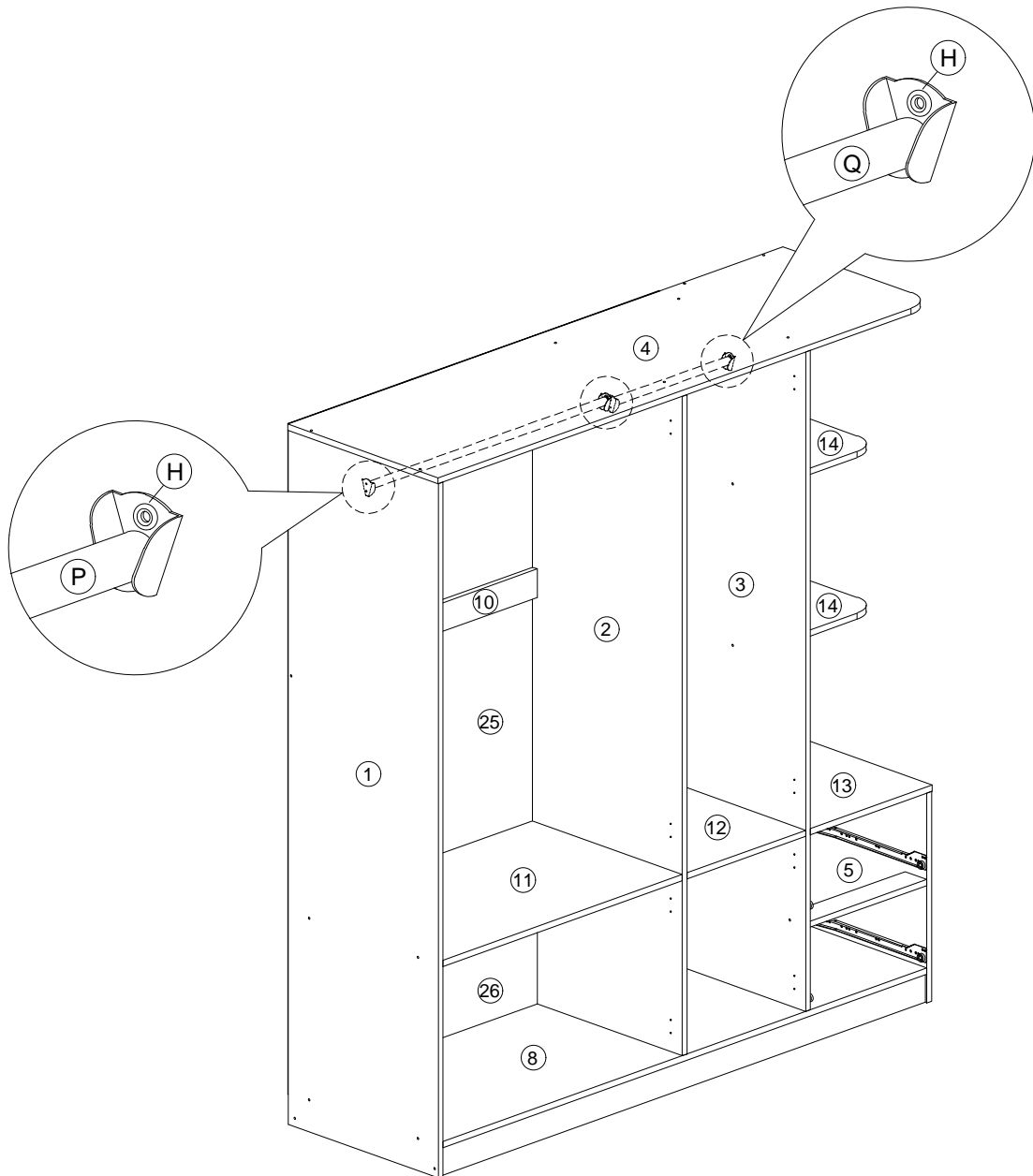


# Assembly Instruction

Step 25

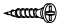
P		Aluminium Pipe(767mm)	1Pc
---	---	-----------------------	-----


Q		Aluminium Pipe(377mm)	1Pc
---	---	-----------------------	-----

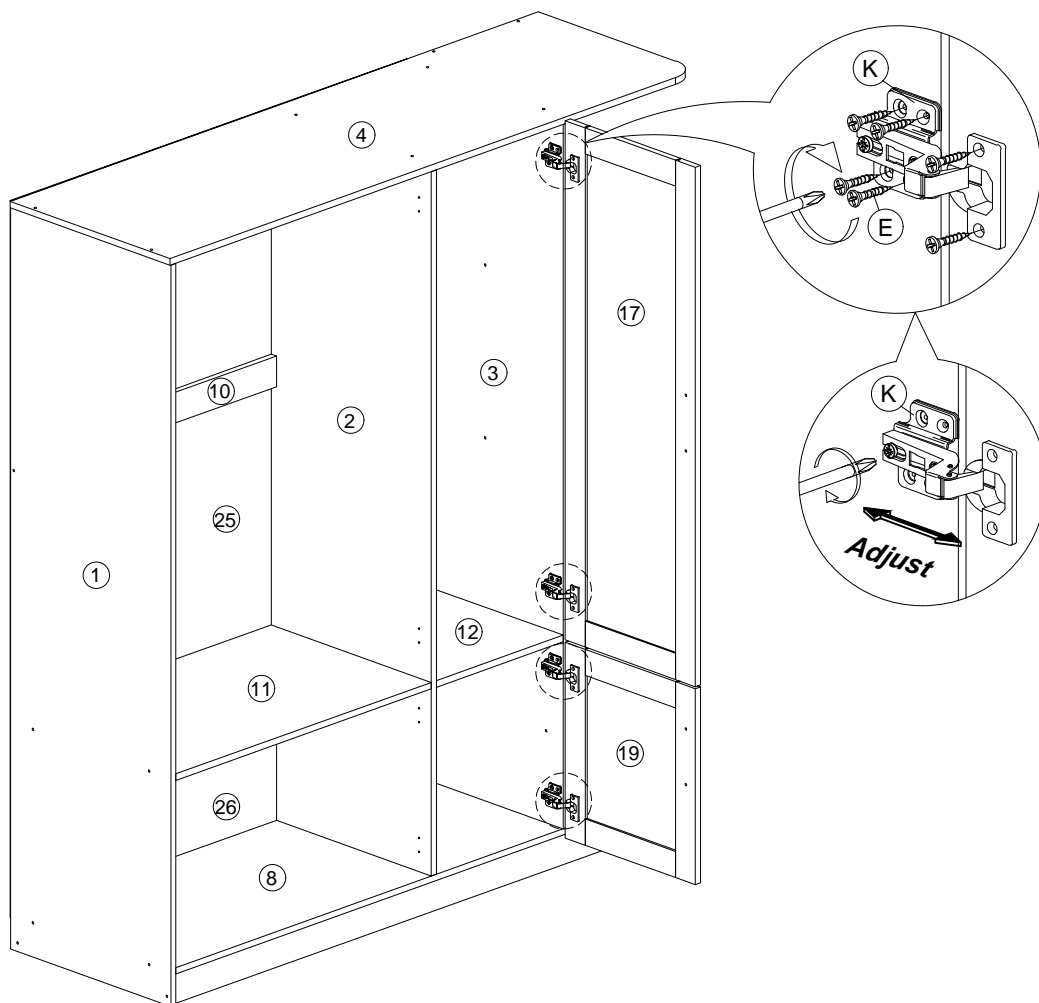


# Assembly Instruction

Step 26


E		M3.5x16mm Screw	24Pcs
---	---	-----------------	-------


K		Hinges 2/8	4Pcs
---	---	------------	------

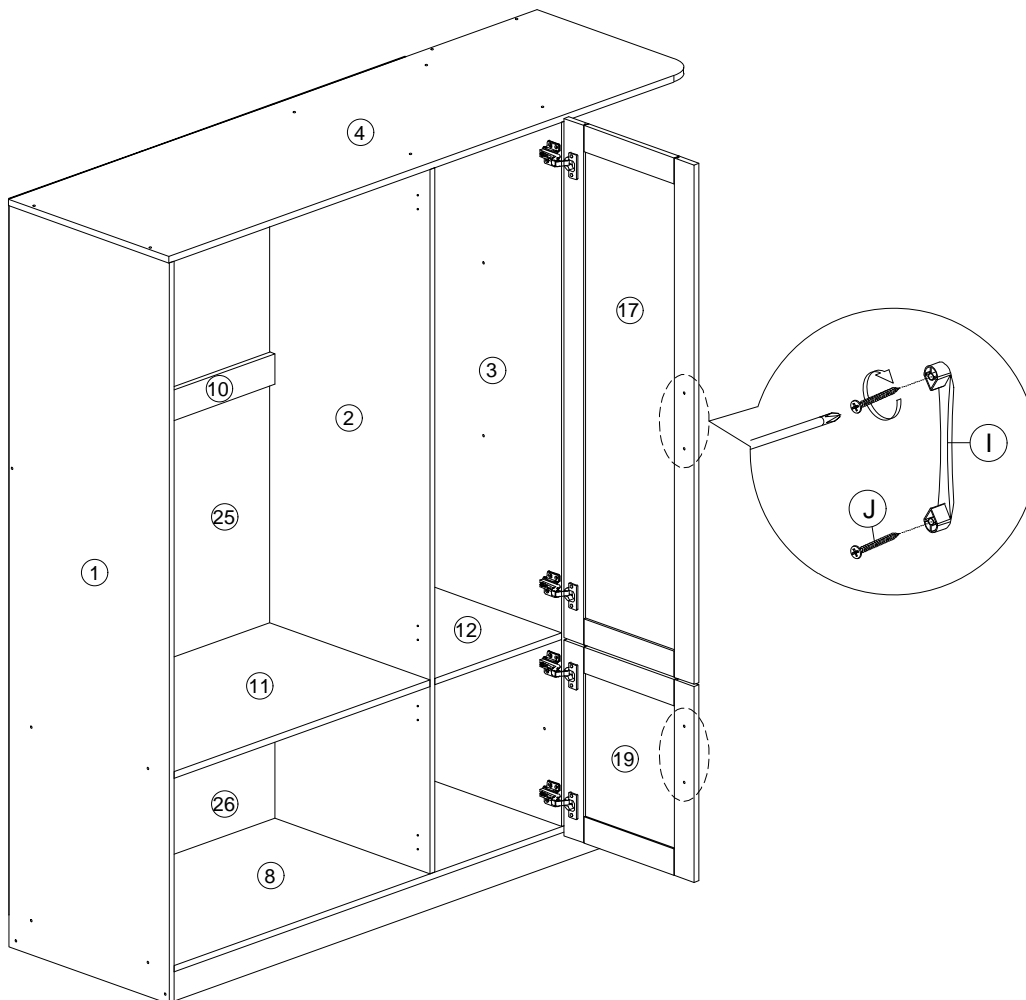


# Assembly Instruction

Step 27

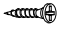
I		Handle KT59.128	2Pcs
---	---	-----------------	------

J		M4x28mm Screw	4Pcs
---	---	---------------	------

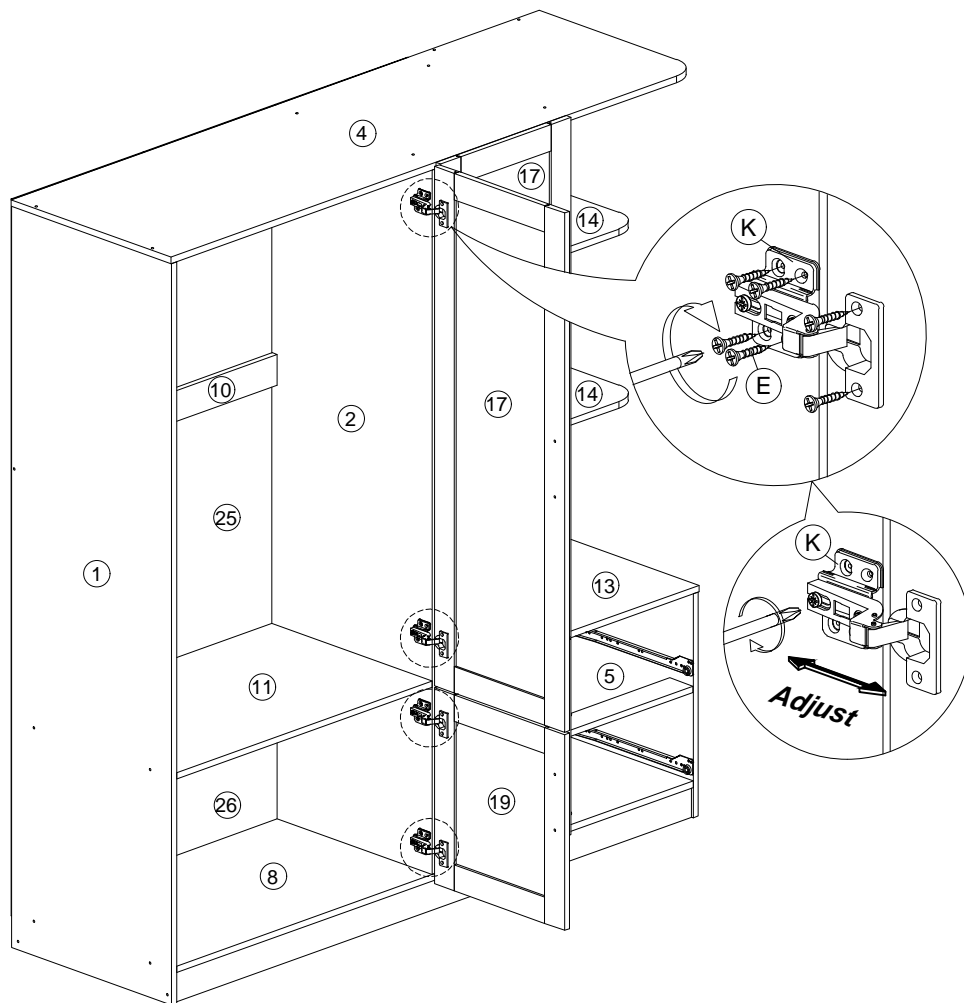


# Assembly Instruction

Step 28


E  M3.5x16mm Screw 24Pcs


K  Hinges 2/8 4Pcs

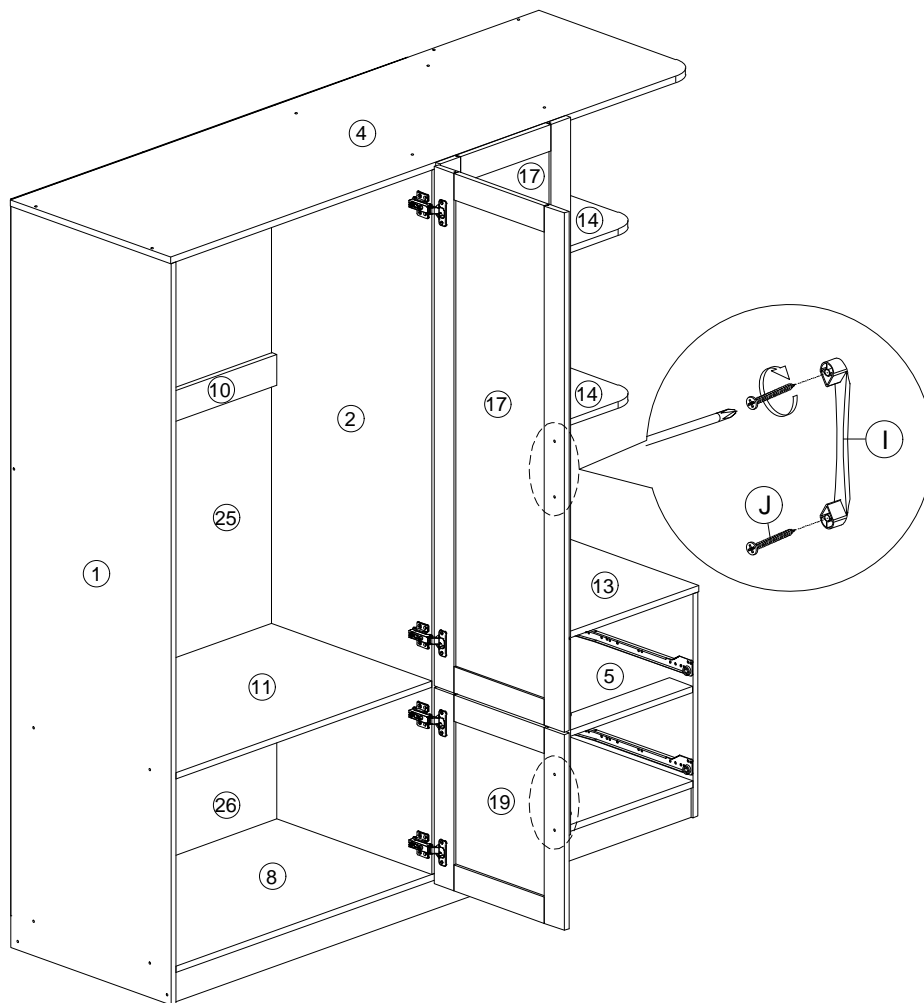


# Assembly Instruction

Step 29

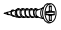
I  Handle KT59.128 2Pcs


J  M4x28mm Screw 4Pcs

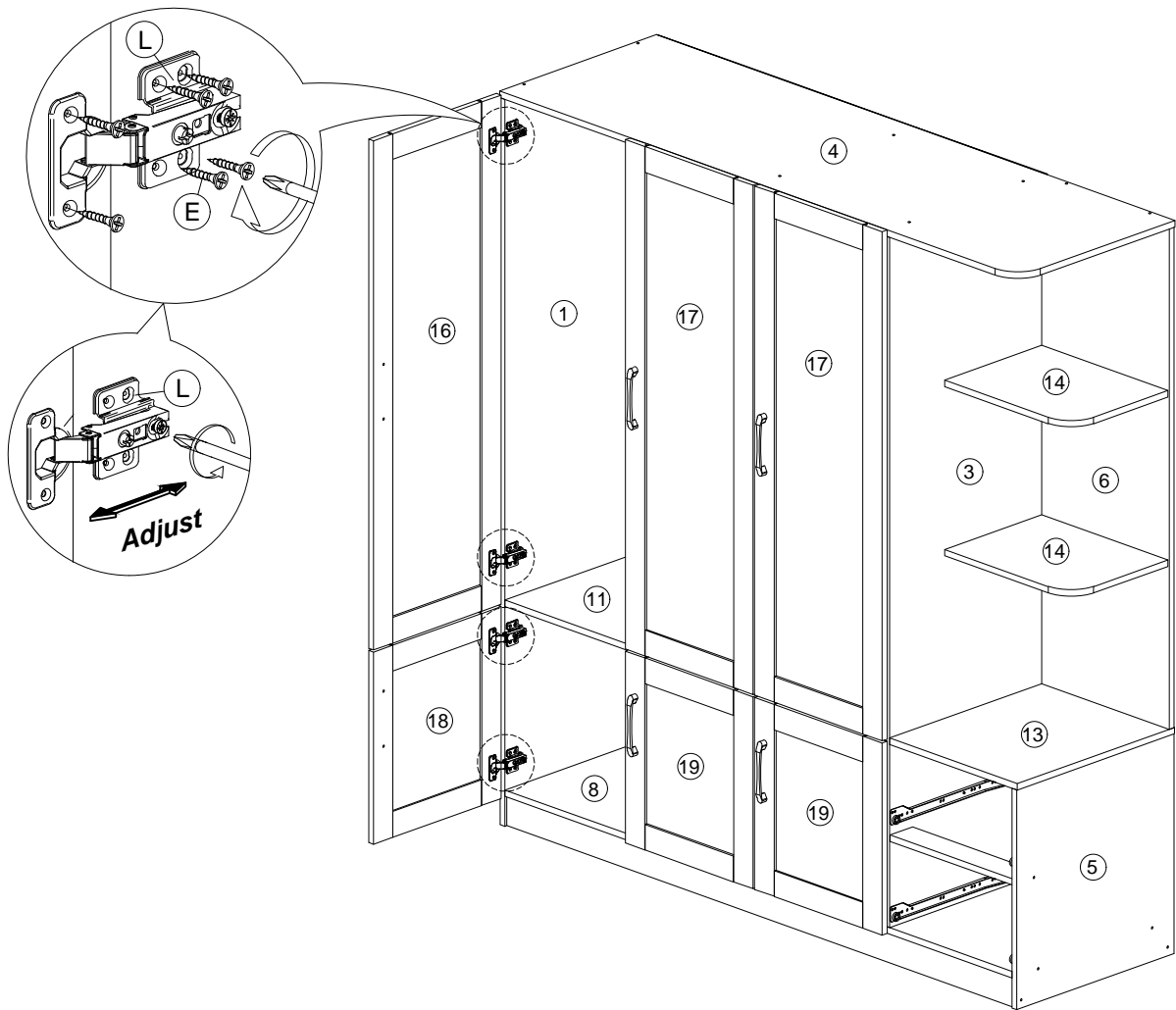


# Assembly Instruction

Step 30


E  M3.5x16mm Screw 24Pcs


L  Hinges 5/8 4Pcs

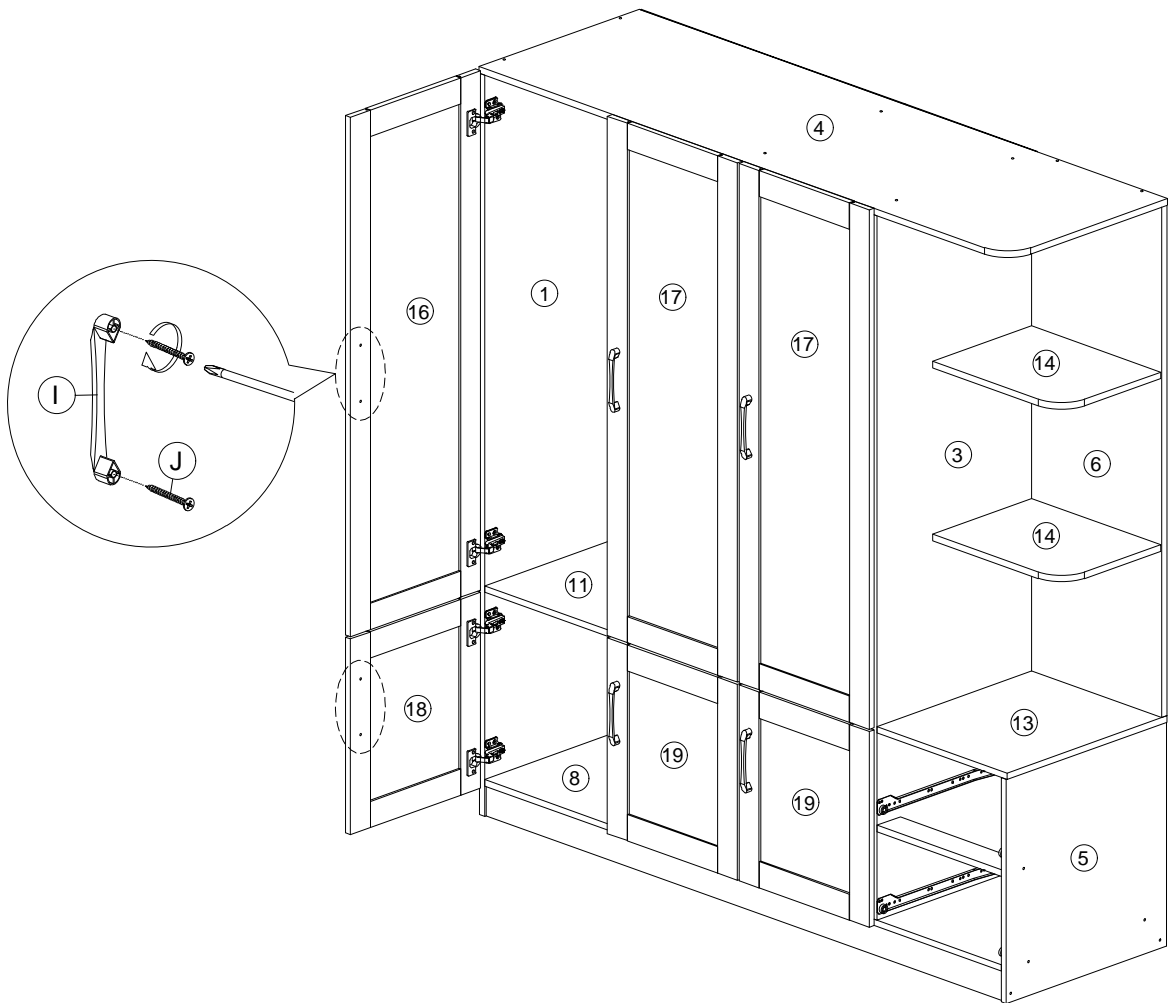


# Assembly Instruction


Step 31

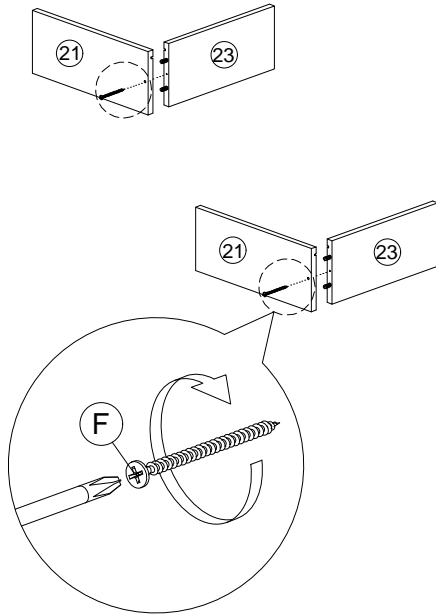
I  Handle KT59.128 2Pcs


J  M4x28mm Screw 4Pcs

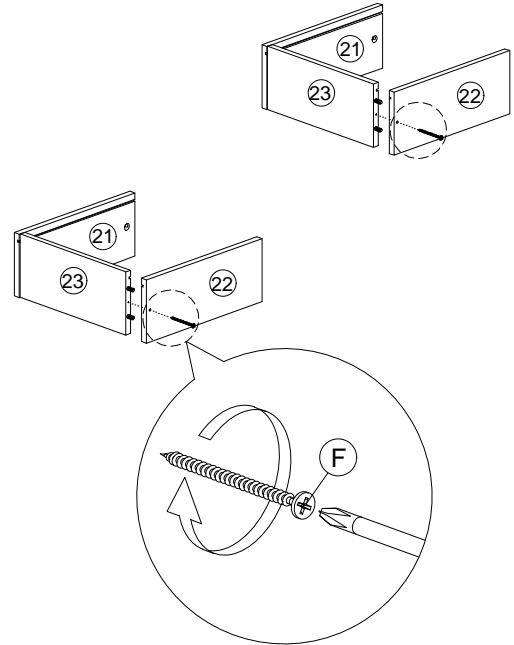


# Assembly Instruction

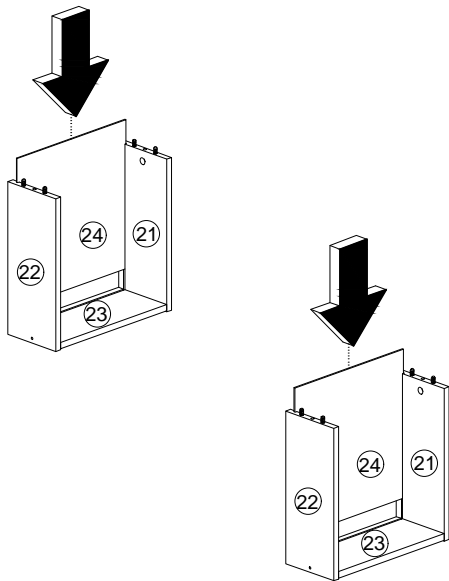
Step 32 F  M4x45mm Screw 2Pcs



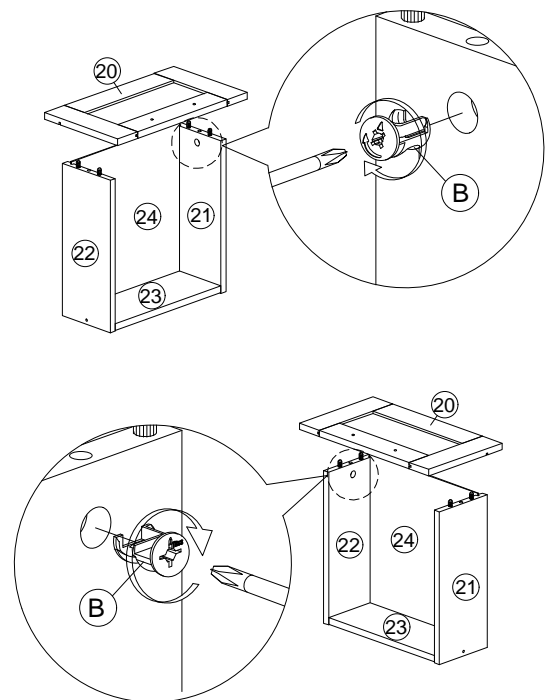
Step 33 F  M4x45mm Screw 2Pcs



Step 34



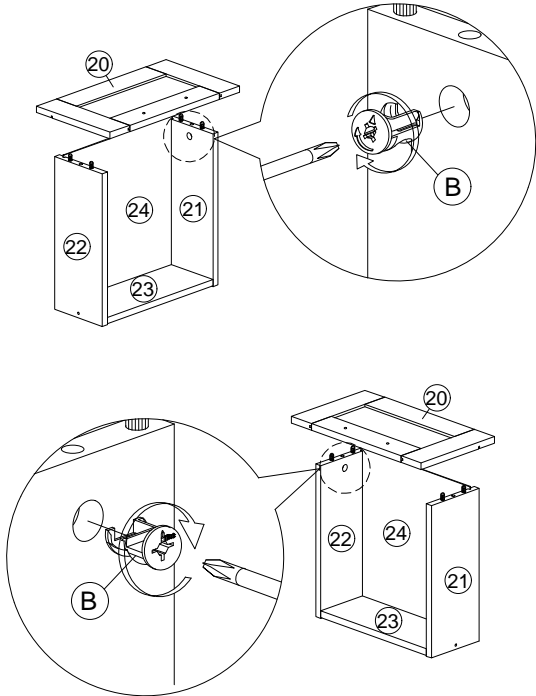
Step 35 B  Minifix 2Pcs





# Assembly Instruction

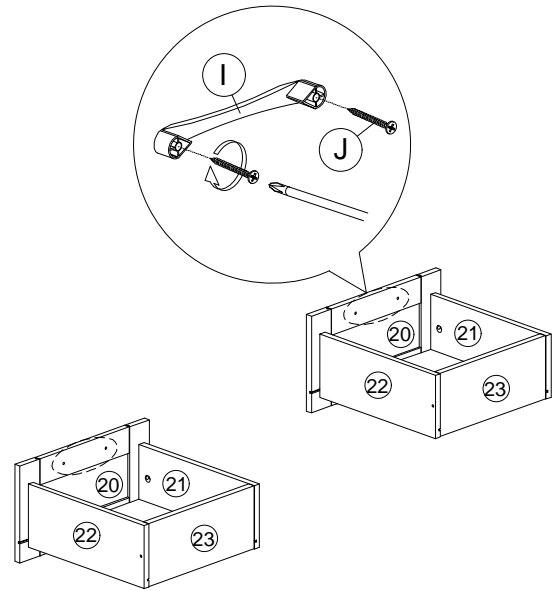
**Step 36**

B		Minifix	2Pcs
---	---	---------	------





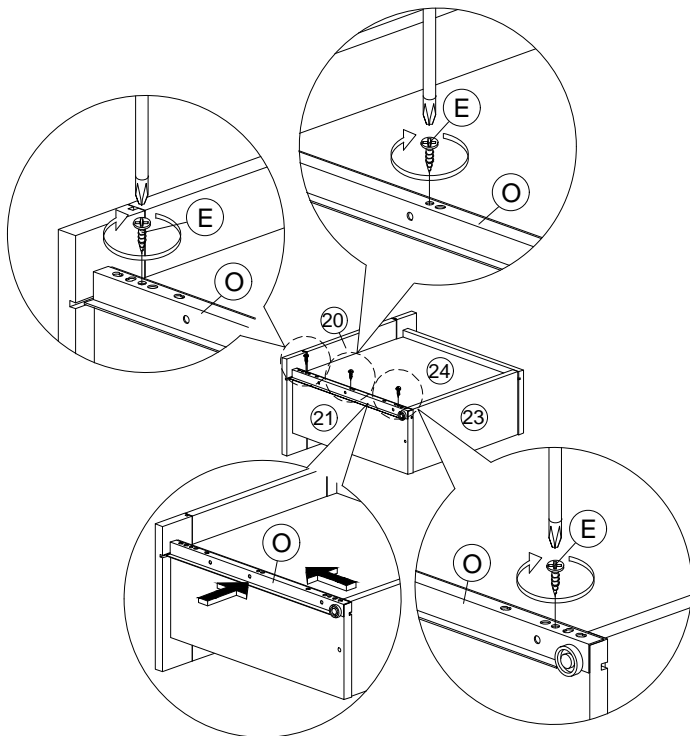
**Step 37**

I		Handle KT59.128	2Pcs
J		M4x28mm Screw	4Pcs





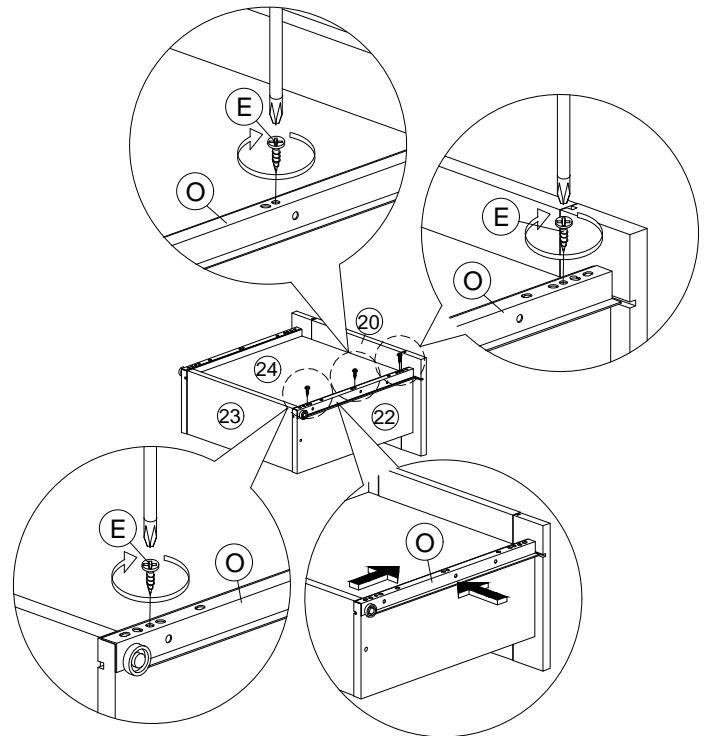
**Step 38**

E		M3.5x16mm Screw	3Pcs
O		Drawer Slide 350mm - L	1Pc



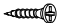
**Step 39**


E		M3.5x16mm Screw	3Pcs
O		Drawer Slide 350mm - R	1Pc

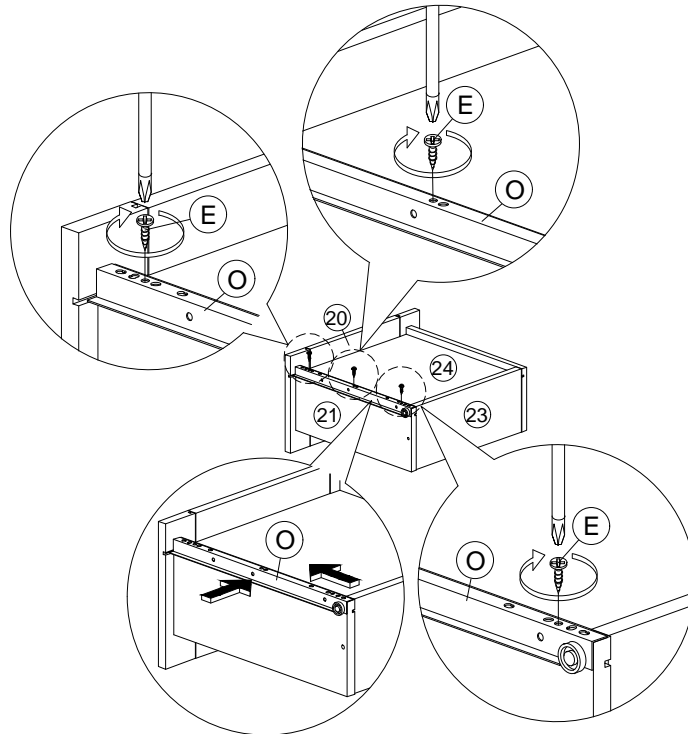


# Assembly Instruction

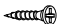
Step 40


E  M3.5x16mm Screw 3Pcs

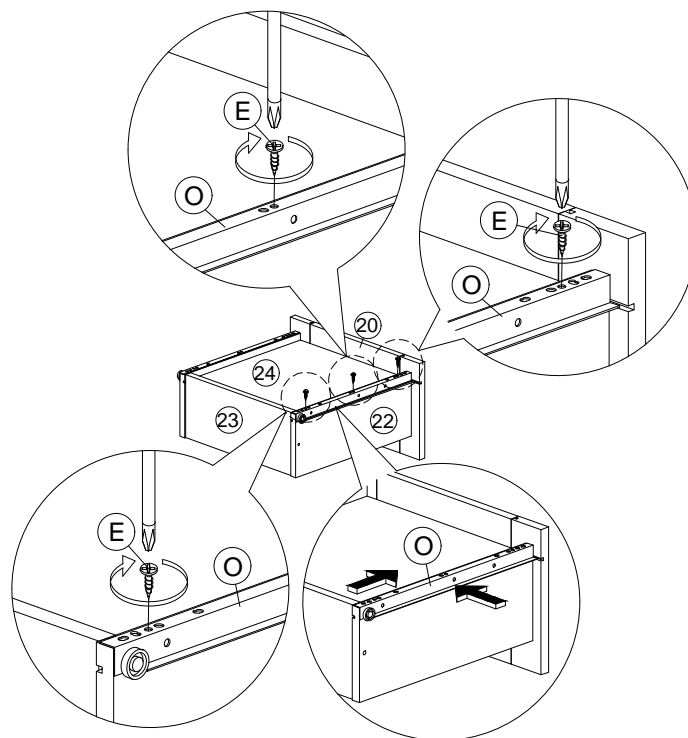
O  Drawer Slide 350mm - L 1Pc



Step 41

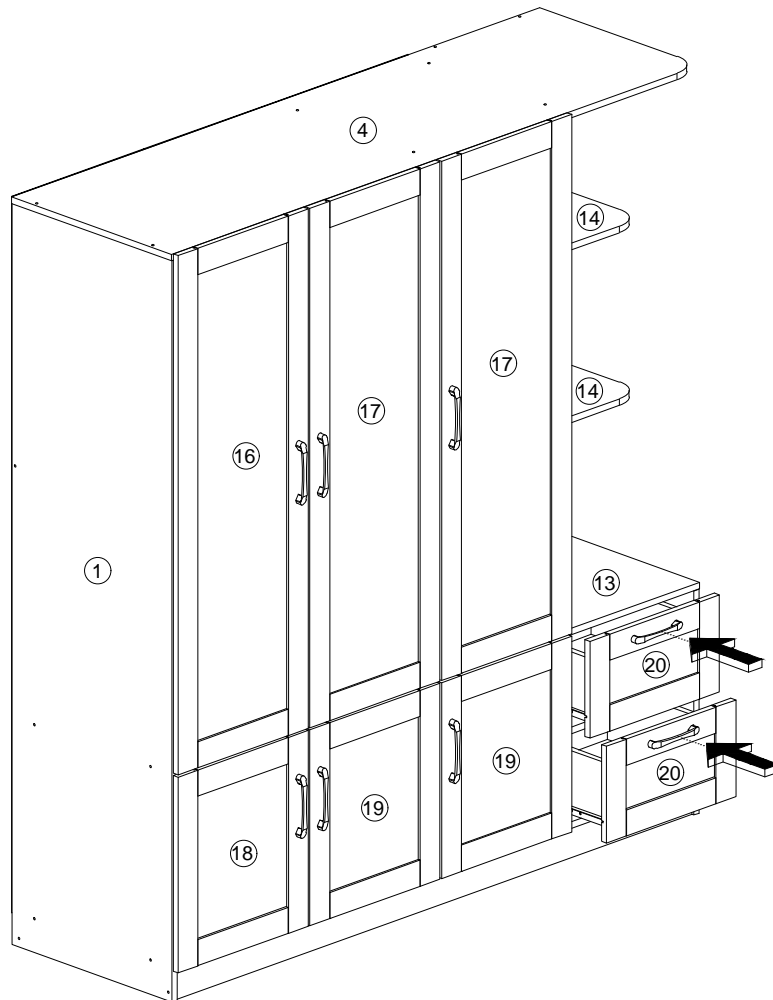
E  M3.5x16mm Screw 3Pcs

O  Drawer Slide 350mm - R 1Pc



# Assembly Instruction

## Step 42



# FITTING OF ANTI-TIP SAFETY STRAP

## STEP 1:

- Attach the mounting bracket (a) to the furniture in the solid part below the top panel a few inches away from the side of the unit.
- Screw (b) through the smallest hole of (a).

## STEP 2:

- Locate a stud in behind the have to
- Place the other mounting bracket (a) on the wall stud 2 inches below the mounting bracket secured to the back of your unit.
- Attach to the wall stud using (c) through the smaller hole of (a).

## STEP 3:

- Repeat the same step a few inches away from the other side of the unit.
- Place the furniture into position so both mounting brackets are vertically in line.
- Lace the end of the restraint strap through the larger holes in each mounting bracket.
- Secure the straps and lock into place.

