

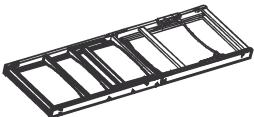
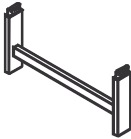

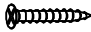


CARE AND MAINTENANCE

Store outdoor furniture indoors or cover well when it is not in use. Dust regularly with small brush or vacuum. Spills should be taken care of immediately before they harden or stain with a slightly dampened sponge.

NOTICE

Please make sure that you have all parts indicated before you begin assembly of this item.

Part List and Hardware List

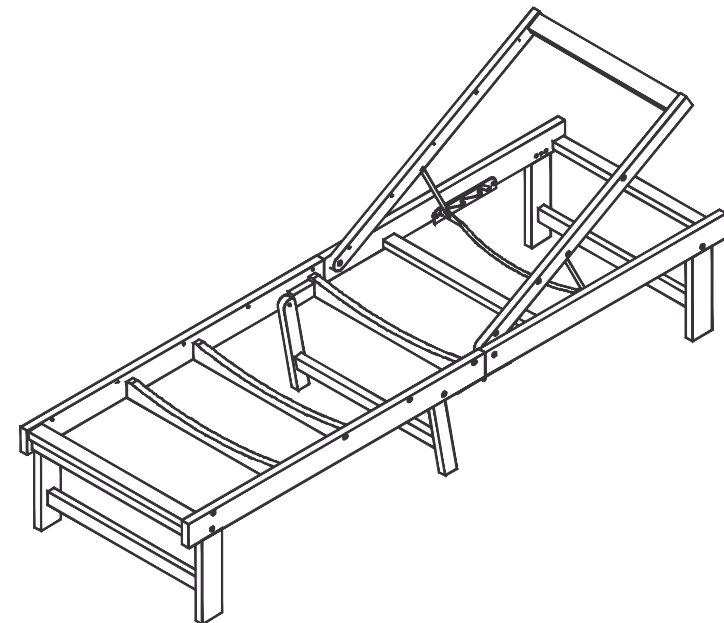
PIECE	DESCRIPTION	PICTURE	QUANTITY
A	Frame		1 X
B	Leg		2 X
C1	Allen Bolt	 M6x30	4x
C2	Screw	 M4x20	8X
C3	Allen Key		1 X
C4	Wrench		1 X

Product Dimension: 75.2"W x 23.62"D x 12.99"H

Weight capacity : 300 lbs

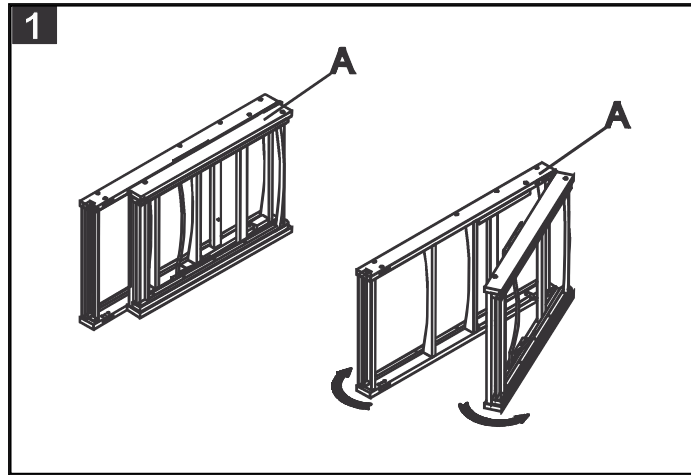
Warning : Do not stand on the lounge

Warning : Do not torque bolts / screws

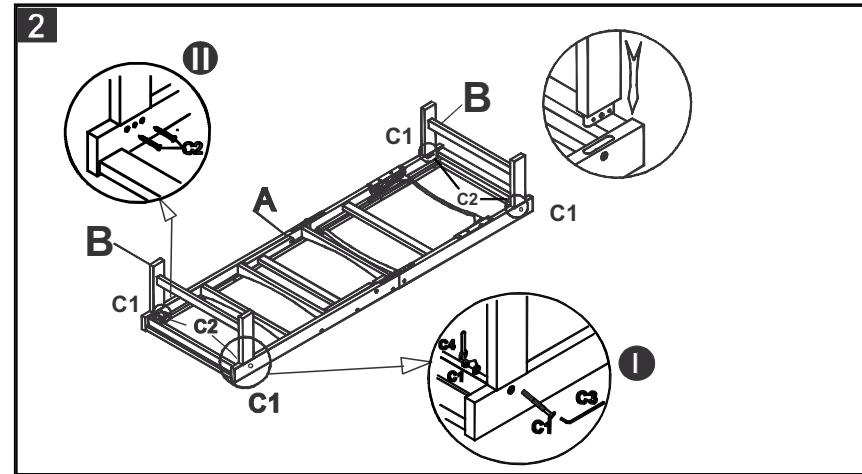


PREPARATION

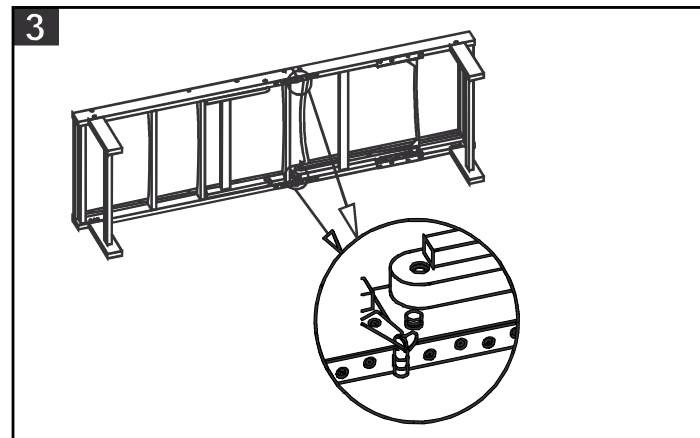
Before beginning the assembly of the product, make sure all parts are present. Compare the parts with the package contents list and hardware contents list. If any parts are missing or damaged, do not attempt to assemble the product. Tool required for assembly (included): Allen Key and Wrench.



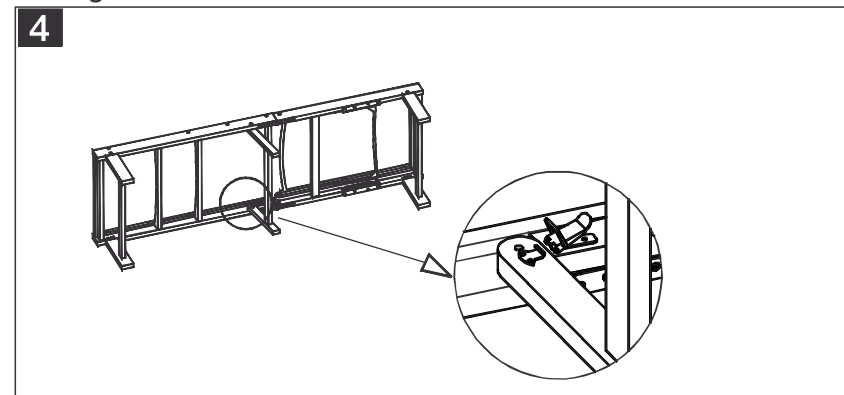
Step 1: open frame (A) as shown on the picture.



Step 2: put the leg (B) to the frame (A) as shown on the picture. Then use the Allen Bolt (C1) to tighten the leg (B) with the Allen Key (C3) and the wrench (C4). After that use the screw (C2) and tighten it from the inside with a screwdriver.



Step 3: lock the pin as shown on the picture.



Step 4: lock the leg as shown on the picture.