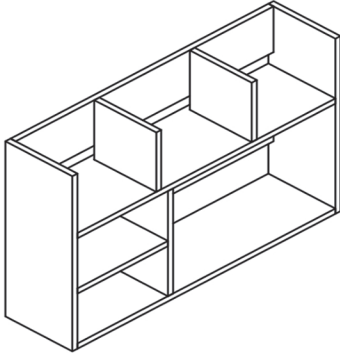

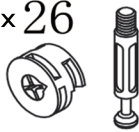


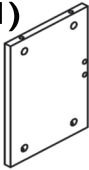
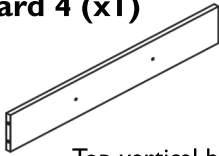
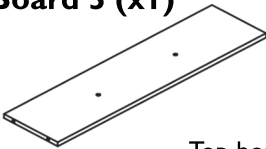
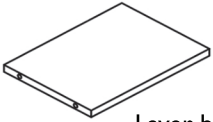

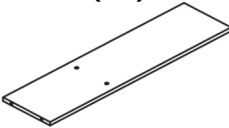
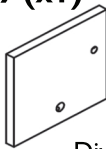
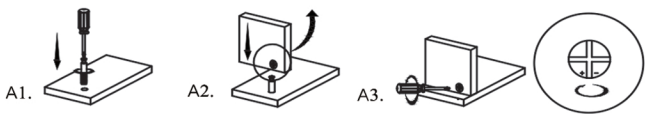
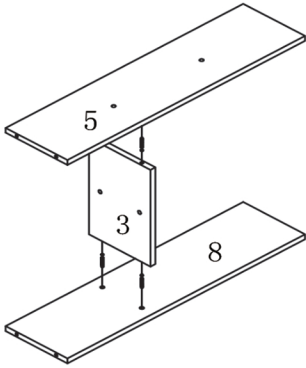
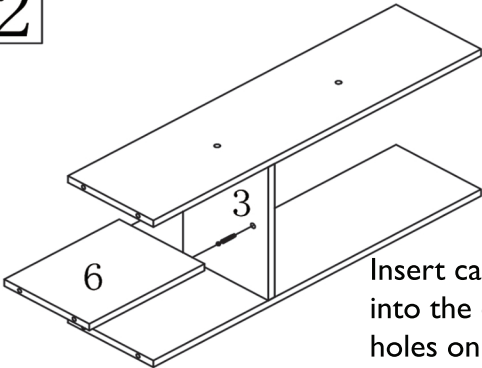
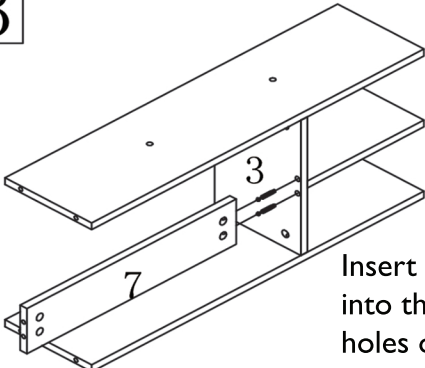


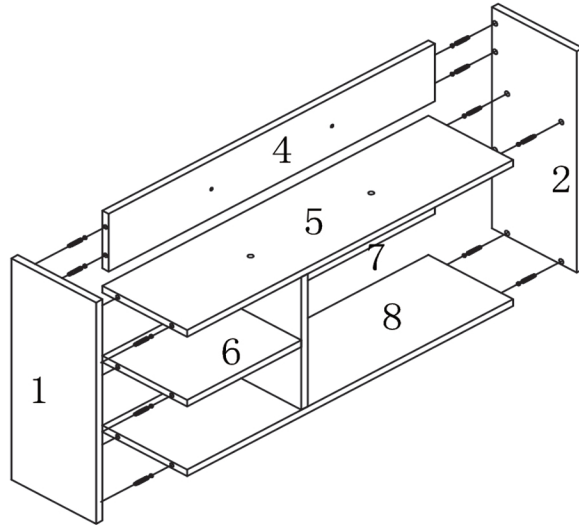
# DESKTOP ORGANIZER INSTALLATION GUIDE

Please follow this instruction step by step, and don't hesitate to contact us if you have any questions during installation.

		<p><math>A \times 2</math></p>  <p>5cm pointed screw</p>	<p><math>B \times 26</math></p>  <p>Cam parts</p>
		<p><b>Board 1 (x1)</b></p>  <p>Left vertical side board</p>	<p><b>Board 2 (x1)</b></p>  <p>Right vertical side board</p>
<p><b>Board 3 (x1)</b></p>  <p>Middle vertical board</p>	<p><b>Board 4 (x1)</b></p>  <p>Top vertical board</p>	<p><b>Board 5 (x1)</b></p>  <p>Top board</p>	<p><b>Board 6 (x1)</b></p>  <p>Layer board</p>
<p><b>Board 7 (x1)</b></p>  <p>Bottom vertical board</p>	<p><b>Board 8 (x1)</b></p>  <p>Bottom board</p>	<p><b>Board 9 (x1)</b></p>  <p>Divide board</p>	
<p><b>Assembly method of cam parts:</b></p> <p>Pay attention to the tip direction. Rotate and tighten to the direction of "+" sign.</p>  <p>A1. A2. A3.</p>		<p><b>1</b></p> <p>Insert cam parts (<math>B \times 26</math>) into the corresponding holes on Board 5 and 8, and connect with Board 3.</p> 	
<p><b>2</b></p>  <p>Insert cam parts (<math>B \times 26</math>) into the corresponding holes on Board 3, and connect with Board 6.</p>		<p><b>3</b></p>  <p>Insert cam parts (<math>B \times 26</math>) into the corresponding holes on Board 3, and connect with Board 7.</p>	

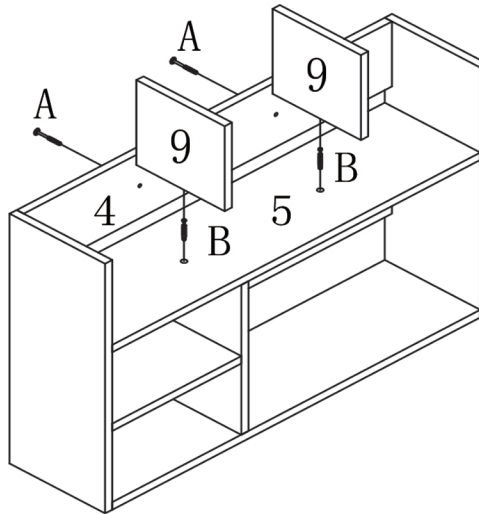
4

Insert cam parts (Bx26) into the corresponding holes on Board 1 and 2, and connect with Board 4,5,6,7,8.



5

Insert cam parts (Bx26) into the corresponding holes on Board 5, and connect with Board 9. Insert two pointed screws (Ax2) through Board 4, and connect with Board 9.



6

Finish.

