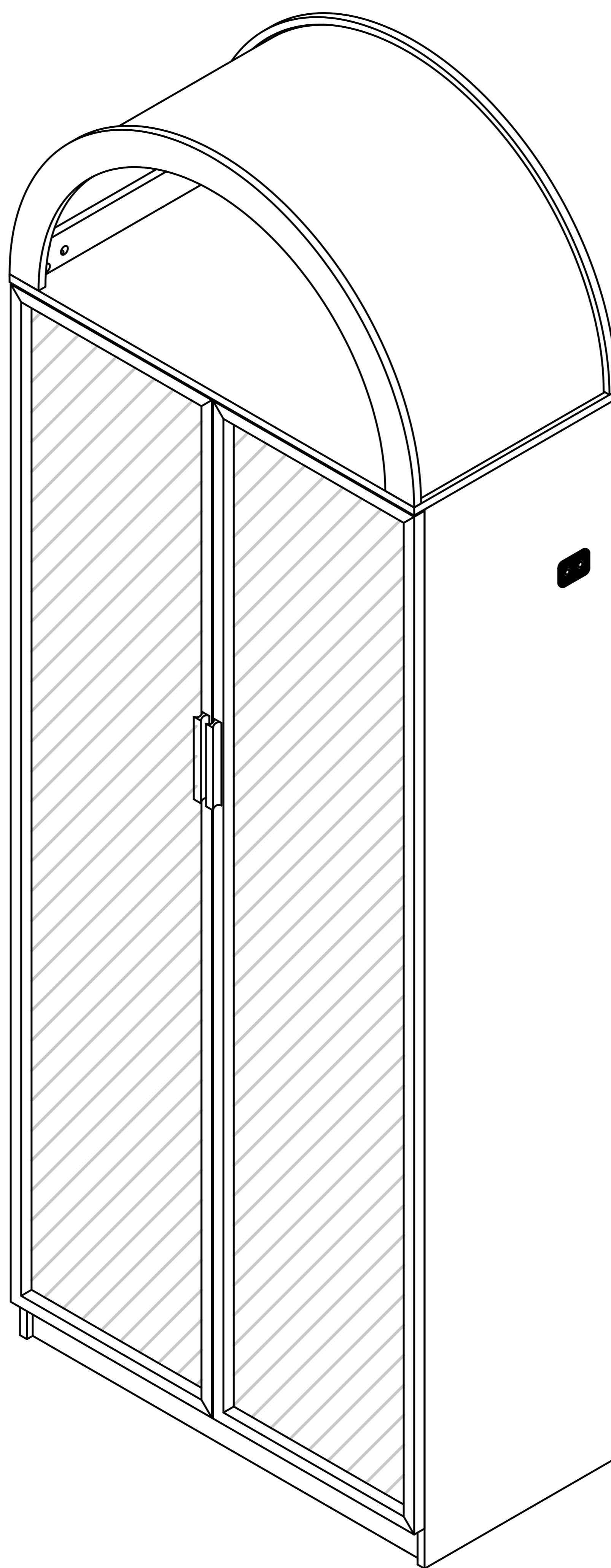
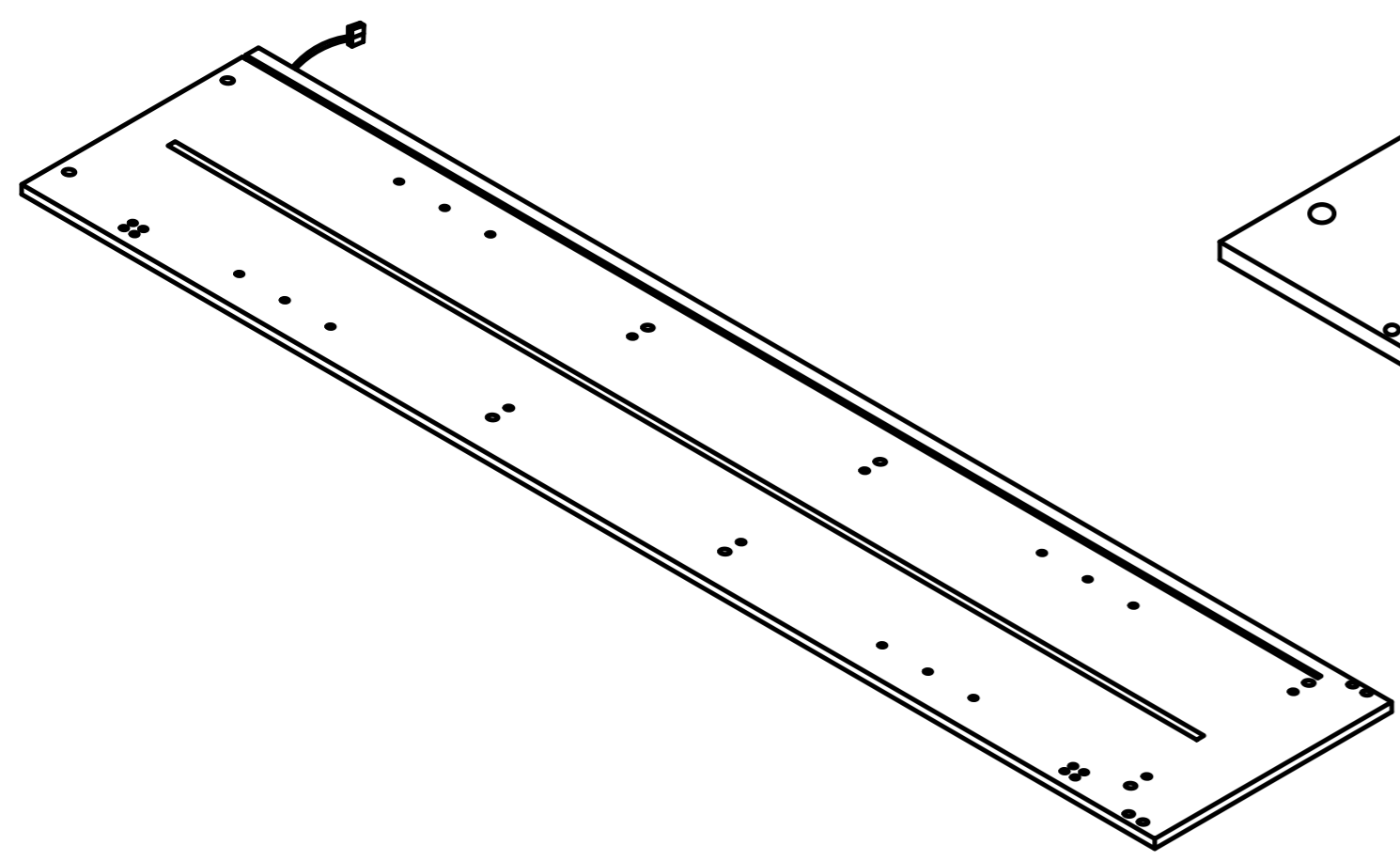
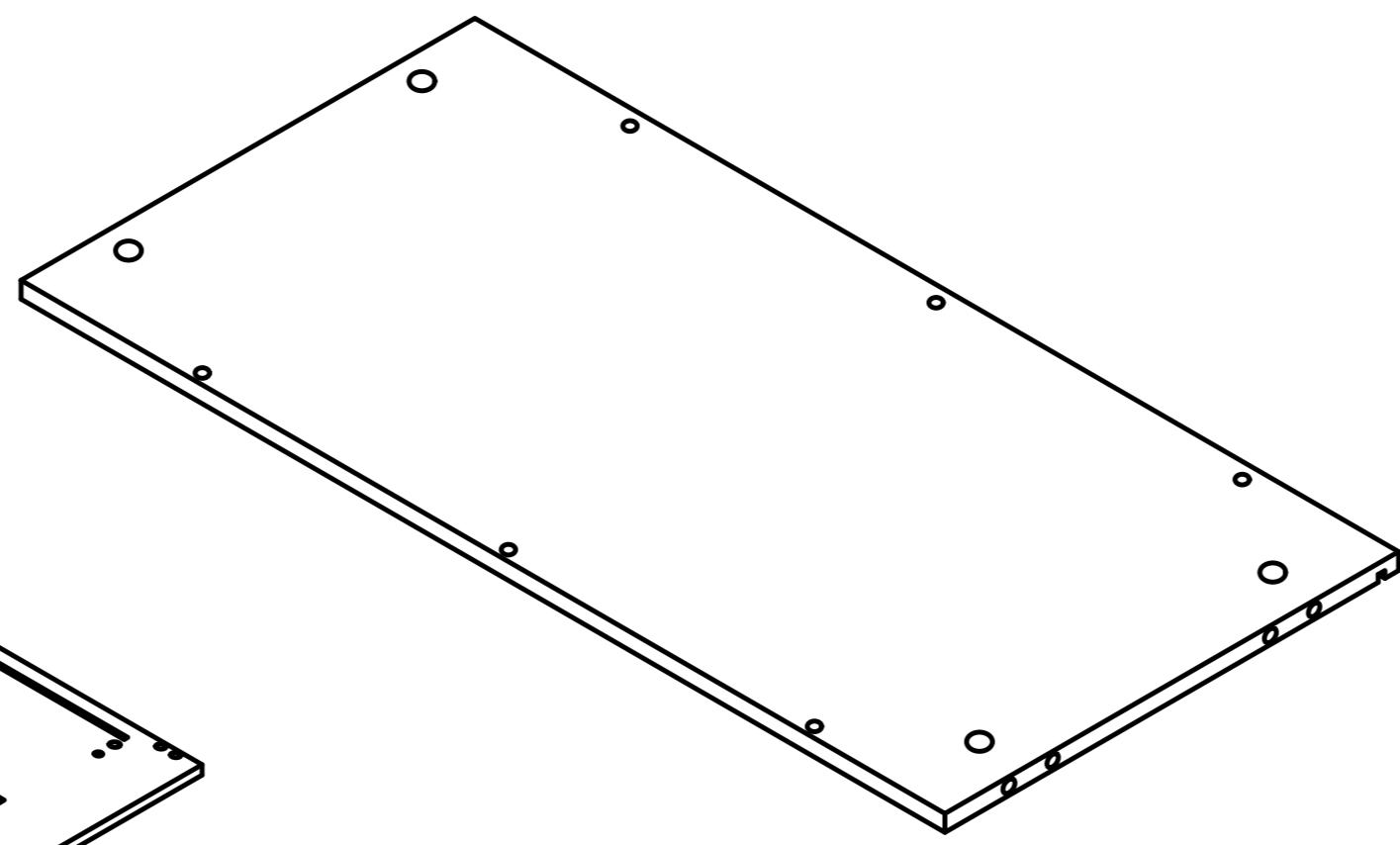


97053 Product Installation Instructions

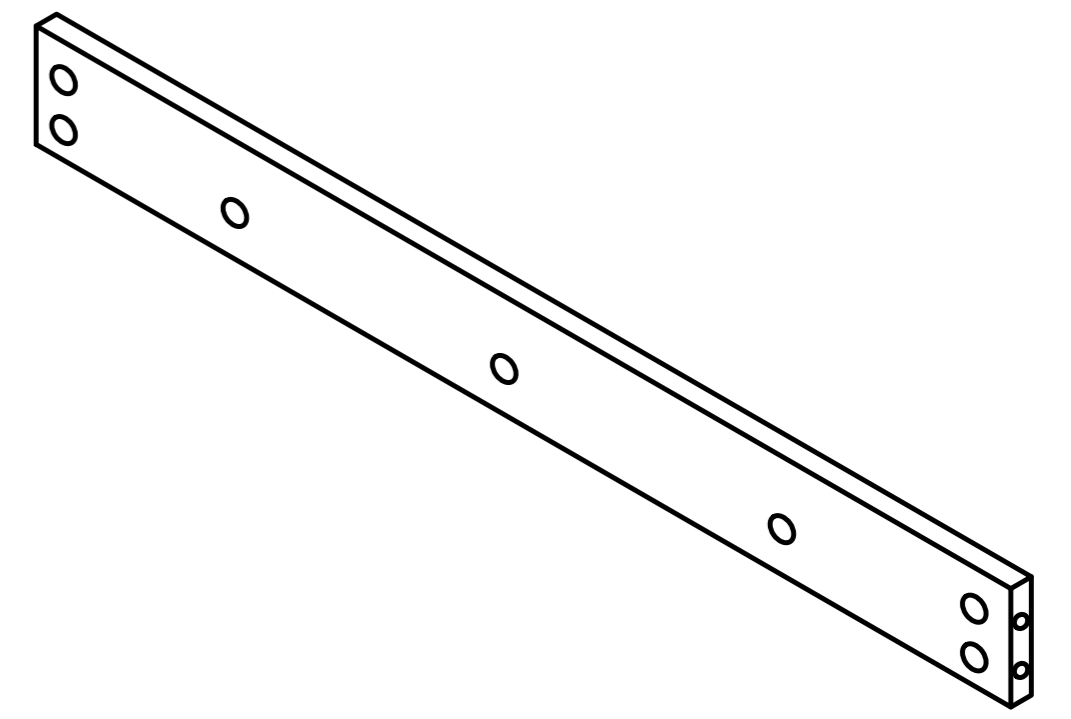




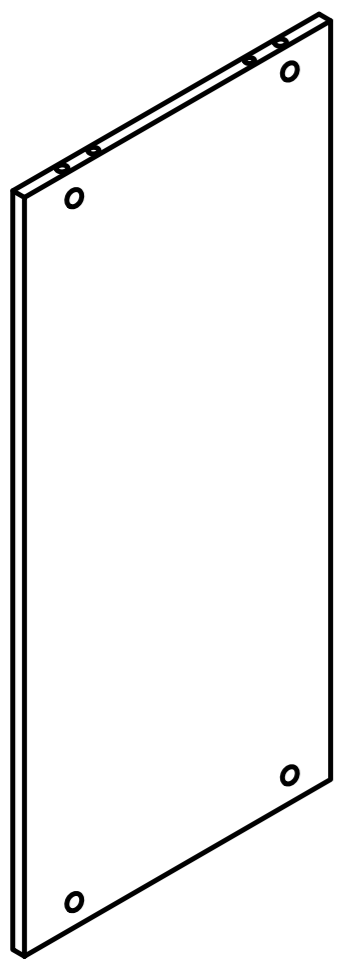
Ax1



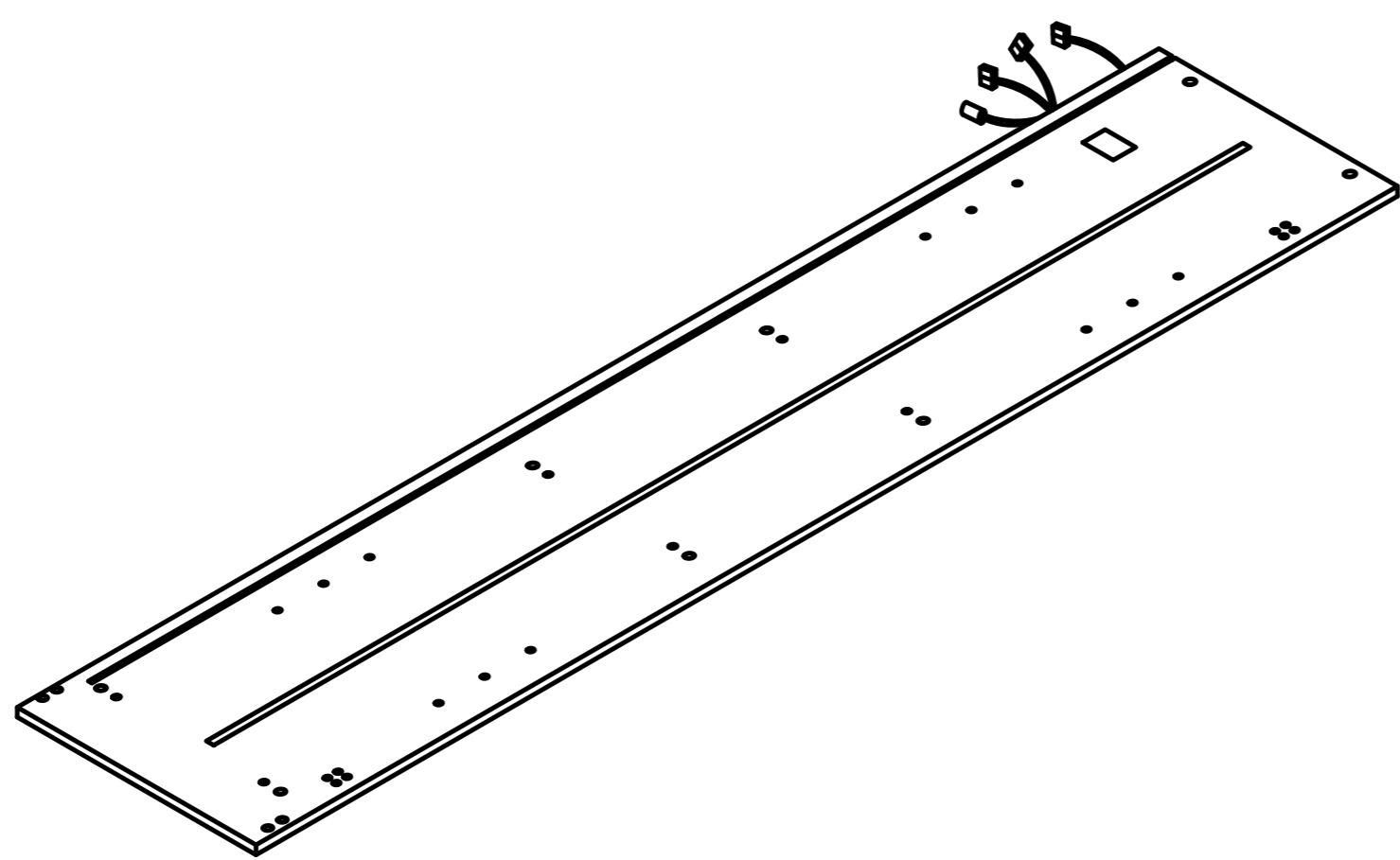
Bx1



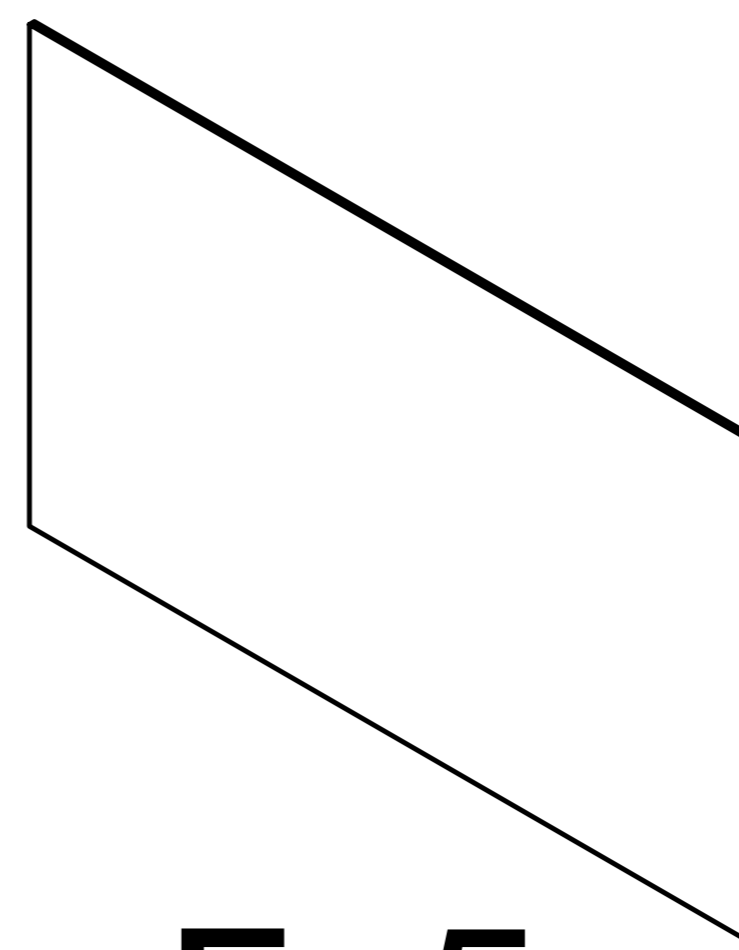
Cx2



Dx2



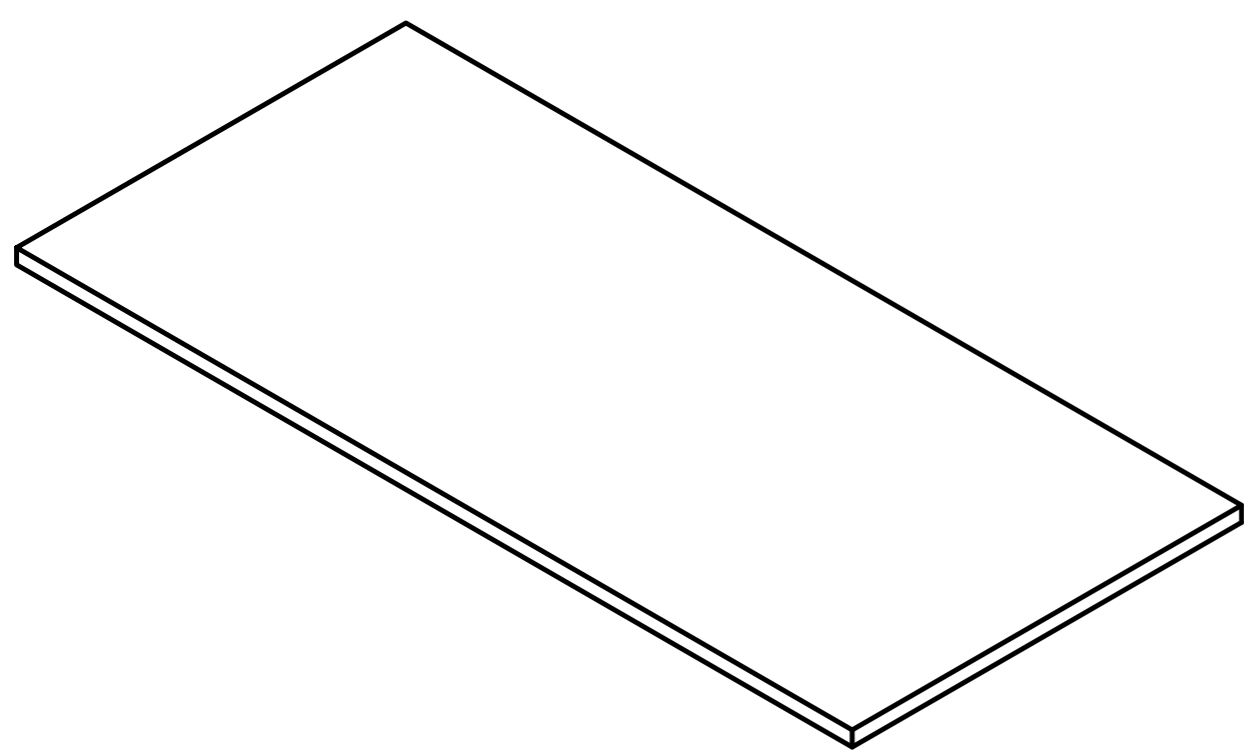
Ex1



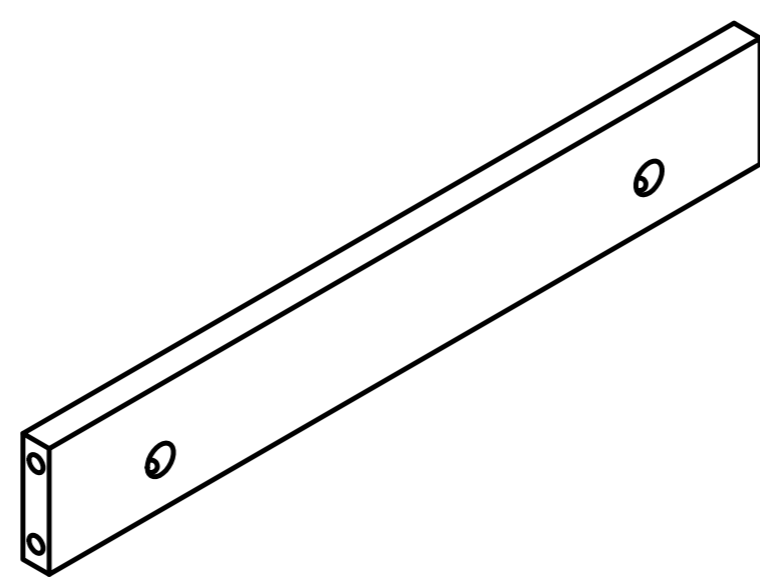
Fx5



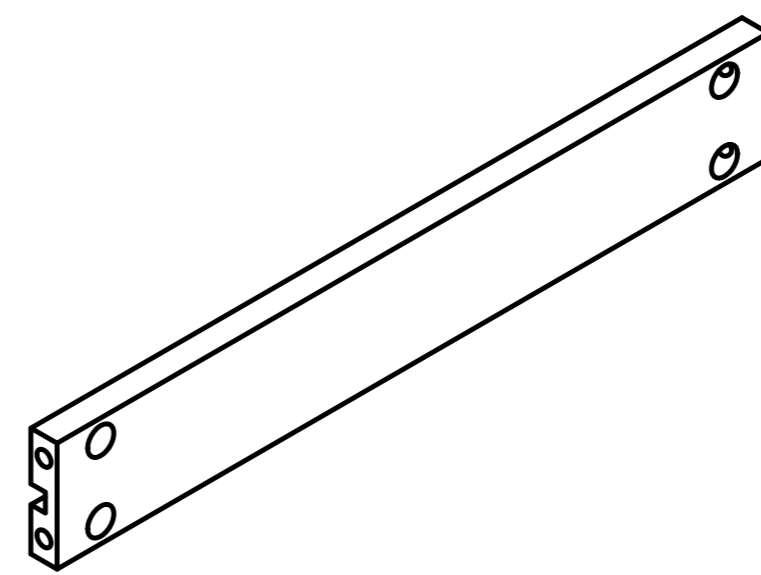
Gx1



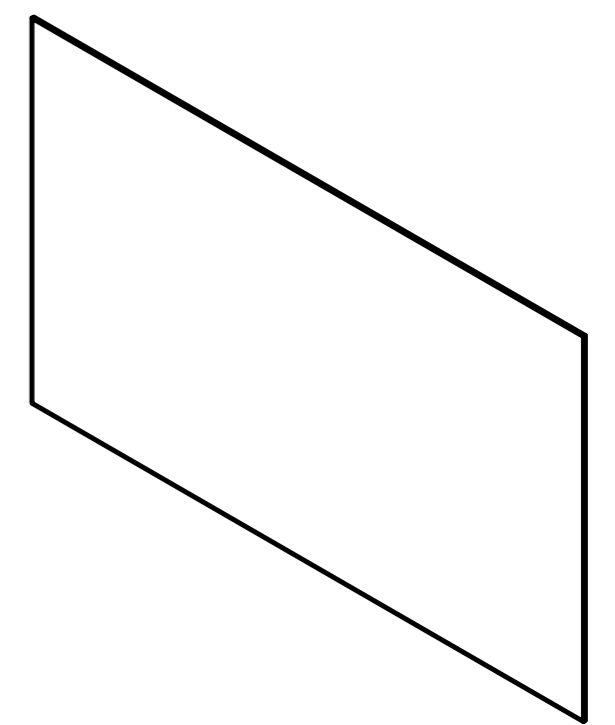
Hx2



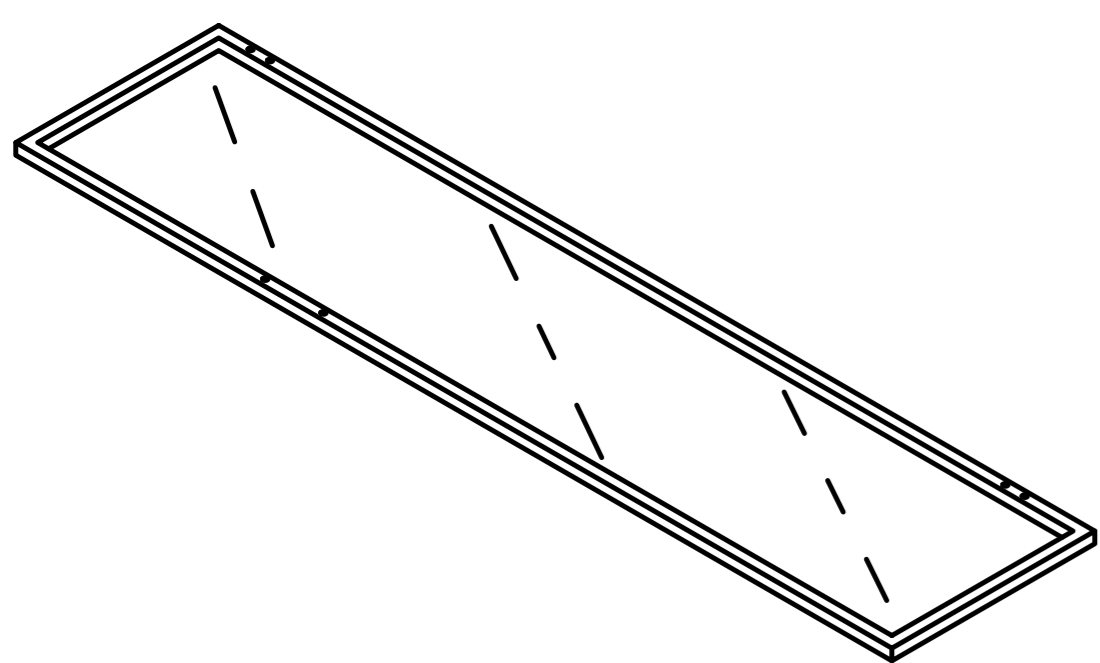
Ix2



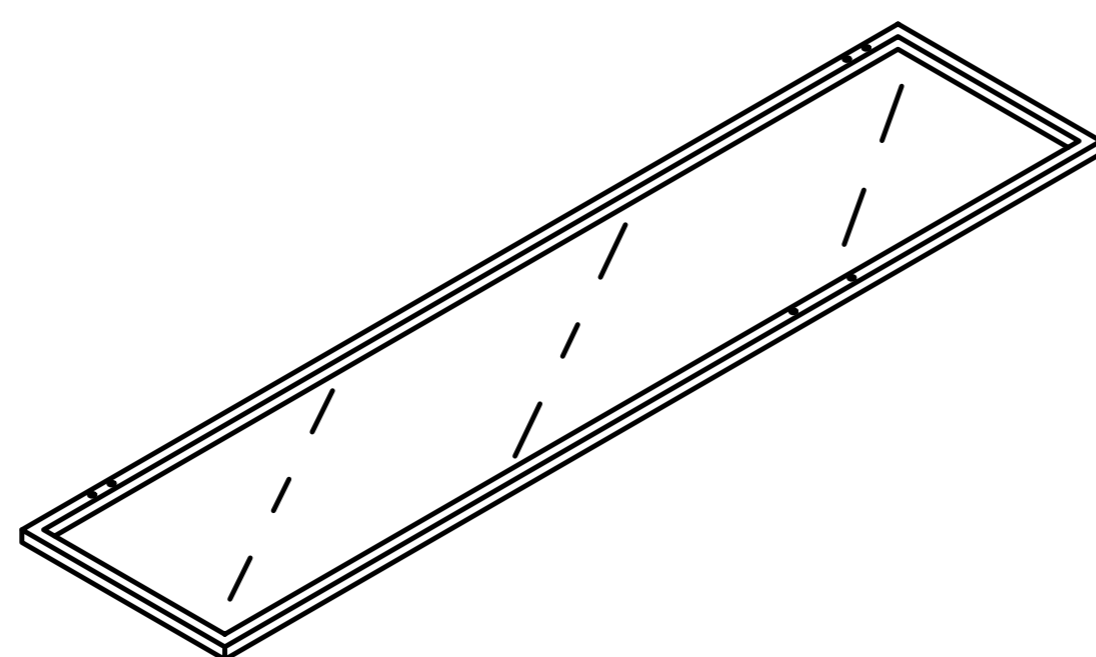
Jx1



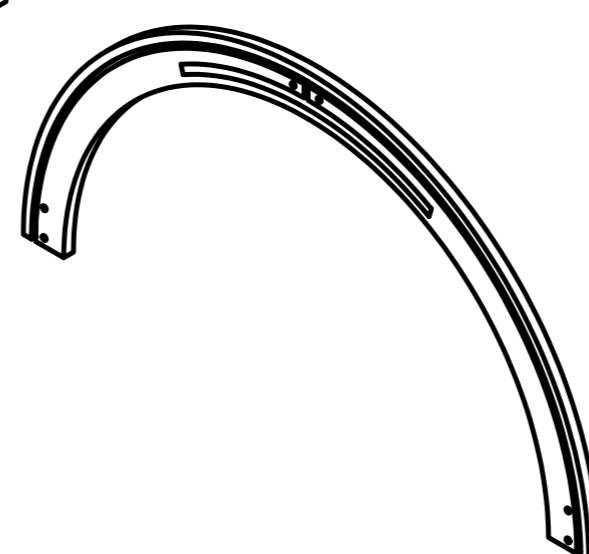
Kx1



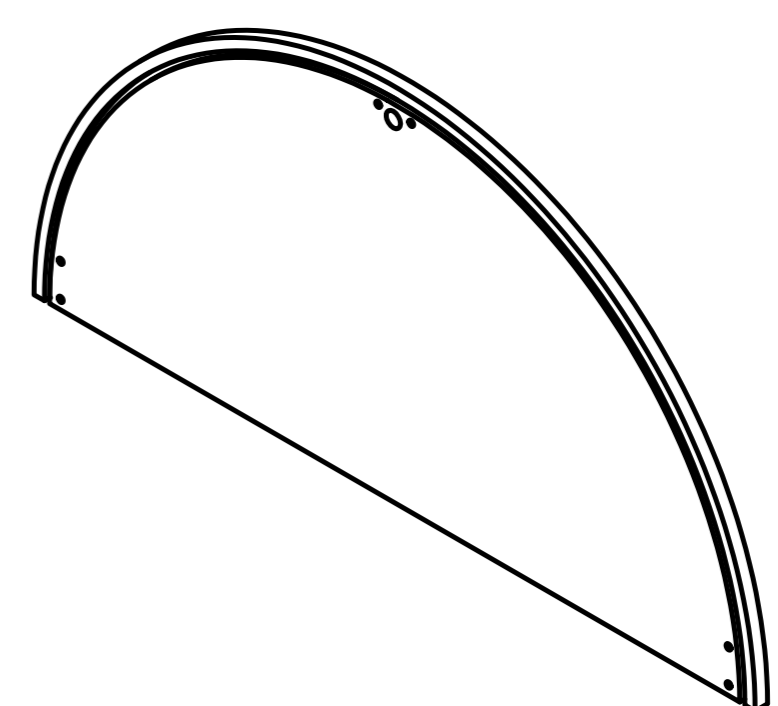
Lx1



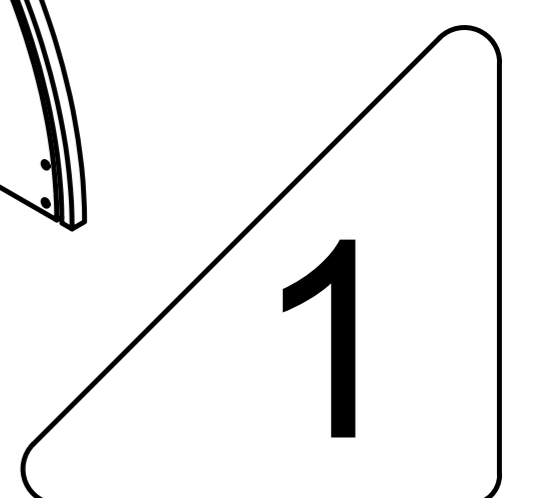
Mx1



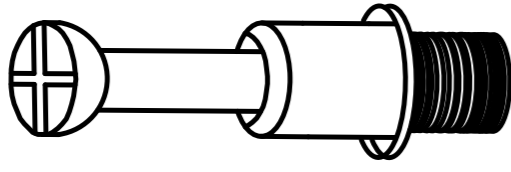
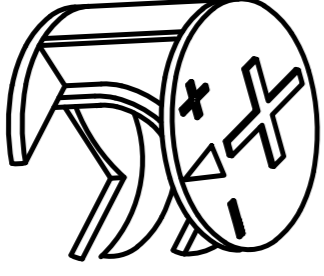
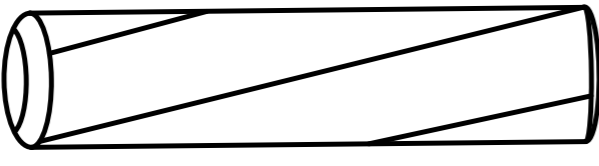
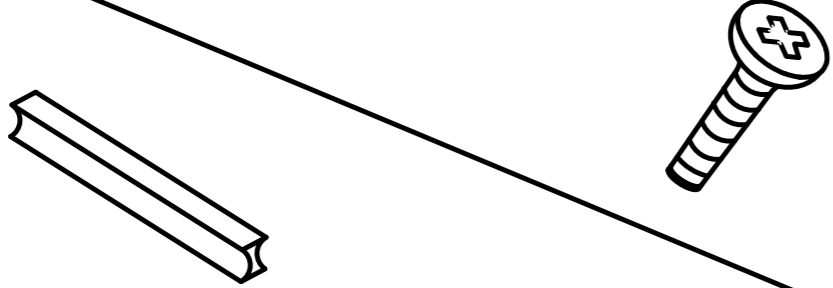

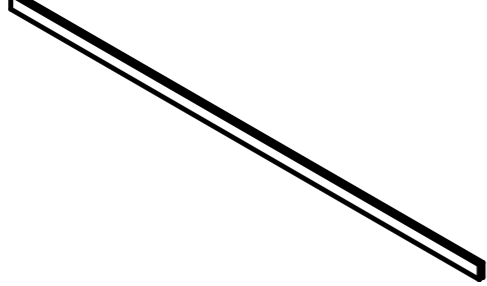
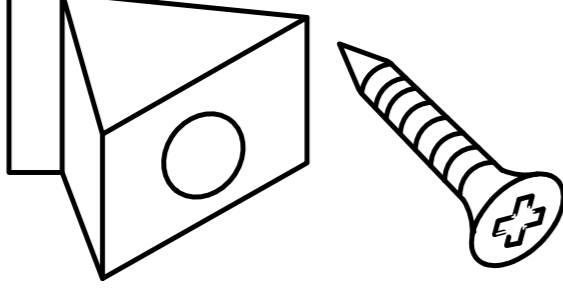
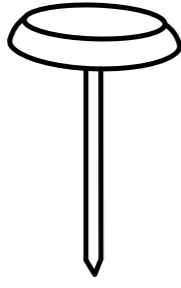
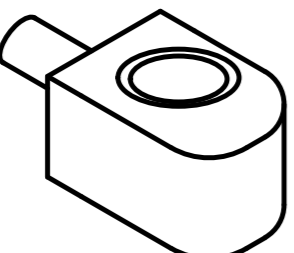
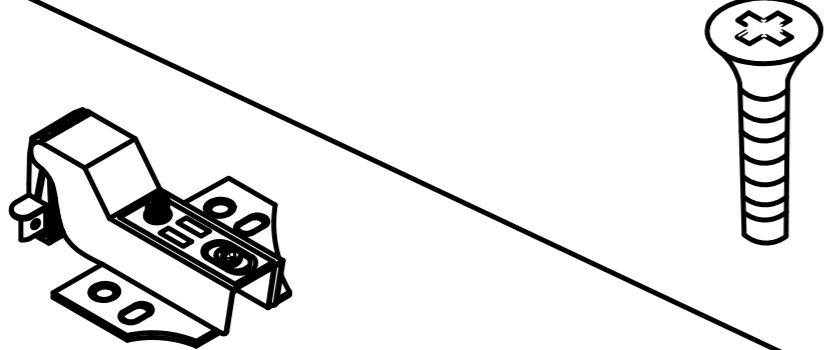
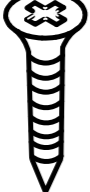
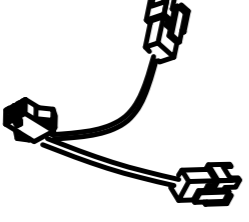

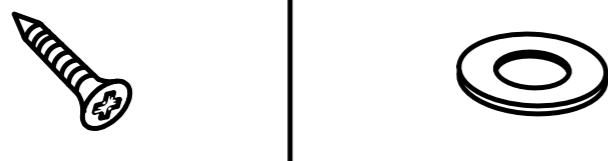
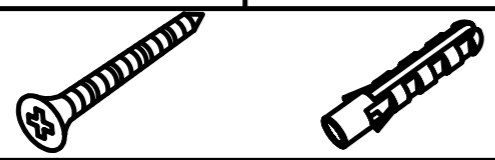
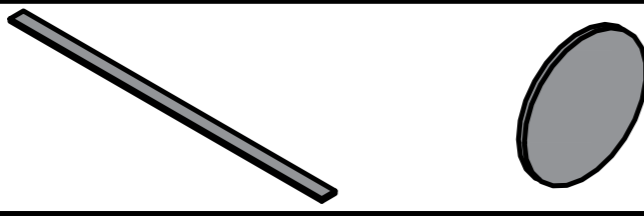

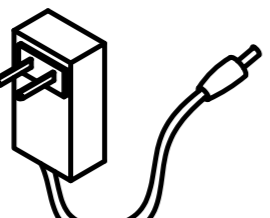
Nx1

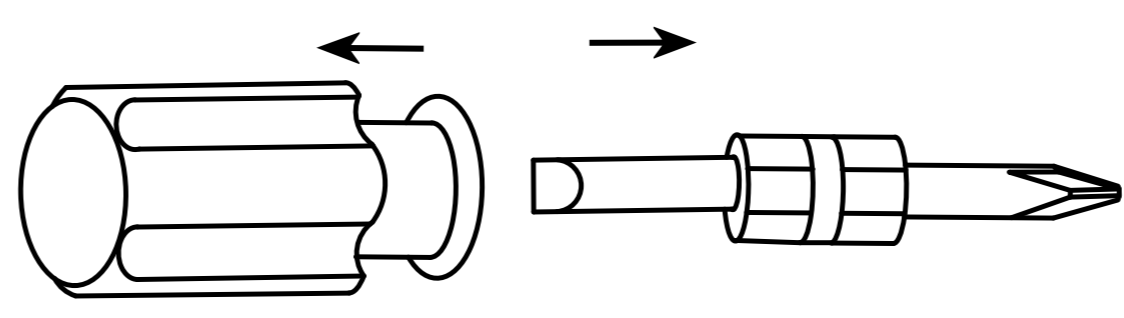
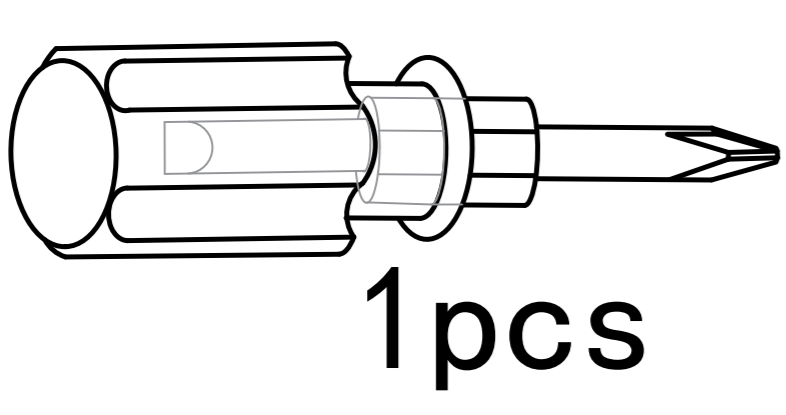


Ox1



1

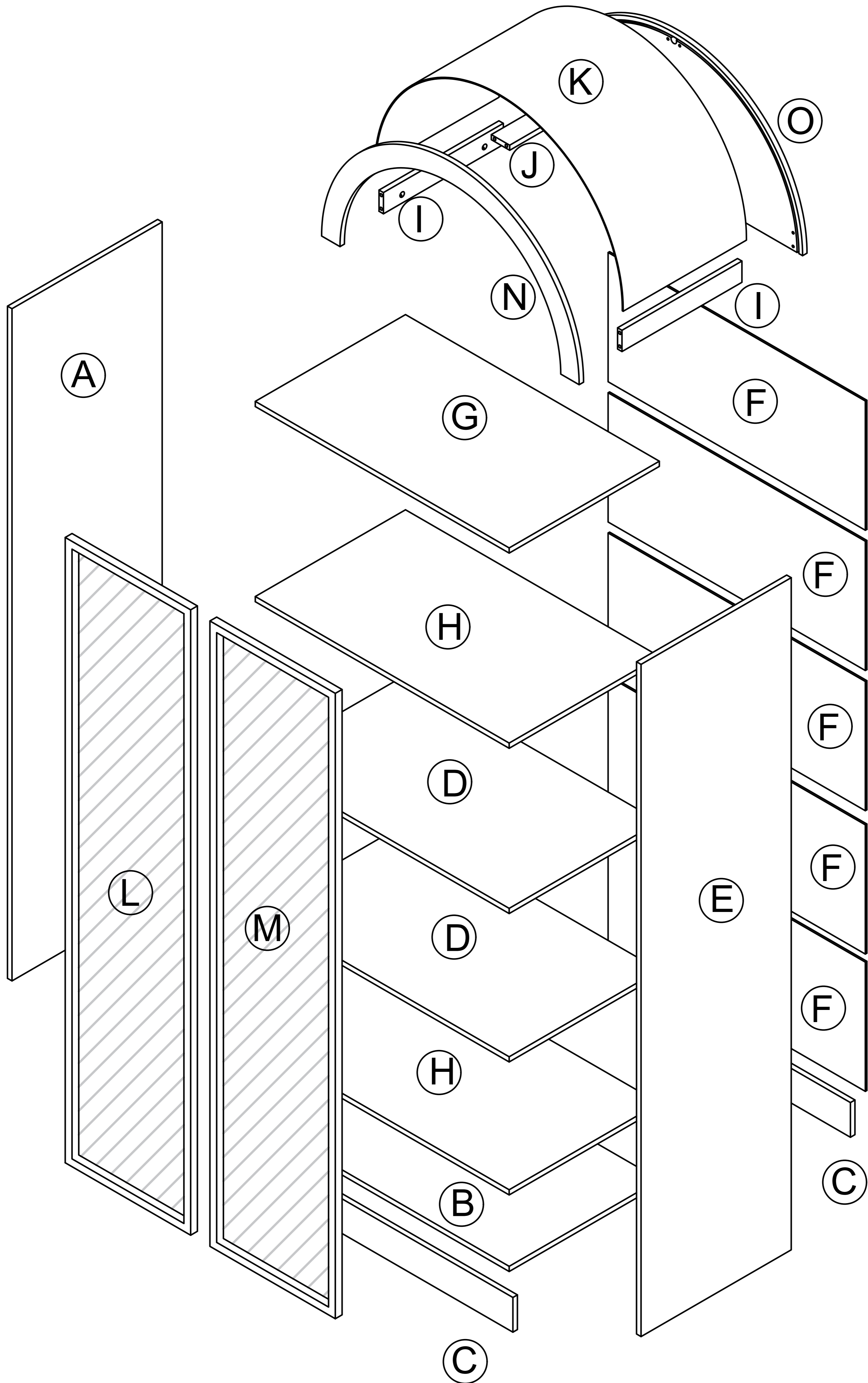
①		Two in one screw (6x28mm)	49pcs +4pcs
②		Two in one nut (10x12mm)	49pcs +4pcs
③		Wood chipping (6x30mm)	16pcs +4pcs
④		Handle & screw (4x18mm)	4pcs +1pcs 2pcs
⑤		Non-slip pads	6pcs +2pcs
⑥		Backboard card strip	2pcs
⑦		Fixing clip & screw (3x16mm)	10pcs +4pcs
⑧		Foot nail	4pcs
⑨		Laminate Support Nail	8pcs +1pcs
⑩		Hinge & Screw (4x10mm)	8pcs 4pcs
⑪		Screw (3.5x12mm)	16pcs +4pcs
⑫		Forked line	1pcs
⑬		anti-tipping tape Screw & gasket (3.5x14mm) Screw (4x45mm)	1pcs
			1pcs 2pcs
			1pcs
⑭		Sticker (φ 20mm)	1pcs 4pcs +2pcs
⑮		Wire	1pcs
		AC/DC Adapter (12V=3.0A)	1pcs

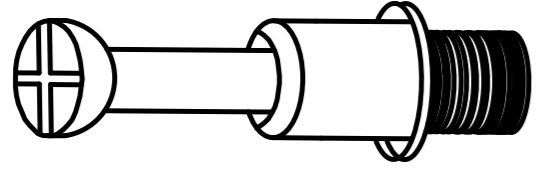

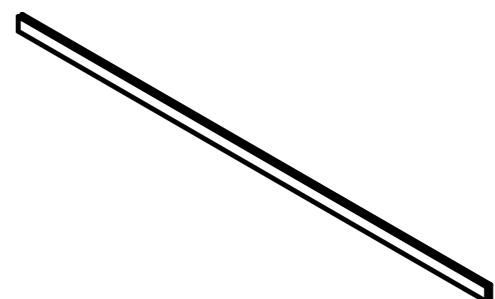
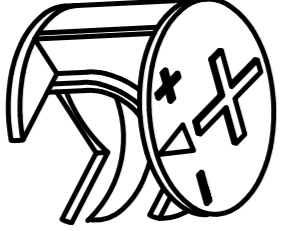

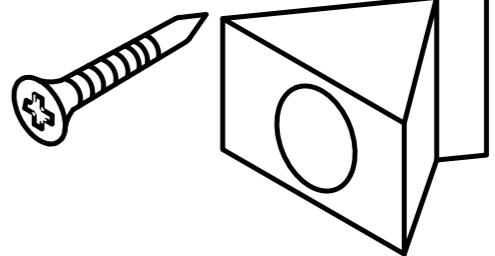
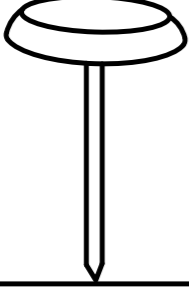
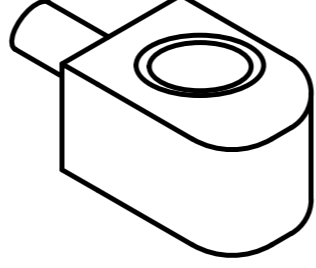
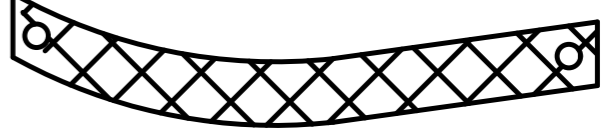
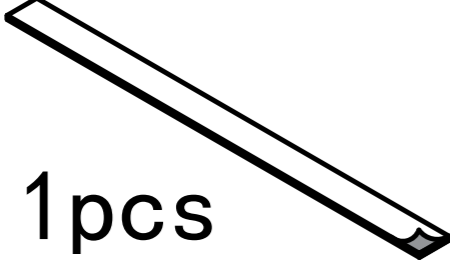
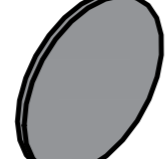




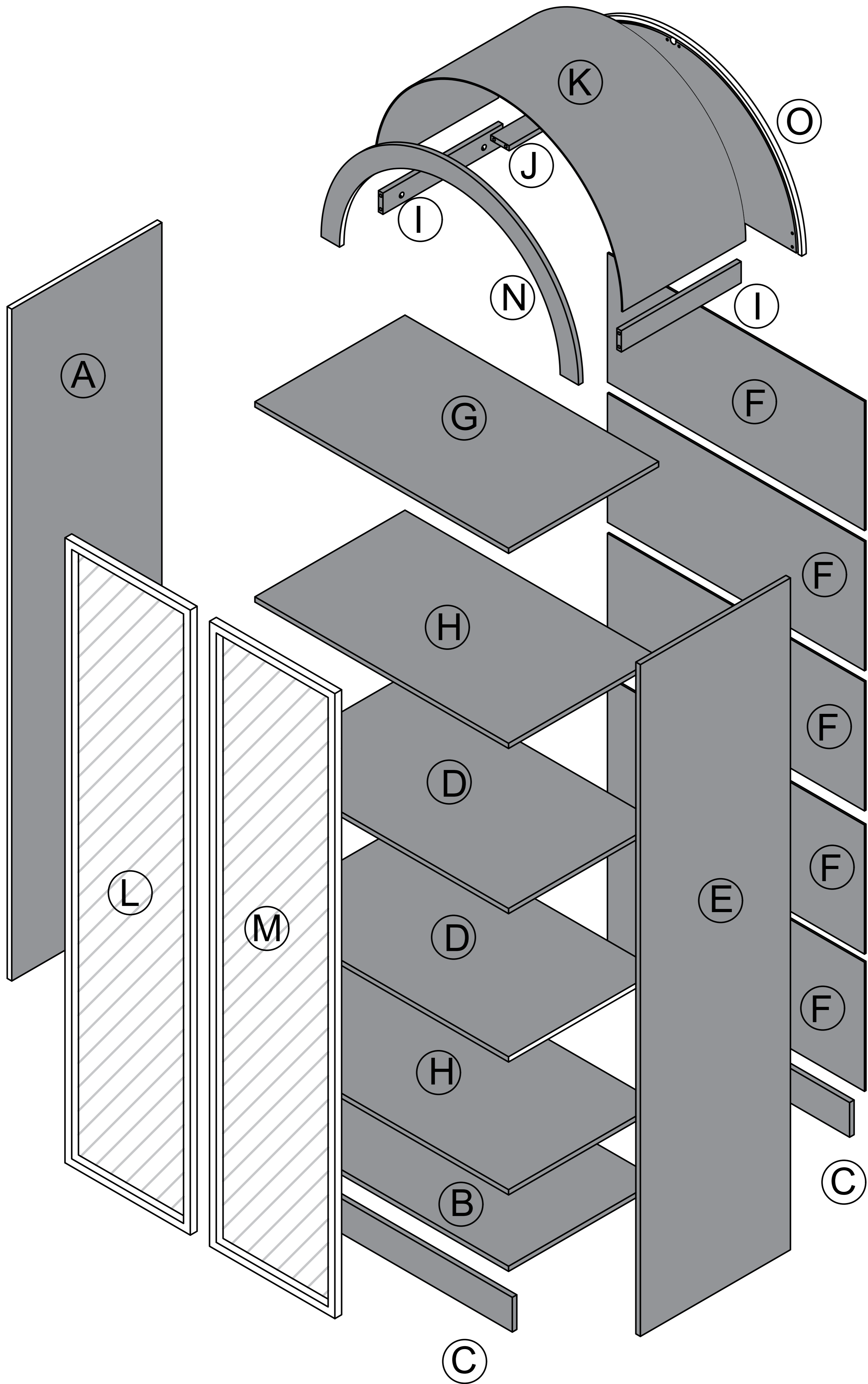
Double-head screwdriver, use as required



Product structure decomposition

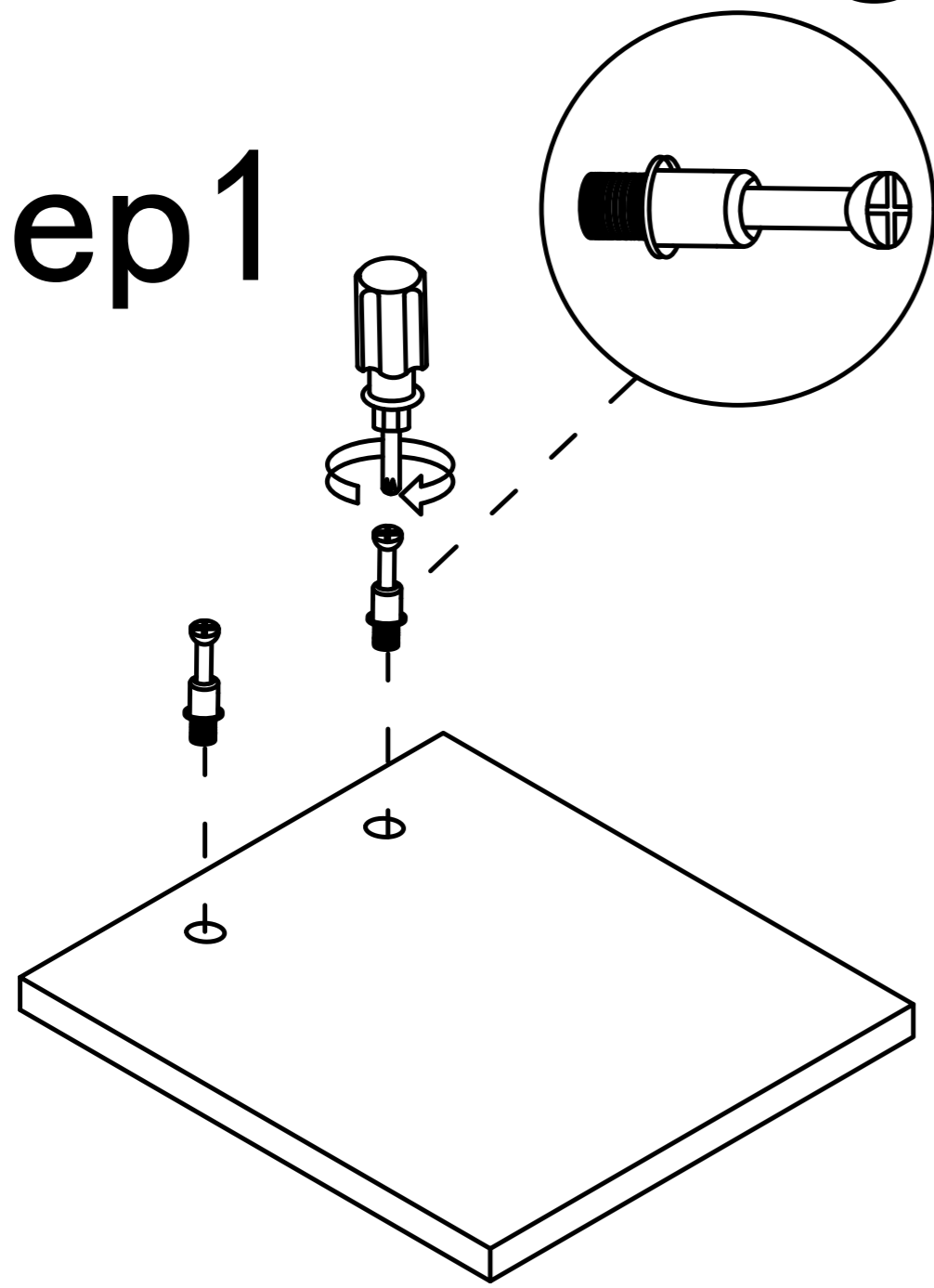


①		49pcs	③		16pcs	⑥		2pcs	
②		49pcs	⑤		6pcs	⑦		10pcs	
⑧		4pcs	⑨		8pcs	⑬		1pcs	
⑭		1pcs		4pcs	⑮			1pcs	 1pcs

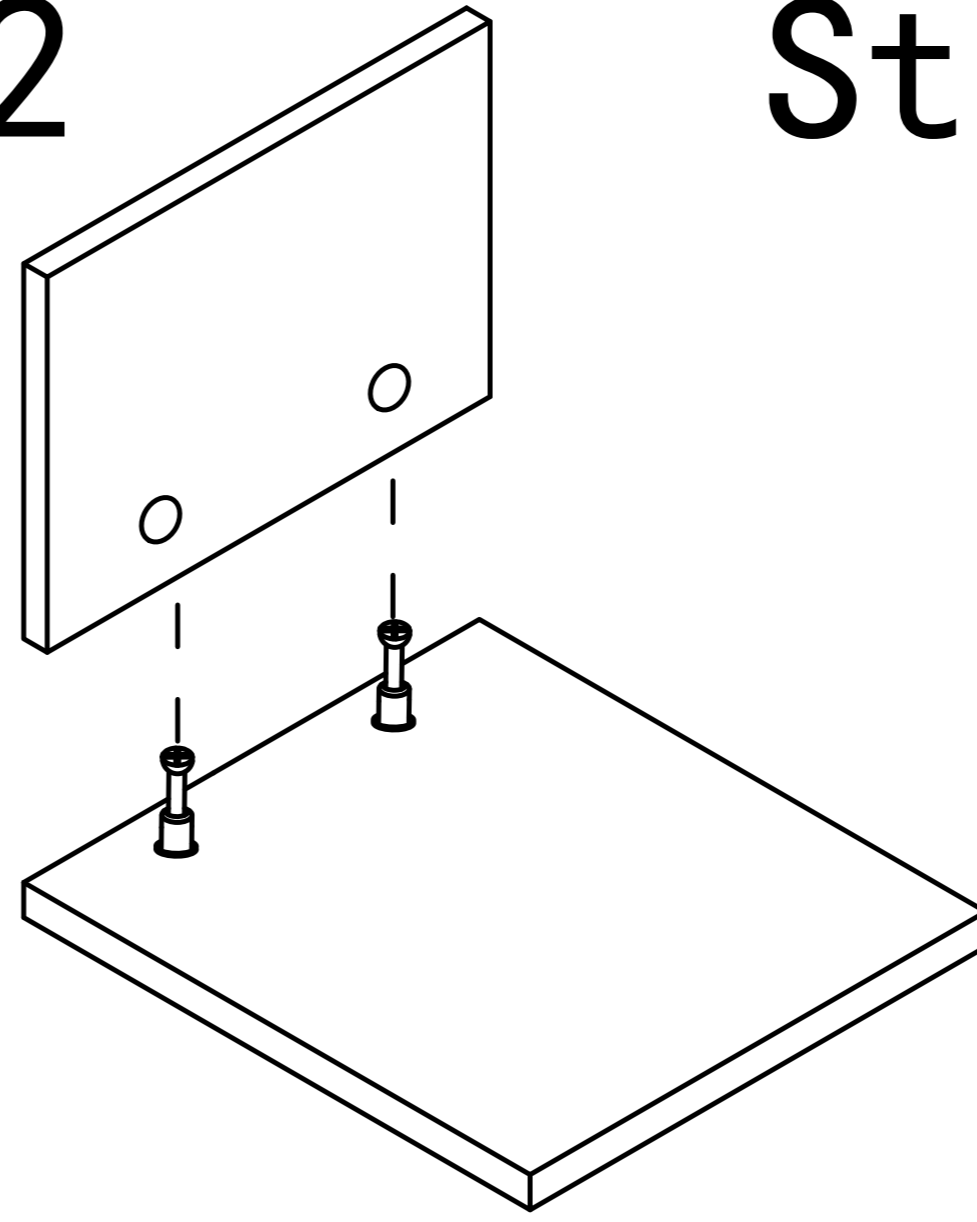


Use parts ① and ②

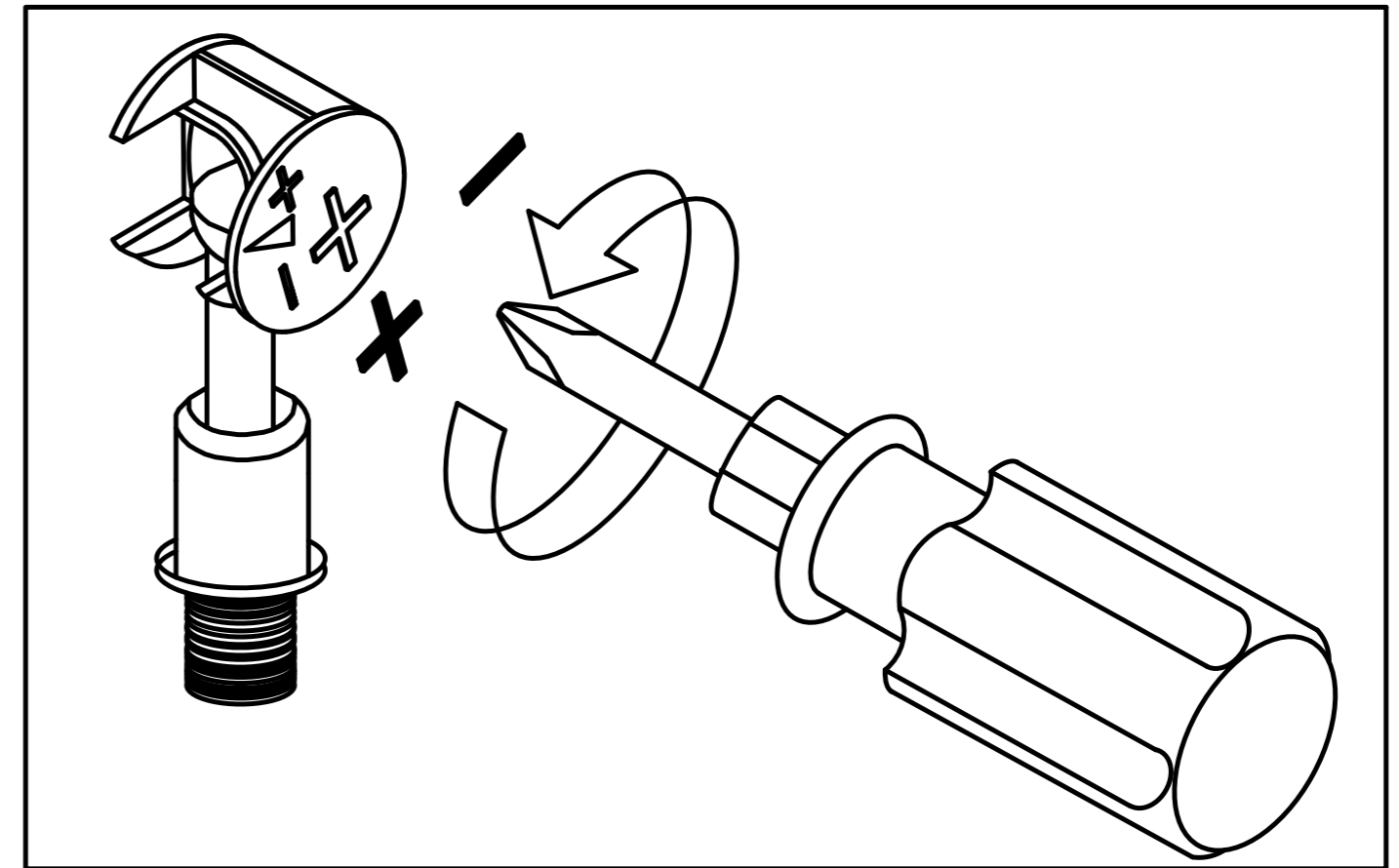
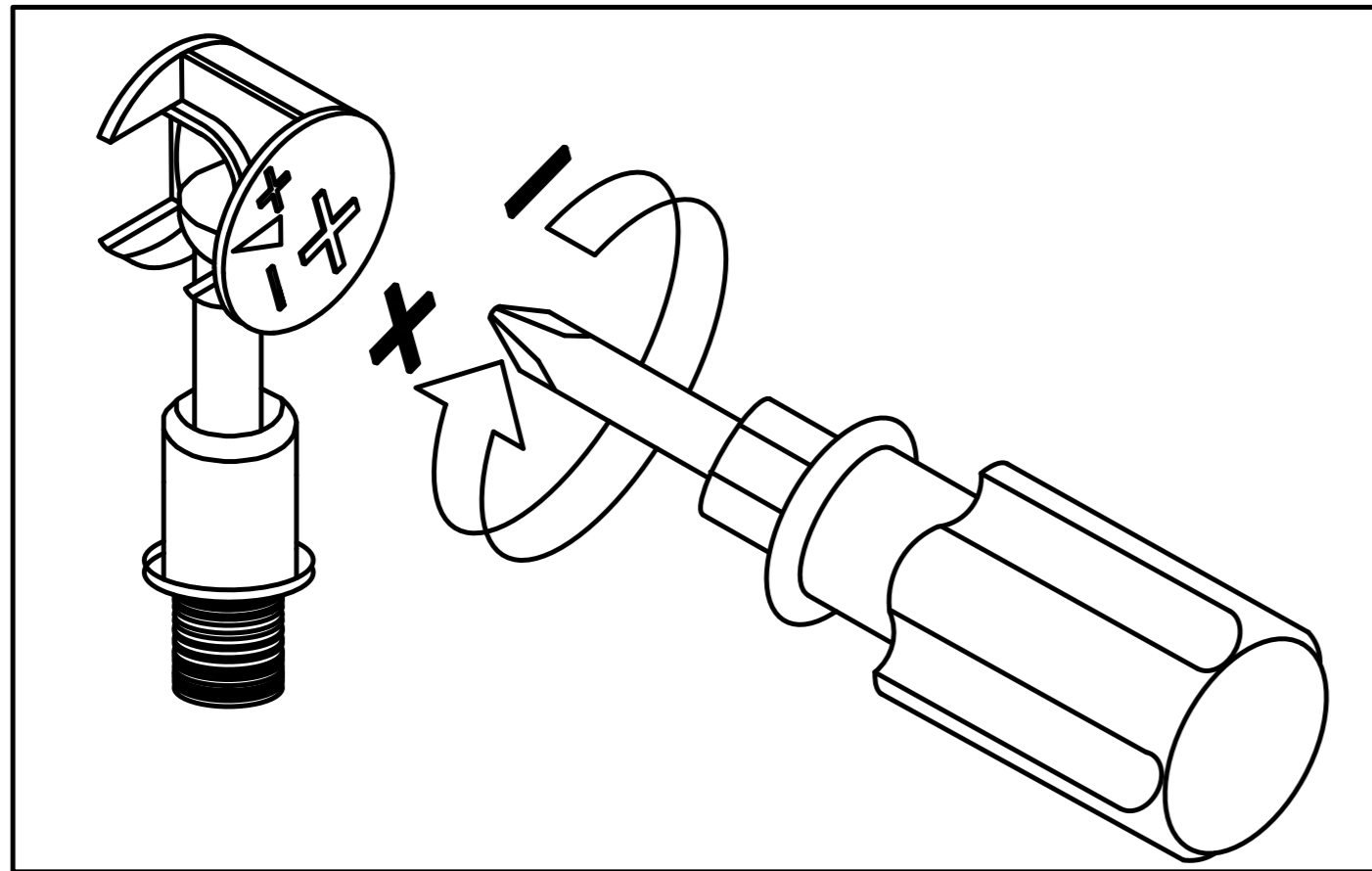
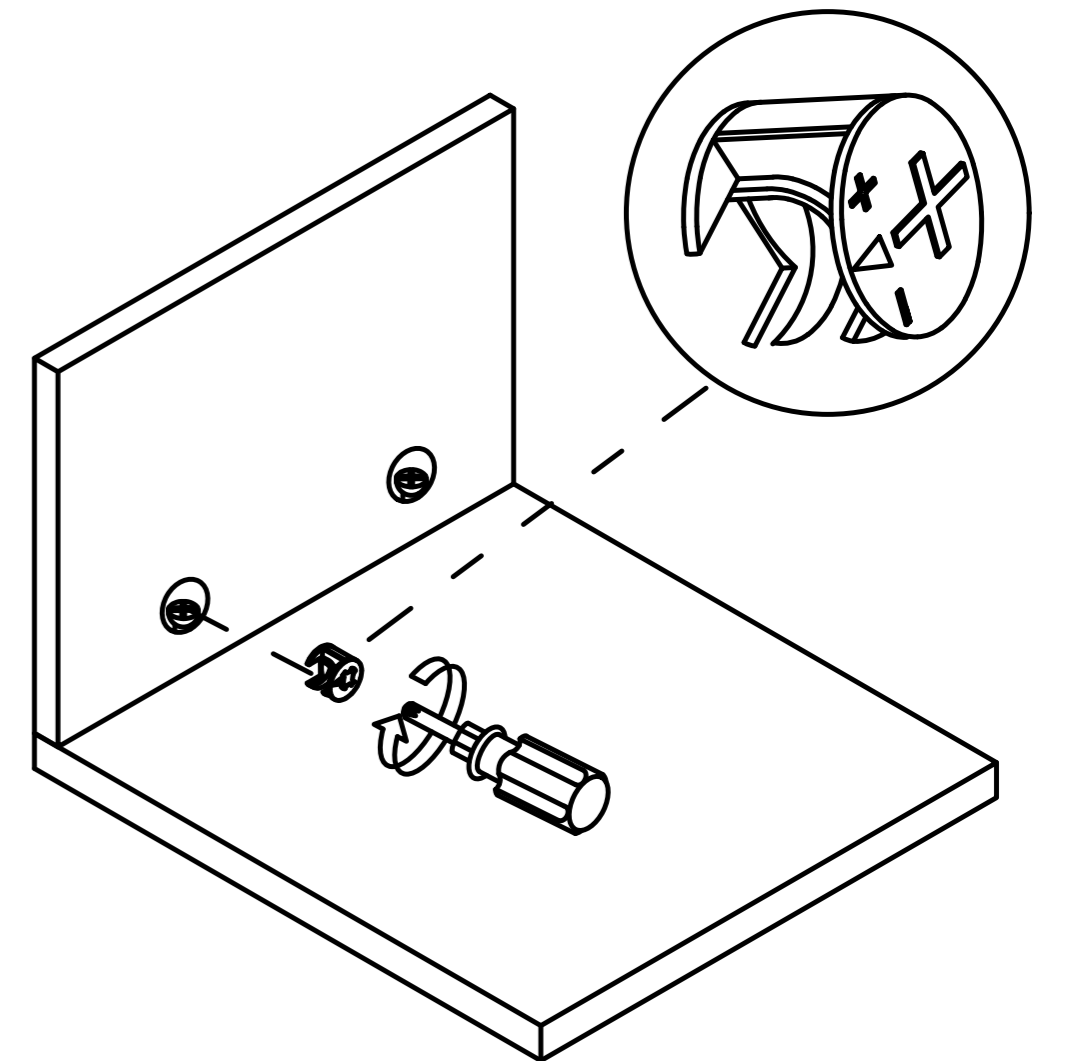
Step 1



Step 2



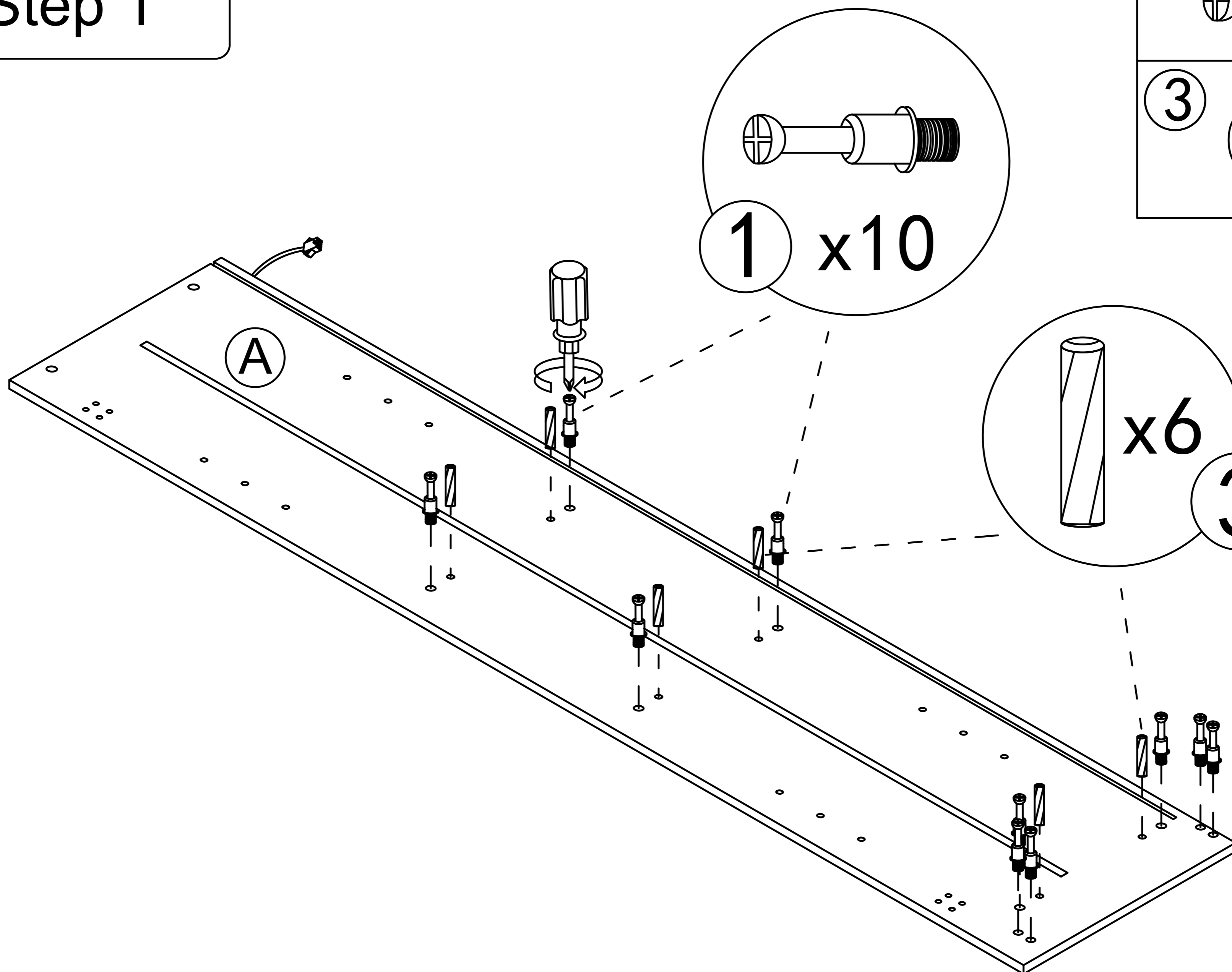
Step 3

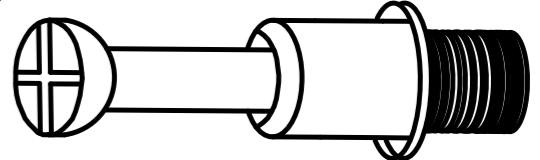
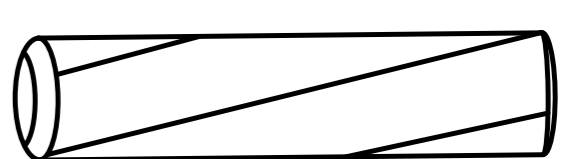


Use a screwdriver to lock in the direction of the "+" sign

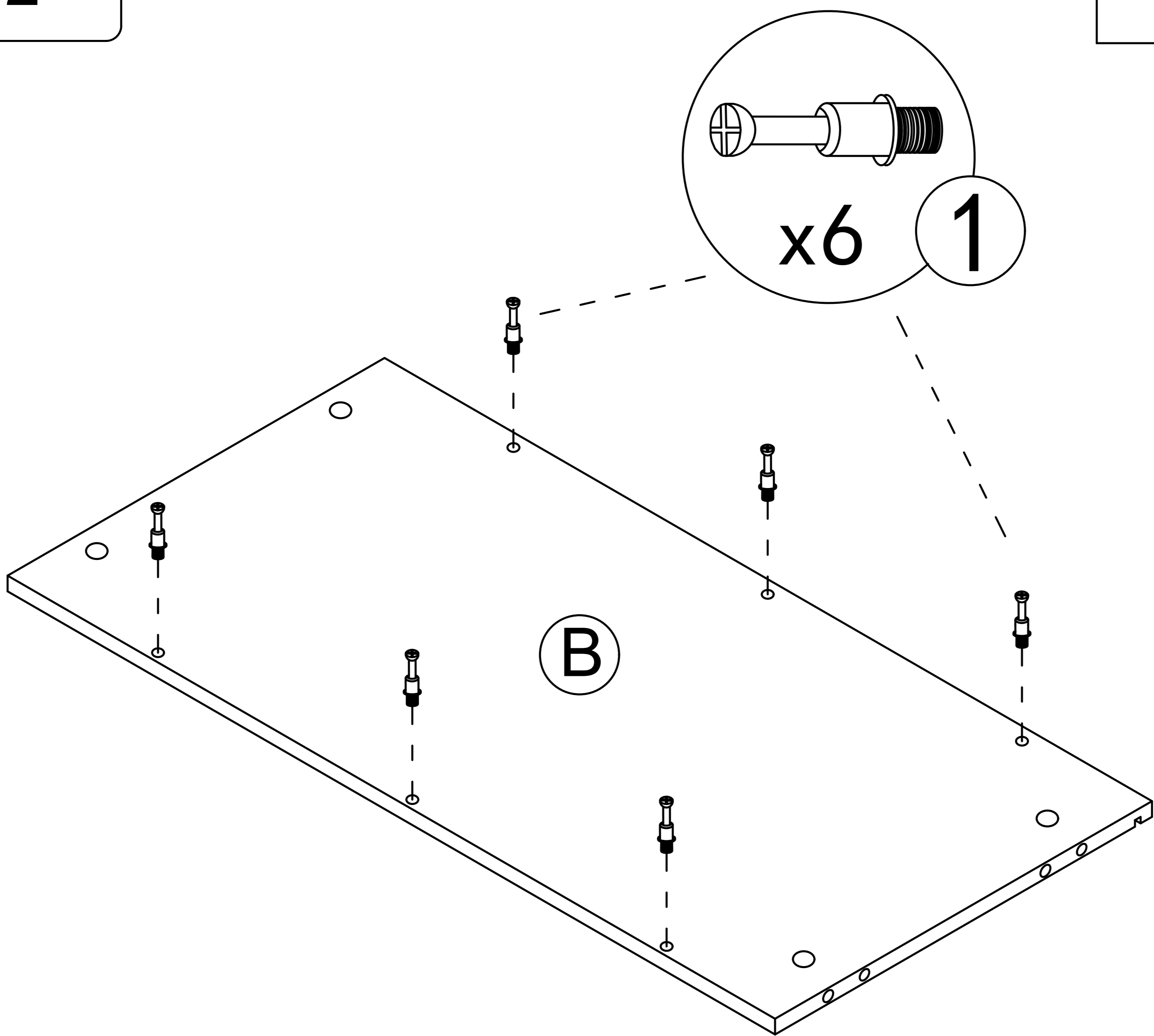
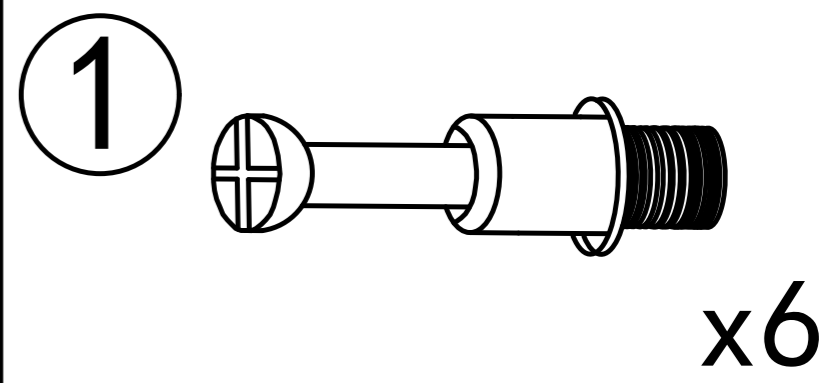
Disassemble along the direction of "-" sign

Step 1

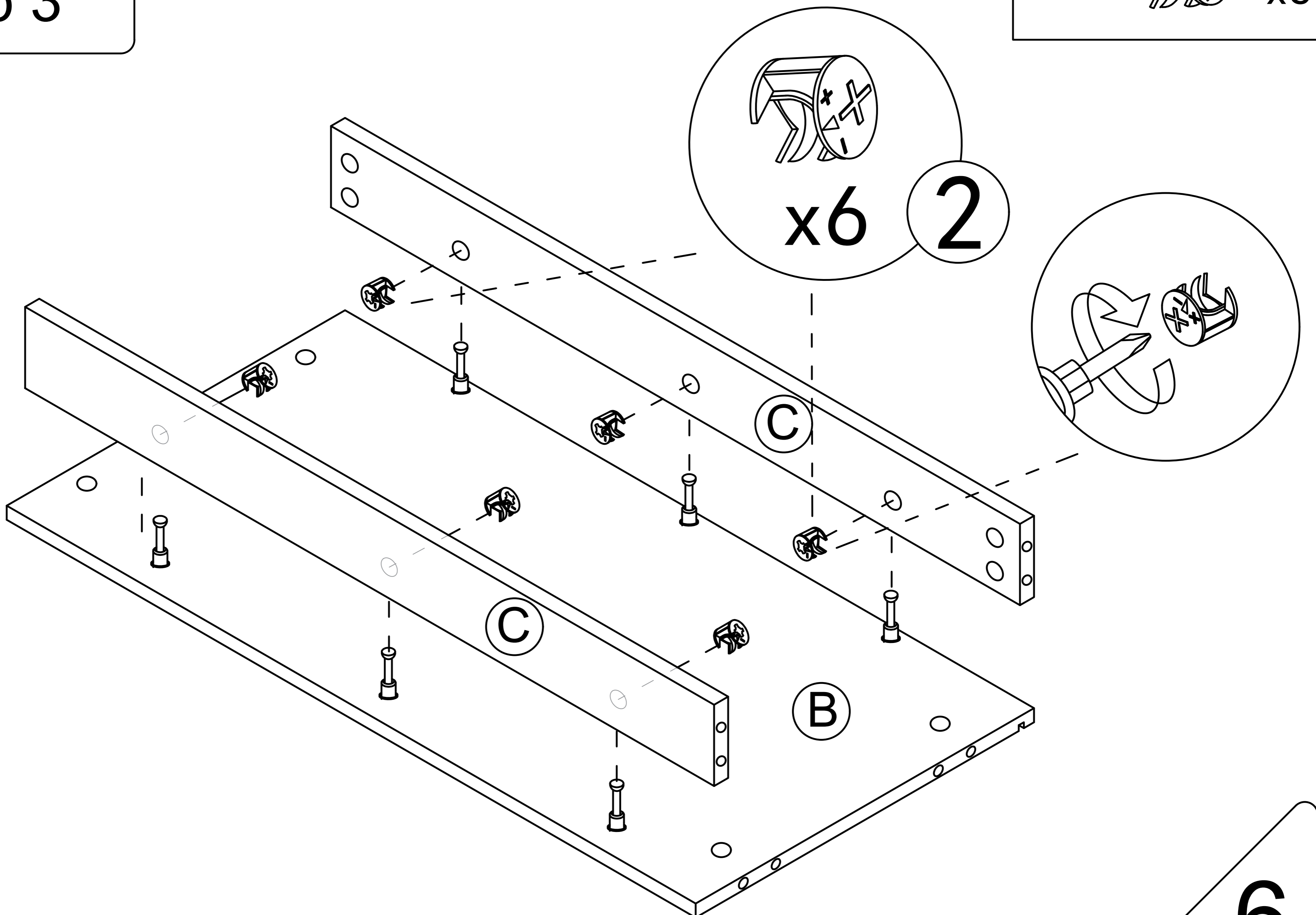
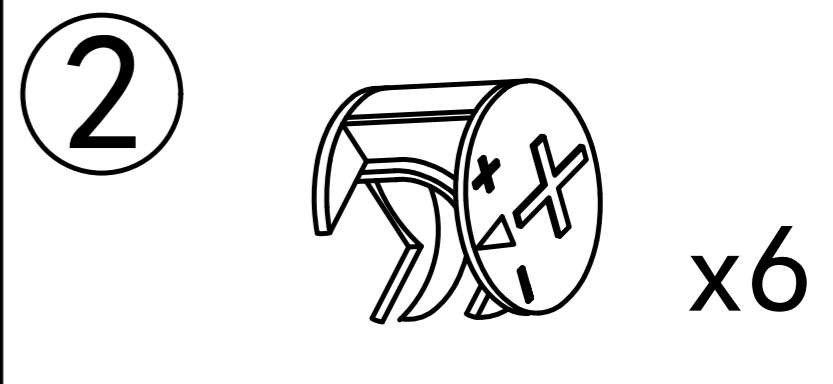


- ①  x10
- ③  x6

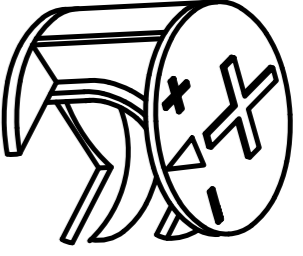
Step 2

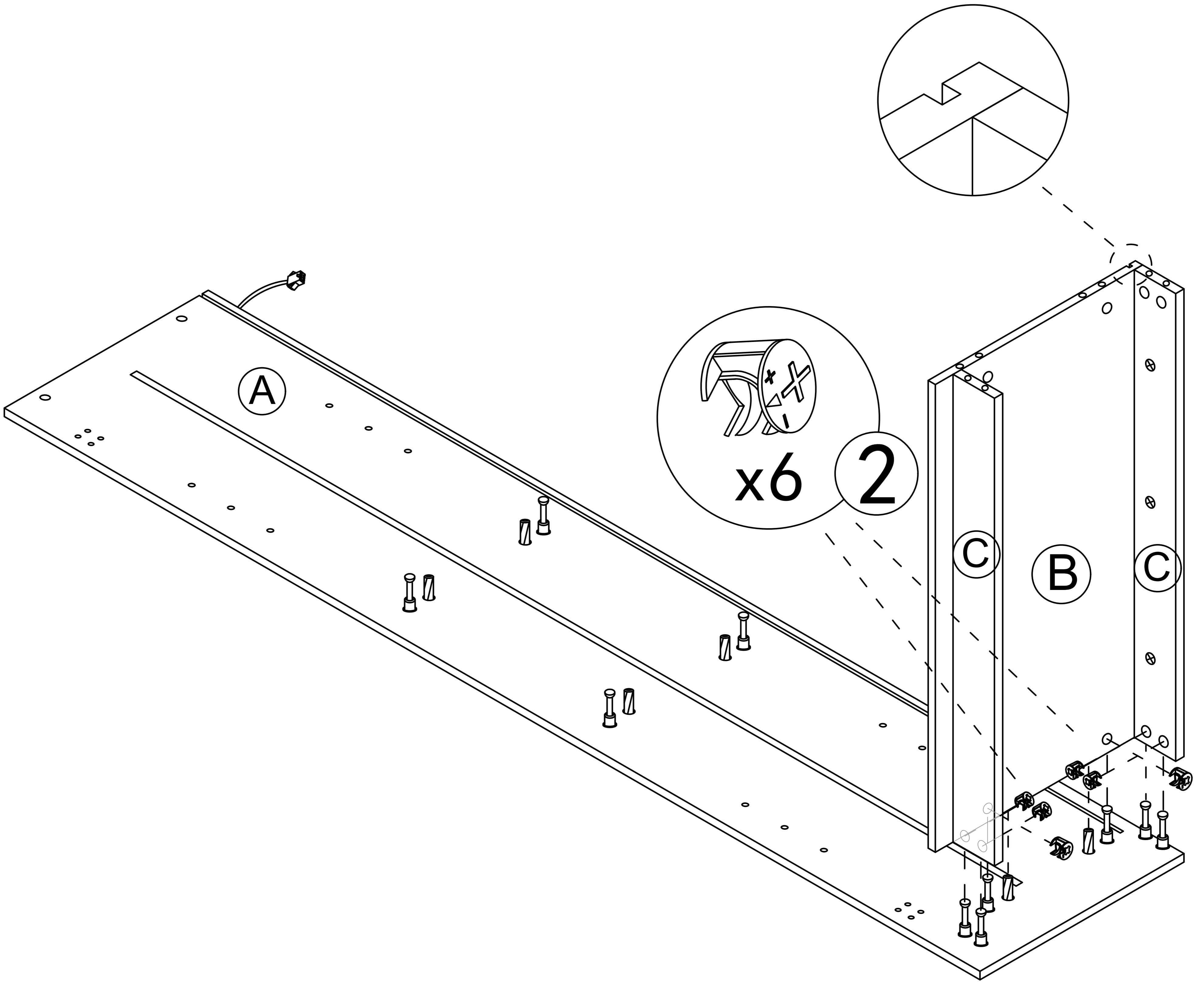


Step 3

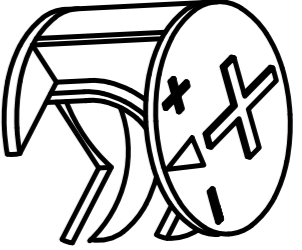


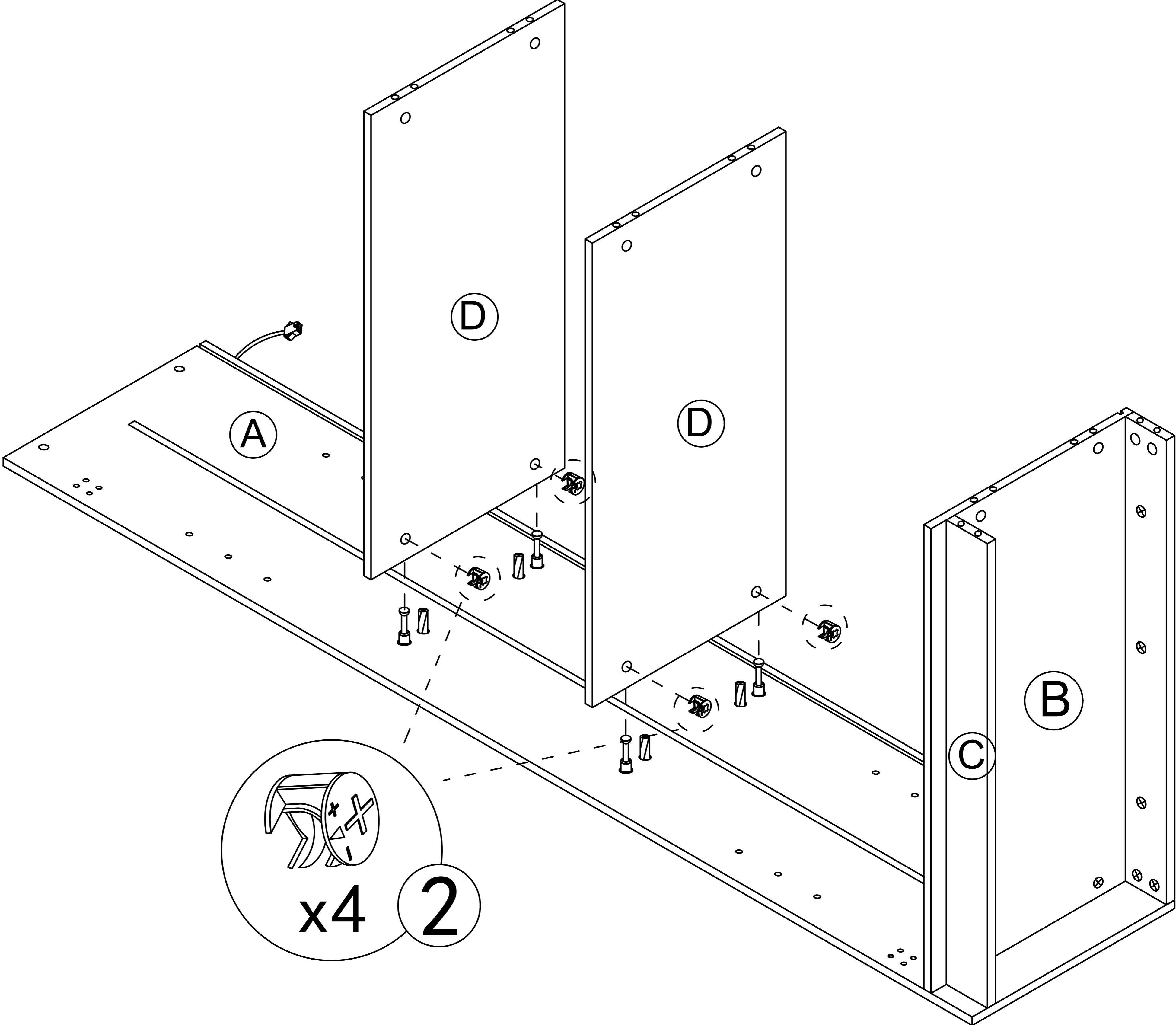
Step 4

2  x6

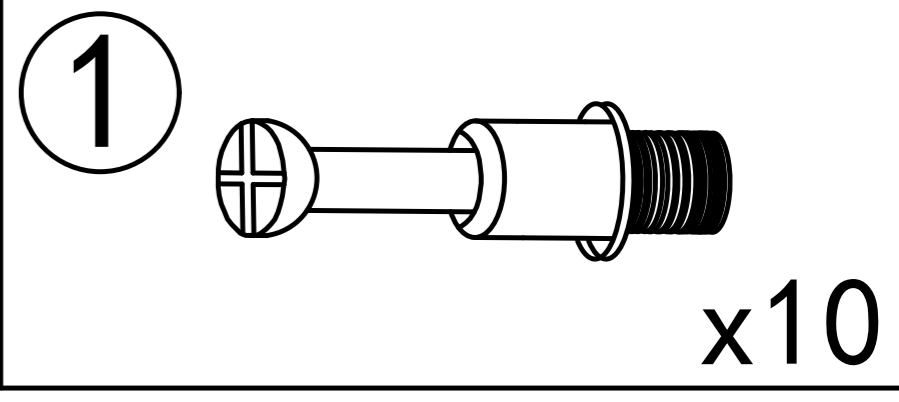
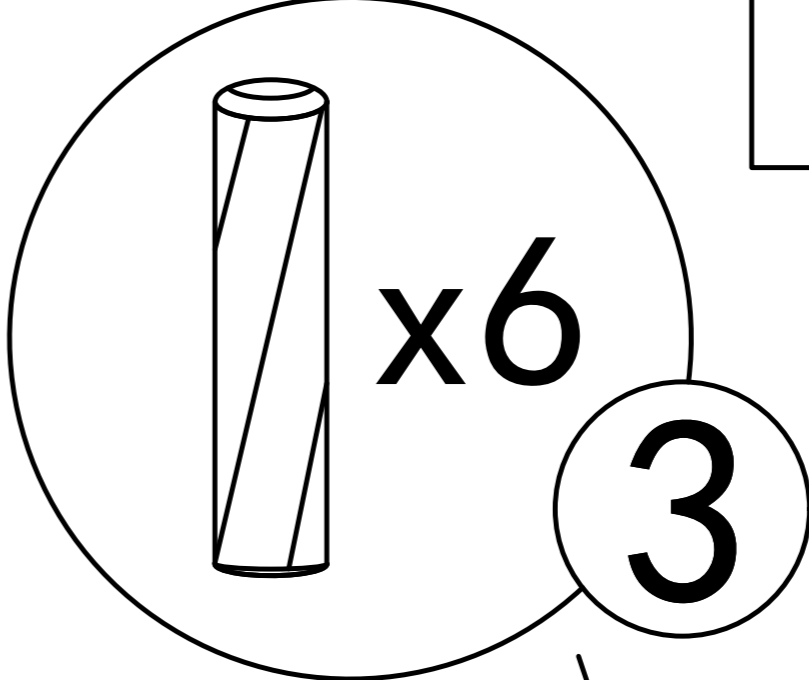
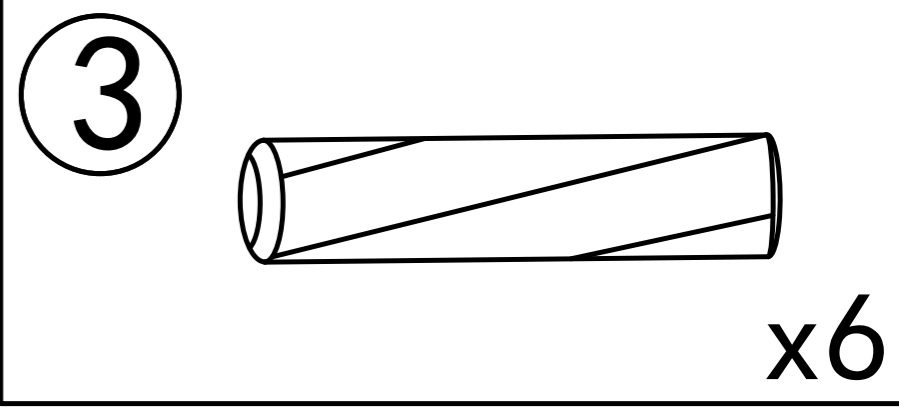
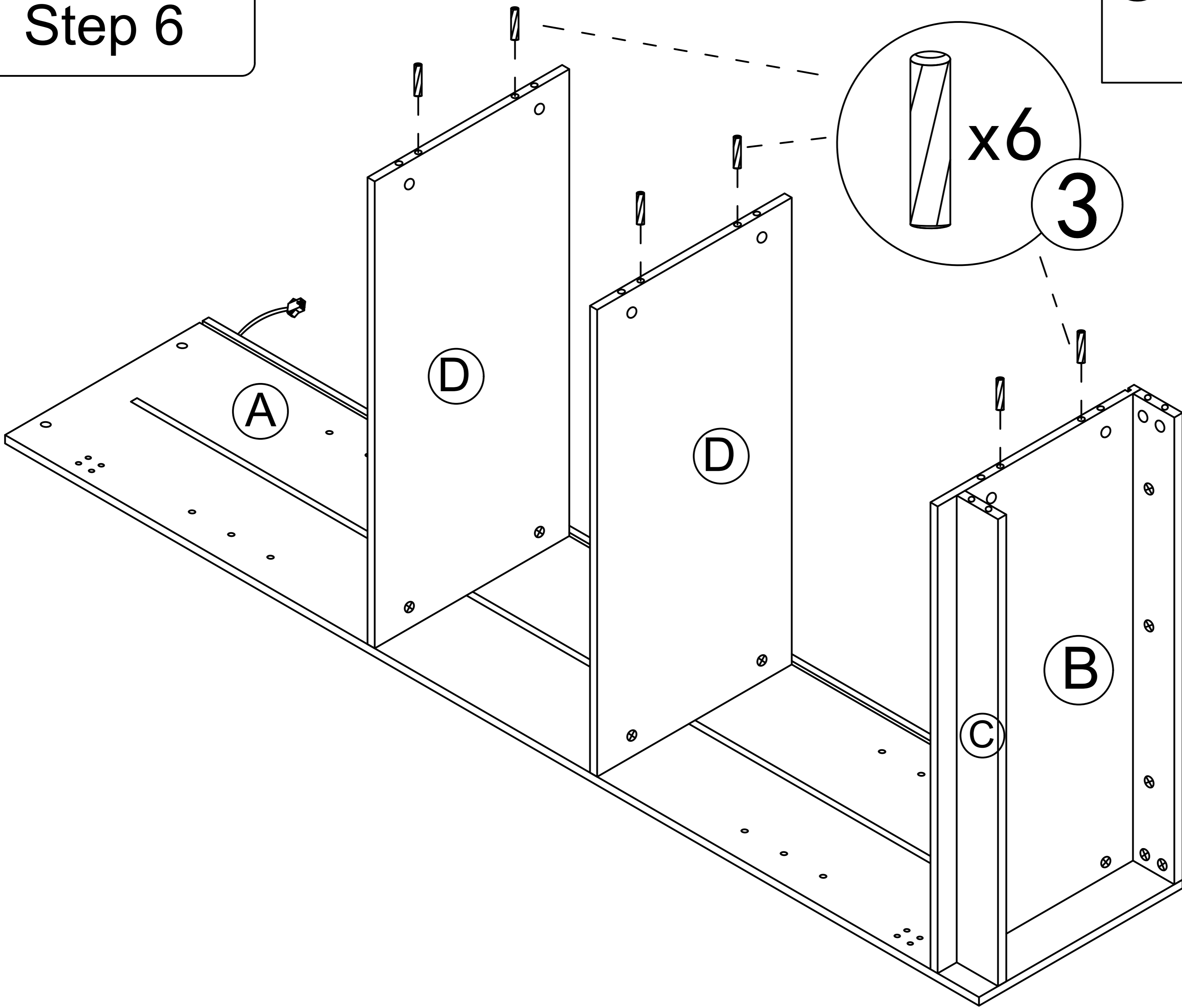


Step 5

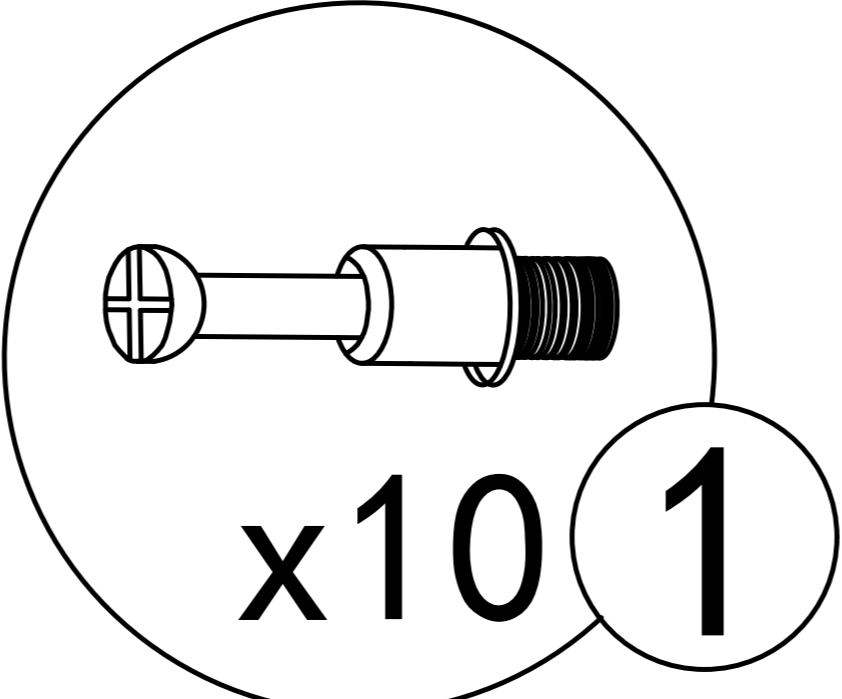
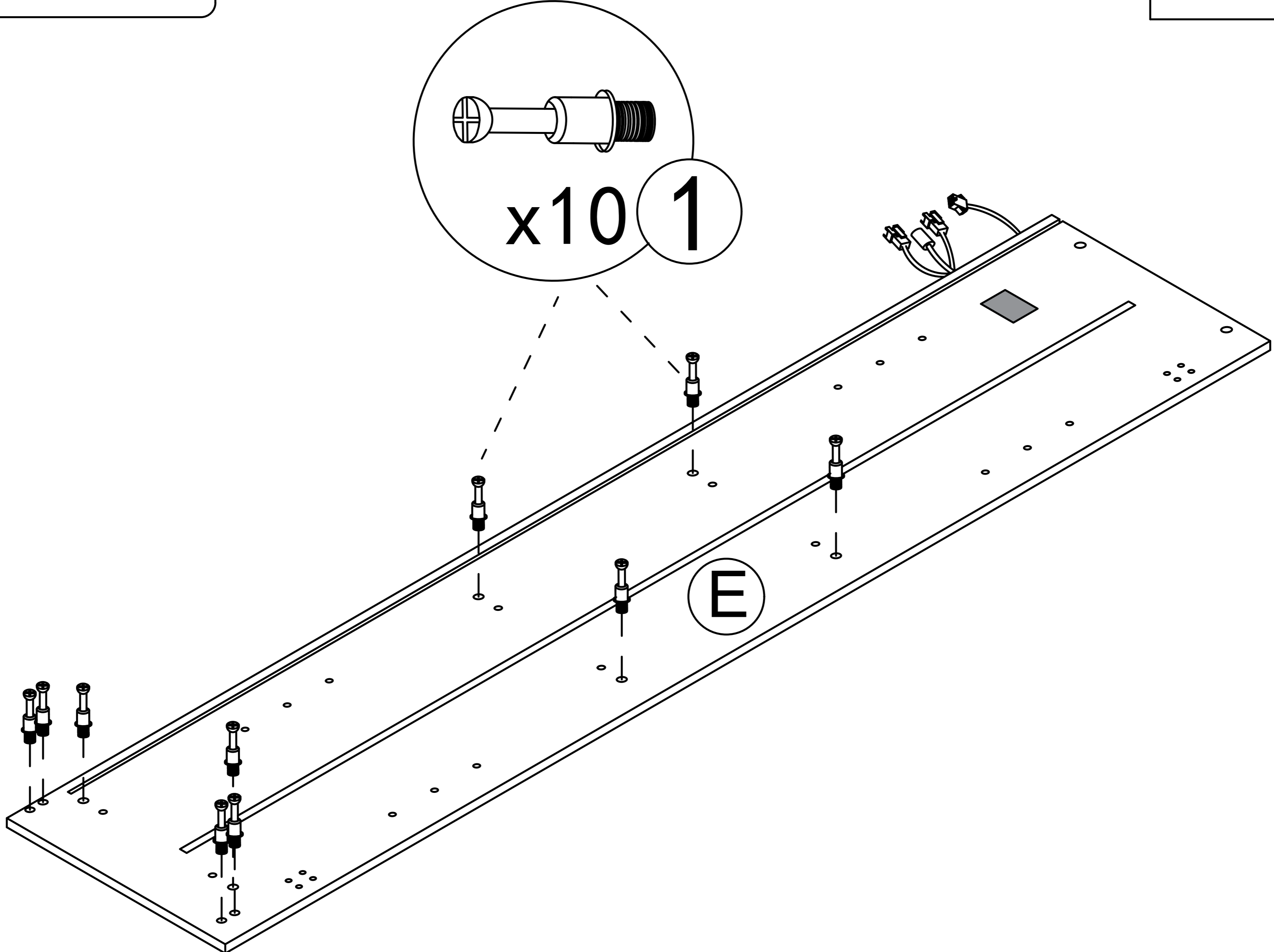
2  x4



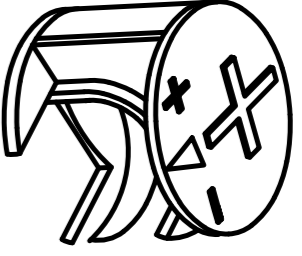
Step 6

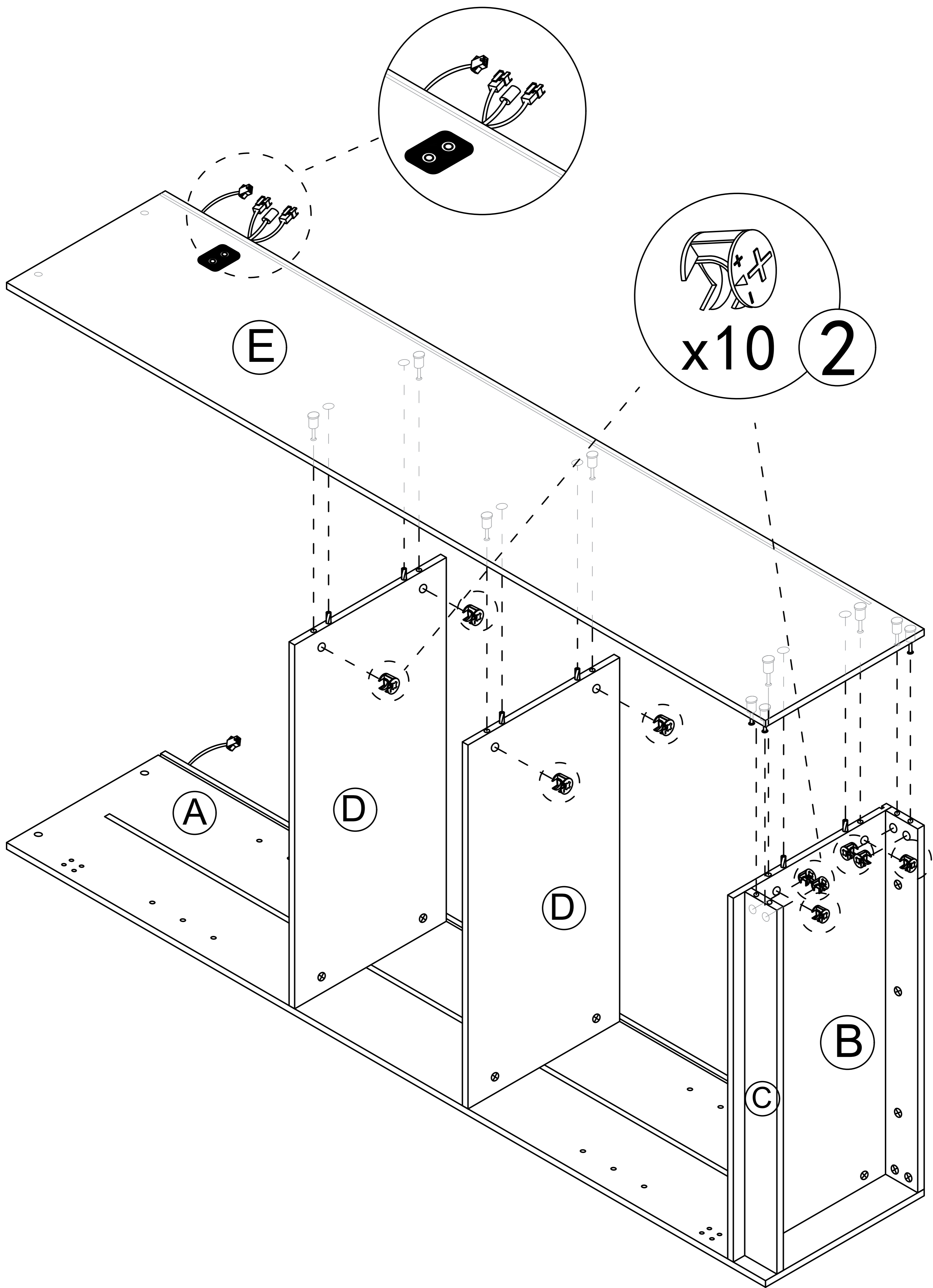


Step 7



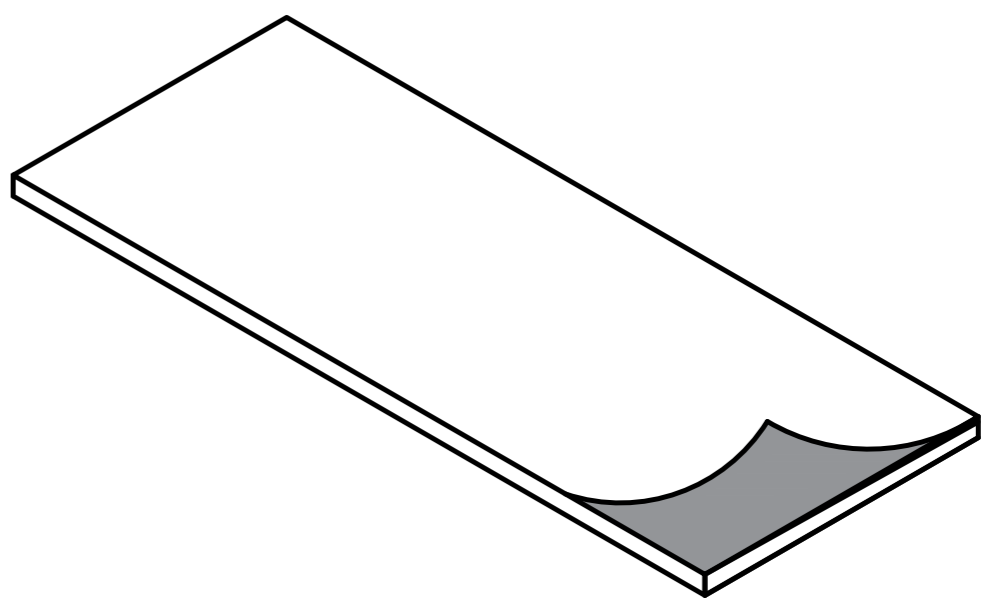
Step 8

2  x10



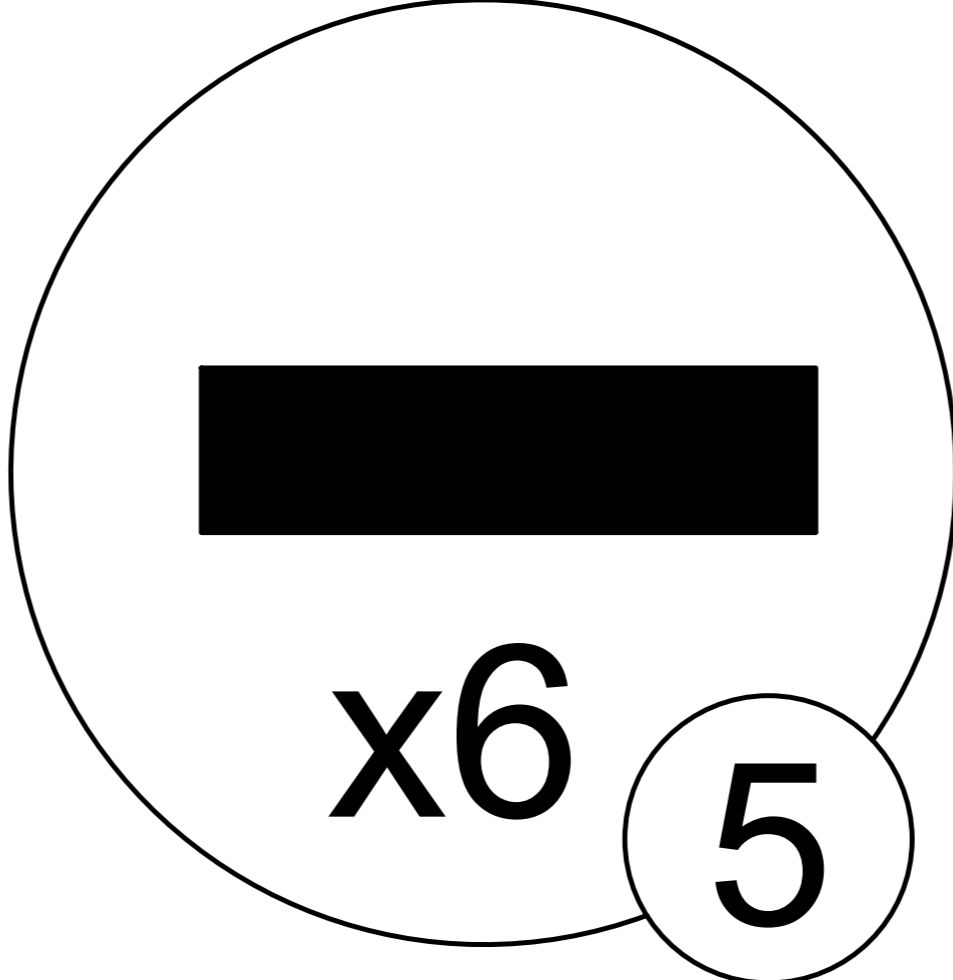
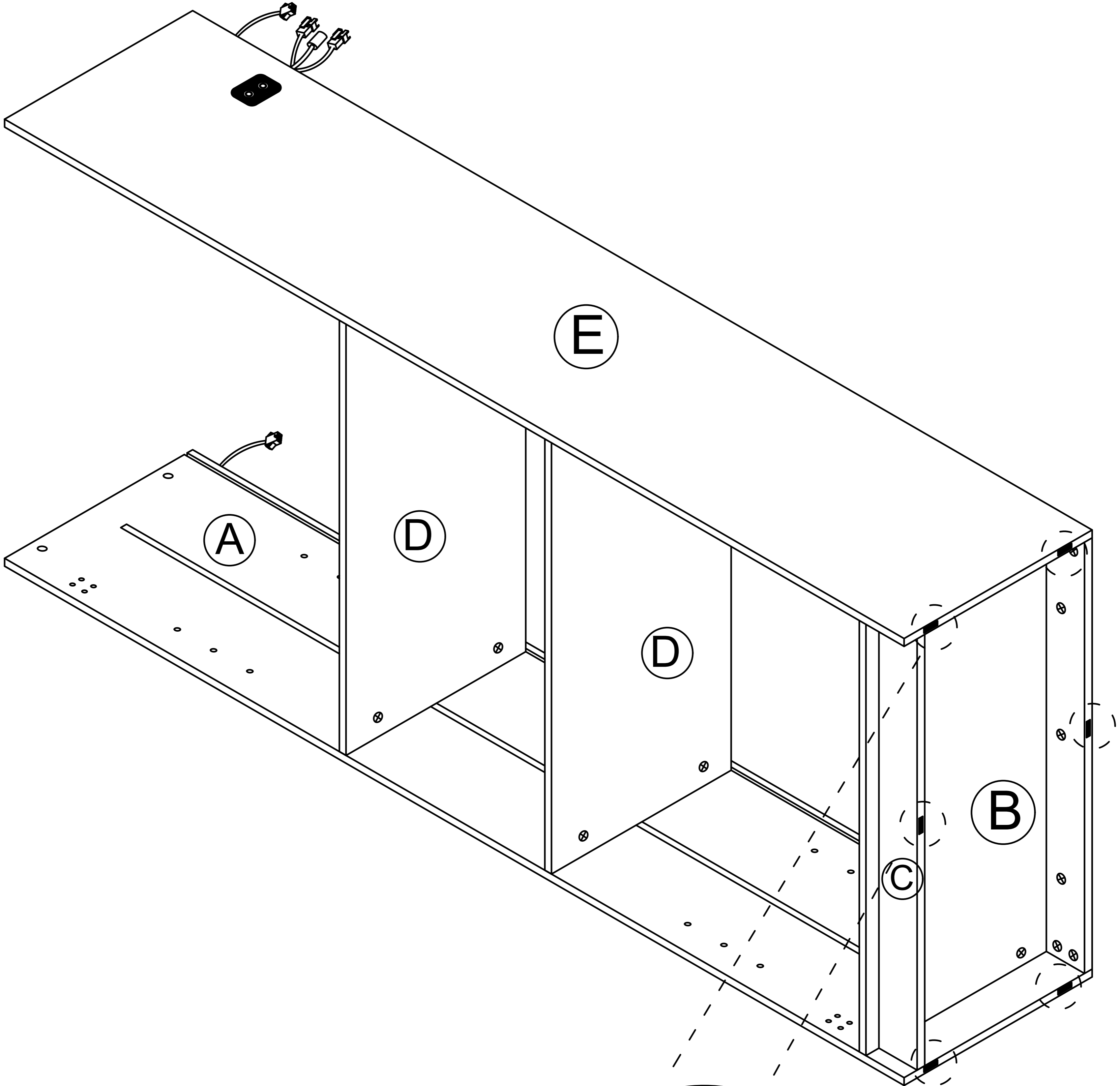
Step 9

5

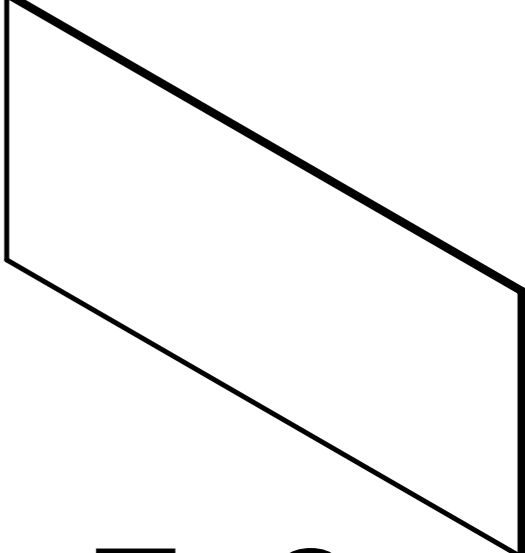
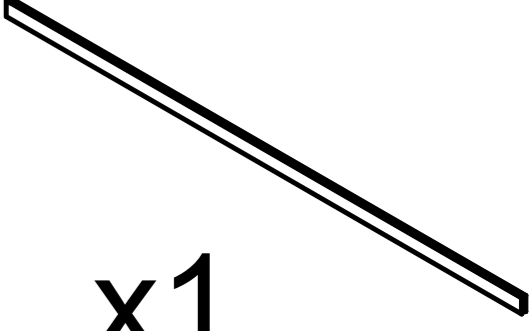


x6

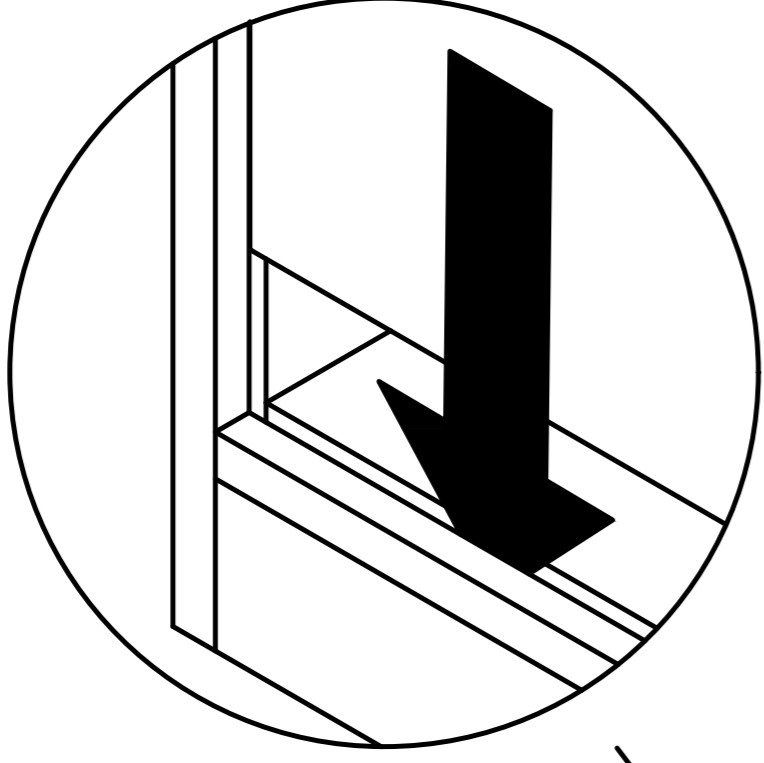
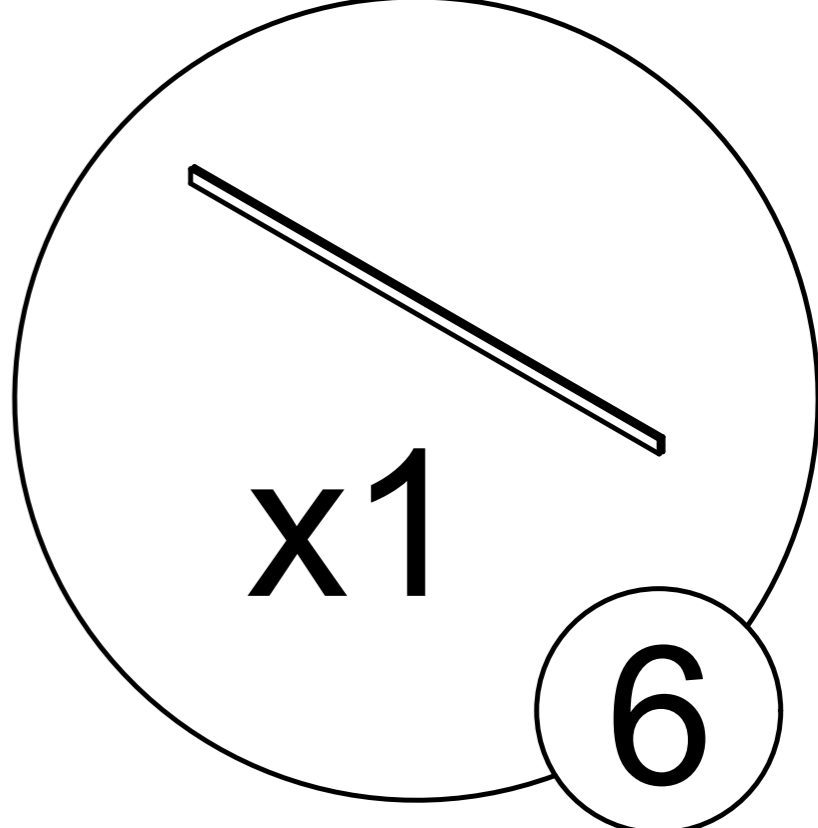
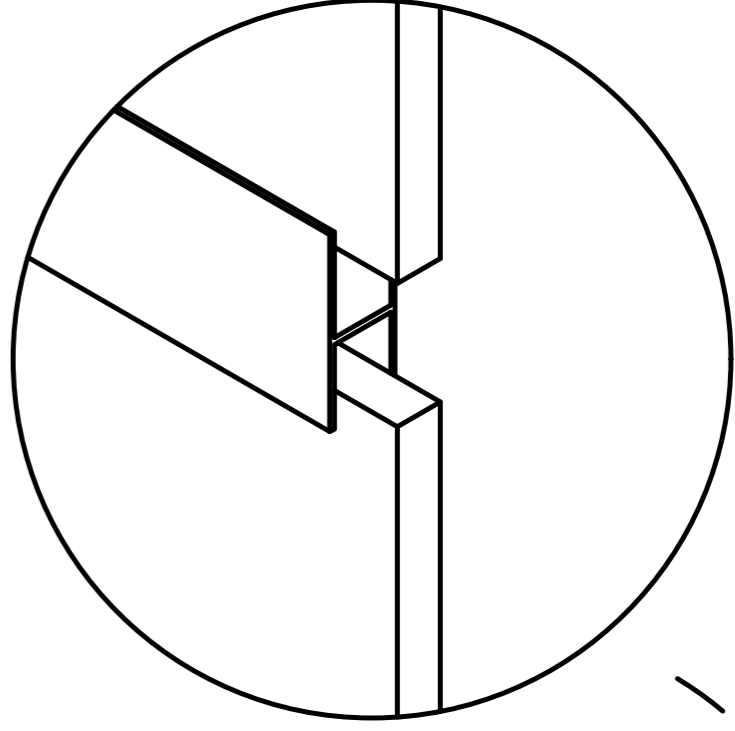
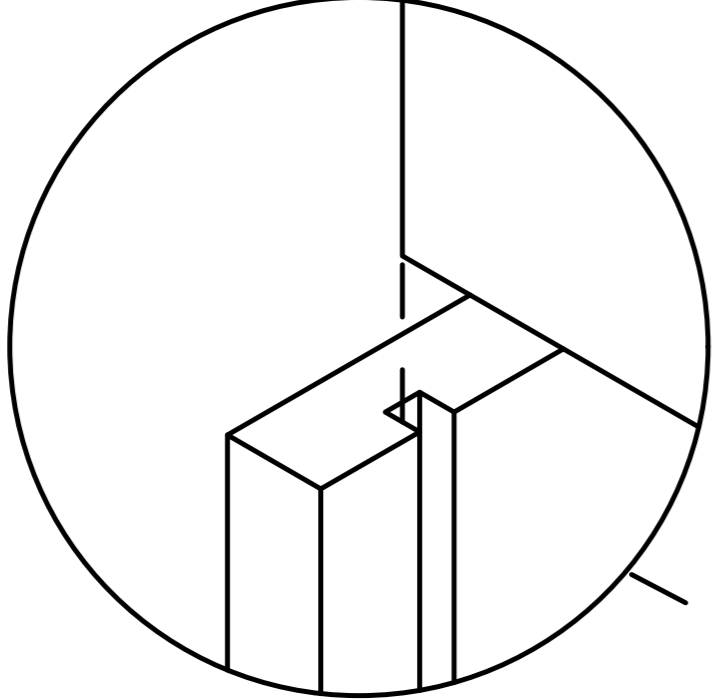
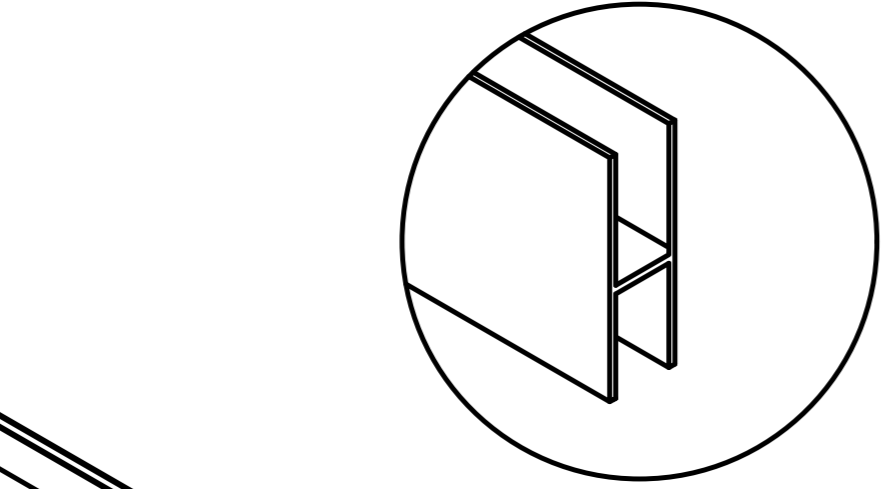
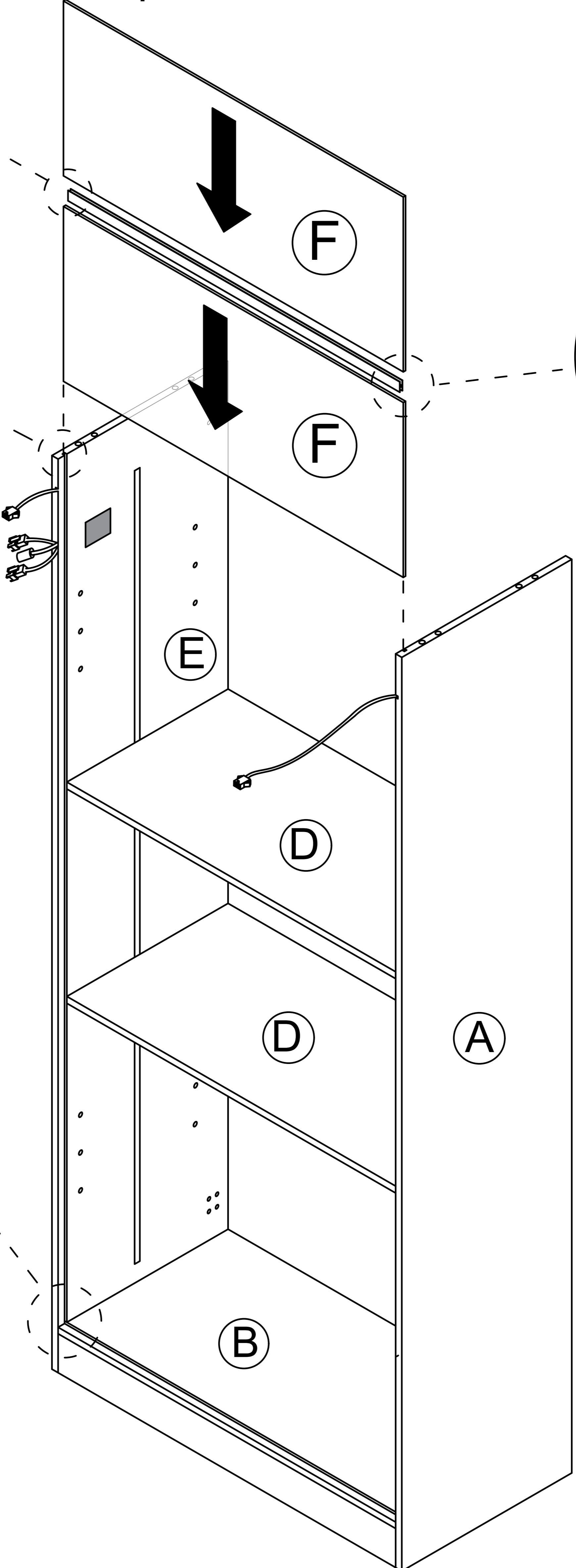
Tear off release paper and stick the black foot pad on the board



Step 10

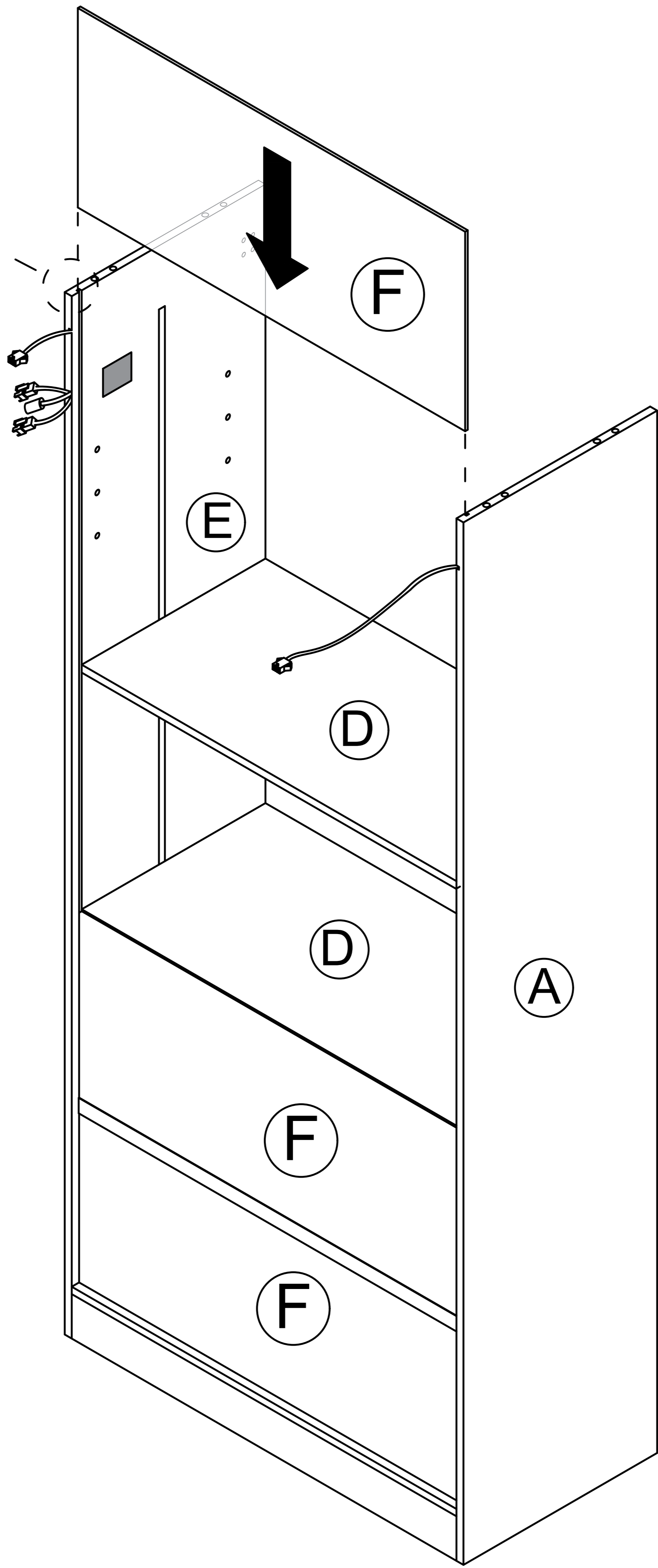
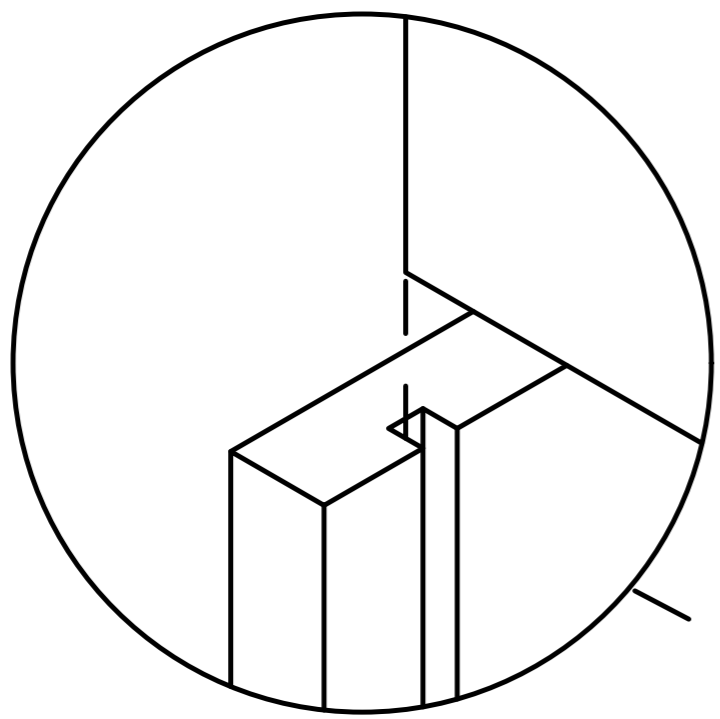
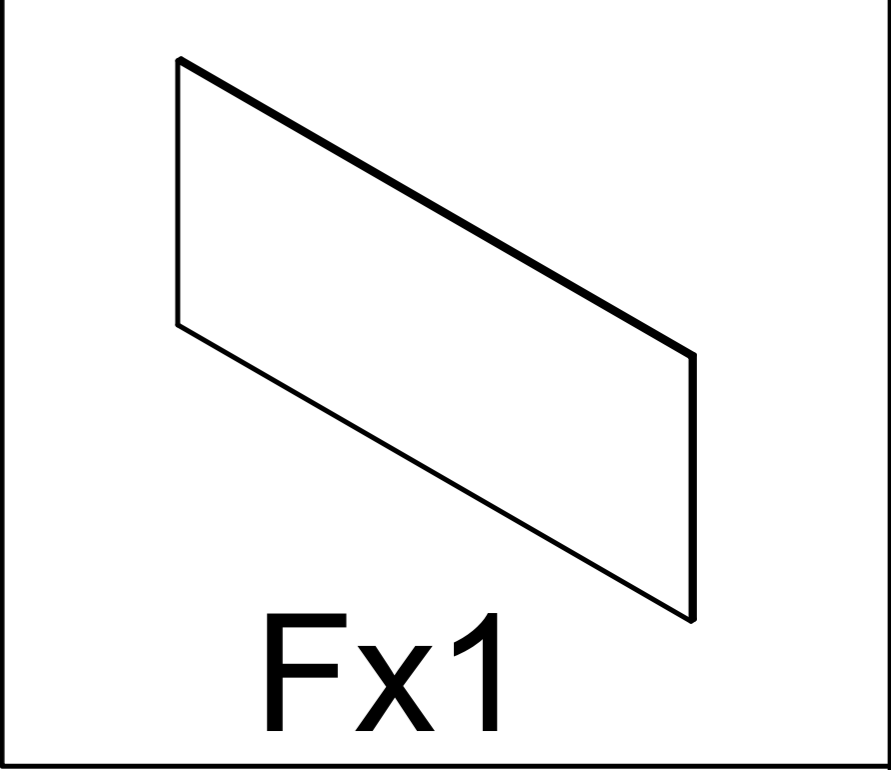

Fx2

6 x1

Clip in the two backboards



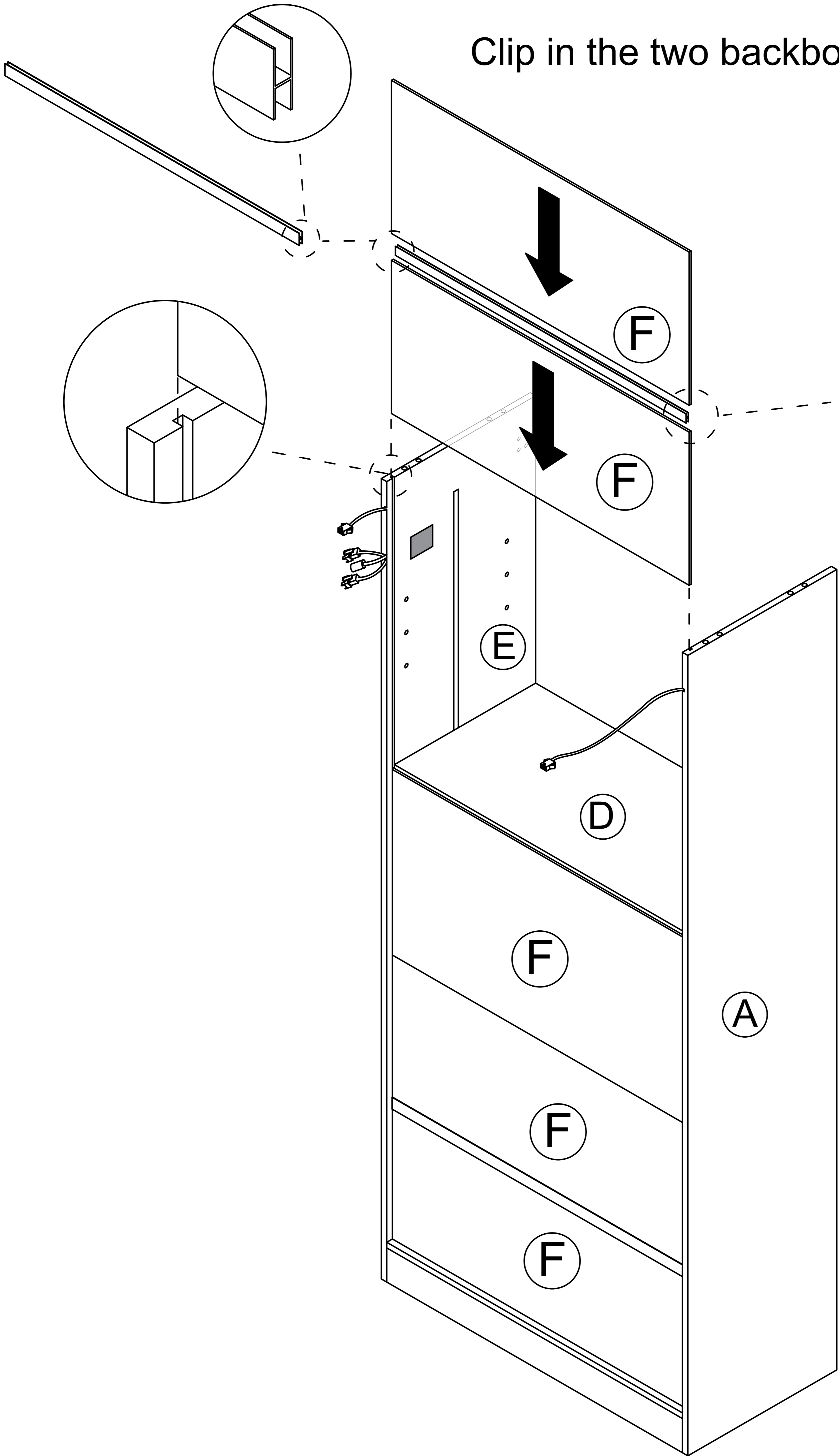
Insert the board into the slot

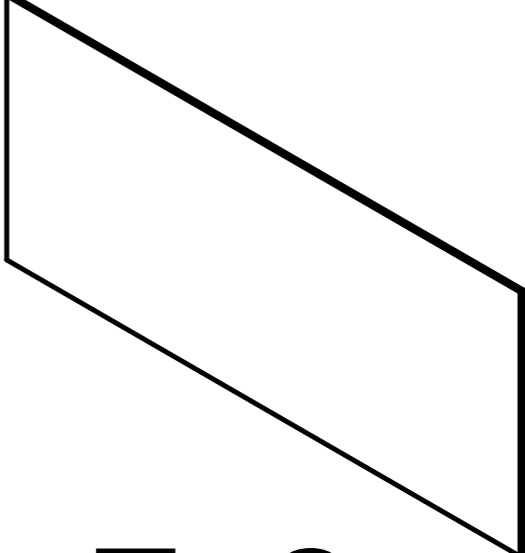

Step 11




Step 12

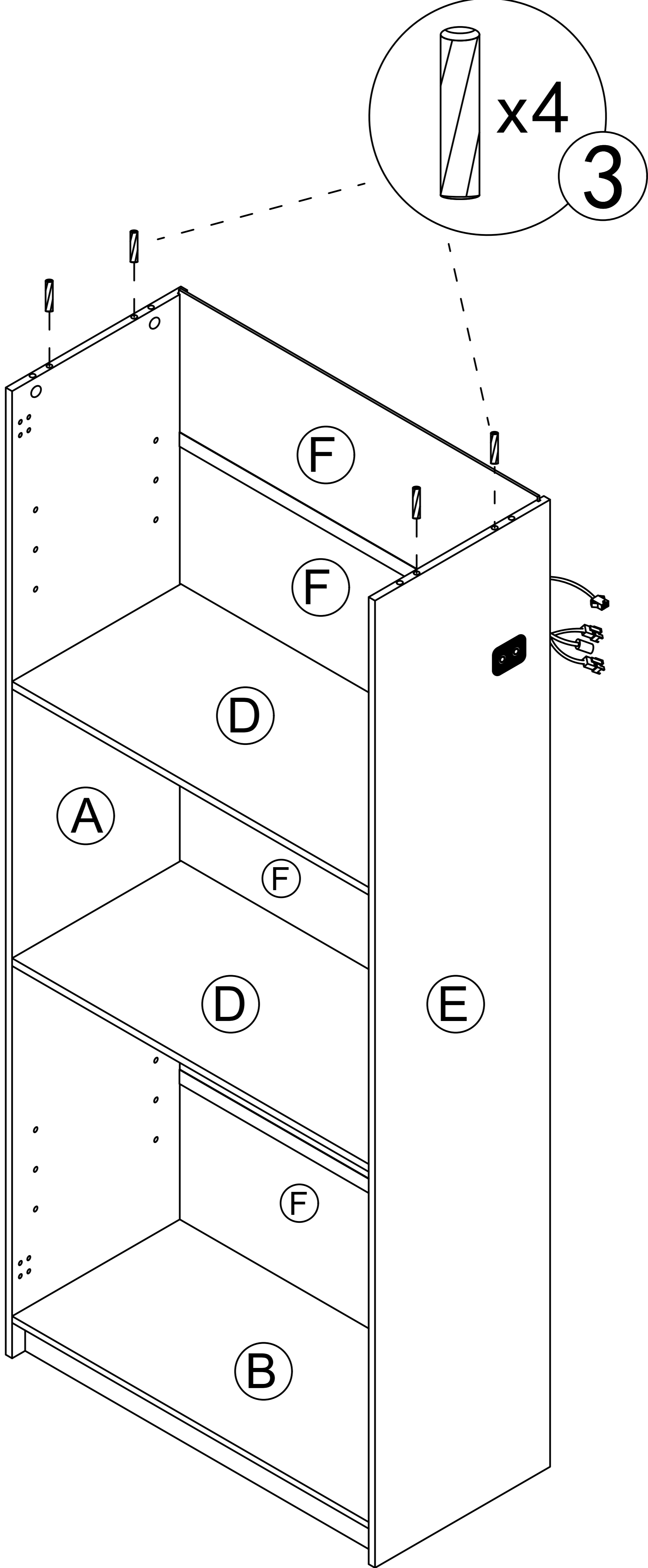
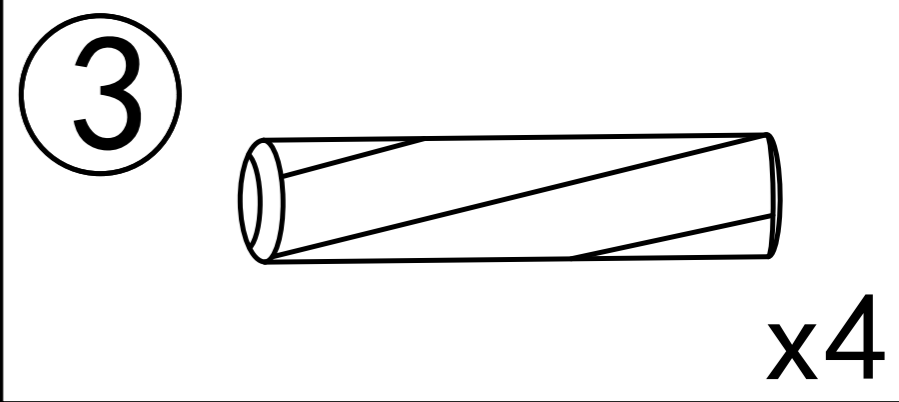
Clip in the two backboards




Fx2
6 
x1

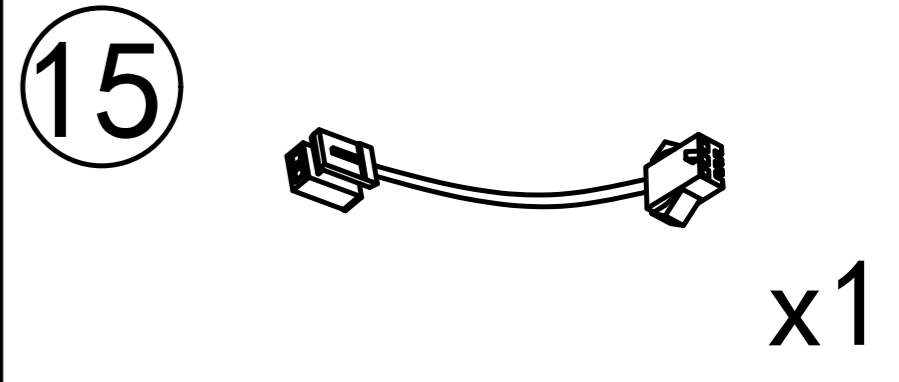
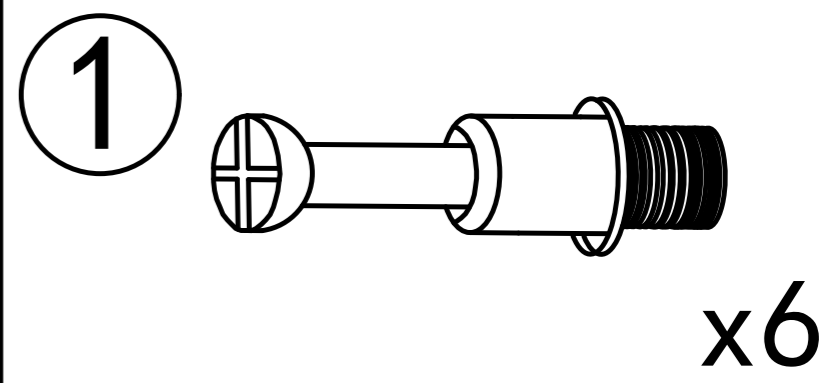
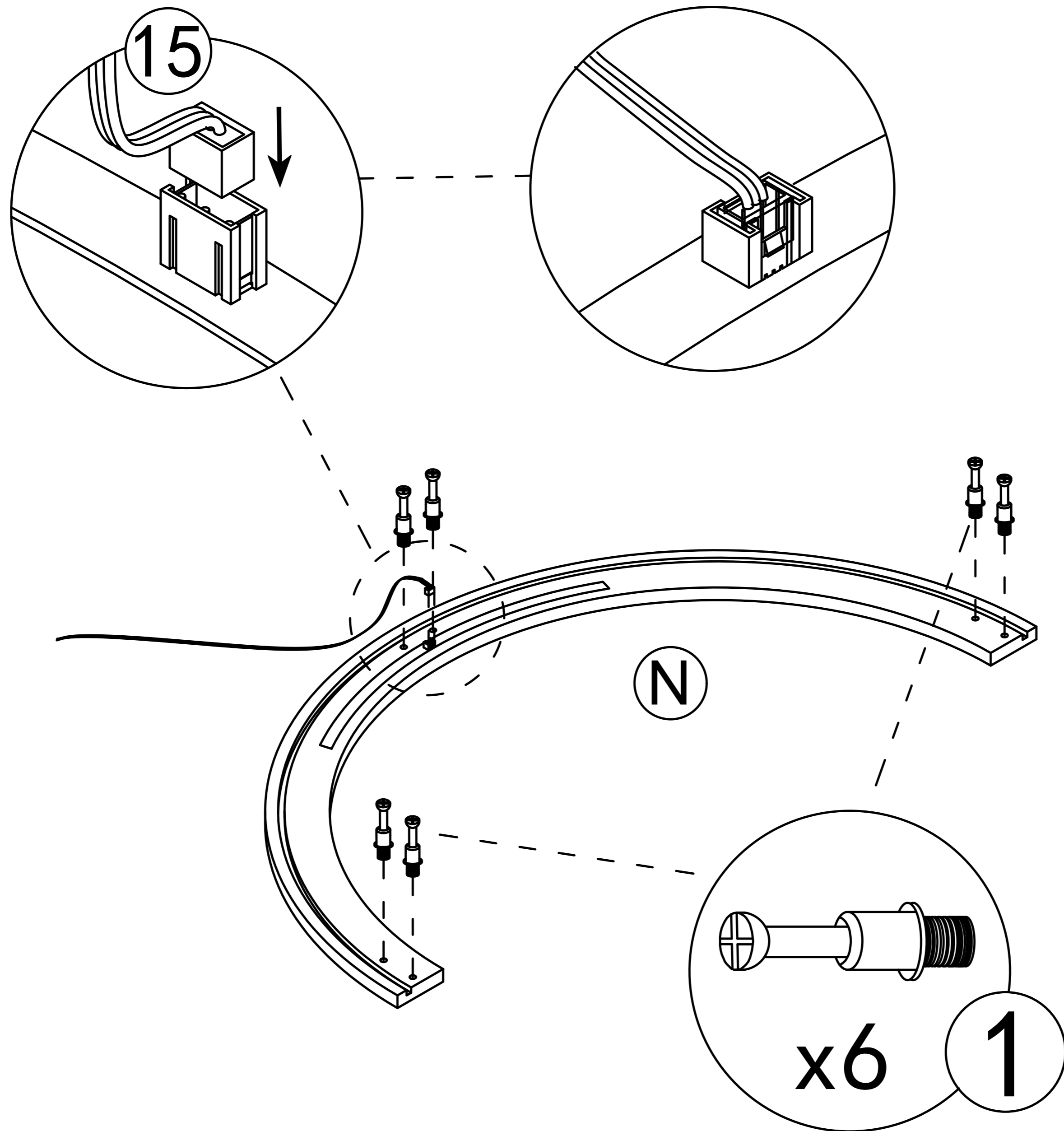

x1
6

Step 13

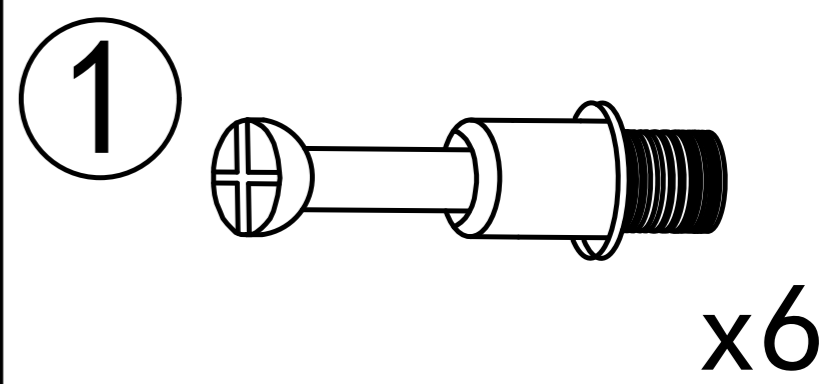
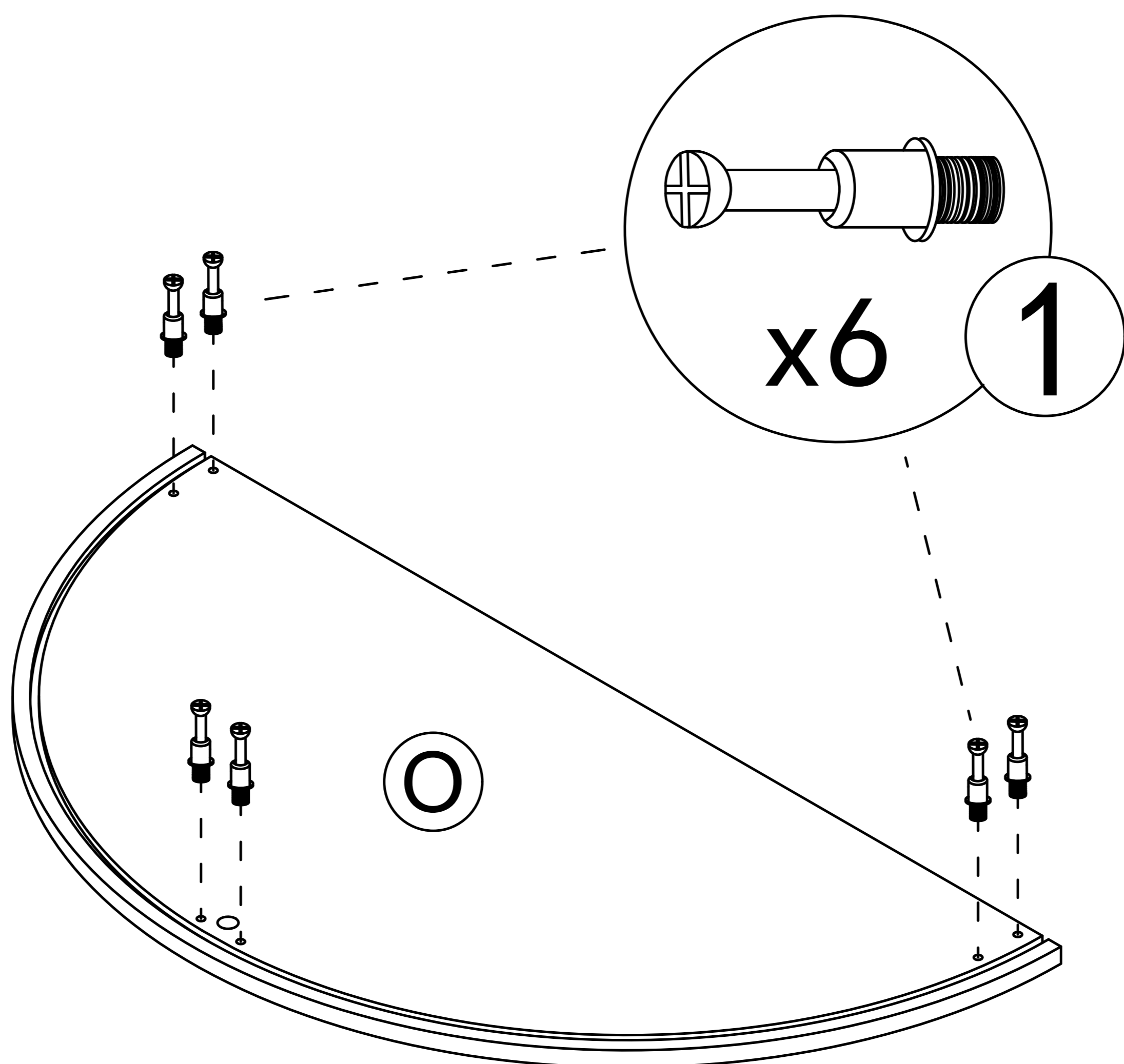


Step 14

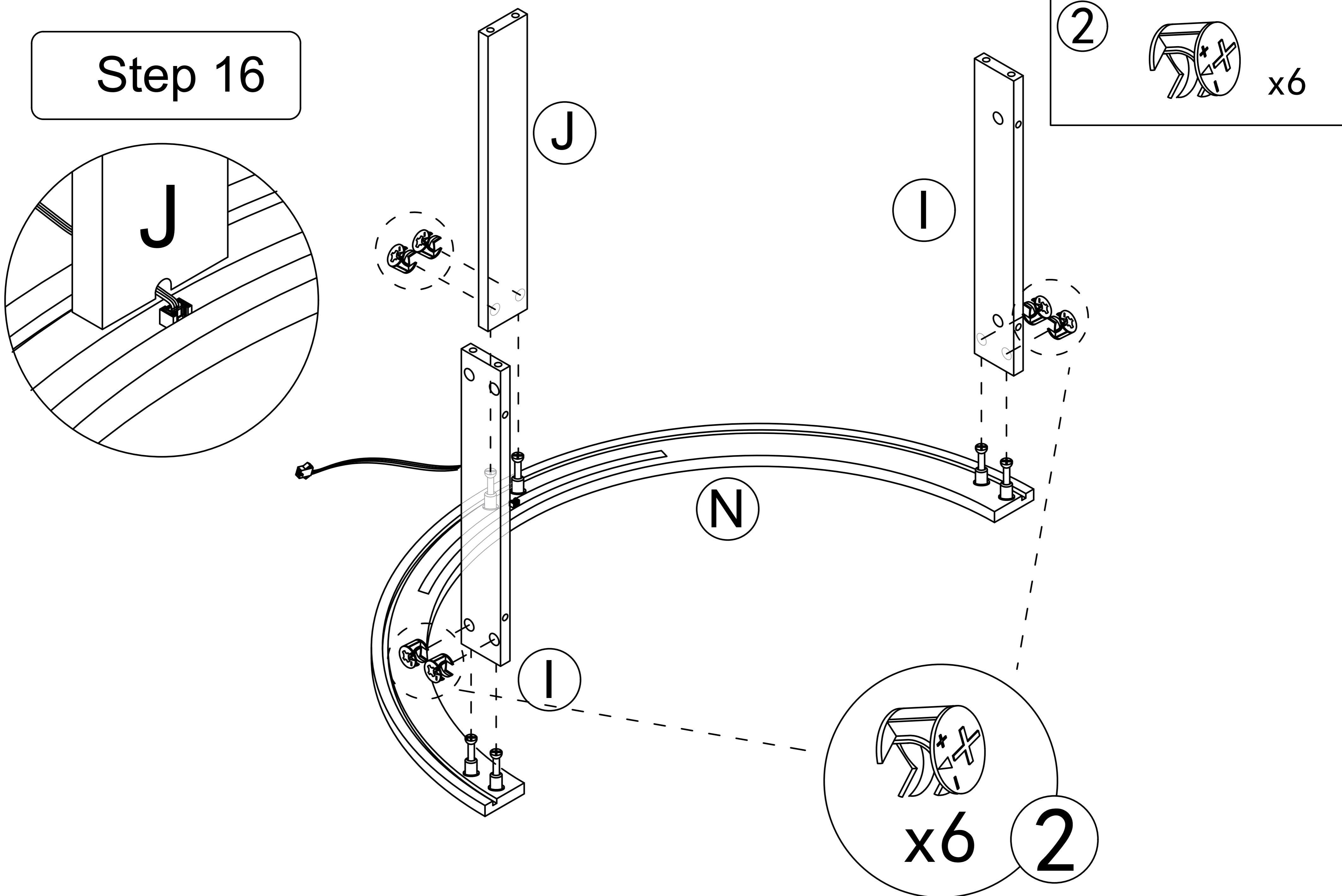
Connect the light cable socket



Step 15

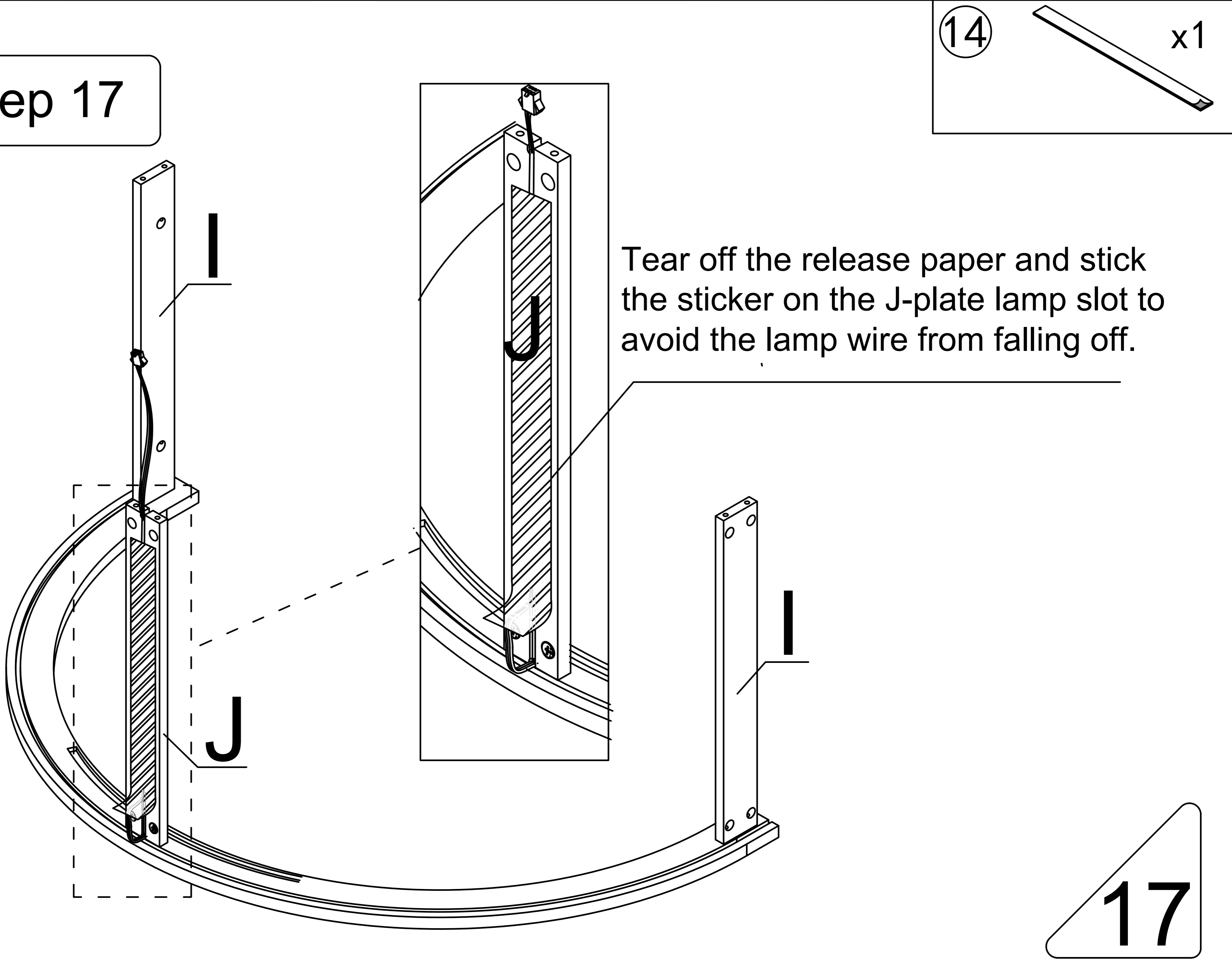


Step 16



Thread the light wire through board J and tighten the nut

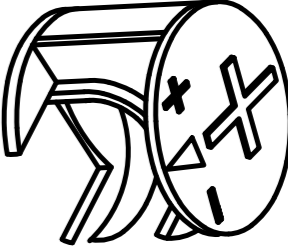
Step 17

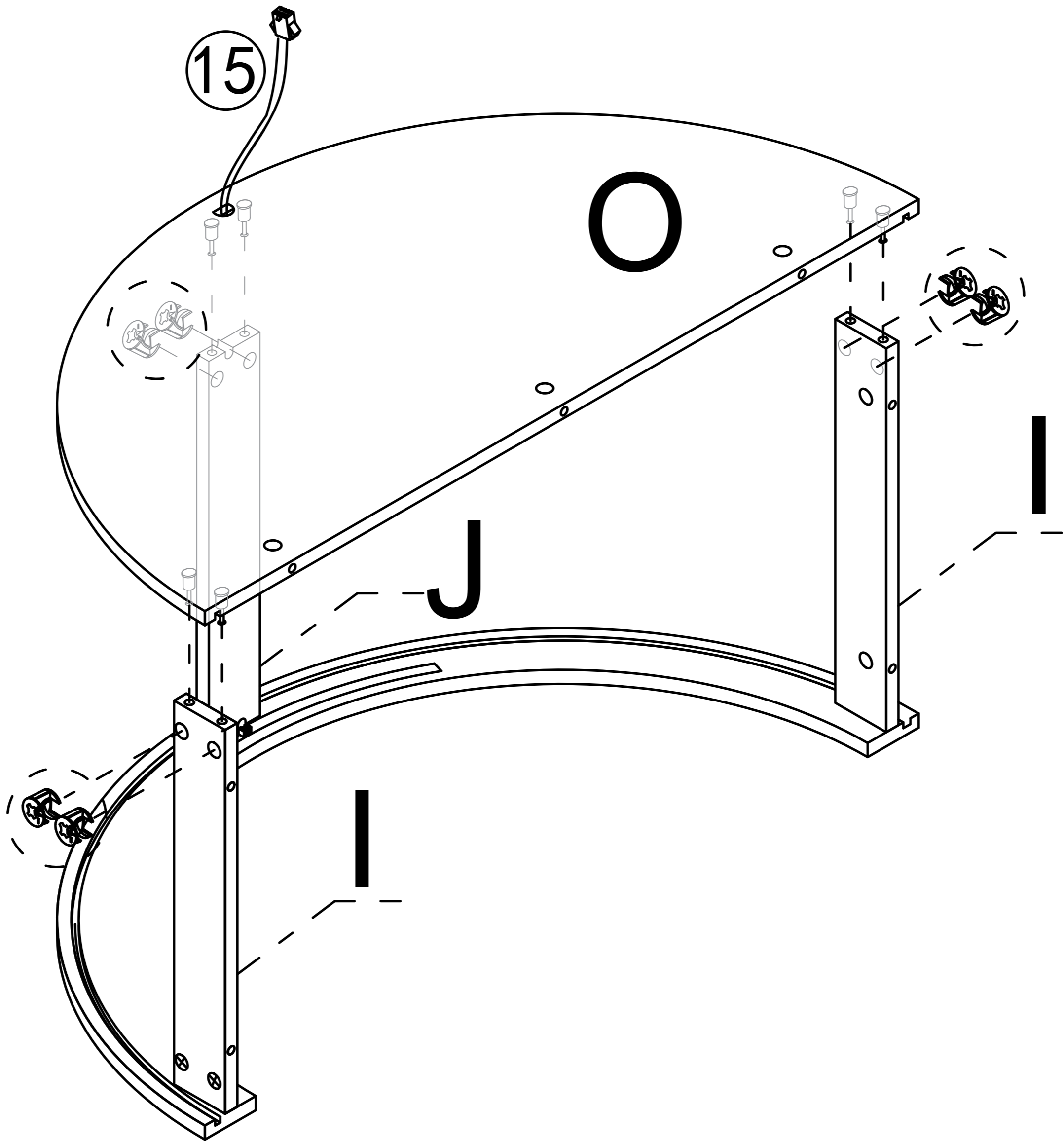


Tear off the release paper and stick the sticker on the J-plate lamp slot to avoid the lamp wire from falling off.

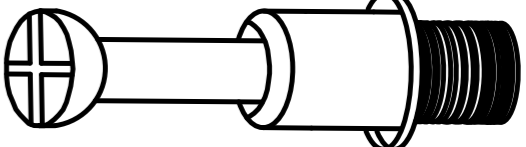
Step 18

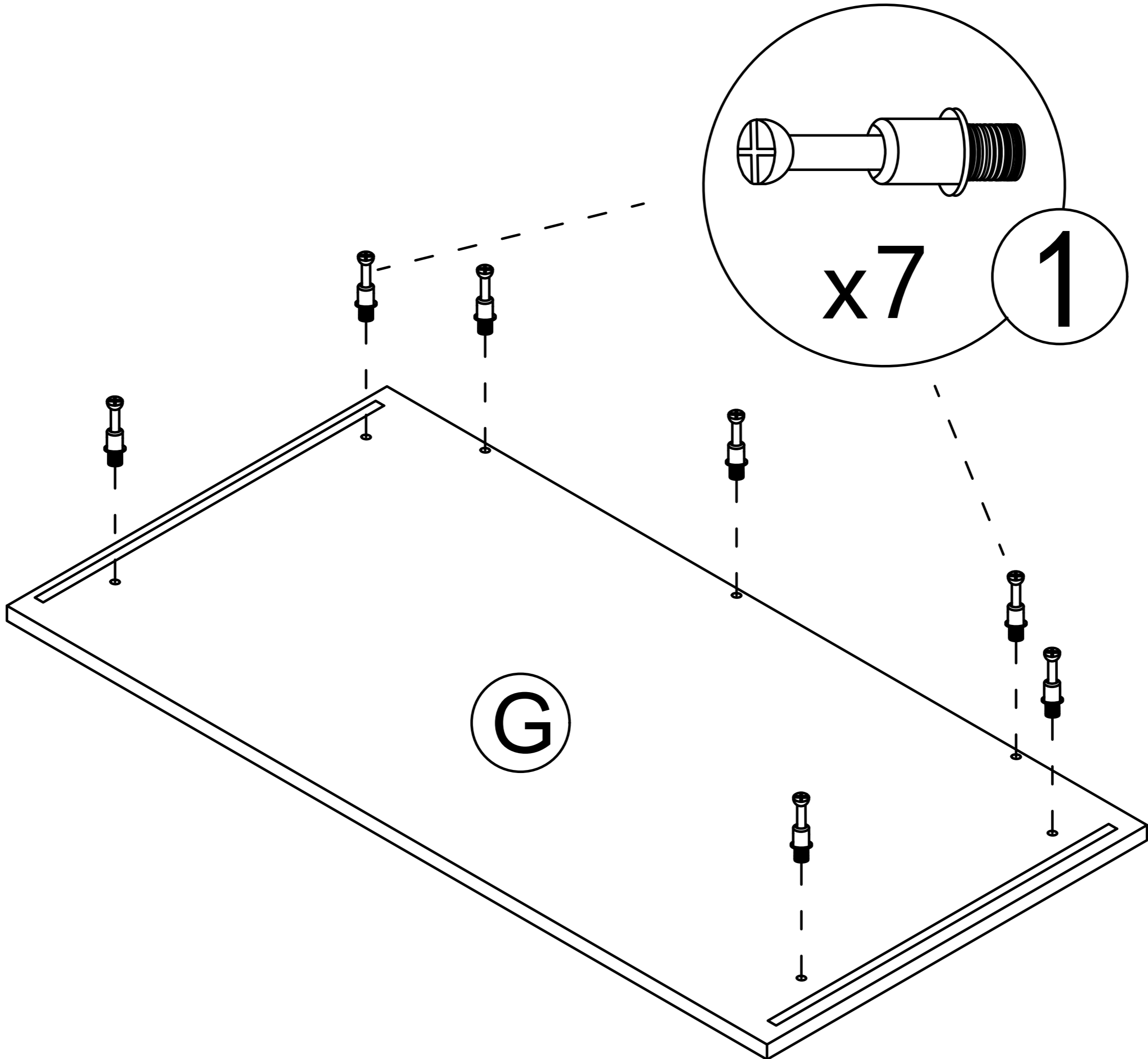
Passing through the hole of plate O

2  x6



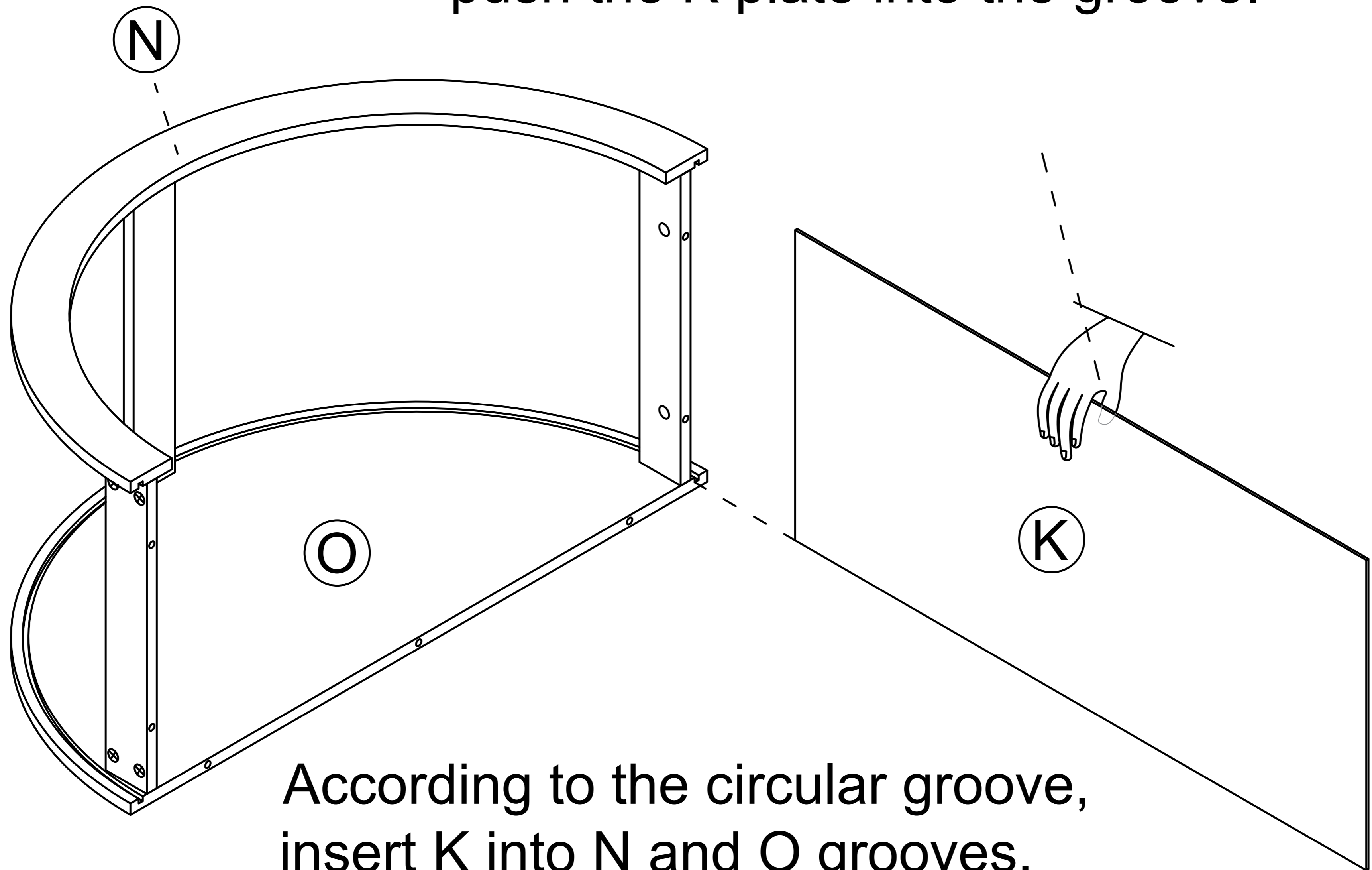
Step 19

1  x7

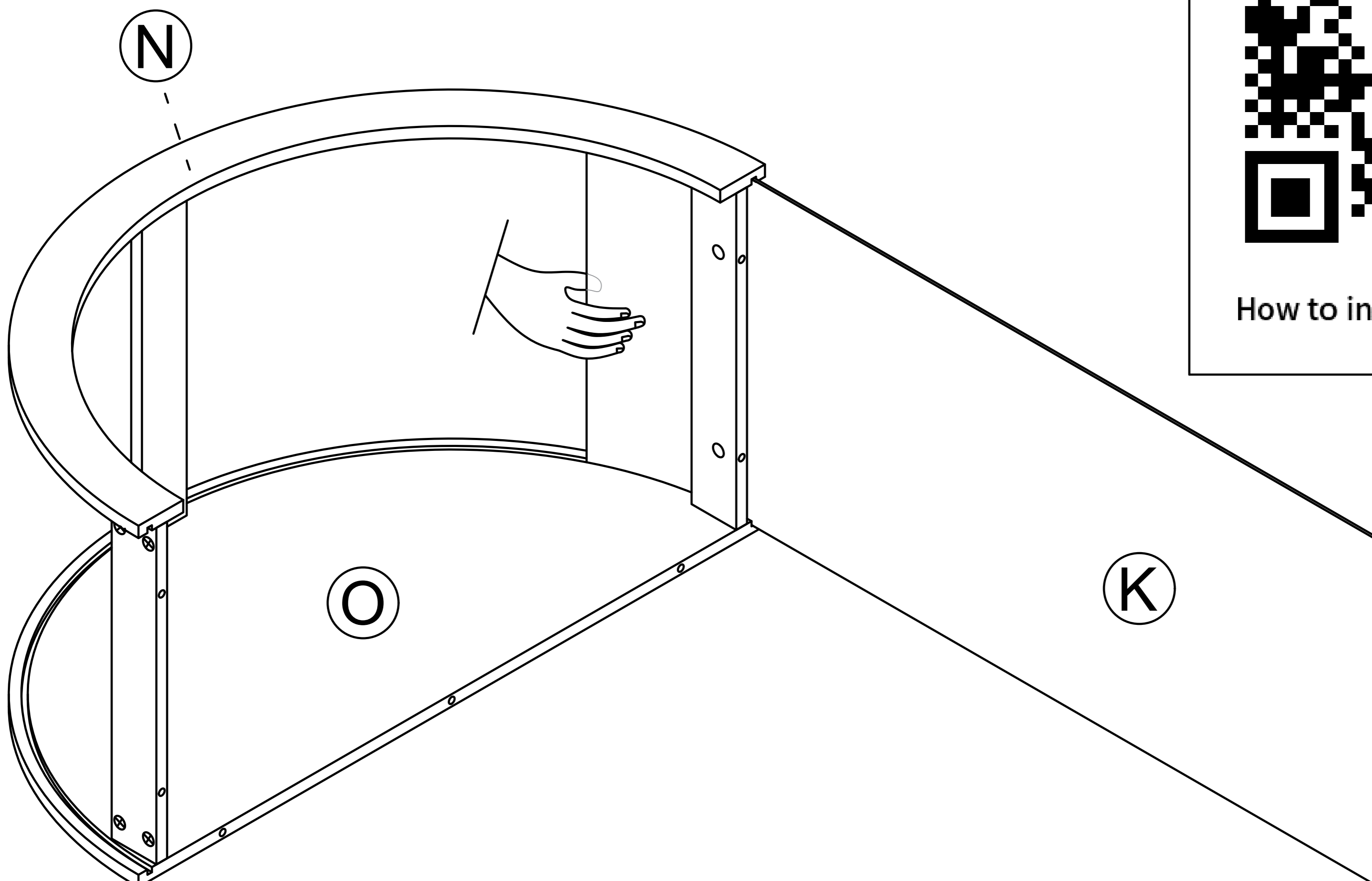
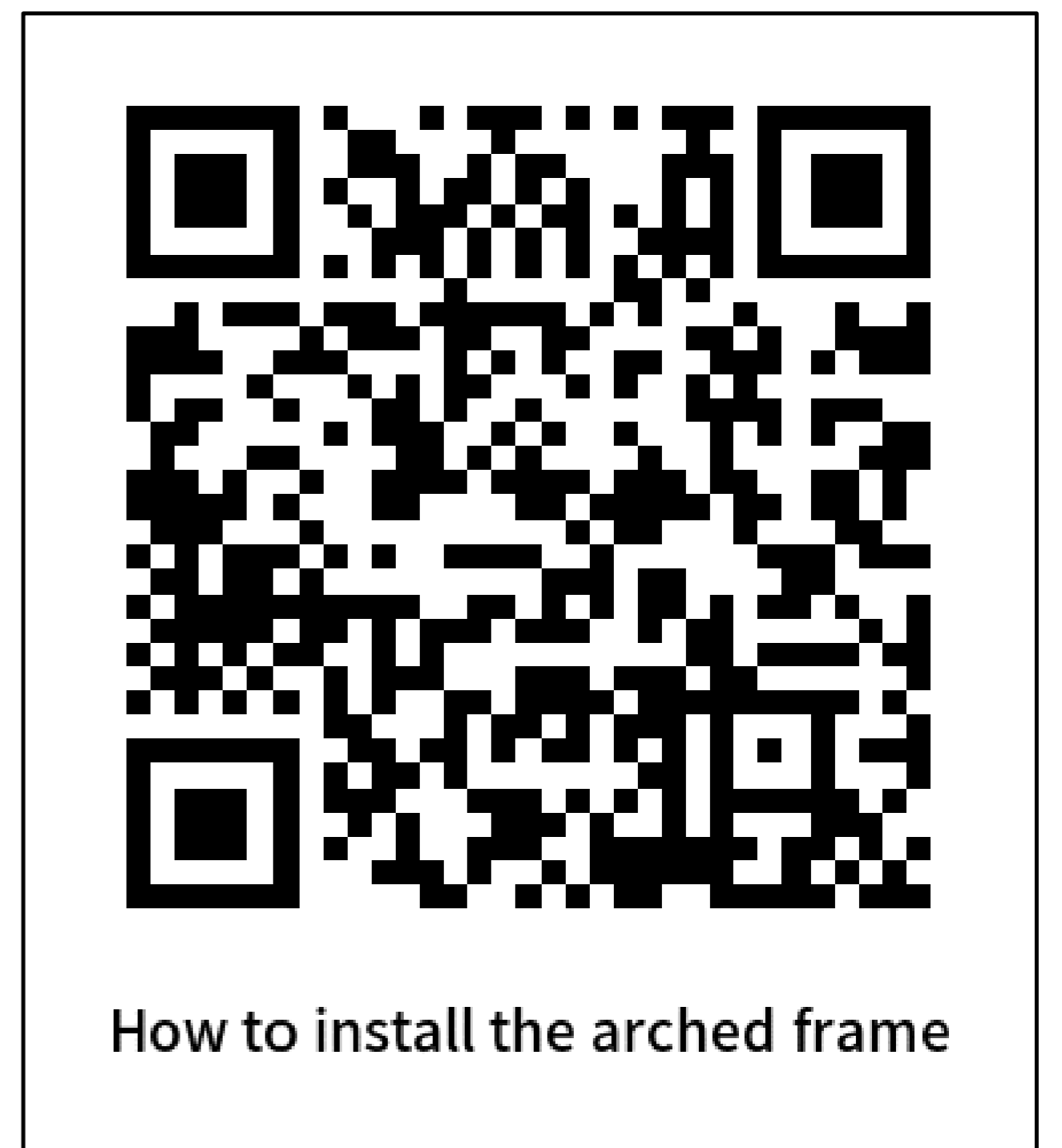


Step 20

Note: When installing the K plate, push the middle of the K plate by hand to push the K plate into the groove.

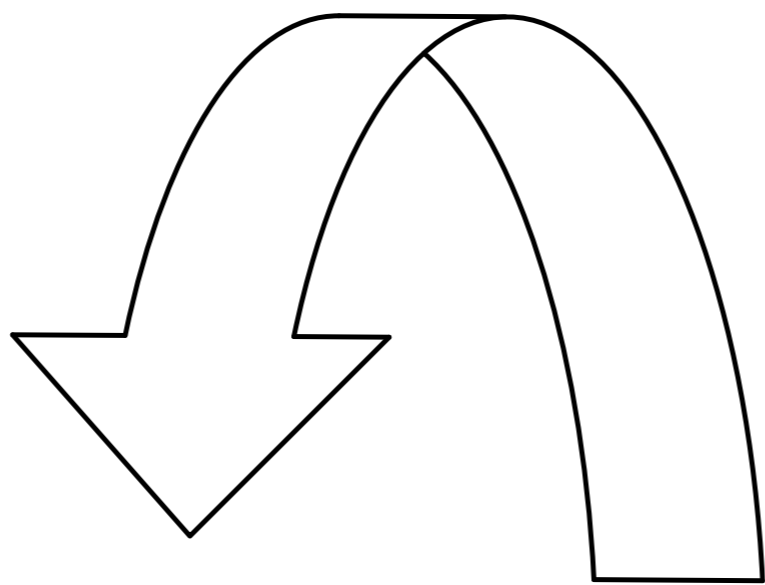
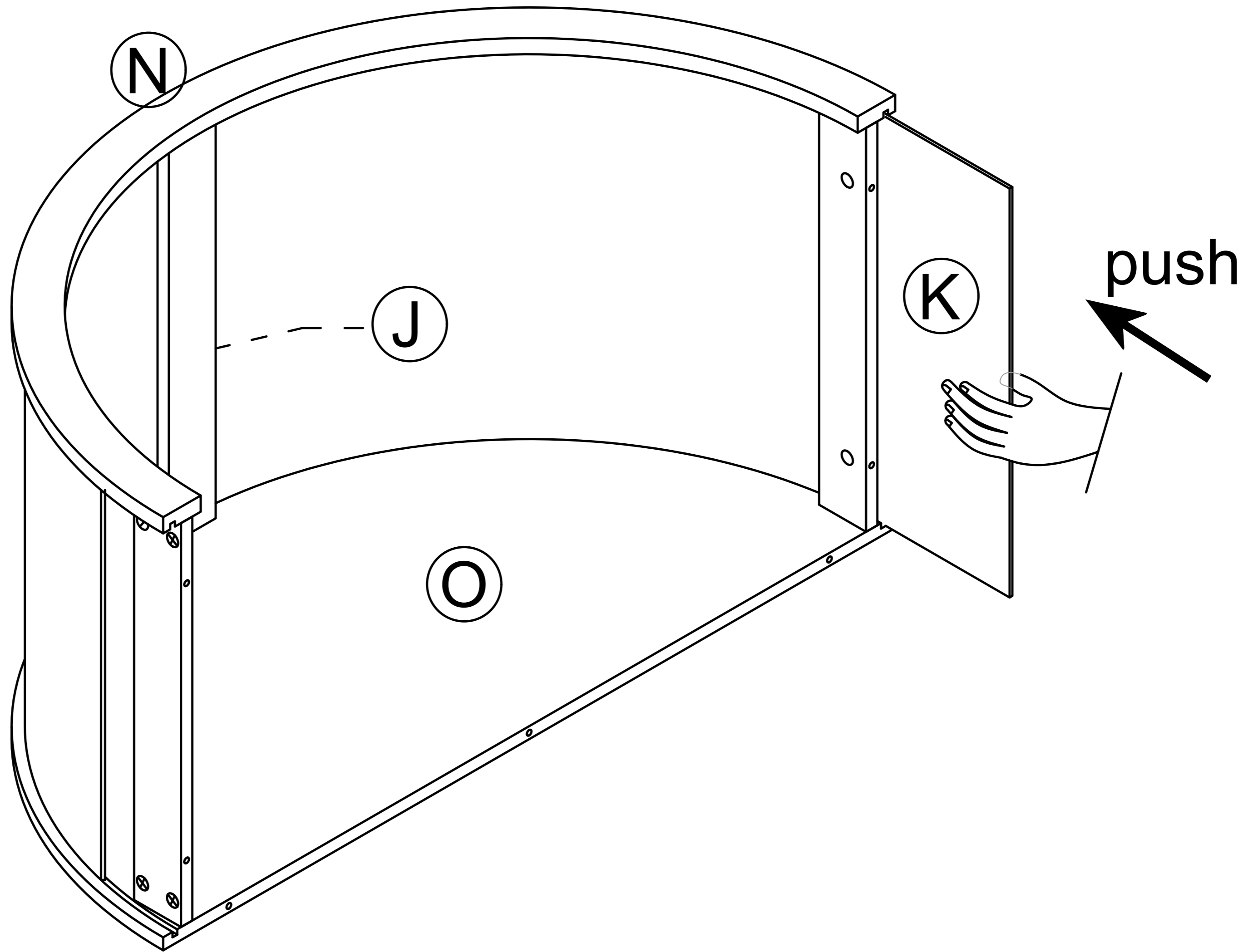


According to the circular groove, insert K into N and O grooves.

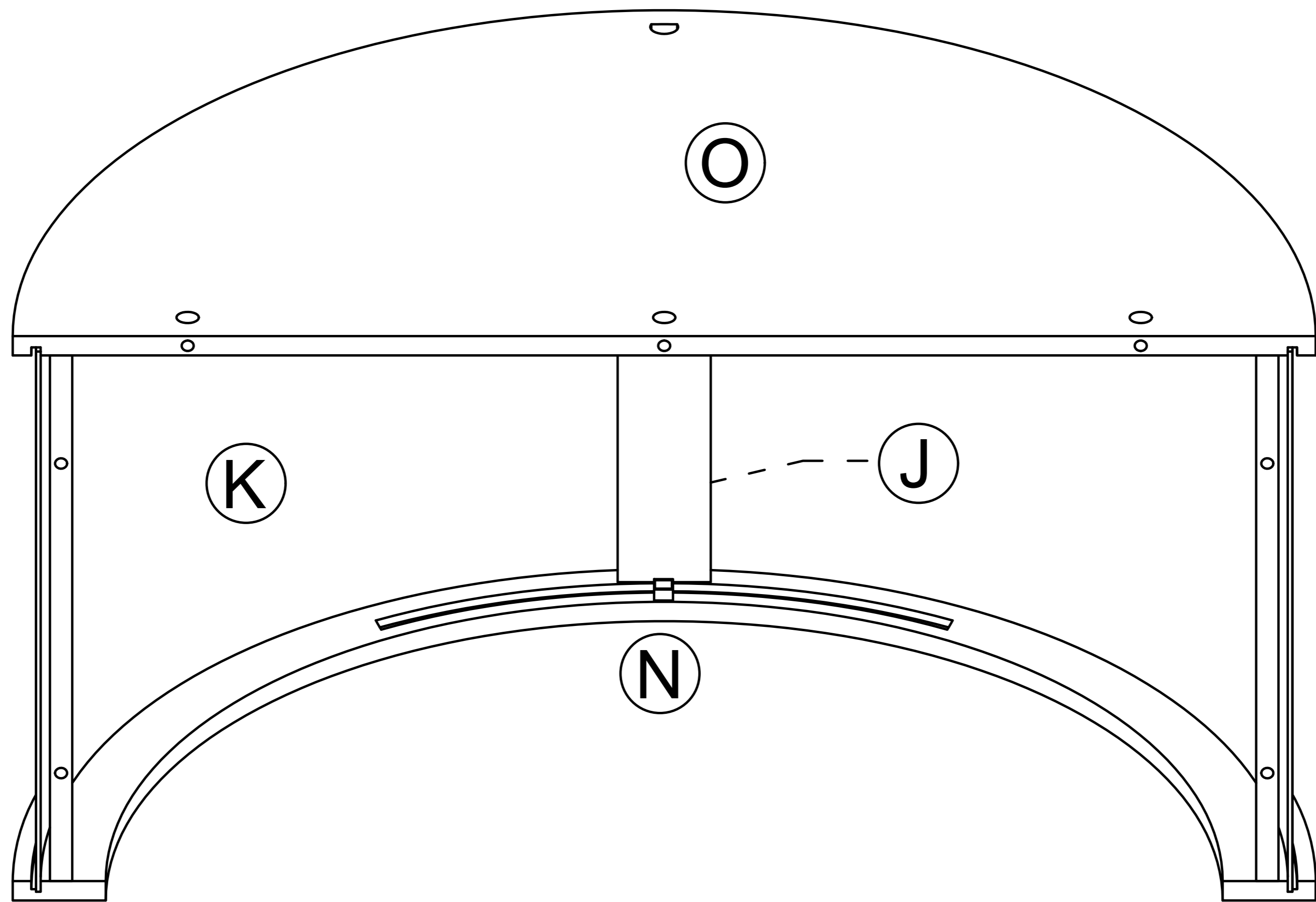


If it is difficult to push the K plate in, you can use the pull method.

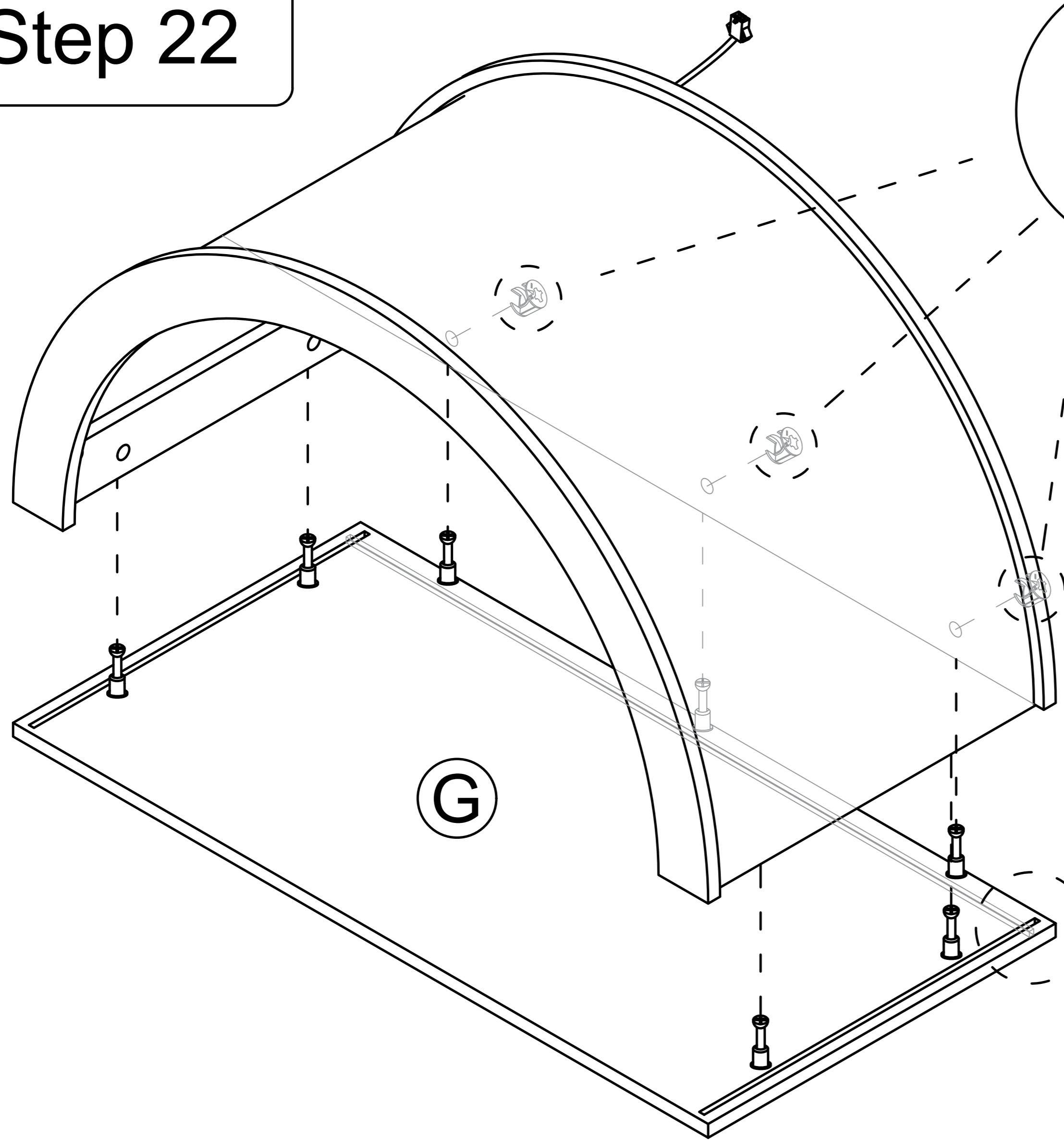
Step 21



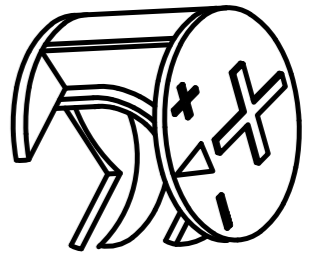
Need to flip over



Step 22

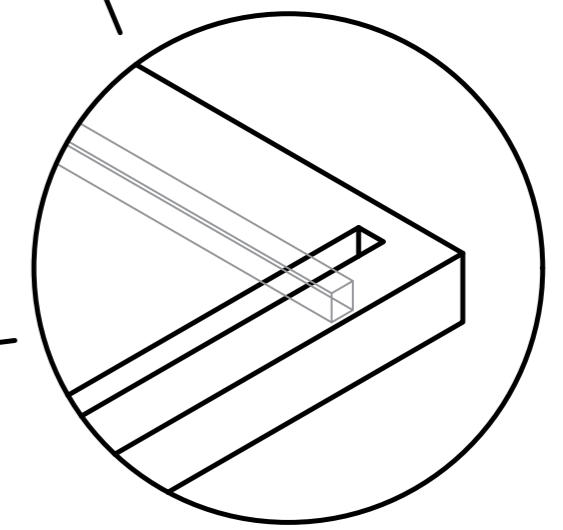


2



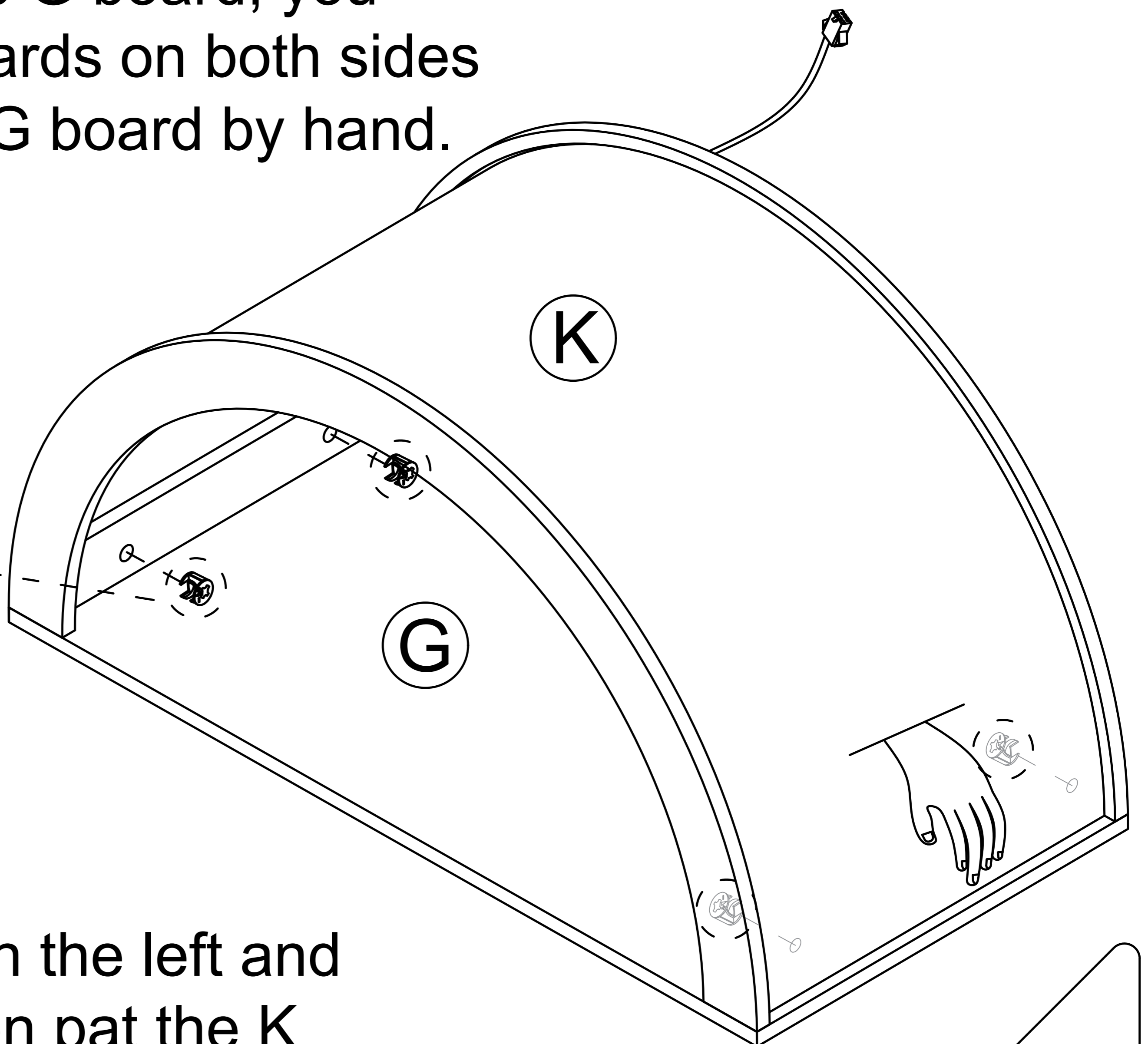
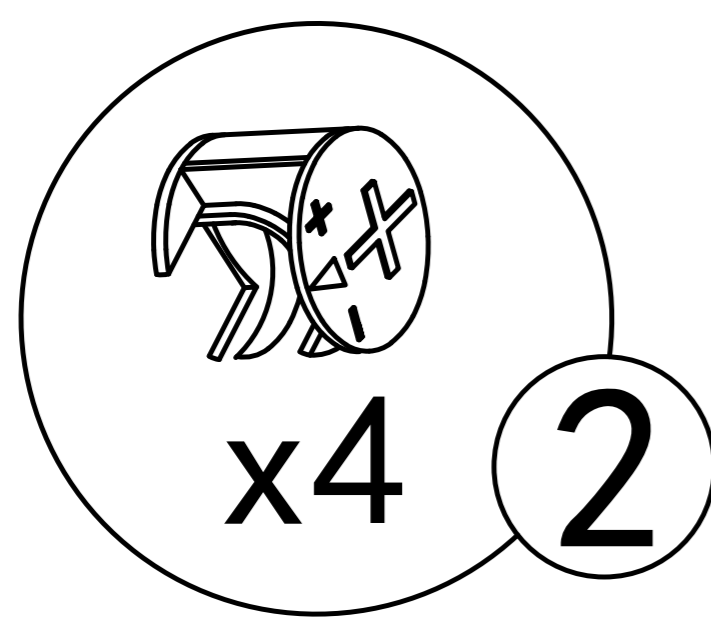
x3

When installing the G plate, pay attention to the front and back, and there is a groove under the O plate.

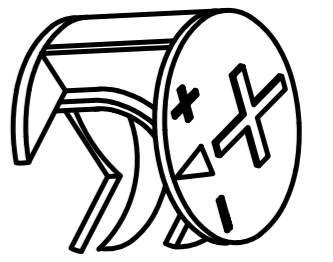


Step 23

Note: After installing the G board, you need to pat the backboards on both sides into the grooves of the G board by hand.



2

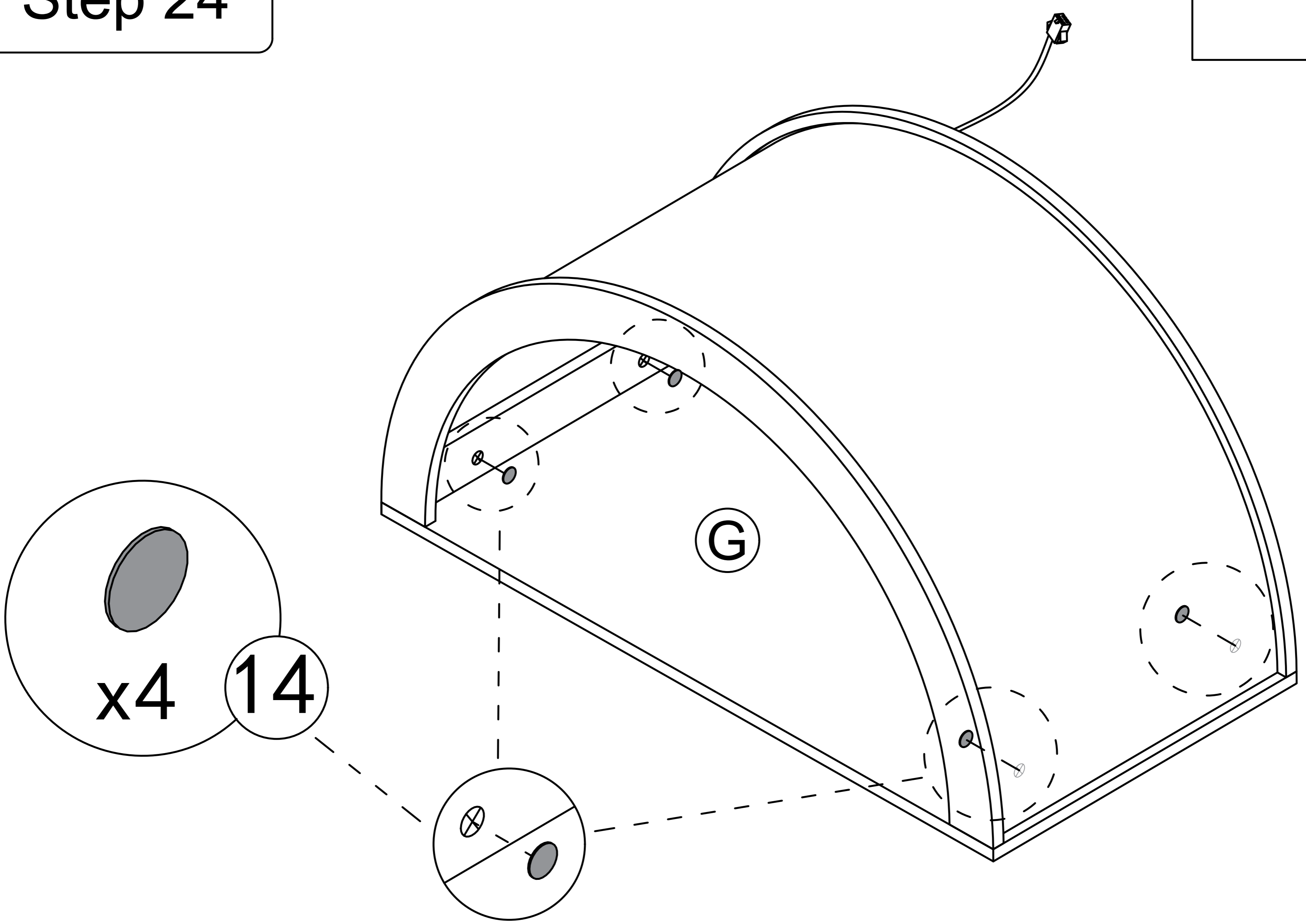
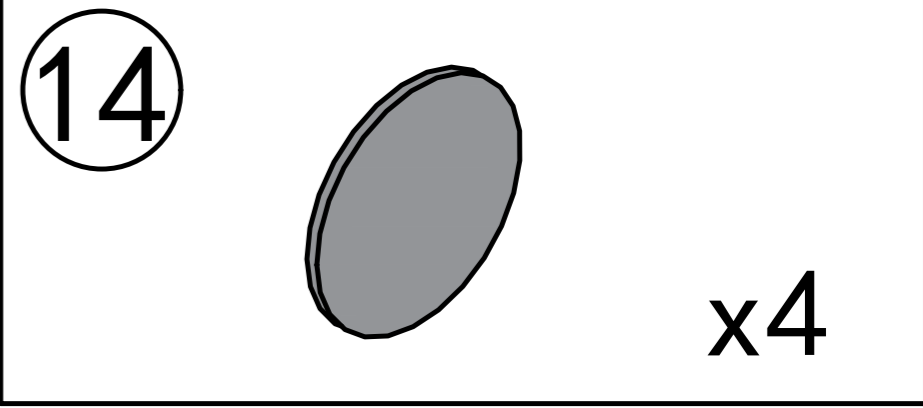


x4

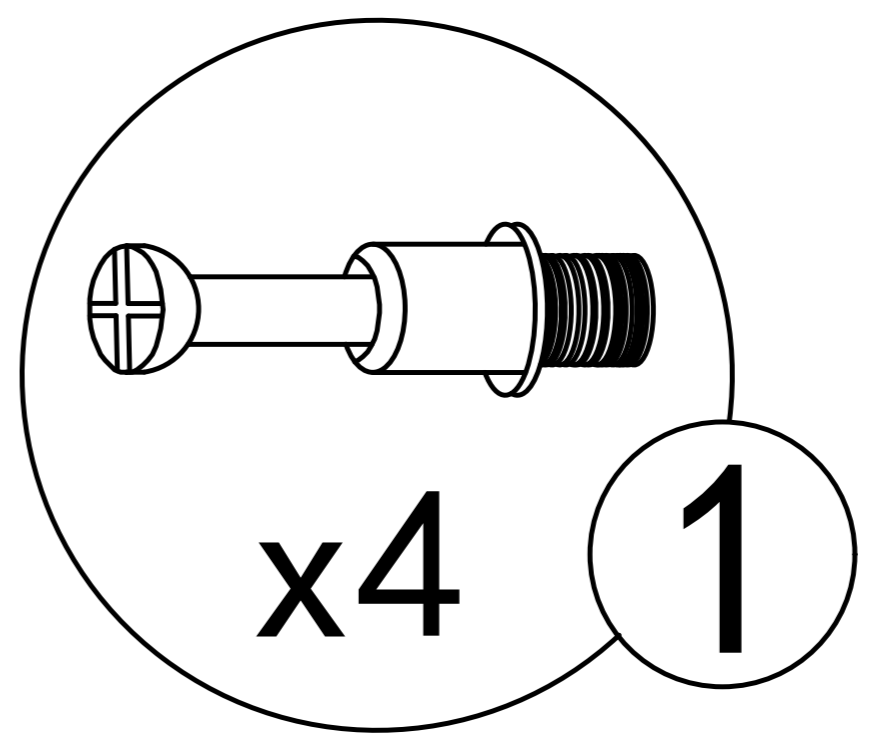
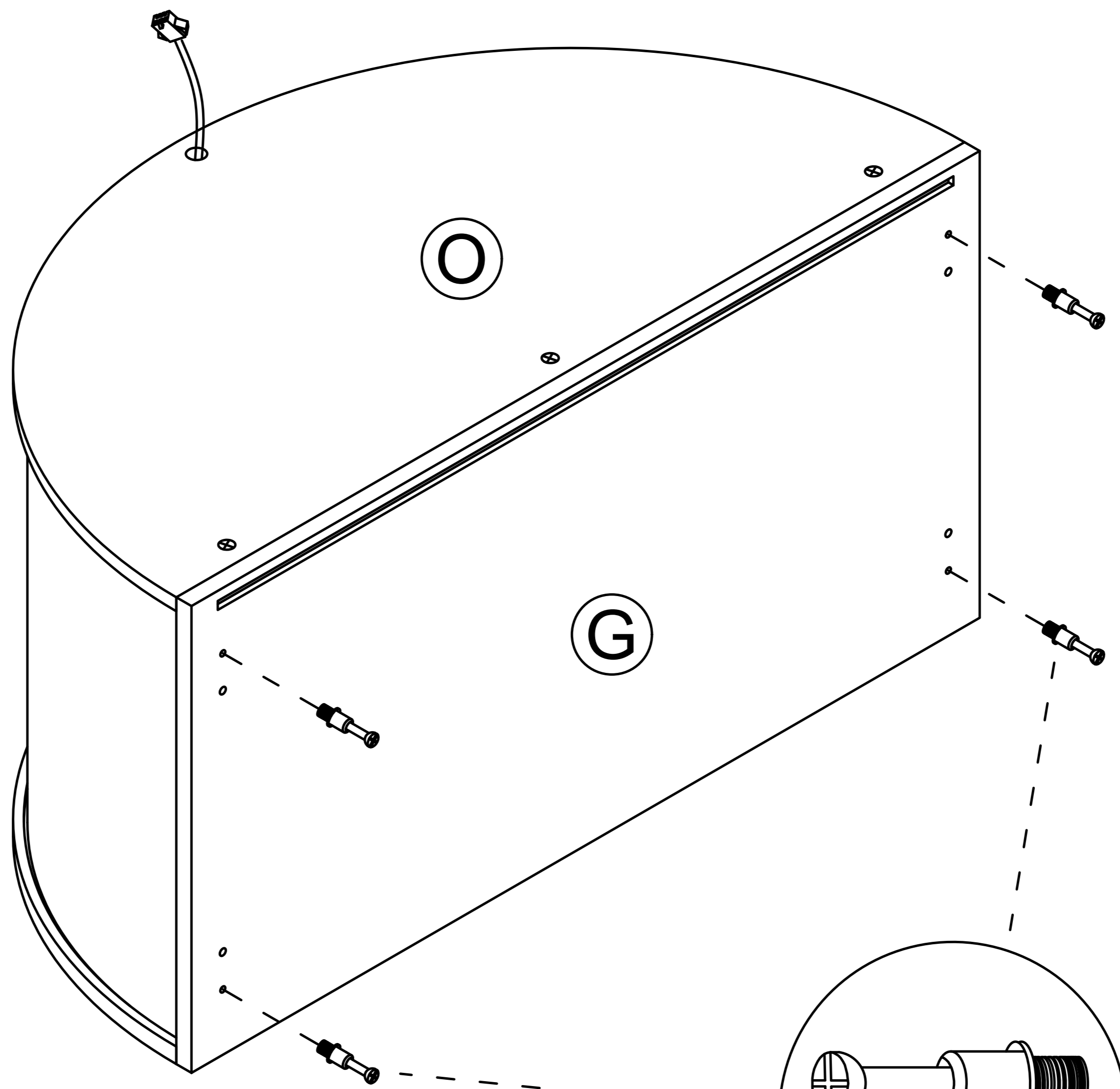
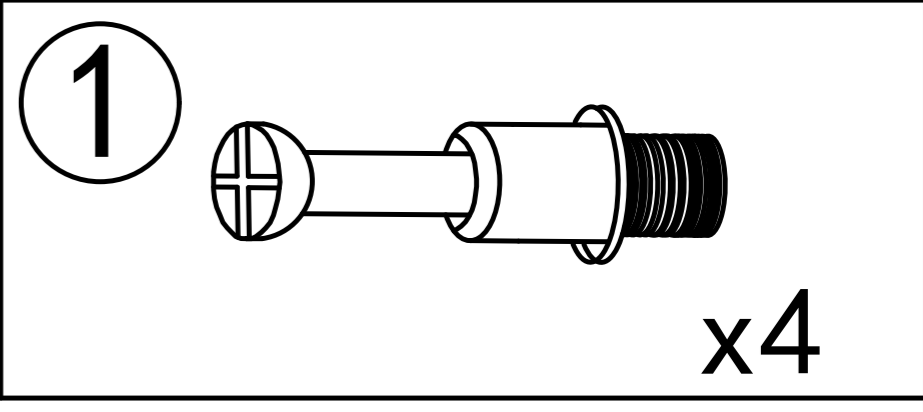
Note: pat the K plate on the left and then screw the nut, then pat the K plate on the right and screw the nut.

21

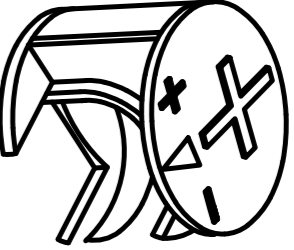
Step 24

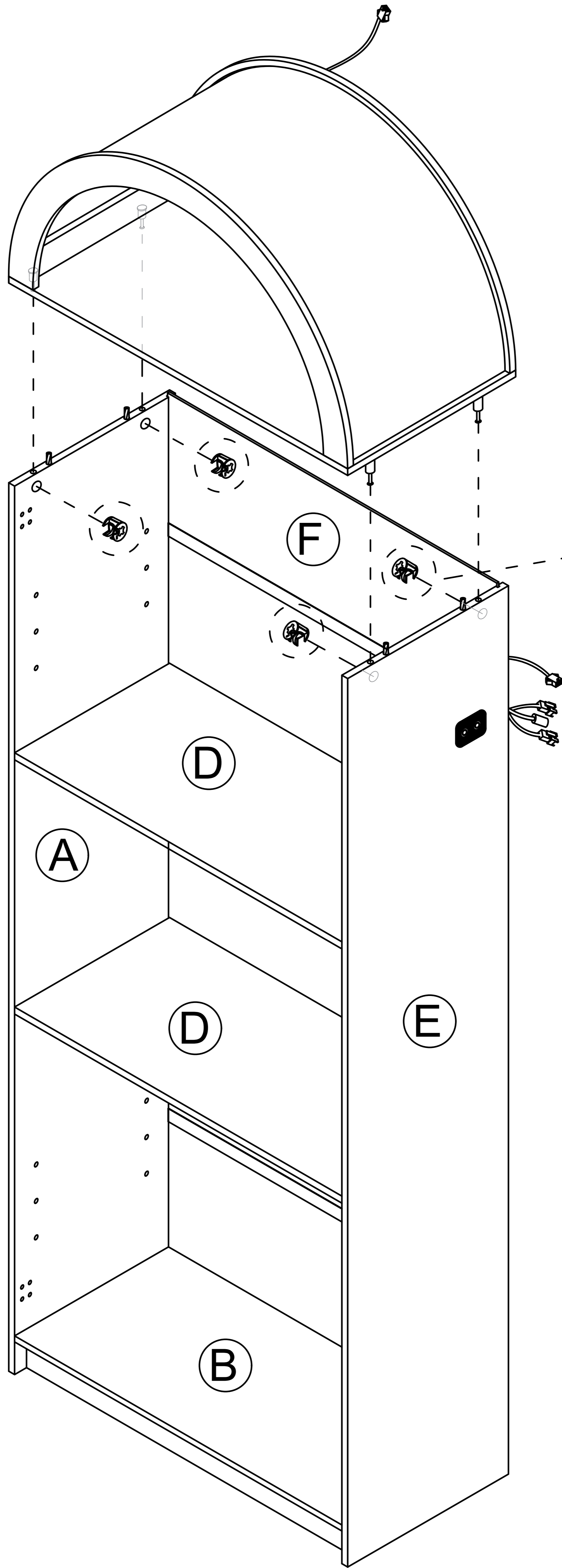


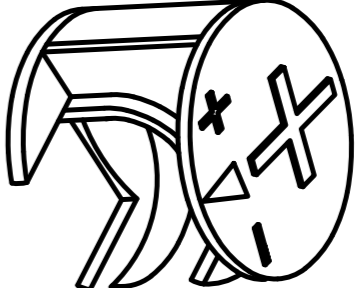
Step 25



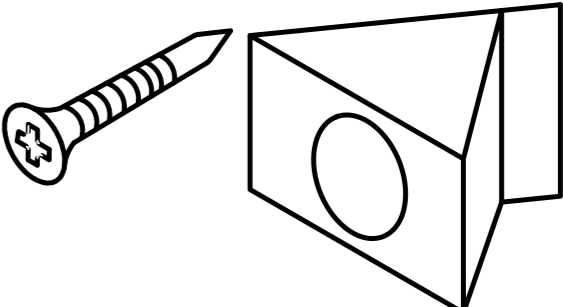
Step 26

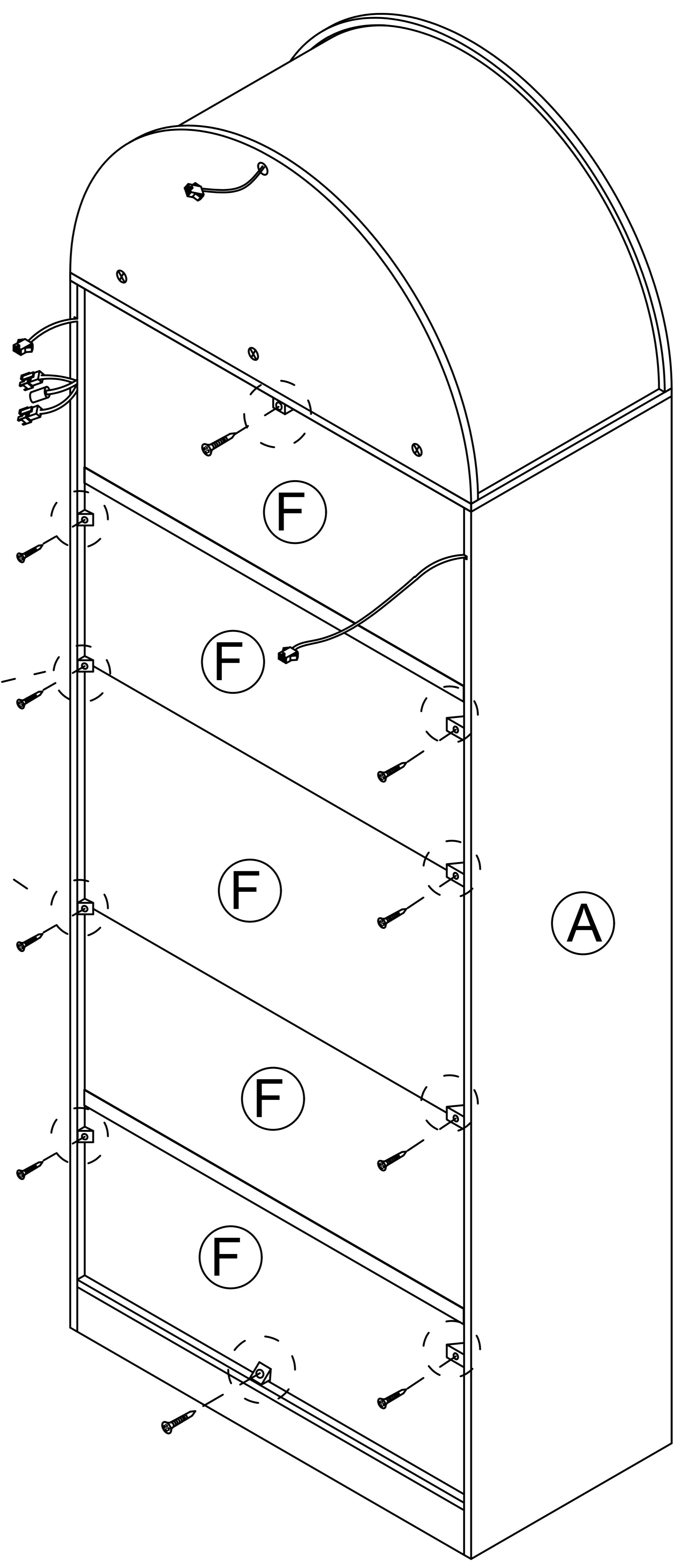
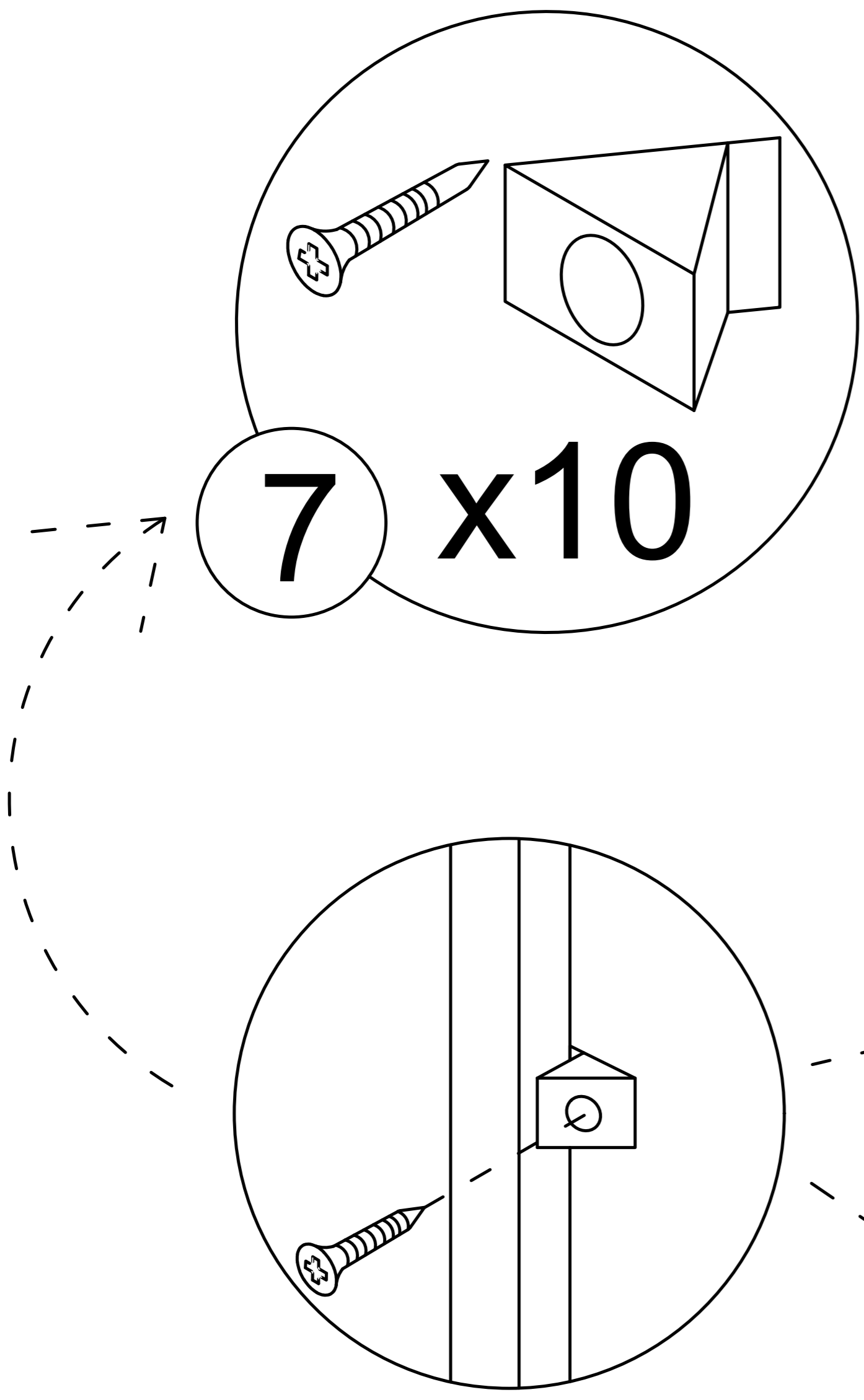
2  x4



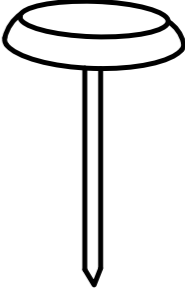
 x4 2

Step 27

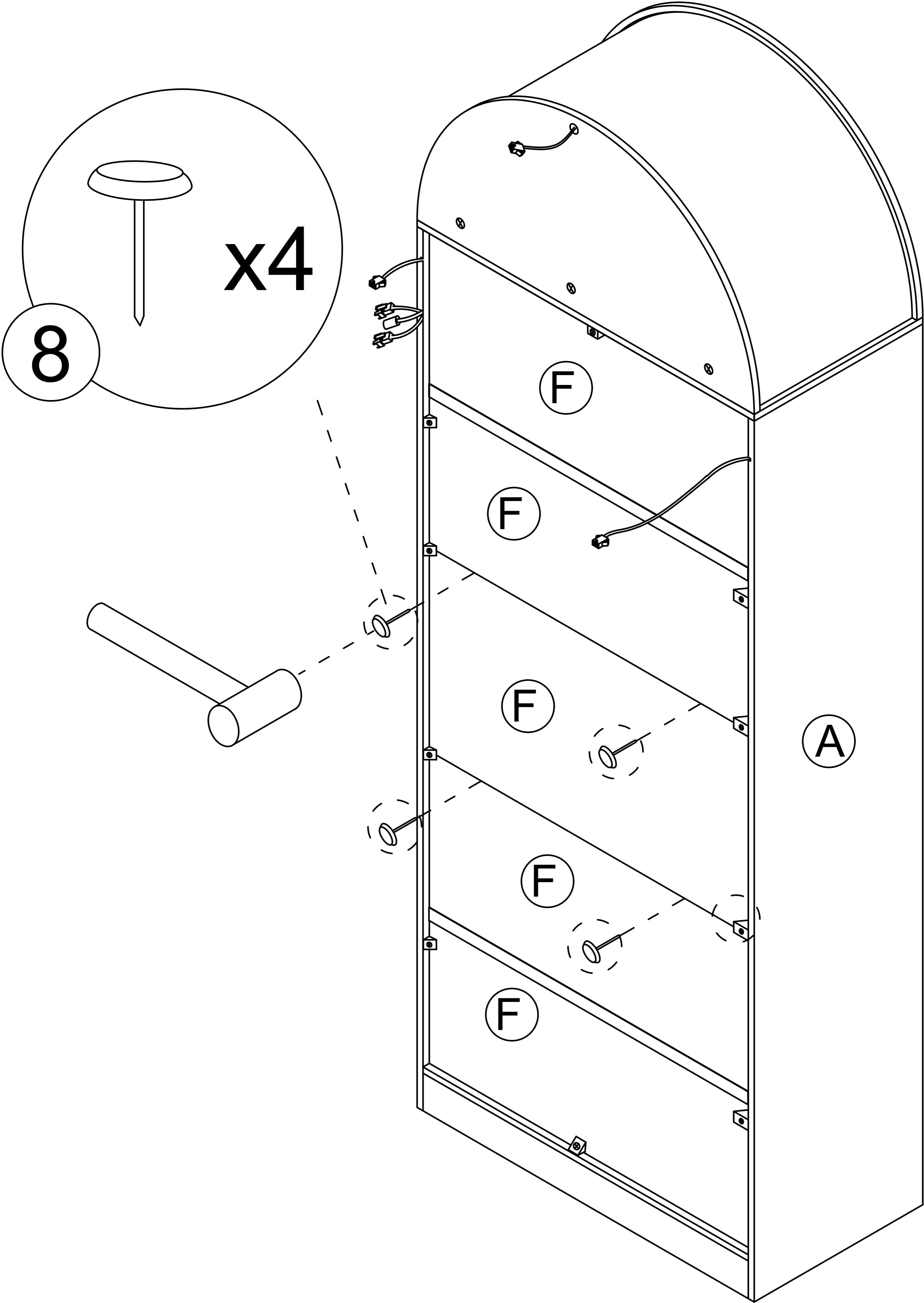
7  x10



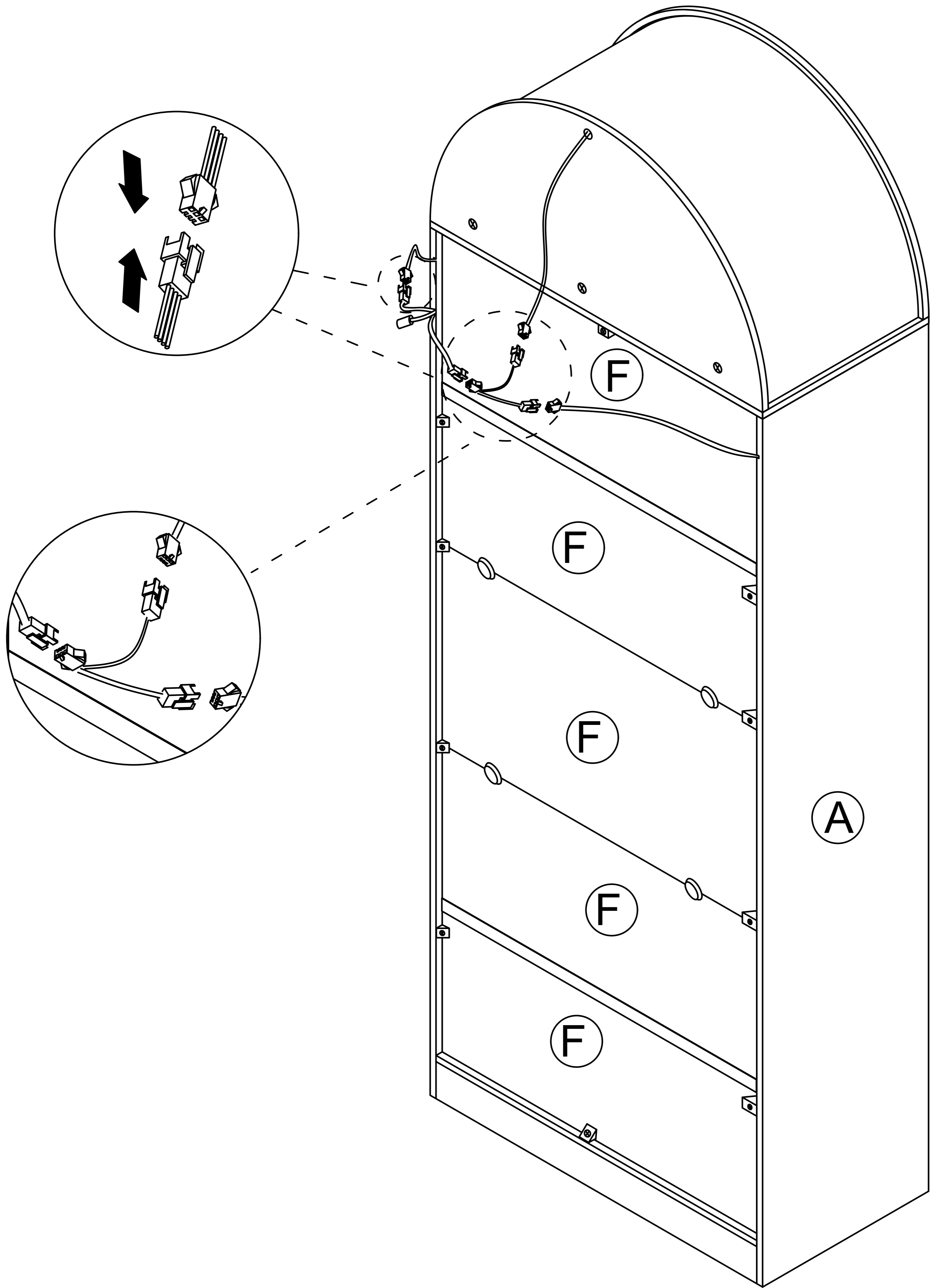
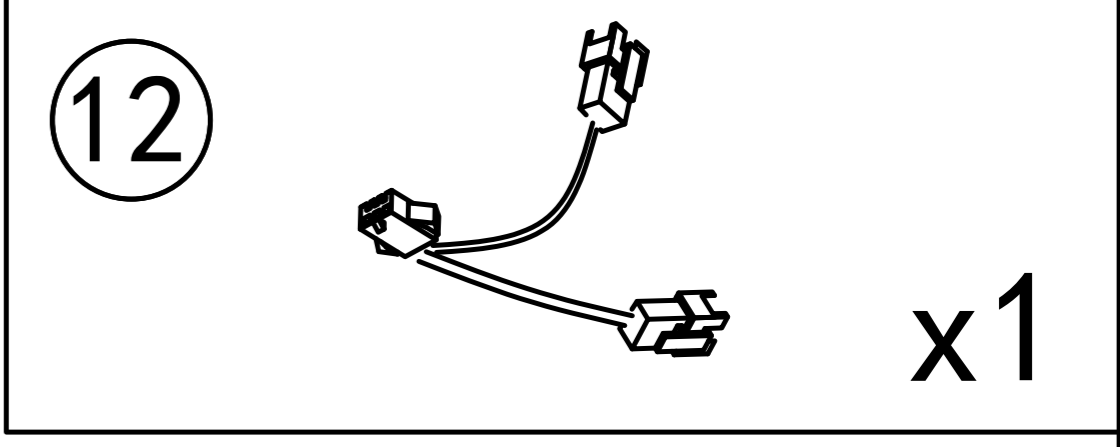
Step 28

8  x4

Use a hammer to drive the nail into the gap of the wooden board and fix the back board



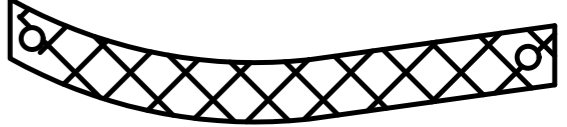
Step 29



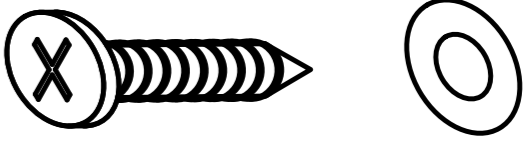
Step 30

Install the anti-rewind tape on the O board.

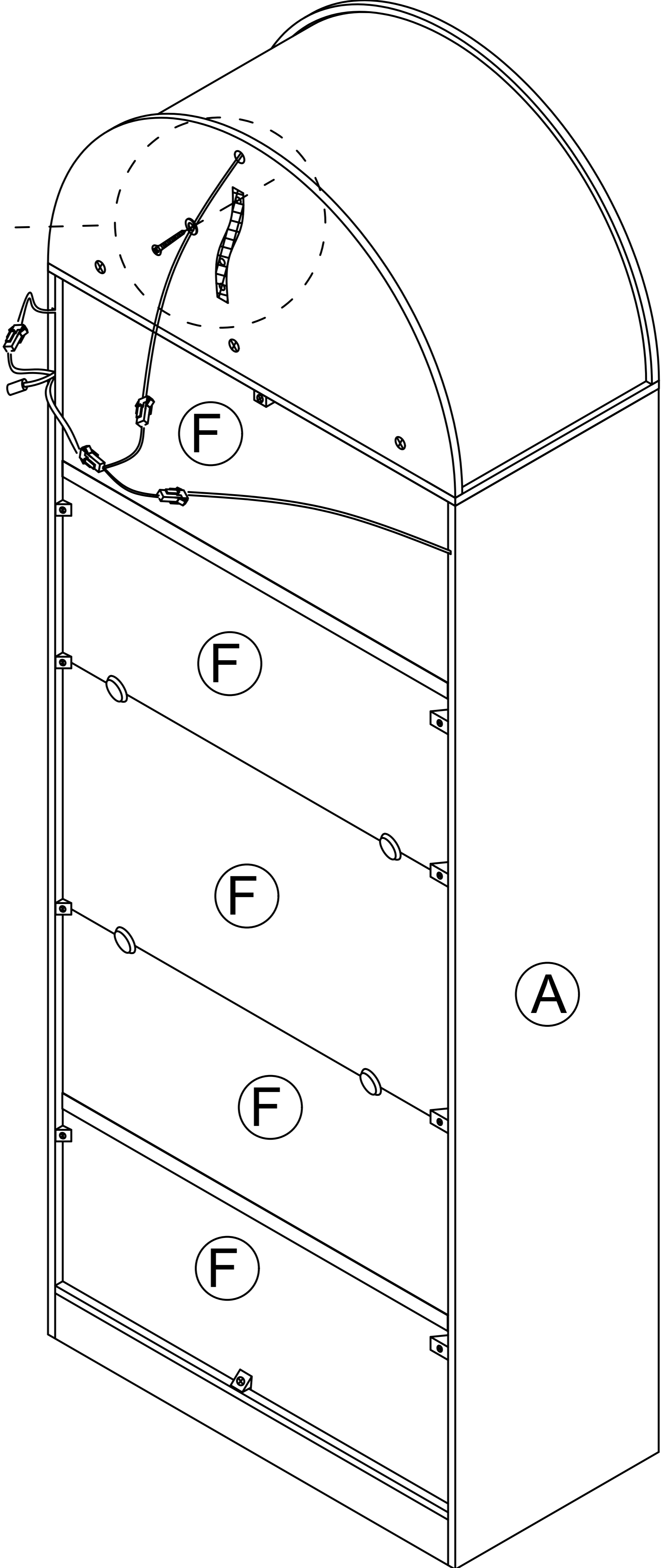
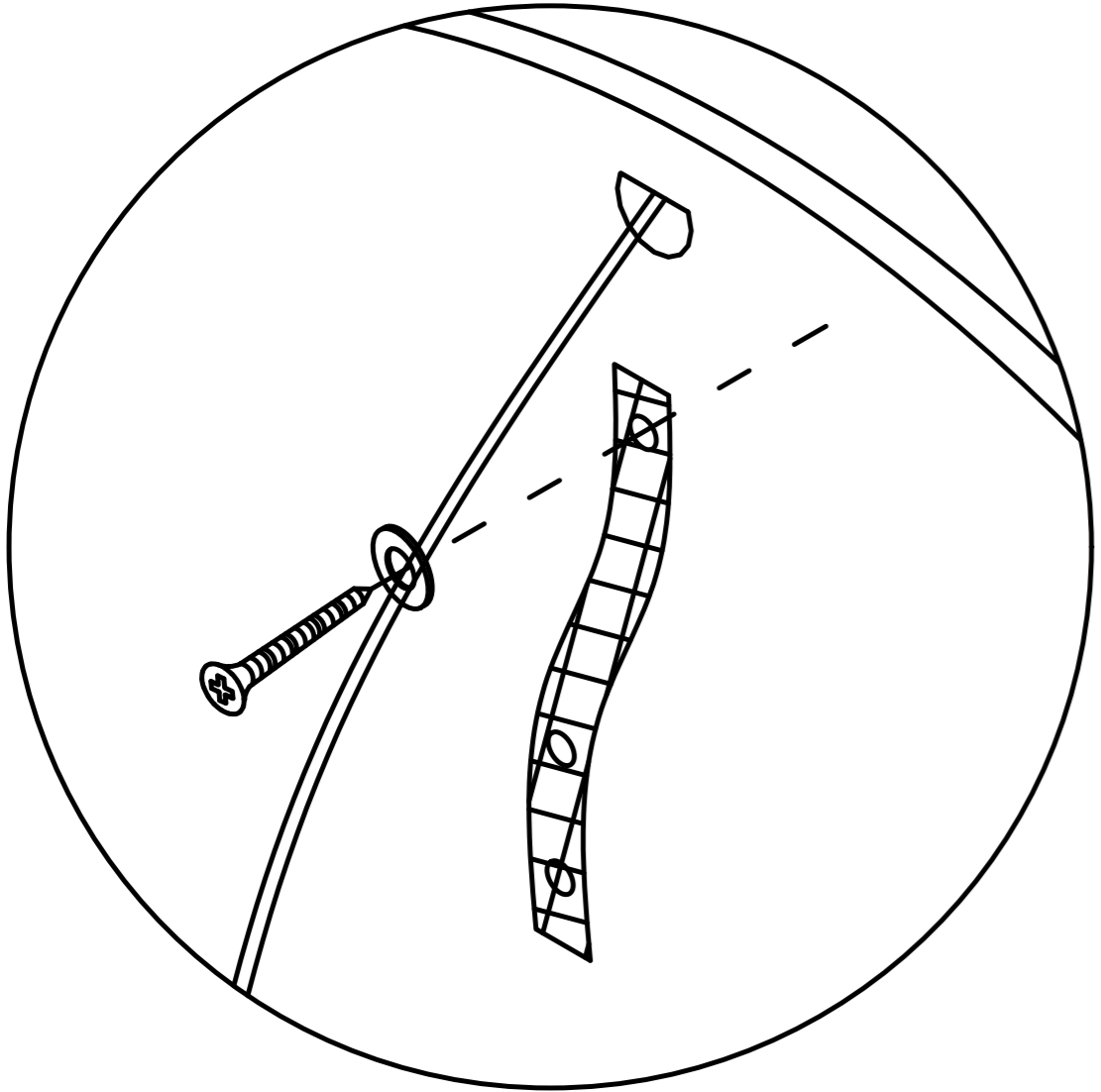
13



x1

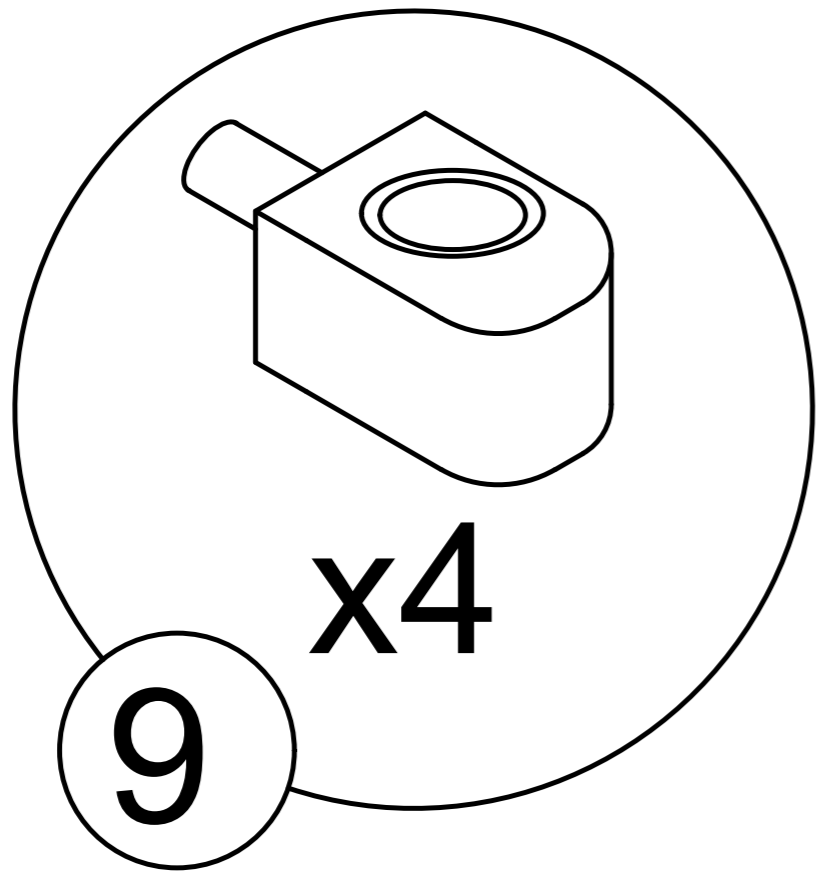
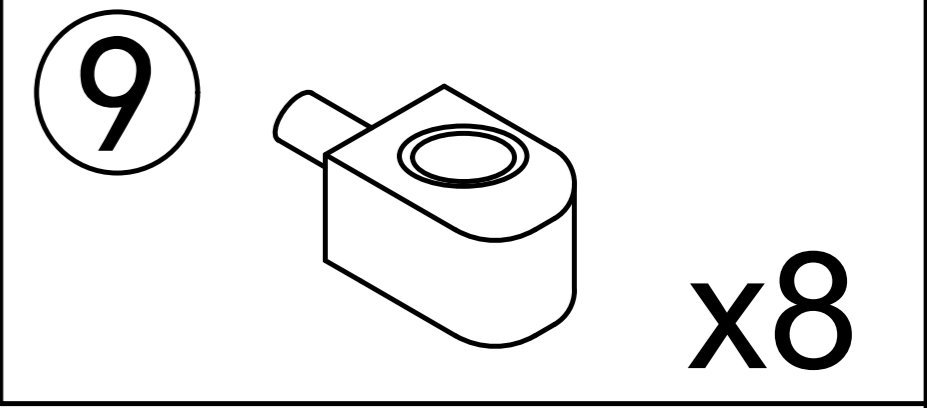


x1

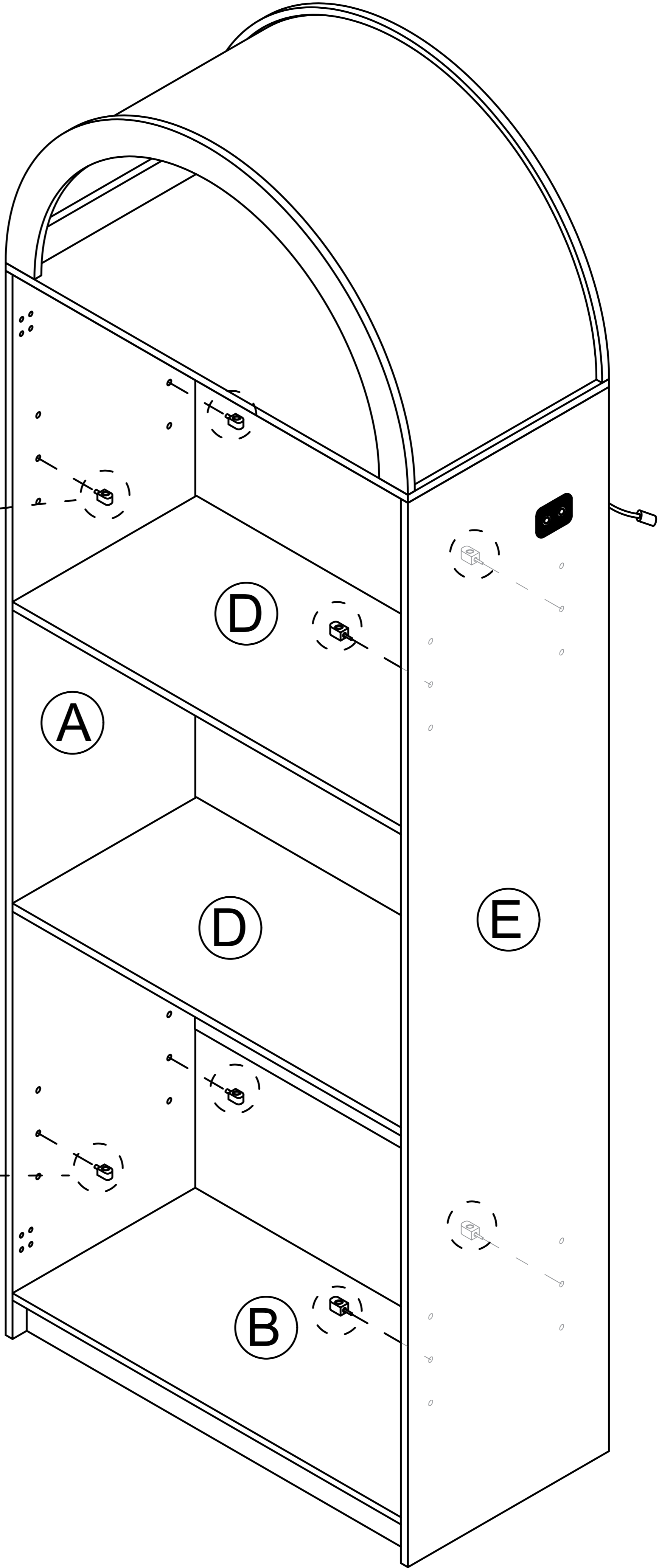
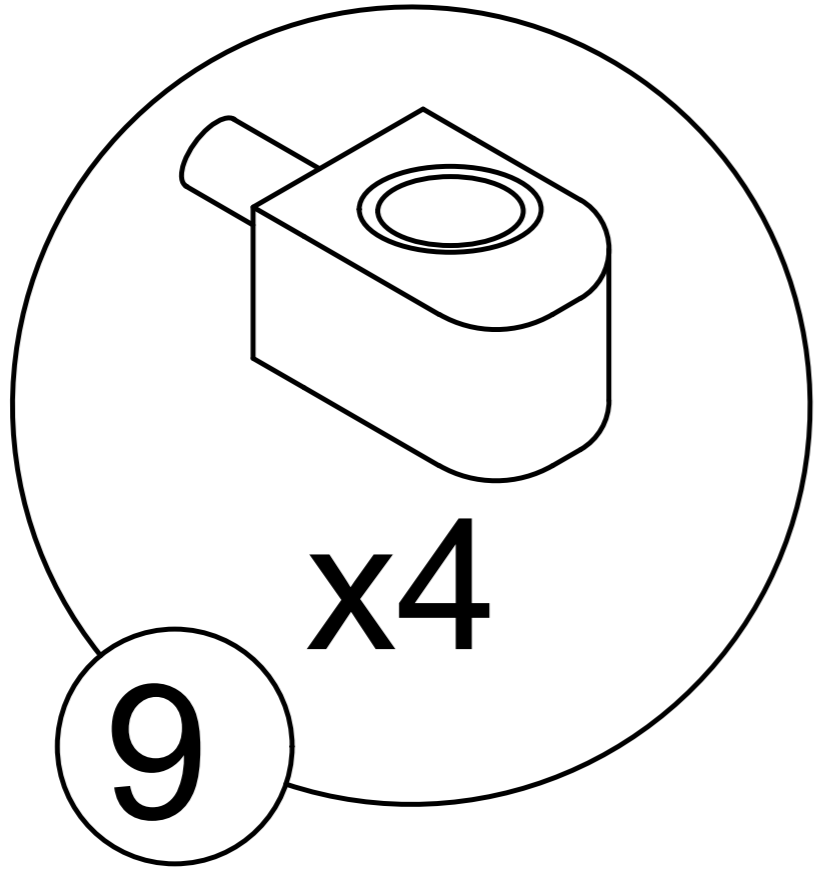


Install anti rewind tape at the edge of the board to prevent insufficient length when connecting to the wall

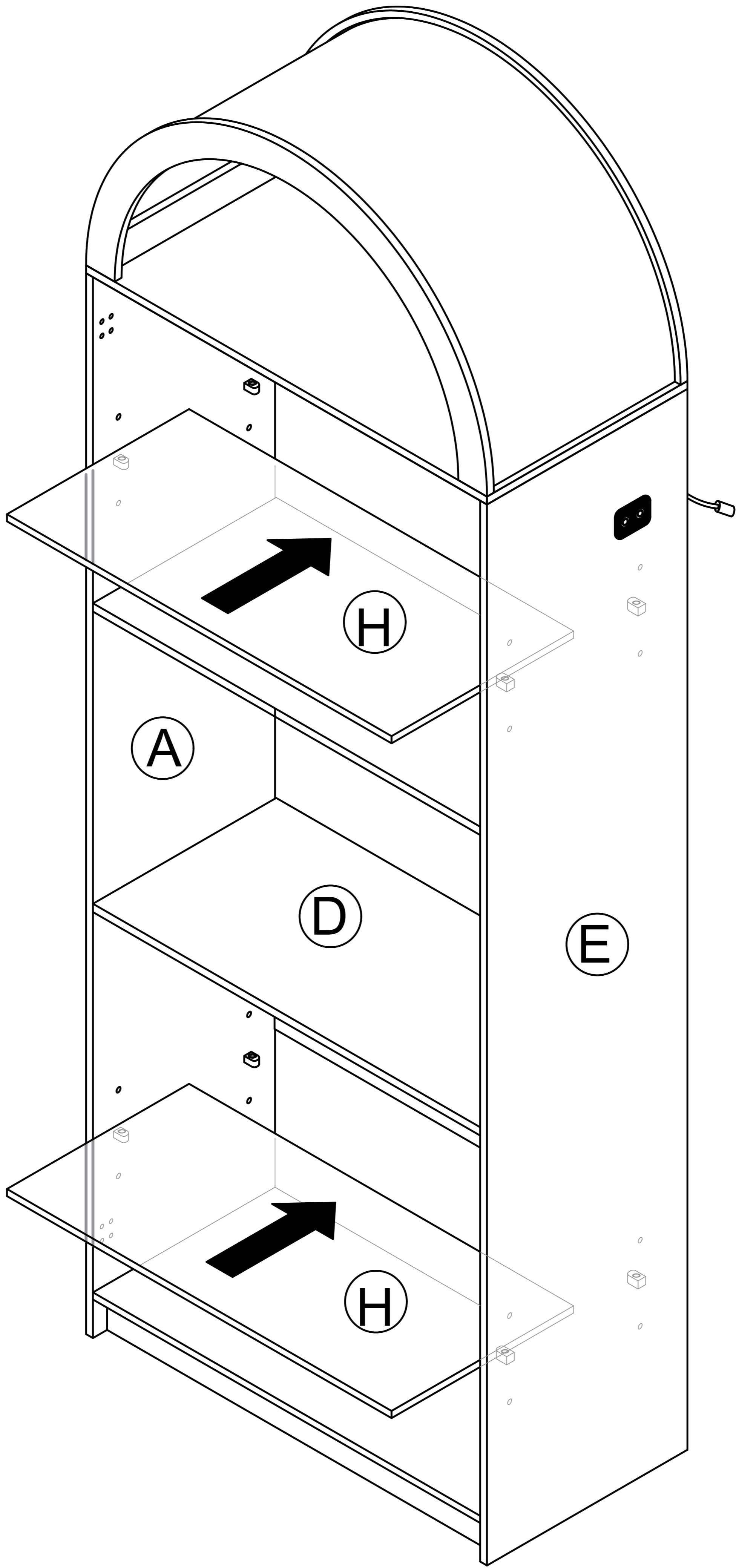
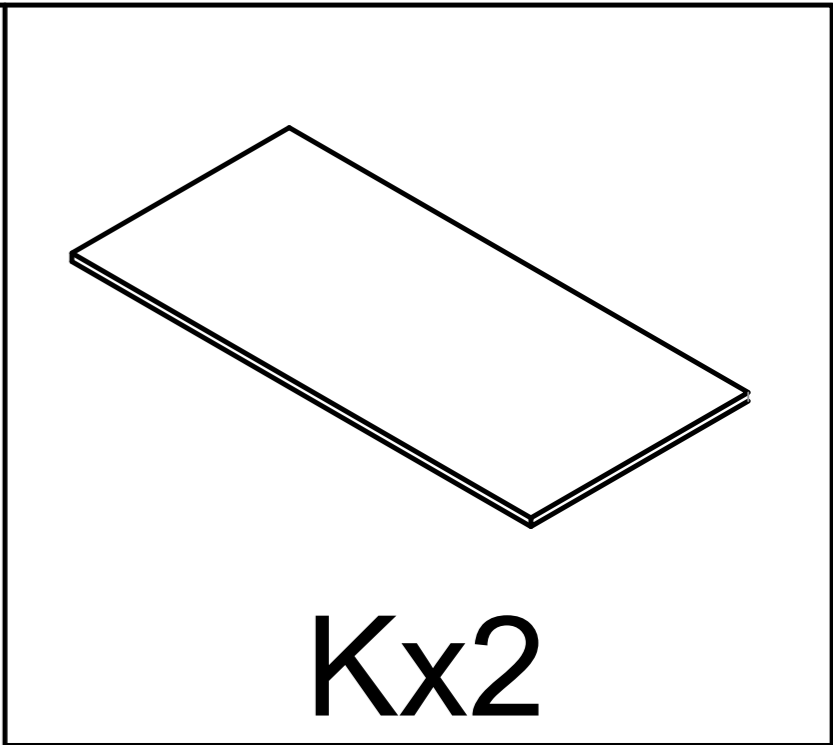
Step 31



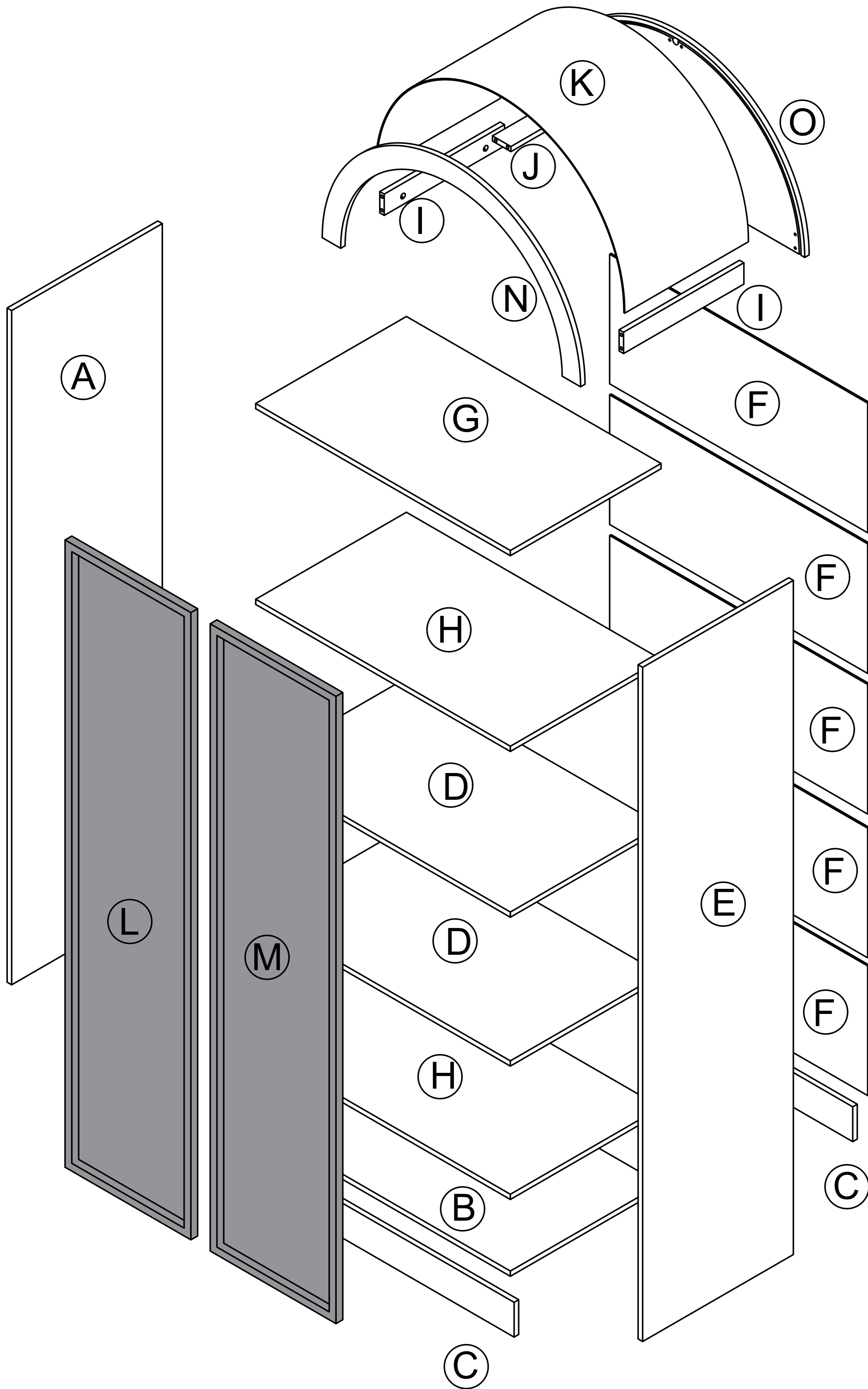
Adjust the height according to the actual situation



Step 32



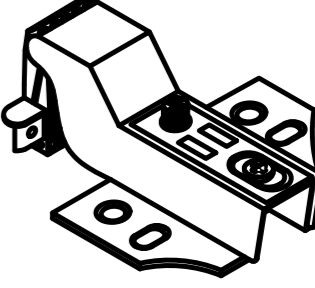
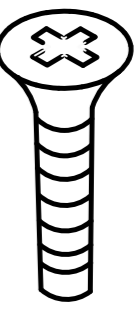
4	2pcs	4pcs	11	16pcs	13	1pcs
10	4pcs	8pcs		1pcs		1pcs 1pcs

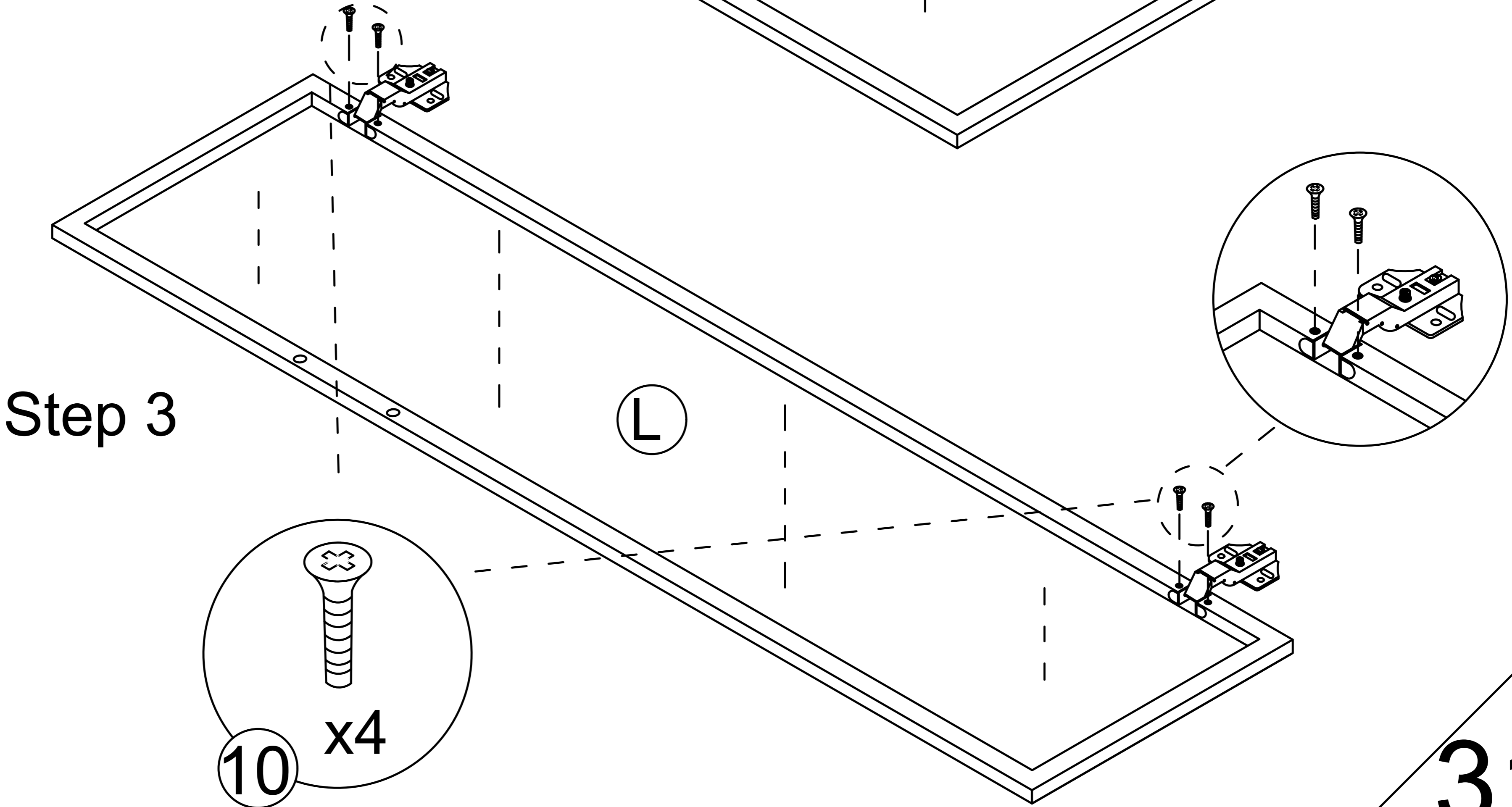
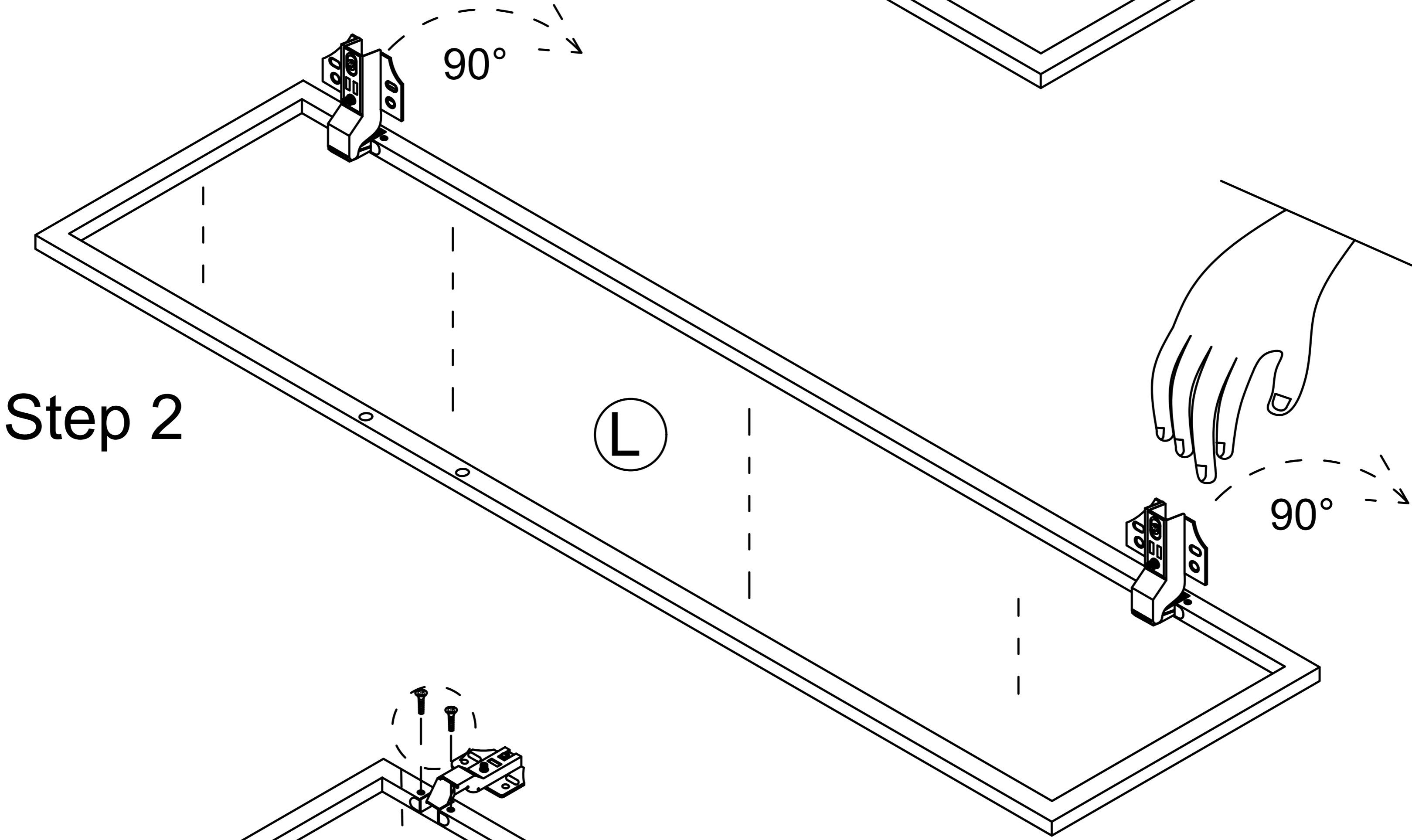
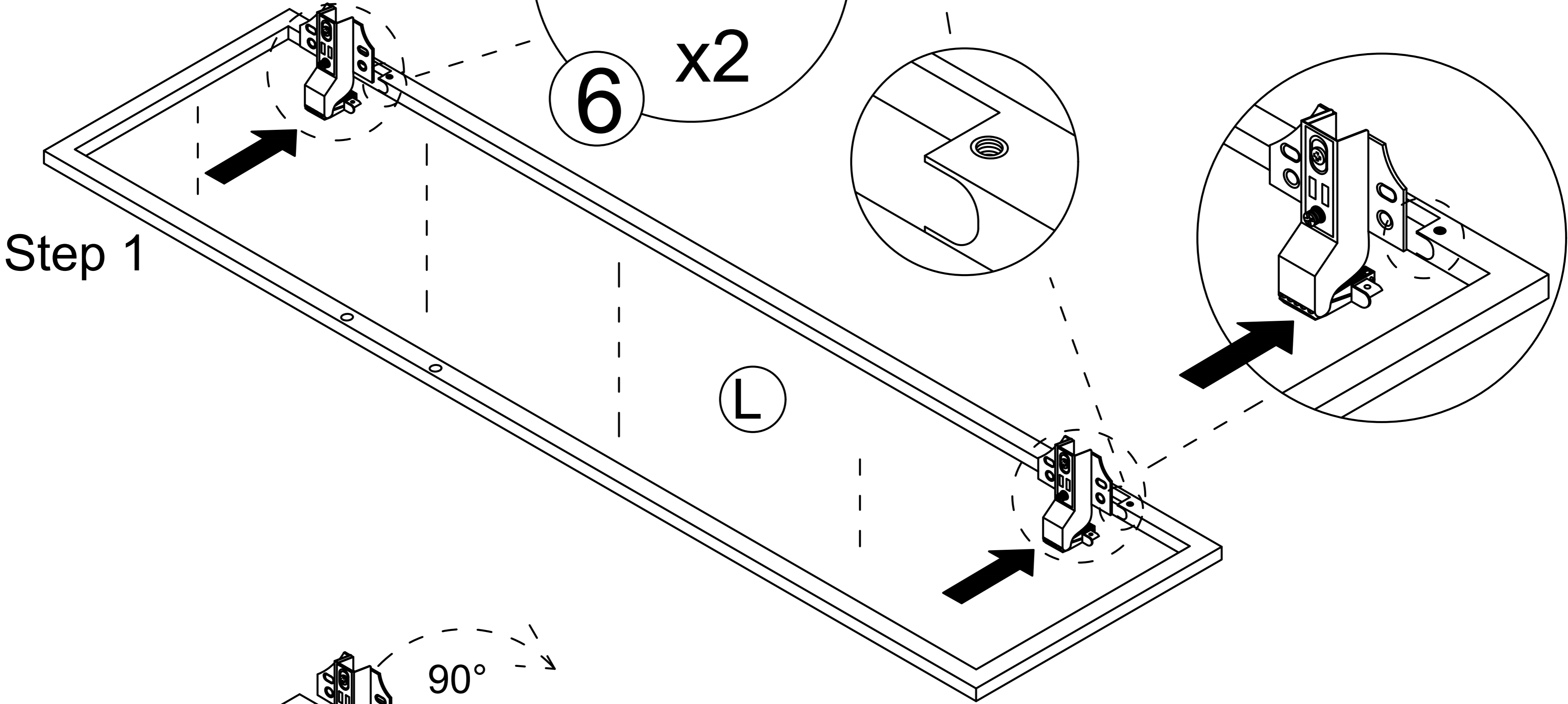


97053
How to Install the Cabinet
Door Frame

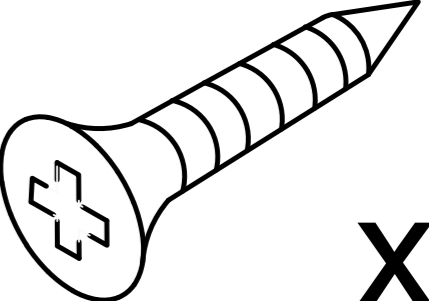
Step 33

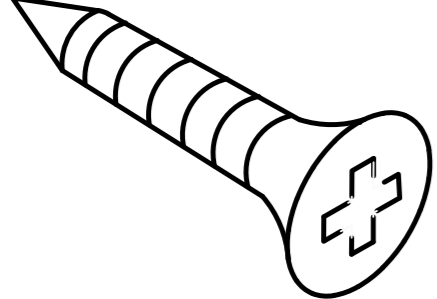
Be careful not to scratch your hand

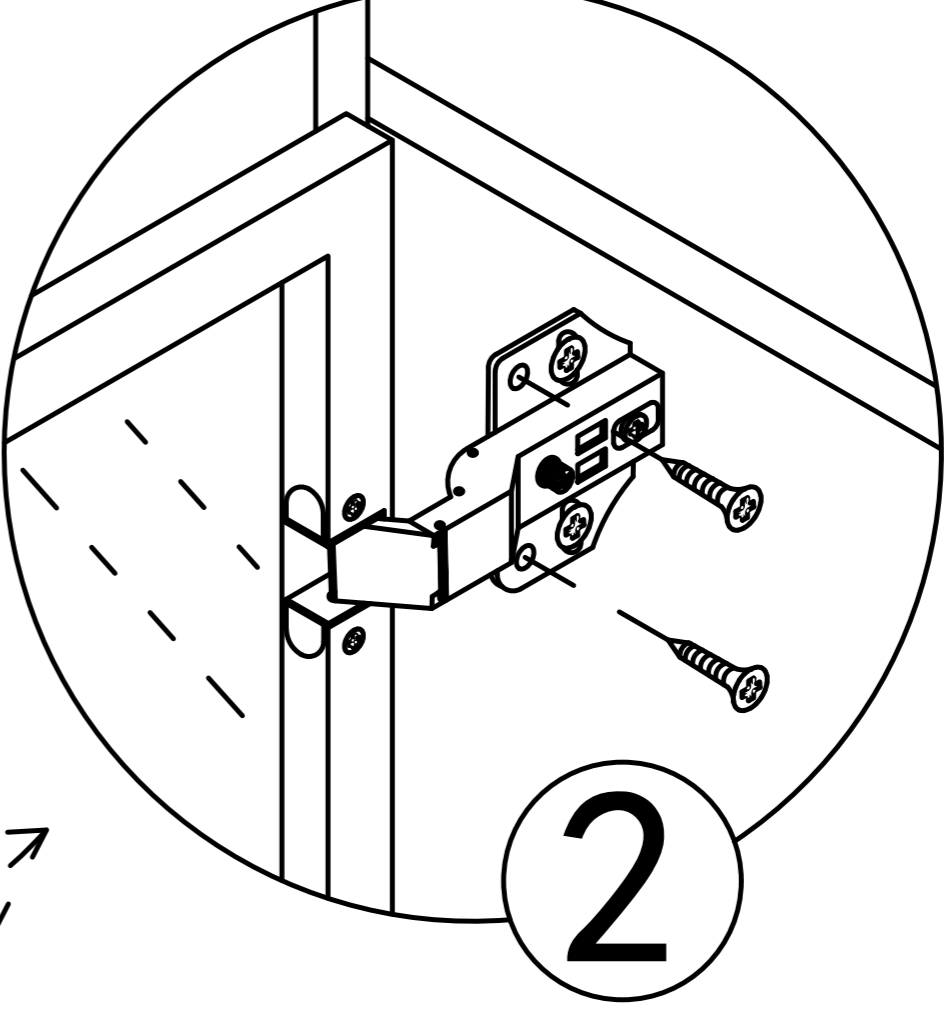
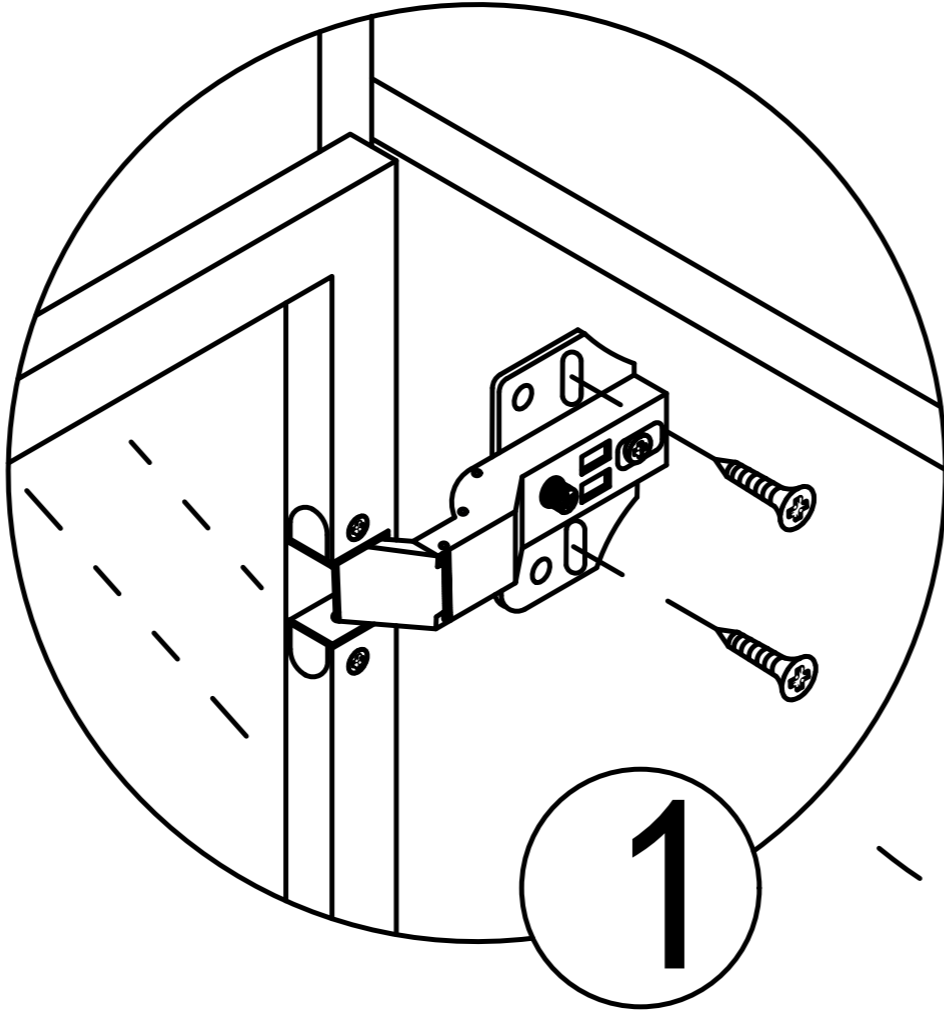
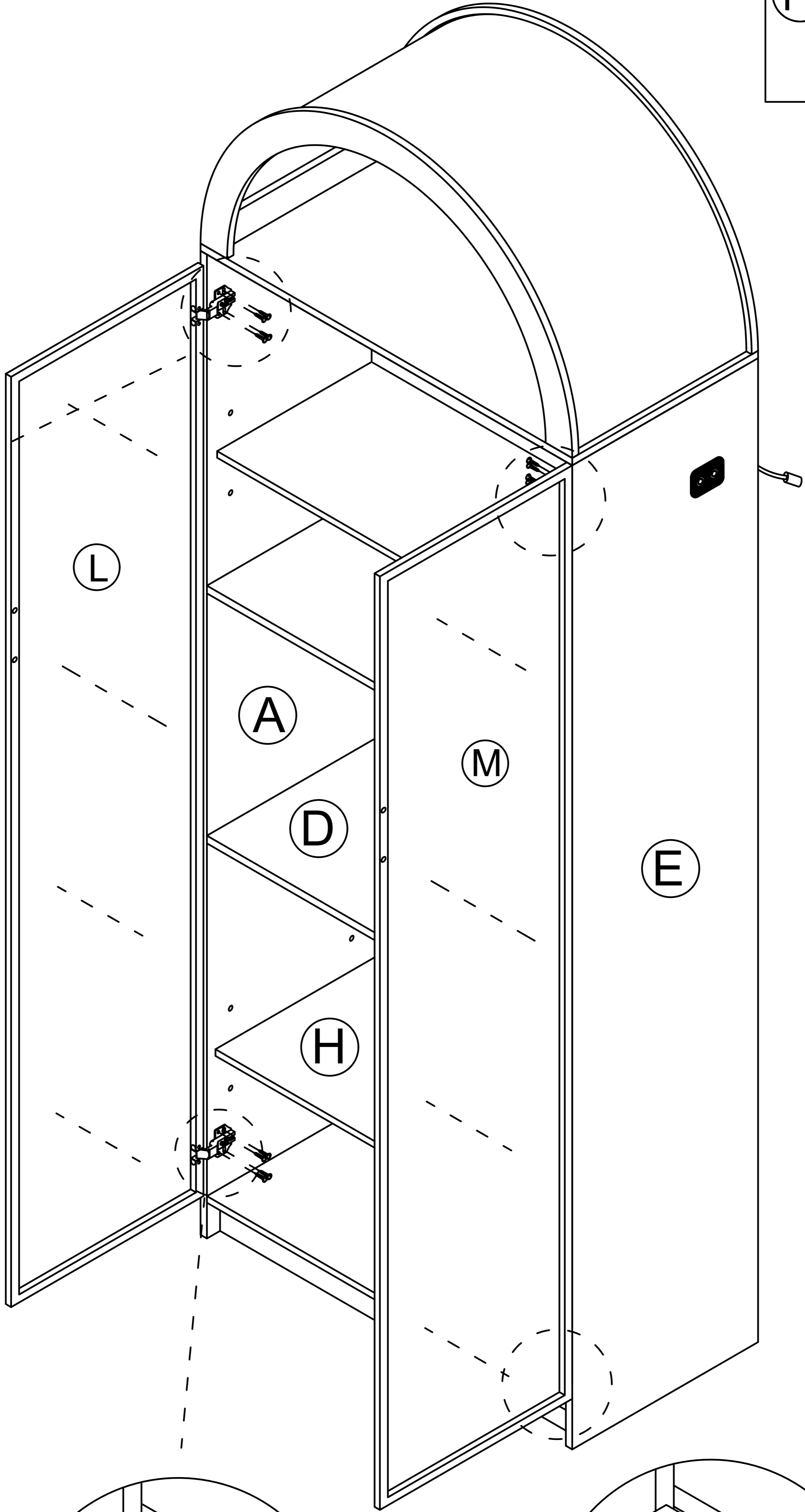
10  x2
 x4



Step 35

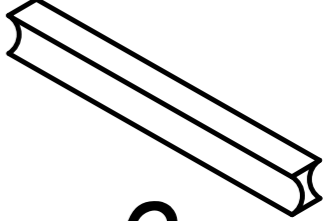

11  x16

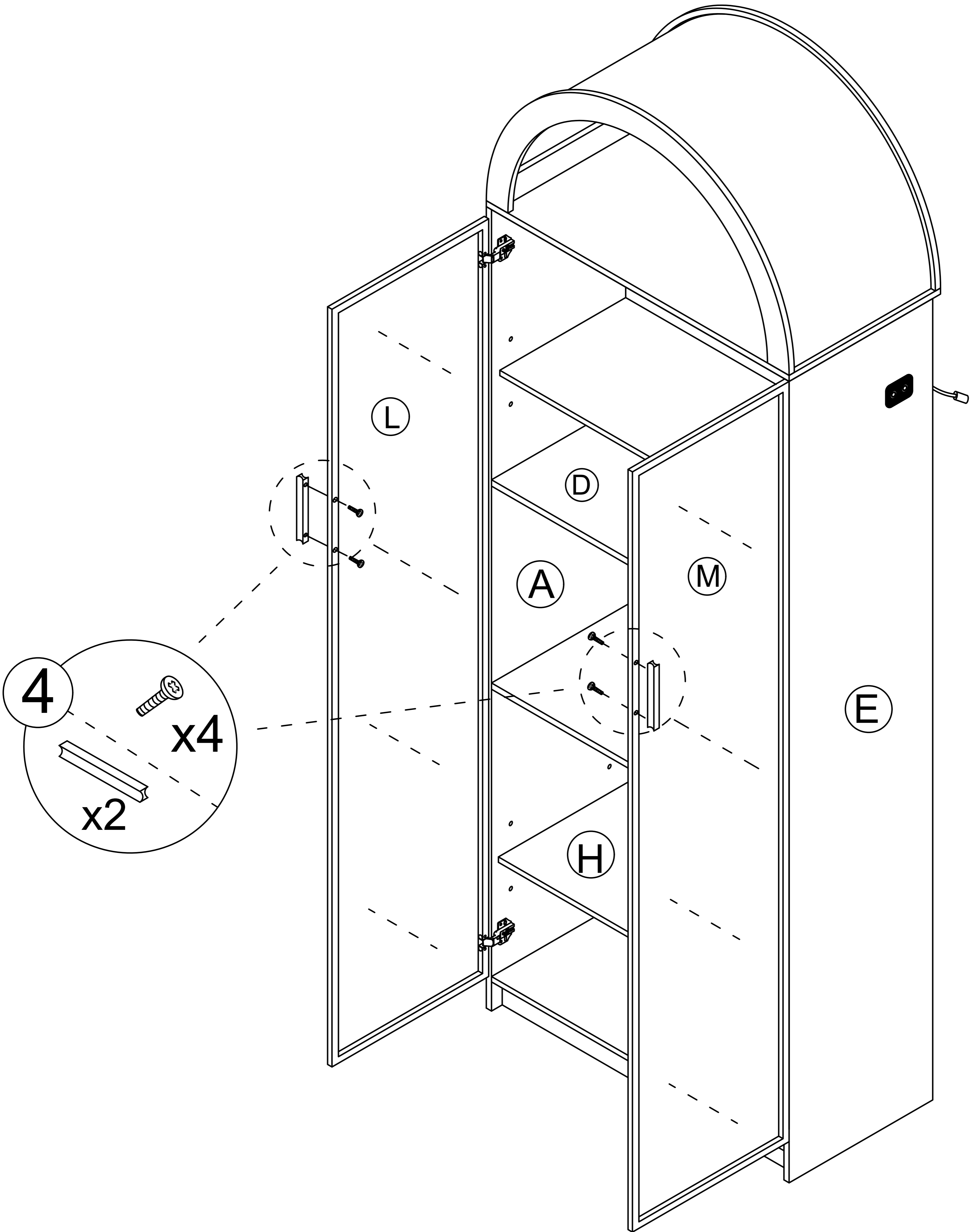
 x16 11





First lock the elliptical hole
then lock the fixed hole

Step 36

4  x2  x4



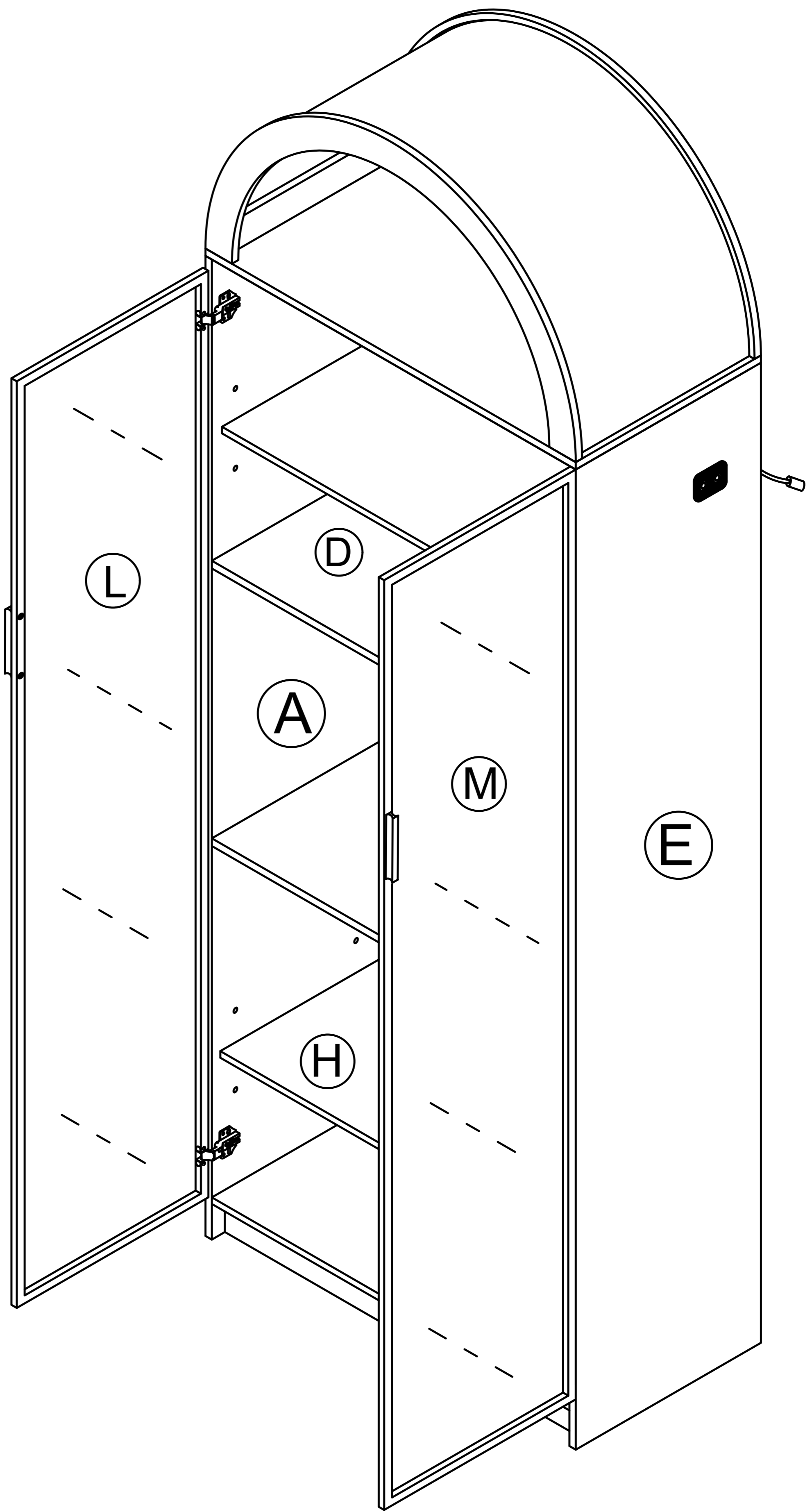
4  x2  x4

Step 37

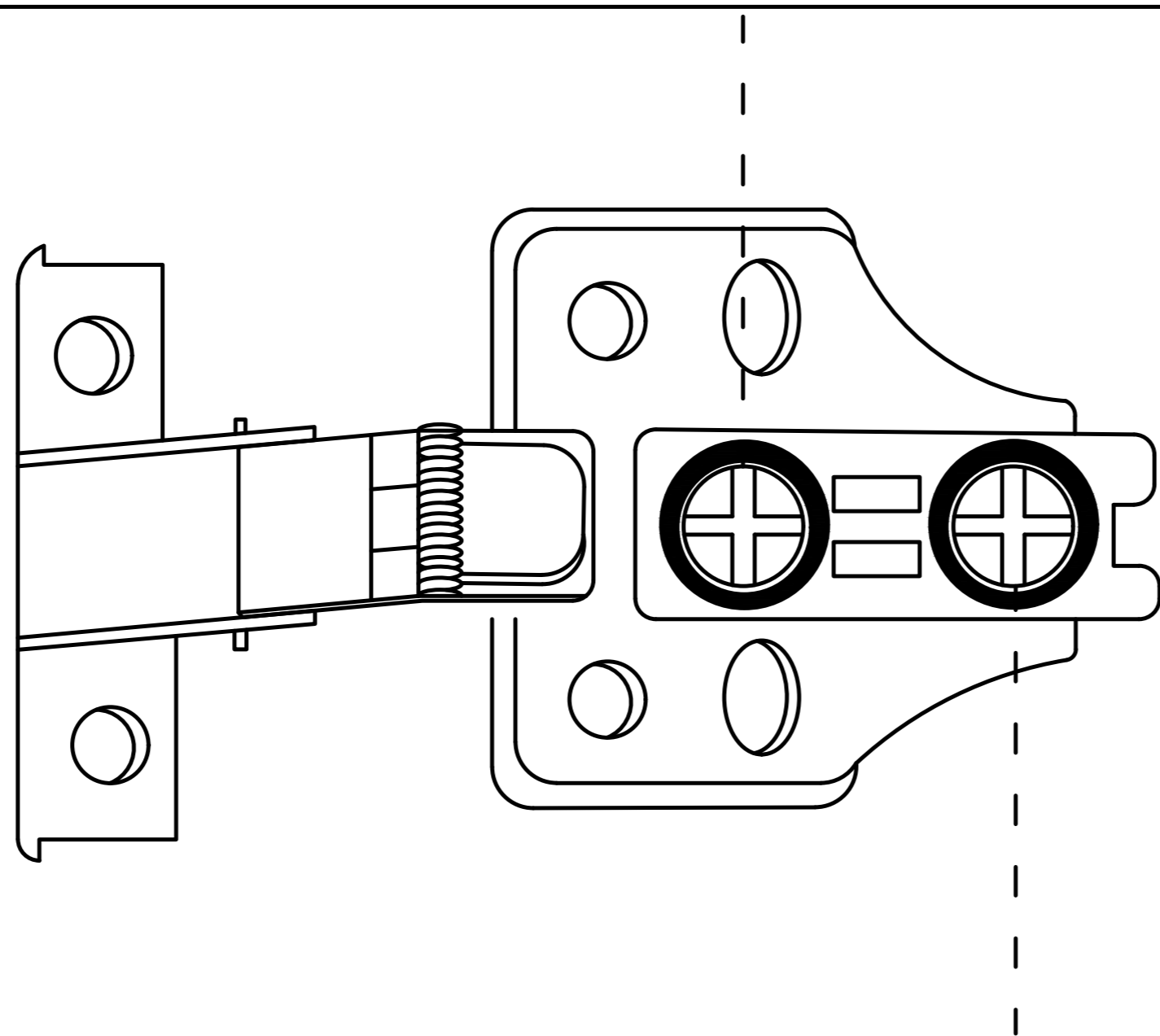


97053

How to adjust the gap between the doors

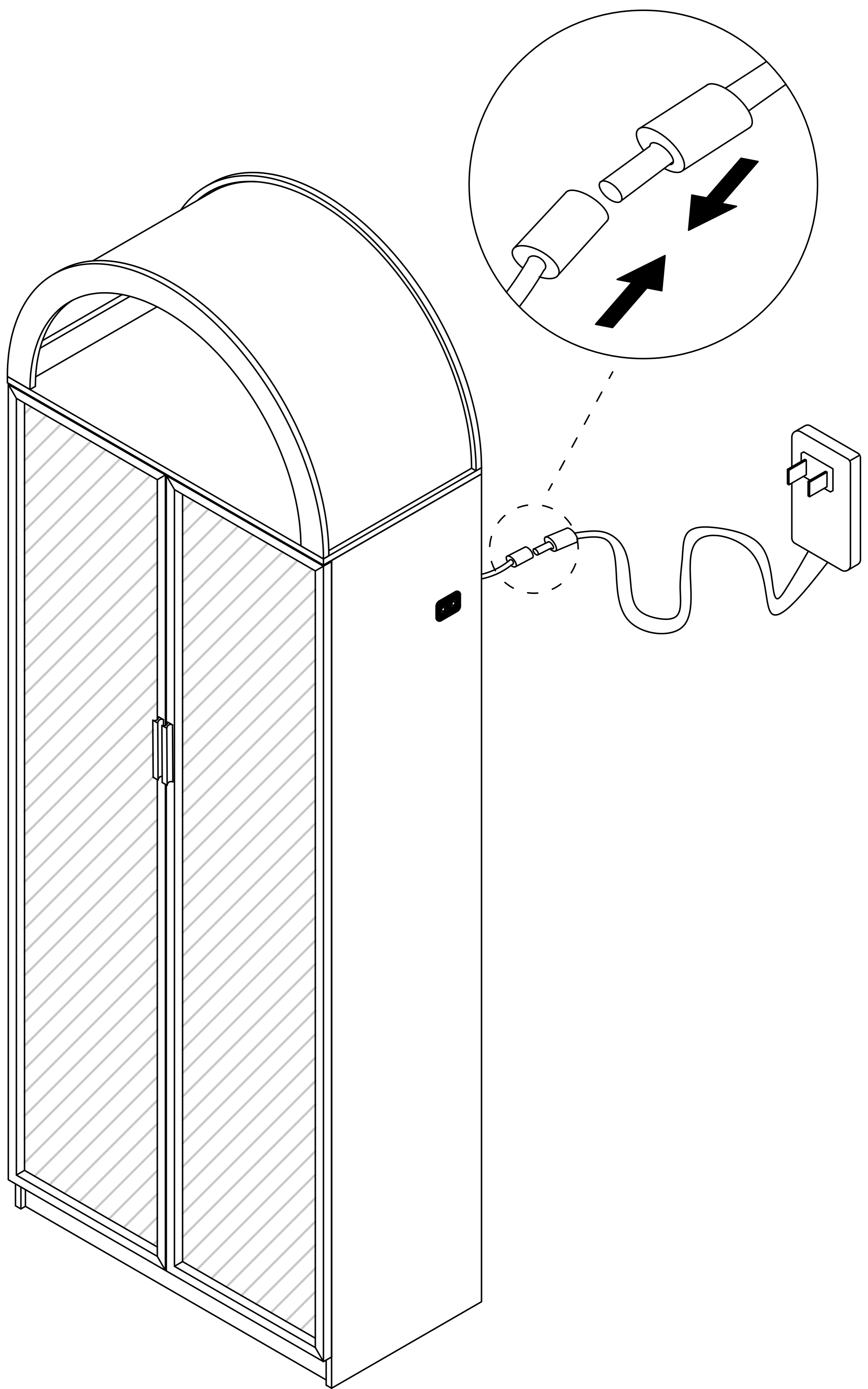
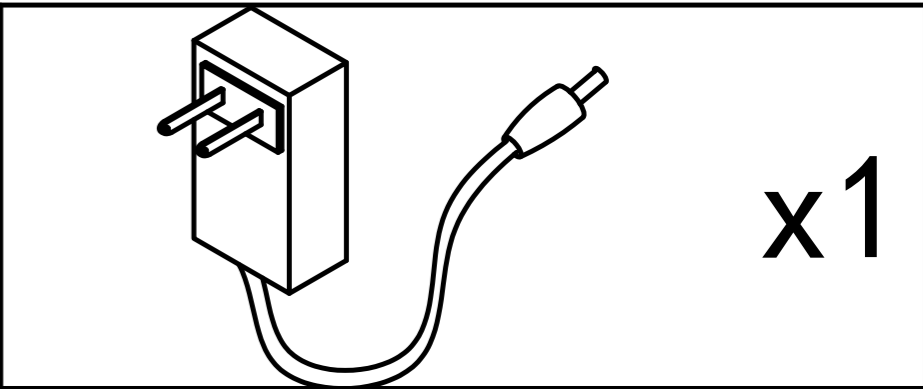


Turning this screw can effectively adjust the size of the door gap.

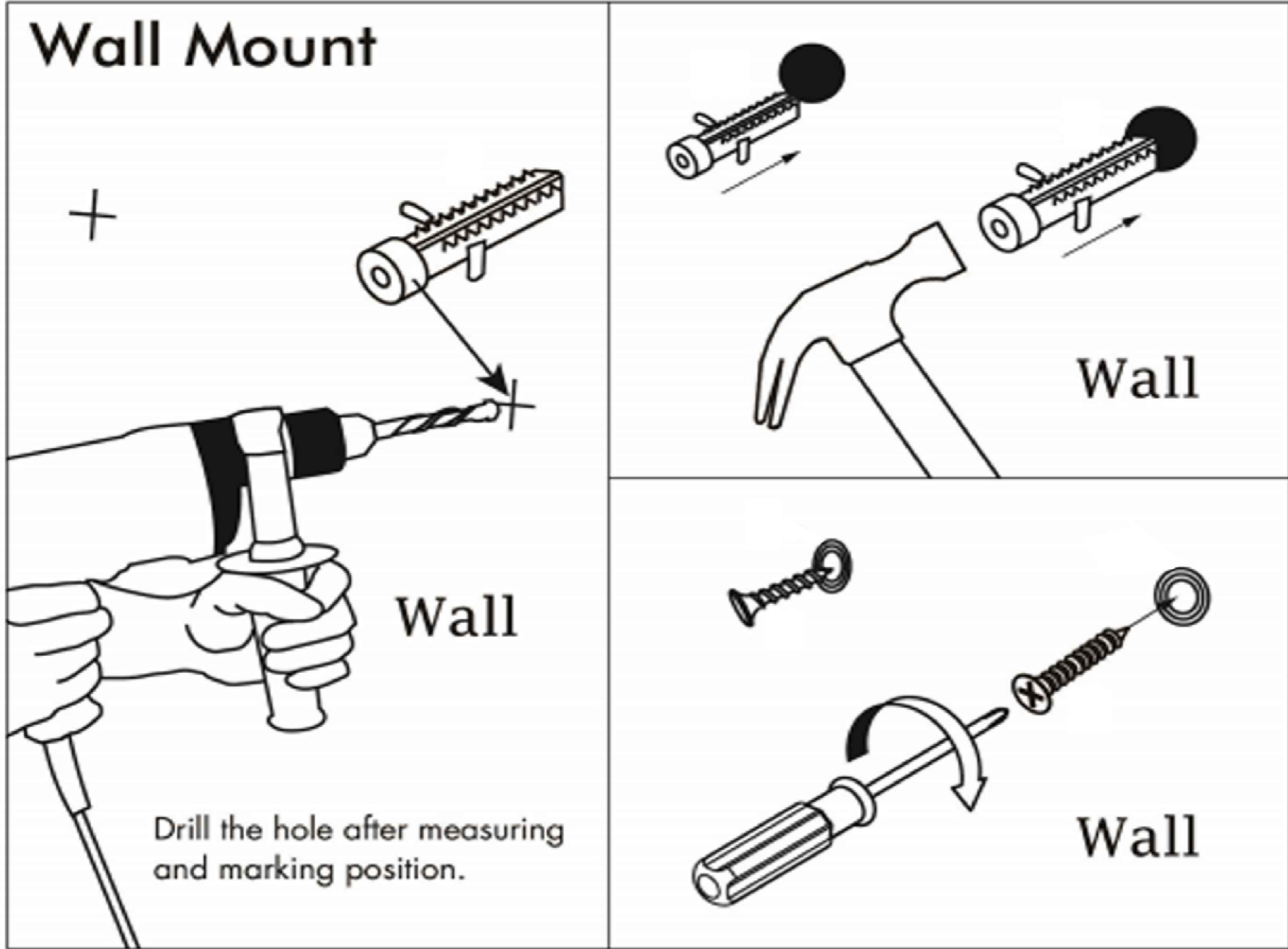


Turn this screw to adjust the door panel to be flat with the side panel.

Step 38

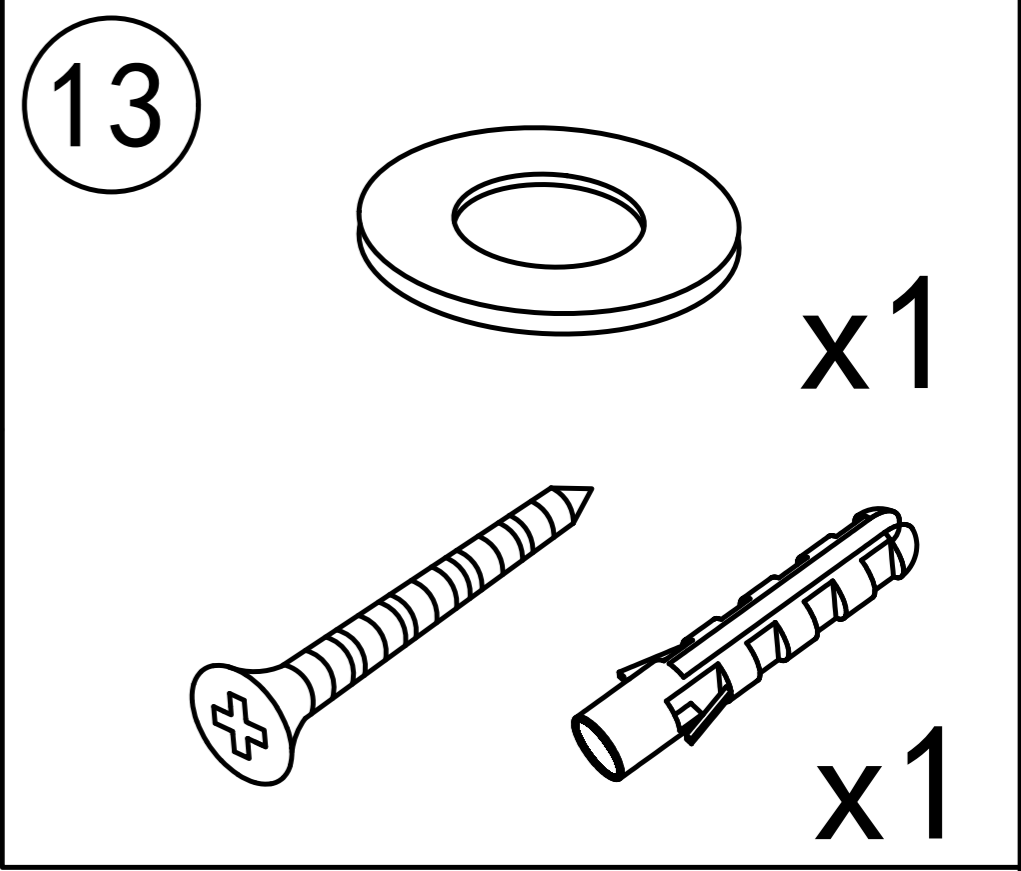


Step 39



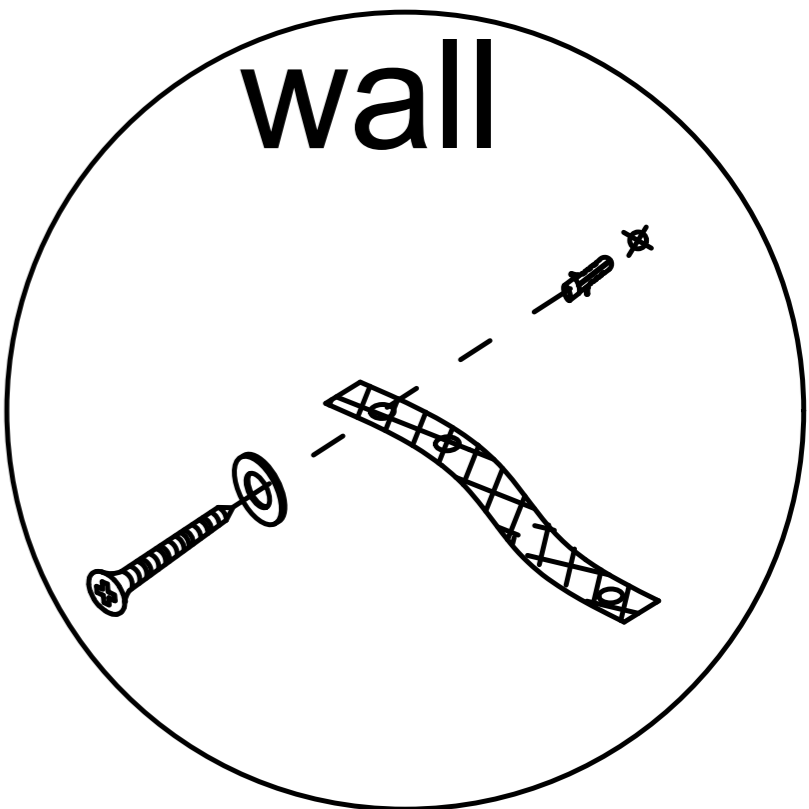
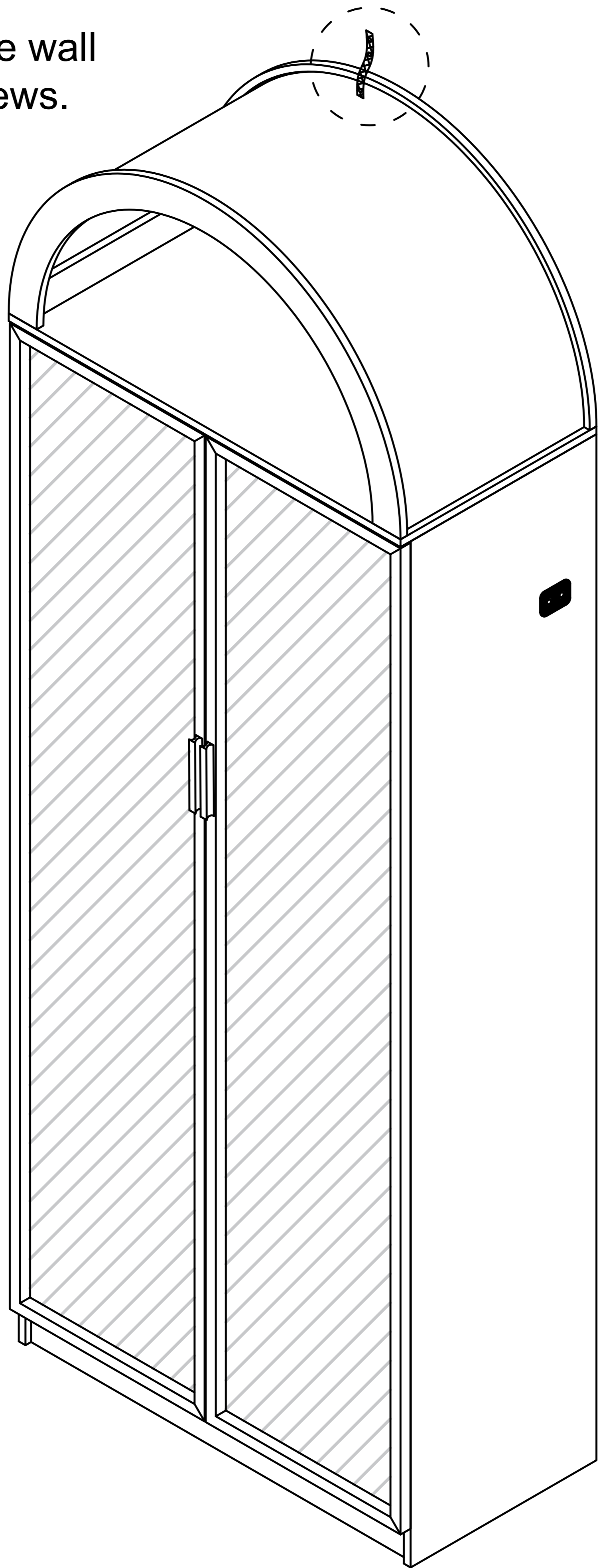
use a ruler to measure the approximate height of the product on the wall, and then mark it with a pencil.

Use a tape drill to make holes in the wall that are suitable for the product screws.



Put the expansion bolt into the hole.

Pass the matching screws through the "anti-rewind" and tighten them to fix them on the wall.



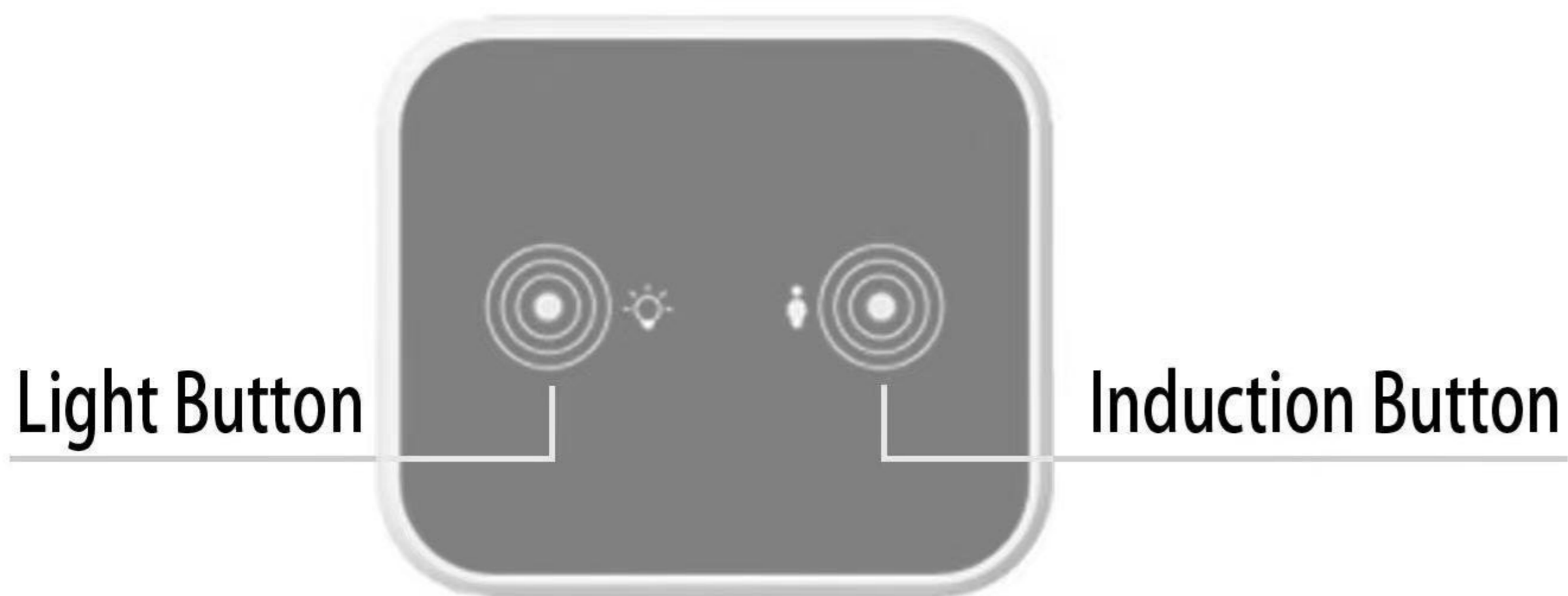
User's Guide

Thank you for purchasing this product. To use this product, please plug it into a 12V DC power supply. Please use if the product works normally after connecting to power.

Introduction

The box is an intelligent controller with 2 touch buttons. It can turn ON/OFF the light, change light colors, and adjust the light luminance.

Product Show



ATTENTION PLEASE

1. If there is no touch response suddenly, Re-plug the power to reset the touch static electricity.
2. If bubbles appear on the panel, remove the protective film.

Operation



This touch button is used to turn on/off, change colors, and adjust brightness.

A. Short touch -> lighting on -> short touch -> change light color -> short touch -> change light color -> short touch -> lighting off. B. Long touch -> adjust the luminance



This touch button is used to turn on/off the induction function.

A. Short touch to turn on the induction function. It can auto-turn on the light when people are close to the controller in 1 meters. It can auto power off the light when the body is far away from the controller after 30 seconds.

B. Long touch to turn off the induction function.

C. Note: When you touch the light button to change the light modes, the induction function will automatically turn off. It is best to turn on this function after selecting the light color and adjusting the brightness you want.