

INSTRUCTION MANUAL

CONTENTS

01	WARNING	Pg 01
02	SAFETY INFORMATION	Pg 01
03	ASSEMBLY PARTS AND TOOL	Pg 02
04	ASSEMBLY INSTRUCTIONS	Pg 03
05	ADJUSTMENT INSTRUCTIONS	Pg 05
06	LIMITED WARRANTY	Pg 07

WARNING

 Please read the instructions carefully and follow the assembly steps.

To ensure proper assembly, please follow all steps and use all parts provided. Not following this warning may result in serious injury to you or others.

To prevent misalignments, keep the screws loose and do not tighten them until they are all in their correct positions.

Avoid overtightening or forcing the screws, as this could cause them to break, strip, or damage the threads of the holes.

Using the wrong size of screws for a particular part could cause damage to the screw or the part.

Please lubricate all moving parts regularly and tighten all bolts and screws every 6 months, or as needed.

SAFETY INFORMATION

WEIGHT CAPACITY FOR SEATING: 300LBS



Sit in the center of the chair with your back against the backrest



Do not sit at the front edge of the chair



Do not stand on the chair



Do not use the chair with more than one person



Do not push the chair around when a person is sitting in it



Do not push down on the backrest when a person is reclined



Do not place all your weight on the backrest only

ASSEMBLY PARTS AND TOOL

BEFORE YOU GET STARTED, A FEW POINTERS:



Having a friend to help makes assembly extra-easy



Please use the included wrench instead of an ELECTRIC HAND DRILL in case of damage to the chair leg.

A



Back Cushion *1

B



Seat Cushion *1

C



Arm *2

D



Caster *5

E



Gas Lift *1

F



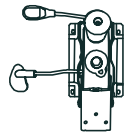
Gas Lift Cover *1

G



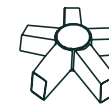
Star Base Cover *1

H



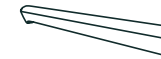
Seat Plate *1

I



Star Base *1

J



Base Leg *5

K



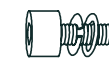
M6*30mm Bolt *4

L



M6*16mm Bolt *5

M



M8*20mm Bolt *3

N



Allen Wrench *1

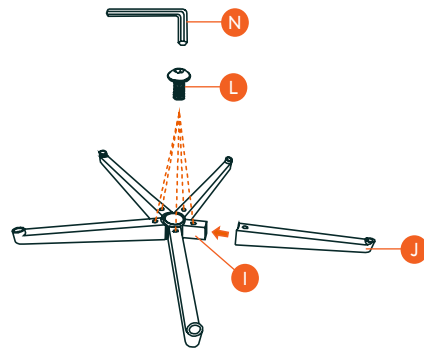
PLEASE MAKE SURE ALL THE PARTS ARE INCLUDED.

MISSING PARTS? support@colamyhome.com

ASSEMBLY INSTRUCTIONS

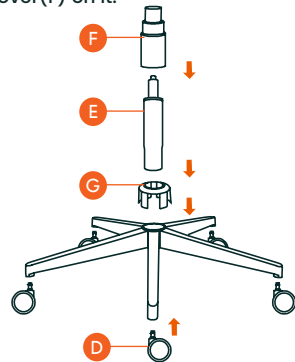
Step 1

Connect Star Base(I) and FIVE Base Legs(J) with Five M6*16mm Bolts(L), using the Allen Wrench(N).



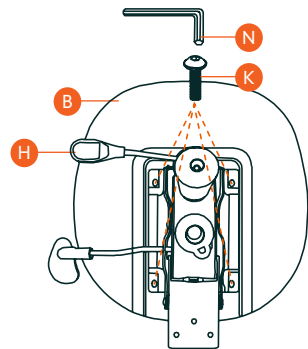
Step 2

Turn the finished Star Base upside down, and press the Casters(D) into the holes at the end of each base leg, then put the Star Base Cover(G) into the center of the Star Base. And insert the Gas Lift(E) into the center hole of the Star Base, then put the Gas Lift Cover(F) on it.



Step 3

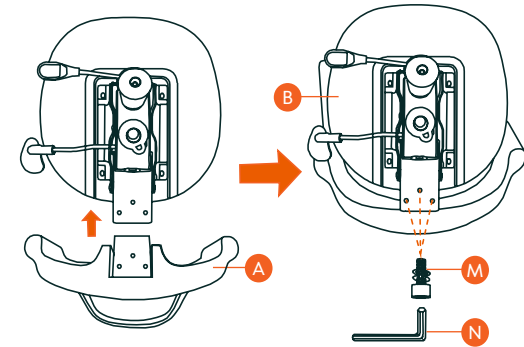
Align the Seat Plate(H) over the pre-drilled holes underneath the Seat Cushion(B), make sure that the front of the Seat Plate is facing the front of the Seat Cushion. Attach the Seat Plate to the Seat Cushion using FOUR M6*30mm Bolts(K), tighten all the bolts with the Allen Wrench(N), being careful not to miss-thread the bolts or damaged the Seat.



ASSEMBLY INSTRUCTIONS

Step 4

Connect the Seat Cushion(B) and Back Cushion(A) with THREE M8*20mm Bolts(M), using the Allen Wrench(N).



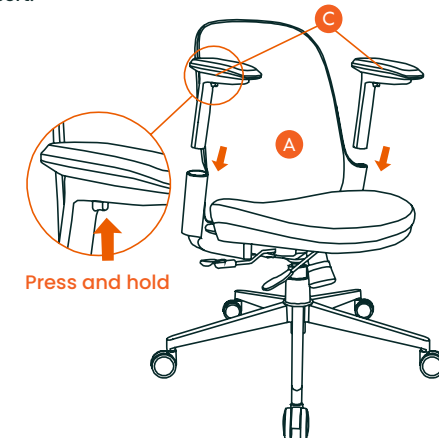
Step 5

Push the chair down onto the Gas Lift firmly until the connection is secure.



Step 6

Insert Arms(C) to the Back Cushion(A), please press and hold the handle before insert.



ADJUSTMENT INSTRUCTIONS

Seat Height Adjustment: Paddle-shaped lever on the right back side while seated



To raise:

While taking your weight off the chair, lift the lever up.



To lower:

While seated, lift the lever up.

- NOTE: Please make sure that your feet rest flat on the floor to get a proper height.

Seat Depth Adjustment: Paddle-shaped lever on the right front side while seated



To unlock adjustment:

While seated, lift the lever up.

To lockdown adjustment:

While seated, release the lever.

3D Arm Adjustment: The button under the armrest and front of each armrest



To raise or lower the armrest:

While seated, press the button to unlock and grasp the base of the arm support to raise or lower them to the desired height. Release the button to lock.



To move armrests forward and backward:

Grasp the end of the arm pad and slide them forwards or backward.



To swivel the armrest left or right at a limited angle:

While seated, hold the armrest panel with your hand and pivot them to the left and right

ADJUSTMENT INSTRUCTIONS

Tilt Lock Adjustment: The paddle-shaped lever on the right back side while seated (Three positions)



To unlock the backrest:

While seated, pull out to unlock the tilt



To lockdown:

While seated, push in to lock the tilt at upright position.

- NOTE: Please weigh your back on the backrest maximally if the backrest doesn't stay upright when it's unlocked.

Rock Tension Adjustment: The knob under the seat



To increase tension:

While seated, turn knob forward (toward + sign).



To decrease tension:

While seated, turn knob backward (toward - sign).

Lumbar Support Adjustment: On the back side of the backrest



To change lumbar support height:

While seated, using equal pressure on each end of the lumbar support, raise or lower it to the desired position within adjustment track.

LIMITED WARRANTY

promises to repair or replace any chair that is found to be defective in material or workmanship within one year from the date of original purchase so long as you, the original purchaser, still owns it. This is your sole and exclusive remedy. This warranty is subject to the provisions below.

EXCLUSIONS

This warranty does not apply and no other warranty applies to:

- Normal wear and tear, which are to be expected over the course of ownership.
- Misuse, abuse, or excessive use of the product.
- Modifications or attachments to the product that are not approved by COLAMY.
- Products that were not installed, used, or maintained in accordance with product instructions and warnings.
- Products used for rental purposes or unauthorized retail activities.

Seating Usage: Normal use for seating is identified as the equivalent of a single shift, forty- (40) hour workweek. To the extent that a seating product is used in a manner exceeding this, the applicable warranty period will be reduced in a pro-rata manner.

LIMITED WARRANTY

If the product is faulty when you receive it, please contact us and we will help you out.

We reserve the right to give a partial refund in cases when the product(s) is not in an unused condition, is damaged or has missing parts, not due to our error.
