

ASSEMBLY INSTRUCTIONS



DINING TABLE

ITEM: (B1-B3)

ASSEMBLY INSTRUCTIONS

ASSEMBLY TIPS:

1. Remove hardware from box and sort by size.
2. Please check to see that all hardware and parts are present prior to start of assembly.
3. Please follow attached instructions in the same sequence as numbered to assure fast & easy assembly.



WARNING!

1. Don't attempt to repair or modify parts that are broken or defective. Please contact the store immediately.
2. This product is for home use only and not intended for commercial establishments.



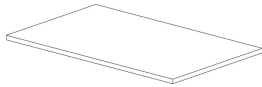
ASSEMBLY TIME

30MINUTES

PARTS IDENTIFICATION

B1 (BOX 1)

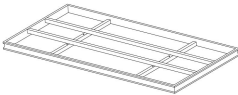
A TOP MARBLE



1PC

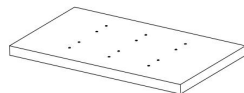
B2 (BOX 2)

B TOP FRAME



1PC

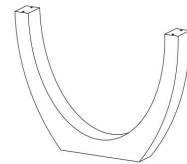
C BASE



1PC

B3 (BOX 3)

D LEG FRAME



2PCS

NOTE:

Phillips head screw driver is required in the assembly process; however, manufacturer does not provide this item.

ITEM: (B1-B3)

ASSEMBLY INSTRUCTIONS

ASSEMBLY TIPS:

1. Remove hardware from box and sort by size.
2. Please check to see that all hardware and parts are present prior to start of assembly.
3. Please follow attached instructions in the same sequence as numbered to assure fast & easy assembly.



WARNING!

1. Don't attempt to repair or modify parts that are broken or defective. Please contact the store immediately.
2. This product is for home use only and not intended for commercial establishments.

HARDWARE IDENTIFICATION

1 ALLEN WRENCH		1PC
2 SHORT BOLT (M8*50) mm		20PCS
3 FLAT WASHER D20*2		20PCS
4 FRAME REST		8PCS

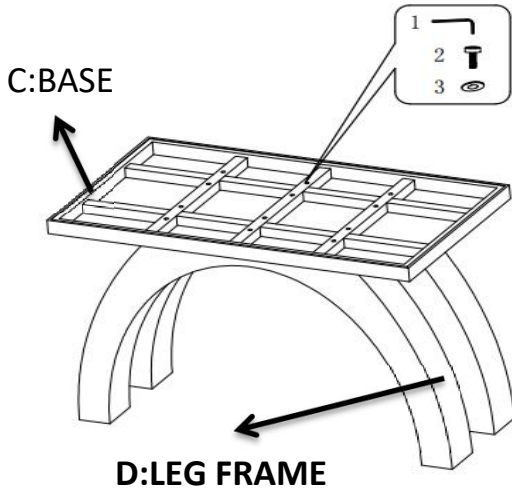
NOTE:

Phillips head screw driver is required in the assembly process; however, manufacturer does not provide this item.

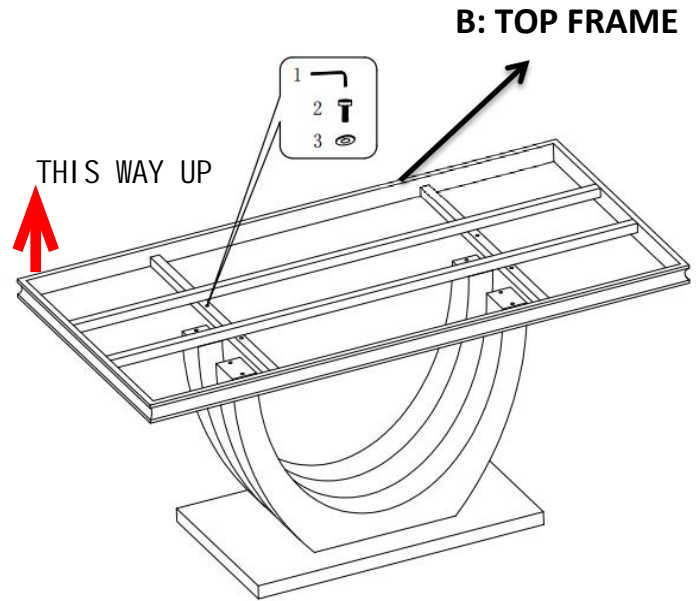
ITEM: (B1-B3)

ASSEMBLY INSTRUCTIONS

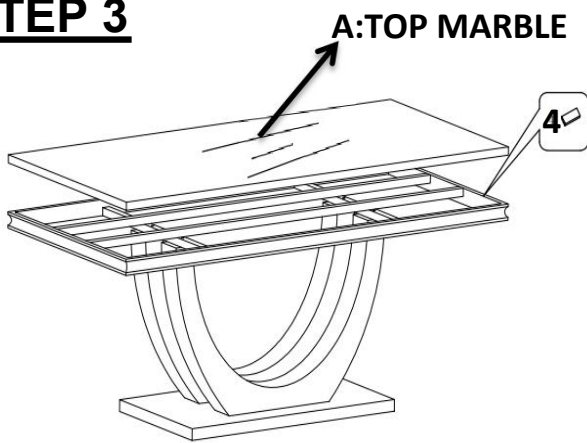
STEP 1



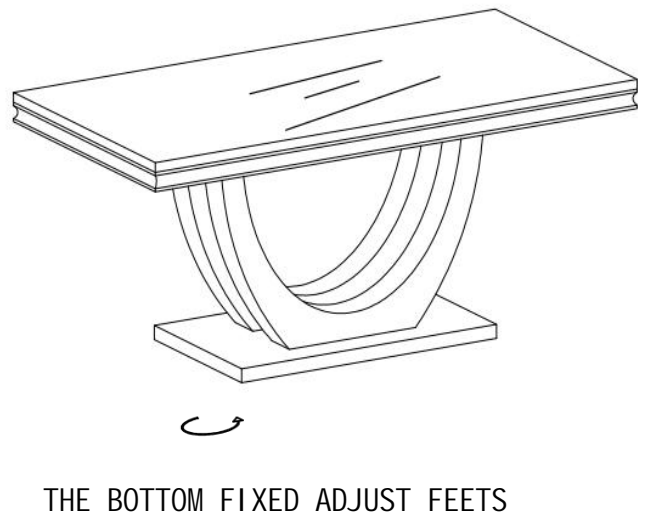
STEP 2



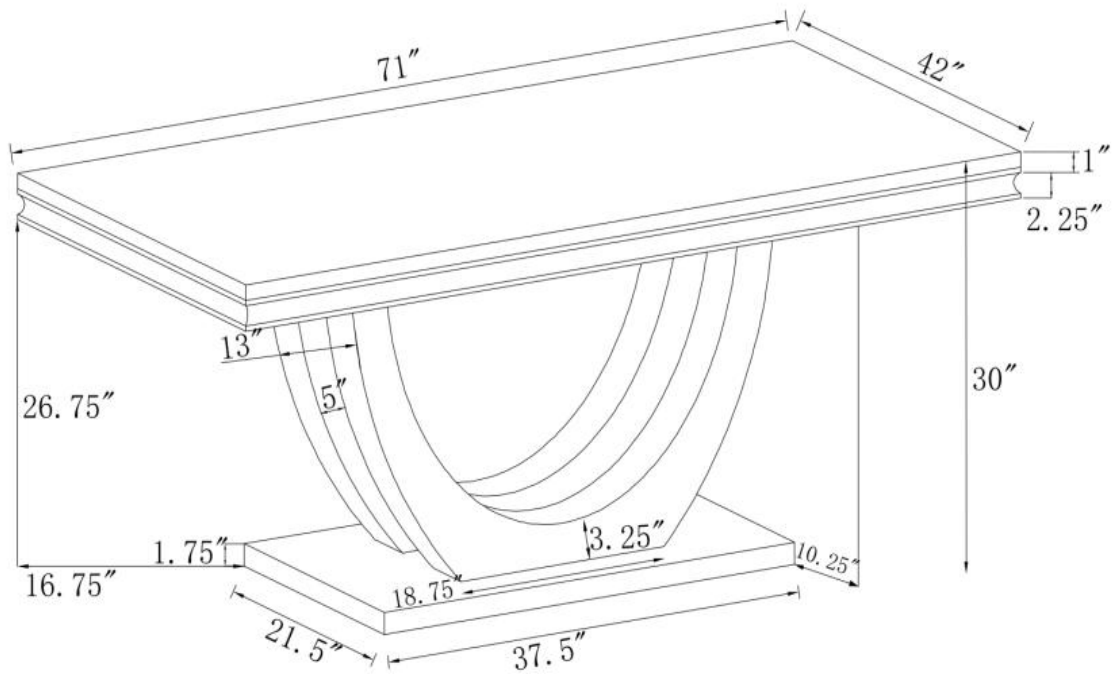
STEP 3



STEP 4



ITEM: (B1-B3)



Note : Dimension tolerance $\pm 5\%$