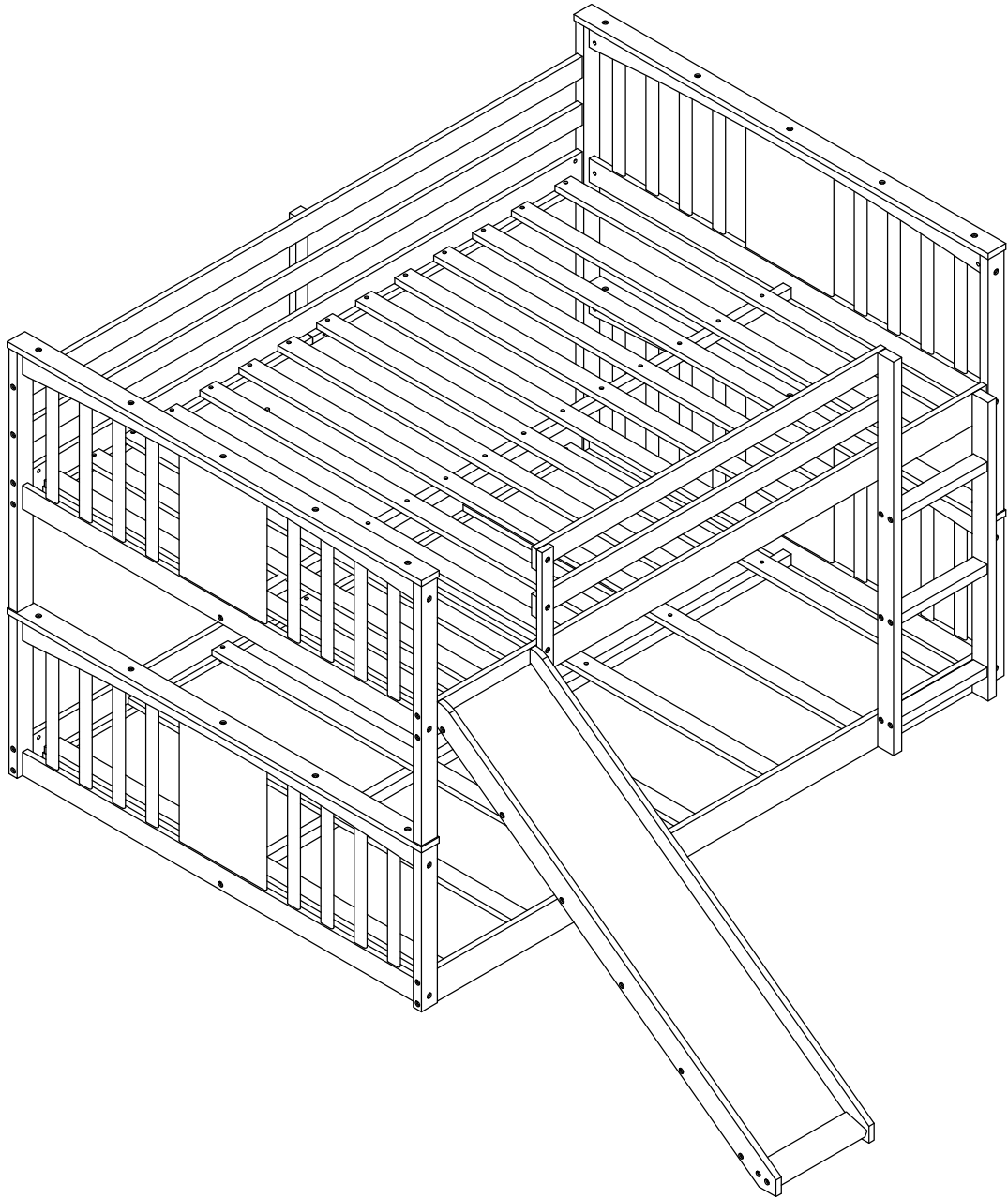


ASSEMBLY INSTRUCTION





SAFETY WARNINGS



1. This bed is designed for use only mattress(es) meeting the following specifications on the upper bunk, and lower bunk:

Upper bunk (bunk bed and tribed included)

Bed Type	Length	Width	Thickness
Full Standard	74"-75"	53"-54"	6" max

Lower bunk

Bed Type	Length	Width	Thickness
Full Standard	74"-75"	53"-54"	8"

2. Replacement parts, including additional guardrails, maybe obtained from any of our dealers.
3. Follow the information on the warnings appearing on the upper bunk bed end structure and on the carton. Do not remove warning label from bed.
4. Always use the recommended size mattresses or mattress supports, or both, to help prevent the likelihood of entrapment or falls.
5. Surface of the mattress must be at least 5" . (127 mm) below the upper edge of guardrails.
6. Do not allow children under 6 years of age to use the upper bunk.
7. Periodically check and ensure that the guardrail, ladder, and other components are in their proper position, free from damage, and that all connectors are tight.
8. Do not allow horseplay on or under the bed and prohibit jumping on the bed
9. Always use the ladder for entering and leaving the upper bunk.
10. Do not use substitute parts. Contact the manufacturer or dealer for replacement parts.
11. Use of a night light may provided added safety precaution for a child using the upper bunk.
12. Always use guardrails on both long sides of the upper bunk. If the bunk bed will be placed next to the wall, the guardrail that runs the full length of the bed should be placed against the wall to prevent entrapment between the bed and wall.
13. The use of water or sleep flotation mattresses is prohibited.
14. STRANGULATION HAZARD – Never attach or hang items to any part of the bunk bed that are not designed for use with the bed; for example, but not limited to, hook, belts and jump ropes.
15. Keep these instructions for future reference
16. Prohibit more than one person on upper bunk.
17. We recommend assembling your bunk bed on the shipping carton to protect your floor or carpet.
18. Be certain all staples are out of the box before beginning assembly on the shipping carton.

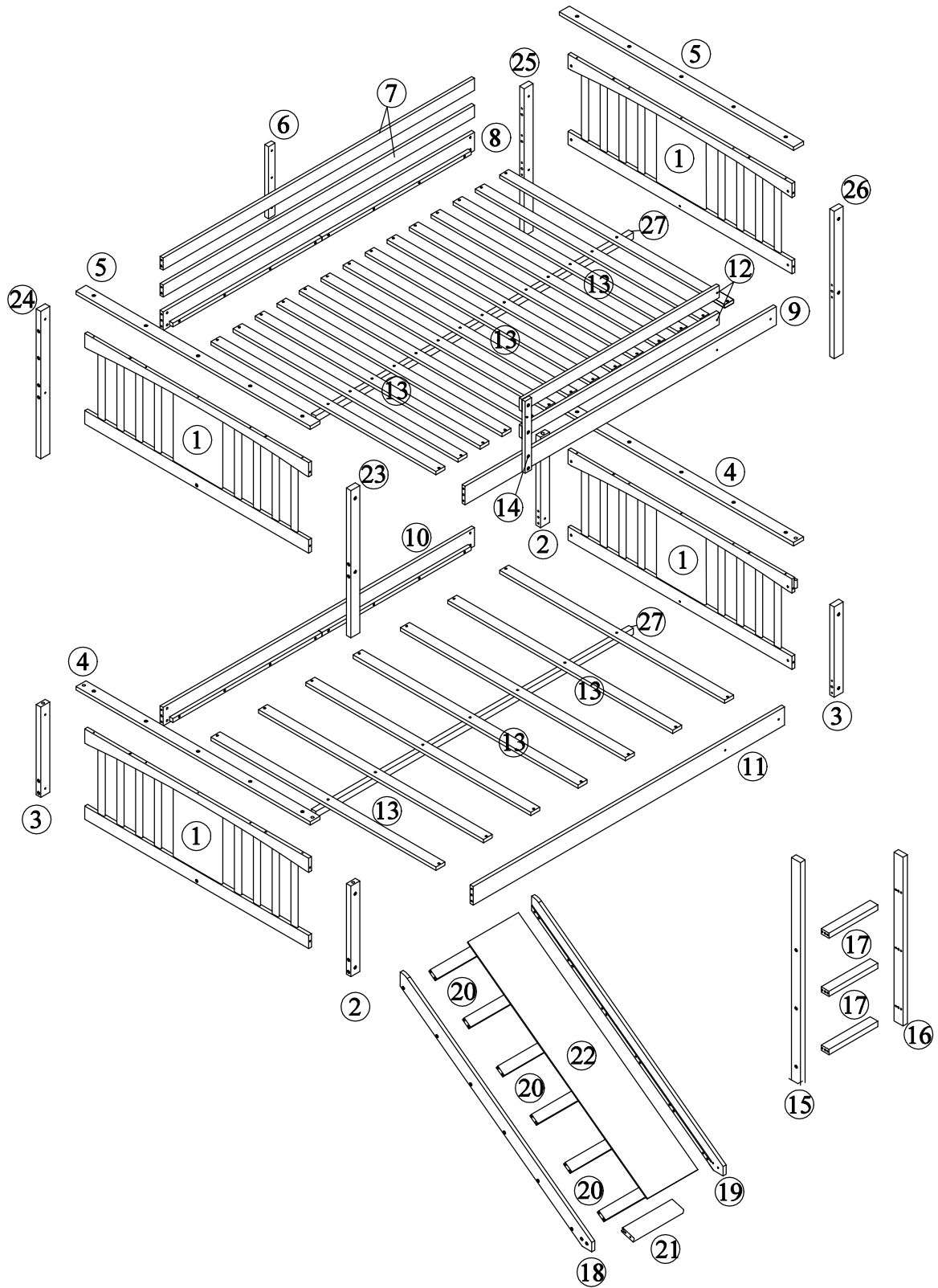


SAFETY WARNINGS



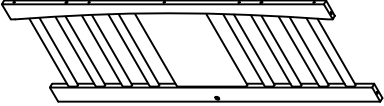

1. **At the beginning :**
 - Tighten all hardware.
 - Check metal parts for rust. If found, sand and repaint using a non-lead-based paint meeting the requirements of 16 CFR 1303.
 - Check all wood members for deterioration and splinters. Sand down splinters and replace deteriorating wood members.
 - Rake and check depth of loose fill protective surfacing materials to prevent compaction and to maintain appropriate depth. Replace as necessary.
2. **Twice a month**
 - Tighten all hardware.
 - Rake and check depth of loose fill protective surfacing materials to prevent compaction and to maintain appropriate depth. Replace as necessary.
3. **Owners shall be responsible for maintaining the legibility of the warning labels.**
4. **Disposal Instructions-**
 - There shall be instructions advising the owner to disassemble and dispose of the playground equipment in such a way that no unreasonable hazards will exist at the time the playground equipment is discarded.
5. **The instructions shall also include the information found in Section 4 of the United States Consumer Product Safety Commission's (USCPSC) Outdoor Home Playground Safety Handbook or specific surfacing guidelines for the product consistent with the USCPSC Handbook. A copy of this section may be found in Appendix X2.**
6. **Observing the following statements and warnings reduces the likelihood of serious or fatal injury.**
7. **Specifying the number and weight of occupants that may safely use the equipment singly or simultaneously,**
8. **Recommending on-site adult supervision for children of all ages,**
9. **Warning the owner to instruct children not to use the equipment in a manner other than intended,**
10. **Warning the owner to instruct children not to get off equipment while it is in motion,**
11. **Warning the owner not to allow children to wear inappropriate items, such as but not limited to, loose fitting clothing, hood and neck drawstrings, scarves, cord-connected items, capes and ponchos. These items can cause death by strangulation.**
12. **Warning the owner to instruct children not to climb when the equipment is wet.**
13. **Warning the owner to instruct children not to attach items to the playground equipment that are not specifically designed for use with the equipment, such as, but not limited to, jump ropes, clothesline, pet leashes, cables and chain as they may cause a strangulation hazard**
14. **Warning the owner to instruct children to remove their bike or other sports helmet before playing on the playground equipment.**
15. **Warning the owner to dress children with well-fitting and full foot enclosing footwear. Examples of inappropriate footwear are clogs, flip flops, and sandals.**
16. **Place the equipment on level ground, not less than 6 ft (1.8 m) from any structure or obstruction such as a fence, garage, house, overhanging branches, laundry lines, or electrical wires**
17. **Do not install home playground equipment over concrete, asphalt, packed earth, grass, carpet, or any other hard surface. A fall onto a hard surface can result in serious injury or death to the equipment user**
18. **To prevent serious injury, cautionary statements shall be included which warn that children must not use the equipment until properly installed.**

Detail View - FULL BED + SLIDE

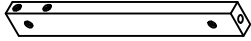
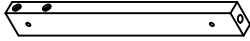


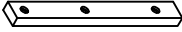

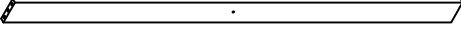
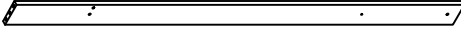
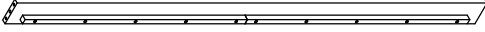

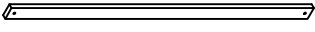



Identifying the Hardware-Identify the hardware using the illustrations below.

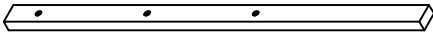
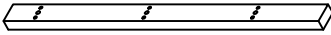
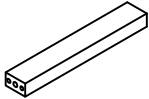
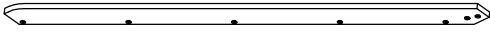


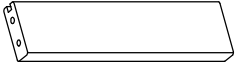

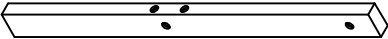
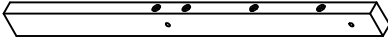
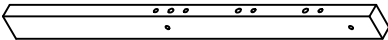
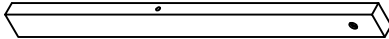
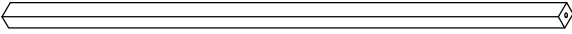
Part List

<p>1</p>  <p>Headboard - 4pcs</p>	<p>13</p>  <p>Bed board - 21pcs</p>
--	---

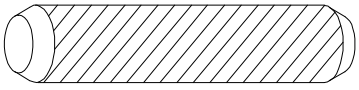
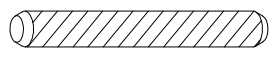

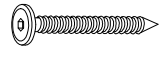
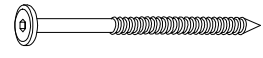
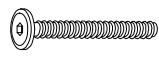

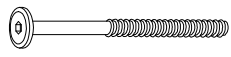
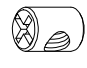




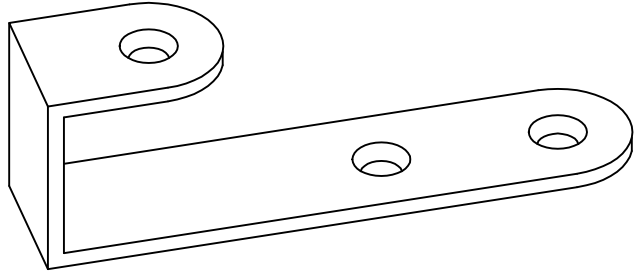
Part List

<p>2</p>  <p>Left front + Right rear bed column - 2pcs</p>	<p>3</p>  <p>Right front + Left rear bed column - 2pcs</p>
<p>4</p>  <p>Headboard cap -2pcs</p>	<p>5</p>  <p>Headboard cap -2pcs</p>
<p>6</p>  <p>Support timber -1pc</p>	<p>7</p>  <p>Rear guard rail - 2pcs</p>
<p>8</p>  <p>Bed side plate - 1pc</p>	<p>9</p>  <p>Bed side plate - 1pc</p>
<p>10</p>  <p>Bed side plate - 1pc</p>	<p>11</p>  <p>Bed side plate - 1pc</p>
<p>12</p>  <p>Front guard rail - 2pcs</p>	<p>14</p>  <p>Guard rails support - 1pc</p>

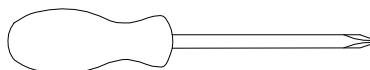
Part List

<p>15</p>  <p>Bed ladder column - 1pc</p>	<p>16</p>  <p>Bed ladder column - 1pc</p>
<p>17</p>  <p>Ladder step - 3pcs</p>	<p>18</p>  <p>Slide column - 1pc</p>
<p>19</p>  <p>Slide column - 1pc</p>	<p>20</p>  <p>Slide support - 6pcs</p>
<p>21</p>  <p>Slide bottom panel - 1pc</p>	<p>22</p>  <p>Slide panel - 1pc</p>
<p>23</p>  <p>Left front bed column - 1pc</p>	<p>24</p>  <p>Left rear bed column - 1pc</p>
<p>25</p>  <p>Right rear bed column - 1pc</p>	<p>26</p>  <p>Right front bed column - 1pc</p>
<p>27</p>  <p>Reinforcement bar - 2pcs</p>	


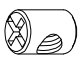
Hardware List

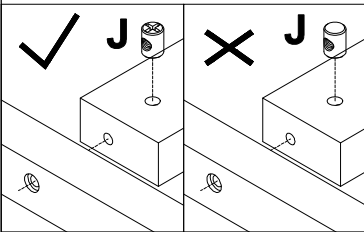
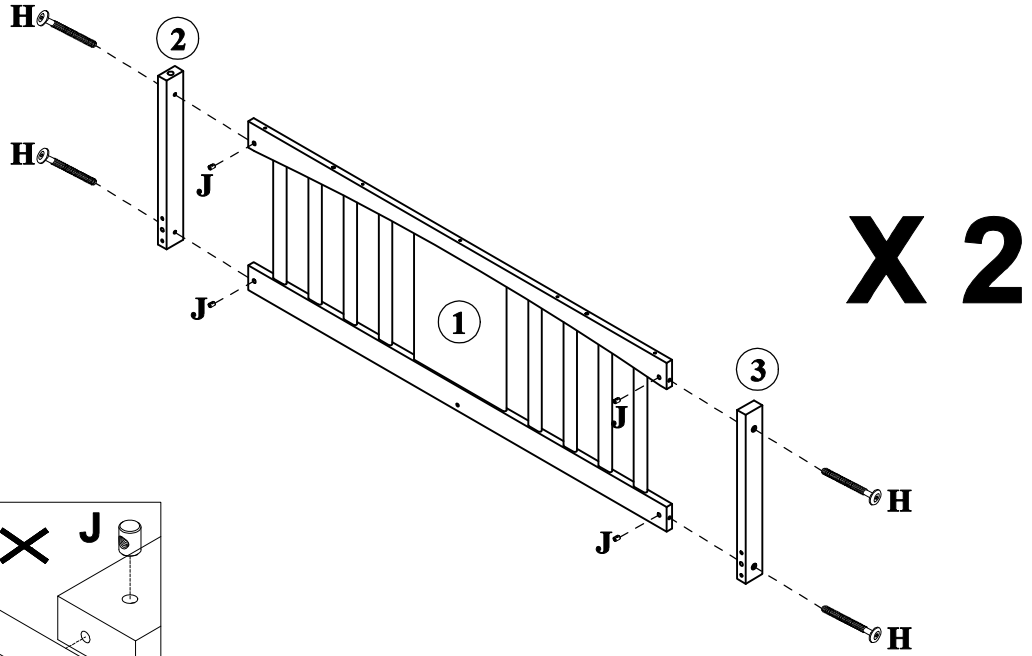
<p>A</p>  <p>$\varnothing 10 \times 40 \text{mm}$</p>	<p>B</p>  <p>$\varnothing 14 \times 100 \text{mm}$</p>	<p>C</p>  <p>$\varnothing 13 \times \varnothing 6.2 \times 27 \text{mm}$</p>
<p>Wood dowel(44pcs)</p>		
<p>D</p>  <p>$\varnothing 13 \times \varnothing 6.2 \times 32 \text{mm}$</p>	<p>F</p>  <p>$\varnothing 13 \times \varnothing 6.2 \times 80 \text{mm}$</p>	<p>G</p>  <p>$\varnothing 13 \times 1/4" \times 30 \text{mm}$</p>
<p>Hex-Head screw(30pcs)</p>		
<p>H</p>  <p>$\varnothing 13 \times 1/4" \times 57 \text{mm}$</p>	<p>I</p>  <p>$\varnothing 13 \times 1/4" \times 100 \text{mm}$</p>	<p>J</p>  <p>$\varnothing 1/4 \times \varnothing 10 \times 12.5 \text{mm}$</p>
<p>Hex-Head bolts(16pcs)</p>		
<p>K</p>  <p>$\varnothing 8 \times \varnothing 4 \times 30 \text{mm}$</p>	<p>L</p>  <p>4mm</p>	<p>N</p>  <p>$\varnothing 7 \times \varnothing 3.5 \times 18 \text{mm}$</p>
<p>Round head screw(63pcs)</p>		
<p>E</p>  <p>$\varnothing 13 \times \varnothing 6.2 \times 50 \text{mm}$</p>		
<p>Hex-Head screw(22pcs)</p>		
<p>M</p>  <p>$\varnothing 75 \times 18 \times 24 \text{mm}$</p> <p>Stair hook(2pcs)</p>		

ASSEMBLY TOOLS REQUIRED (NOT INCLUDED)

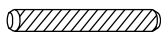




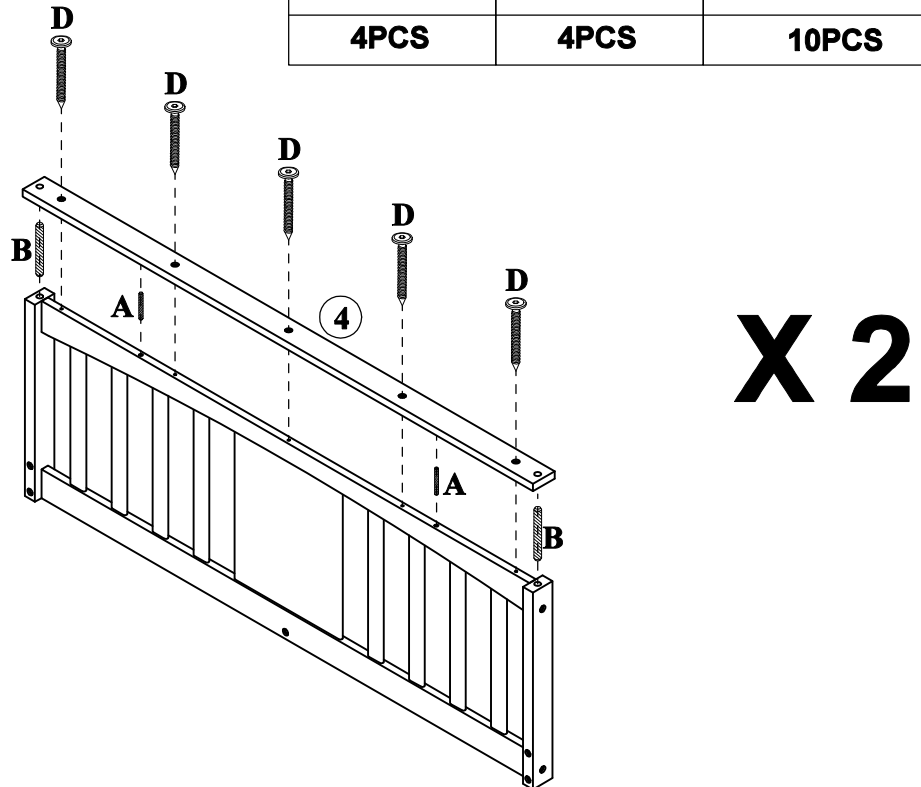
STEP: 1

H	J
	
8PCS	8PCS

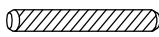
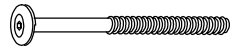




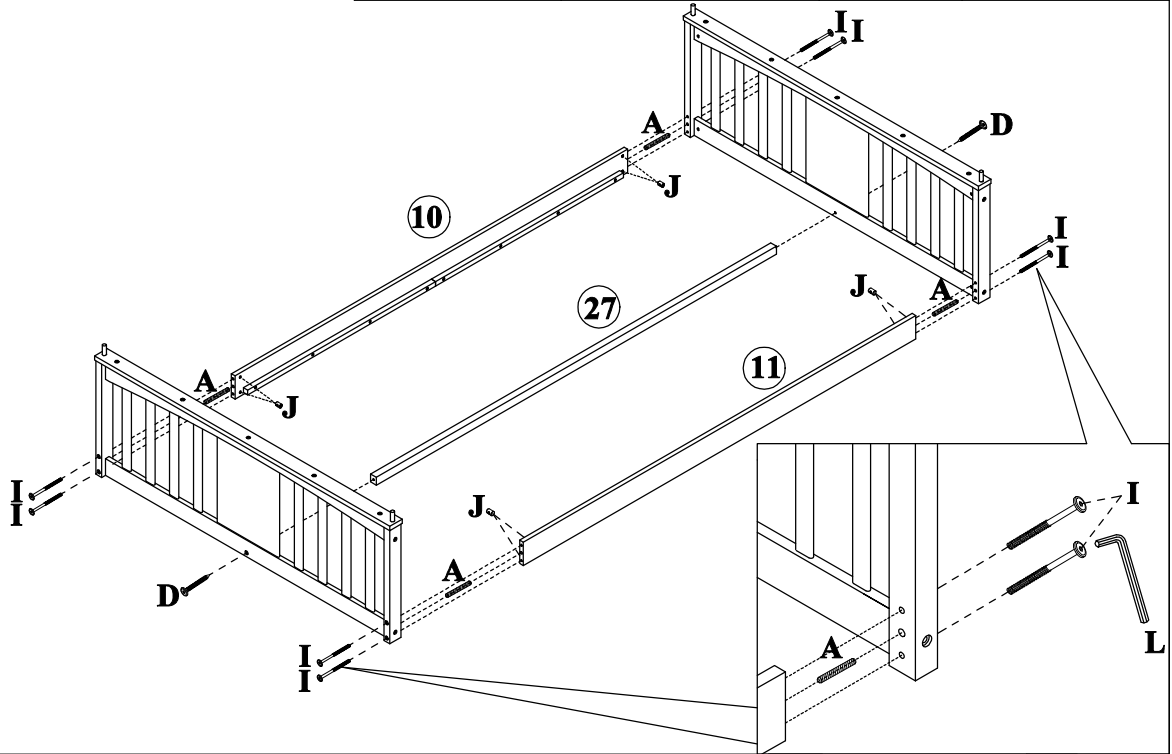
STEP: 2

A	B	D
		
4PCS	4PCS	10PCS





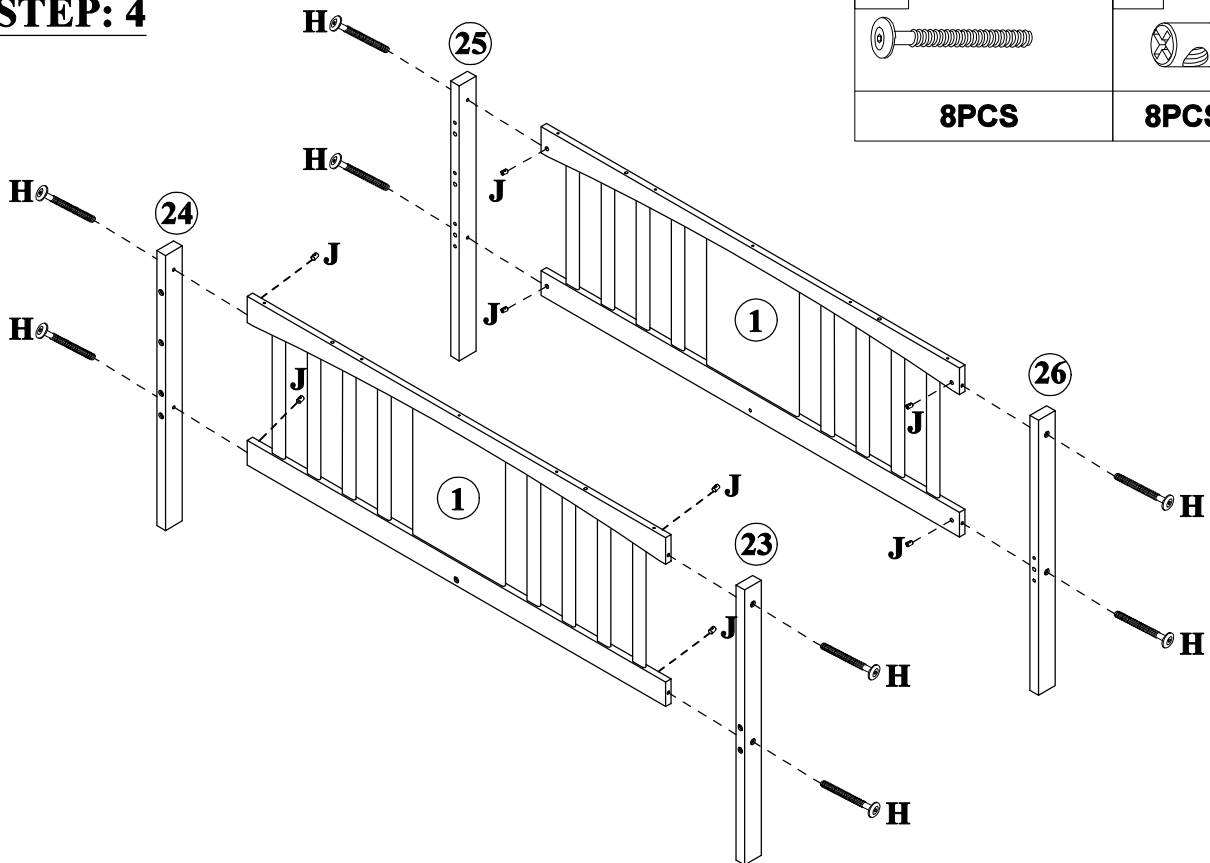
STEP: 3

A 	I 	J 	D 
4PCS	8PCS	8PCS	2PCS

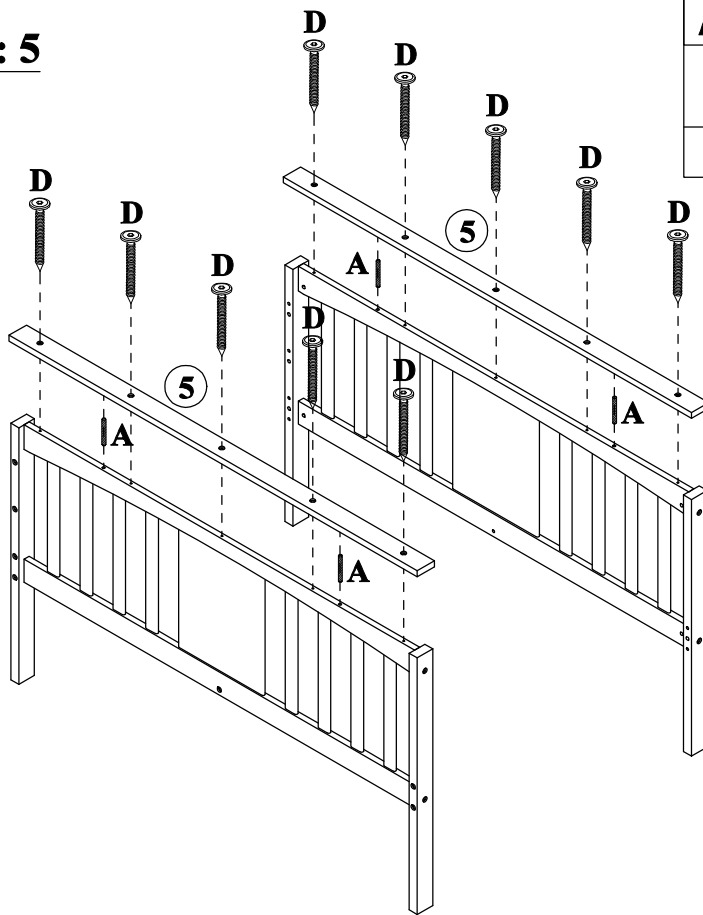


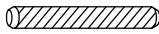

STEP: 4

H 	J 
8PCS	8PCS

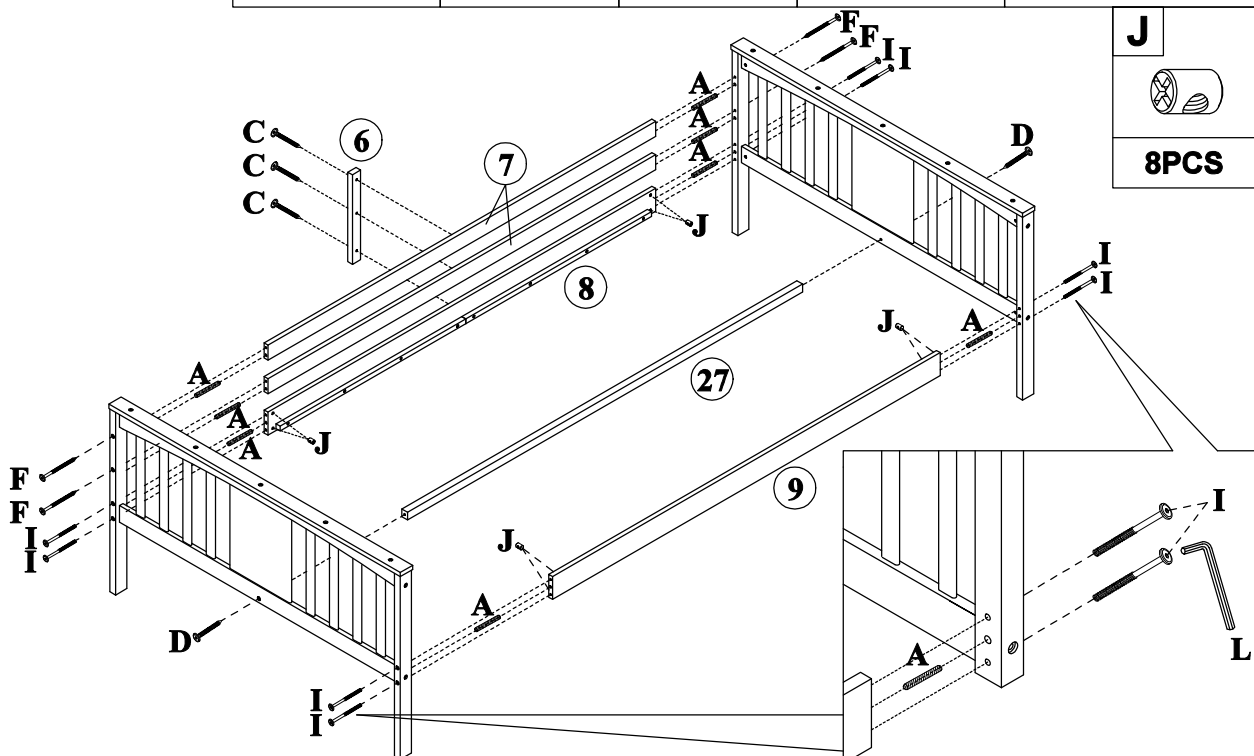


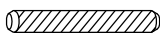



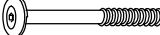
STEP: 5




A	D
	
4PCS	10PCS

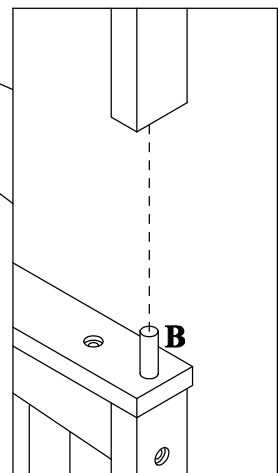
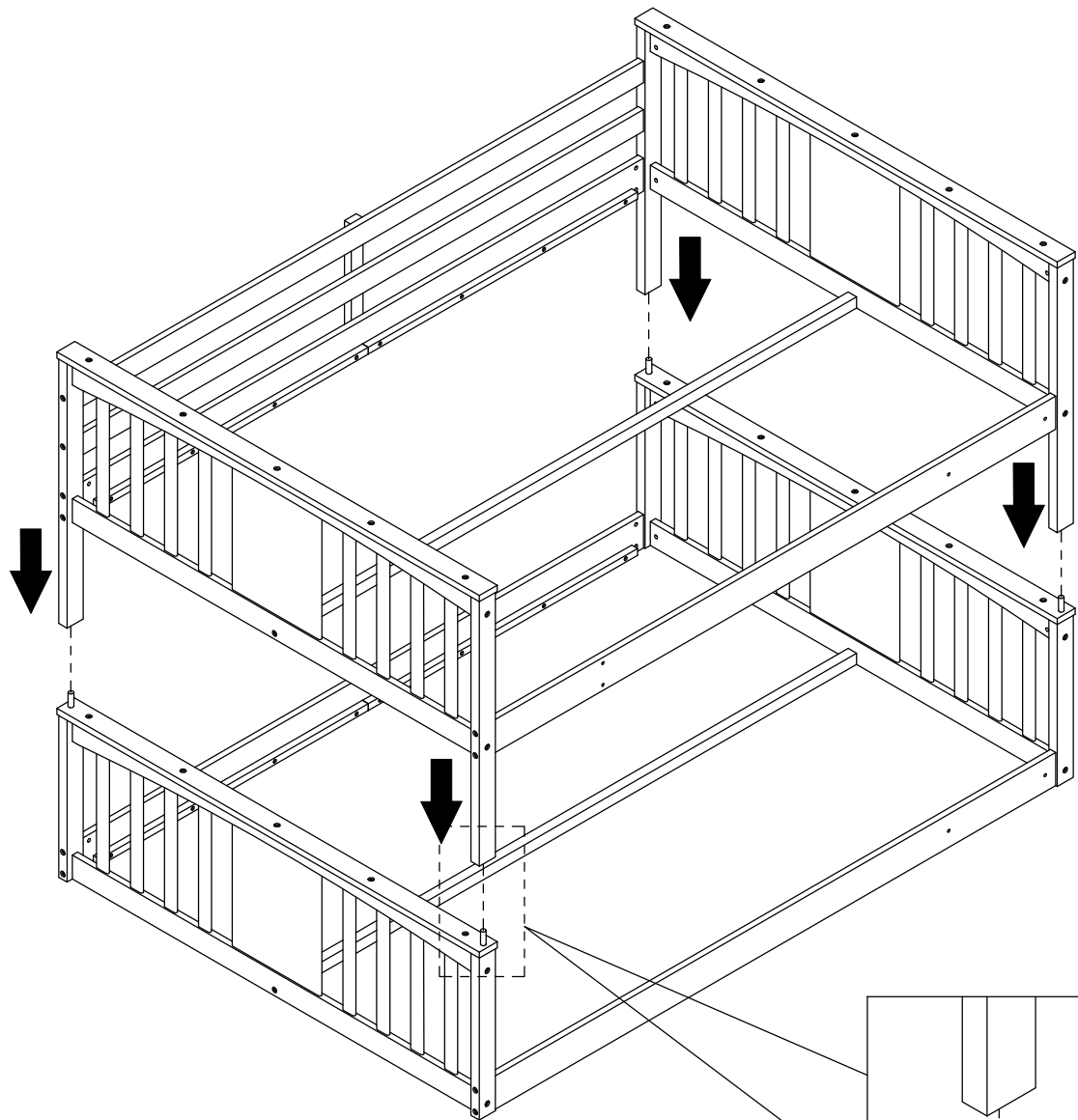
STEP: 6




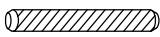
A	C	D	F	I
				
8PCS	3PCS	2PCS	4PCS	8PCS

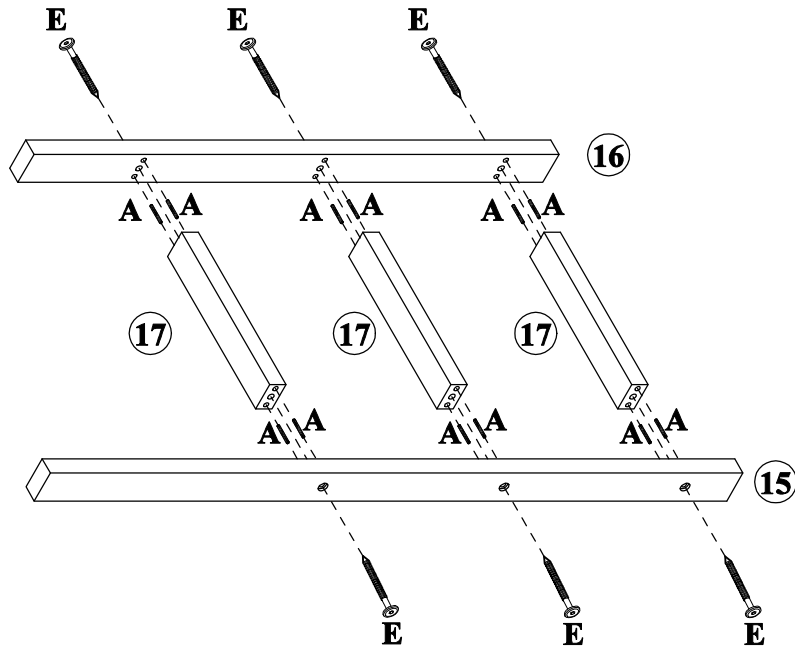
J

8PCS

STEP: 7




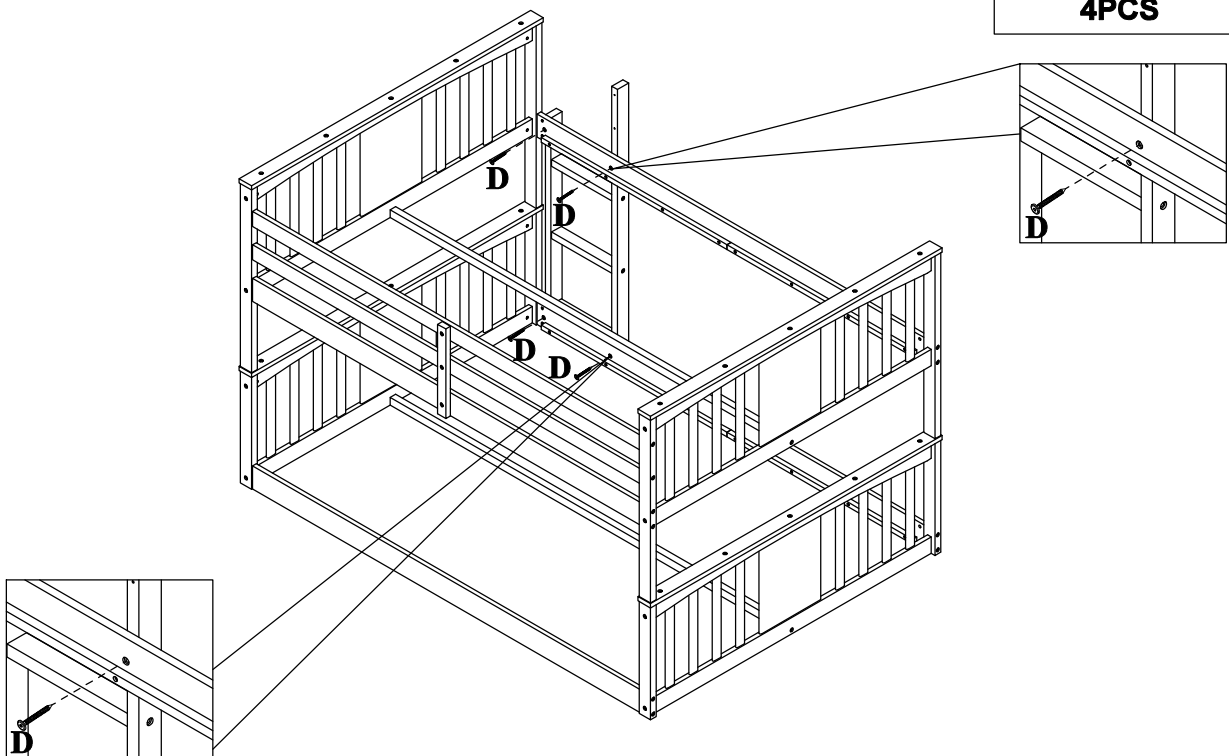
STEP: 8

E	A
	
6PCS	12PCS






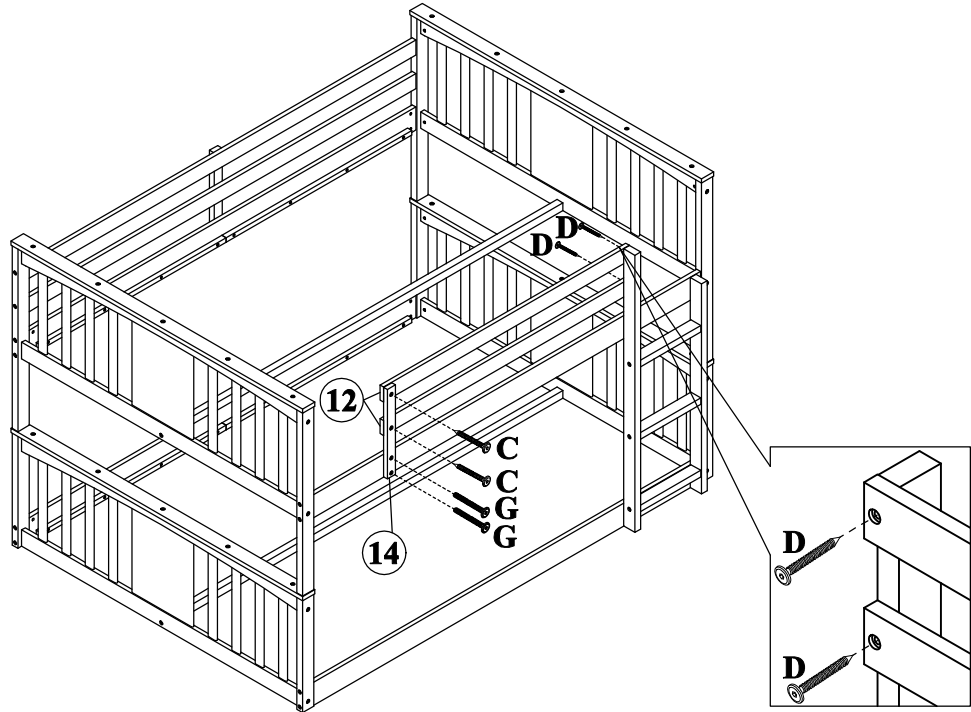
STEP: 9

D

4PCS

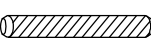


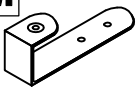


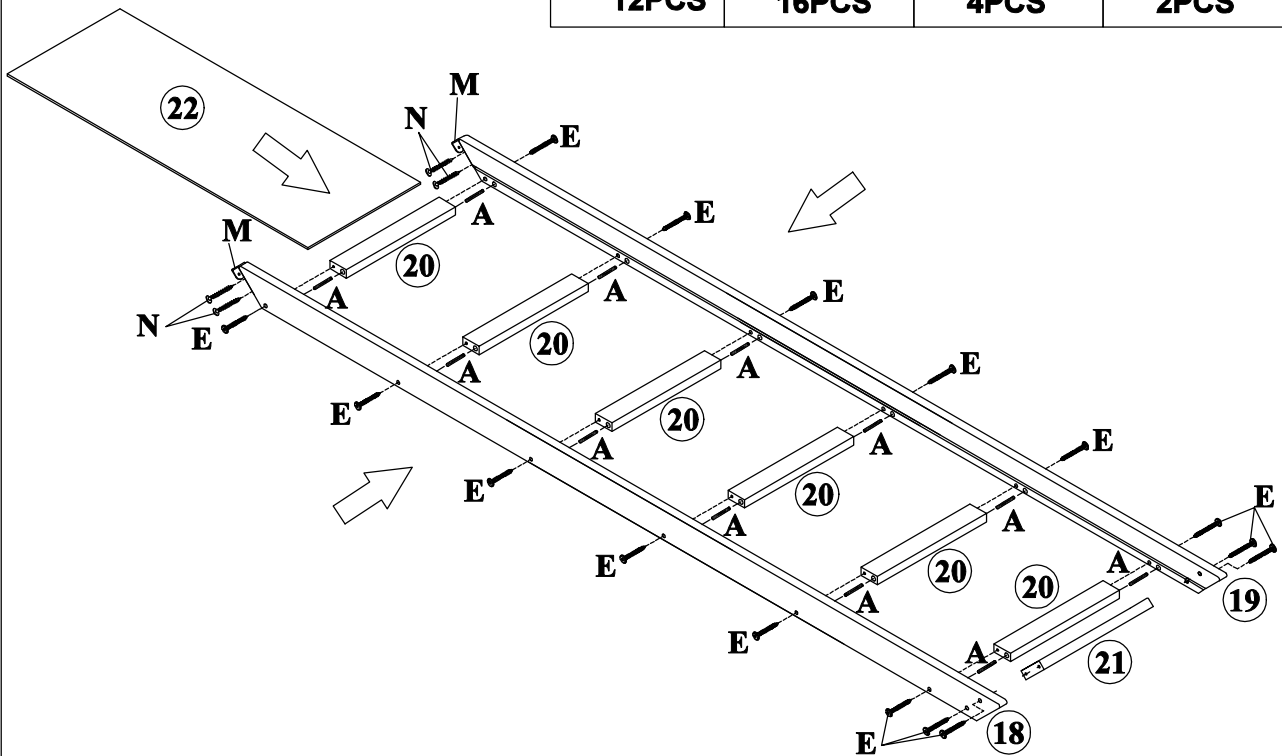
STEP: 10

C	G	D
		
2PCS	2PCS	2PCS





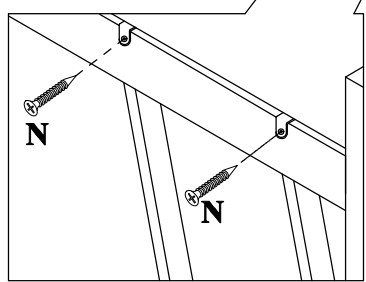
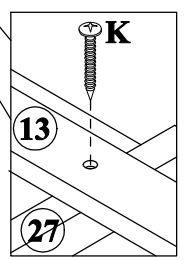
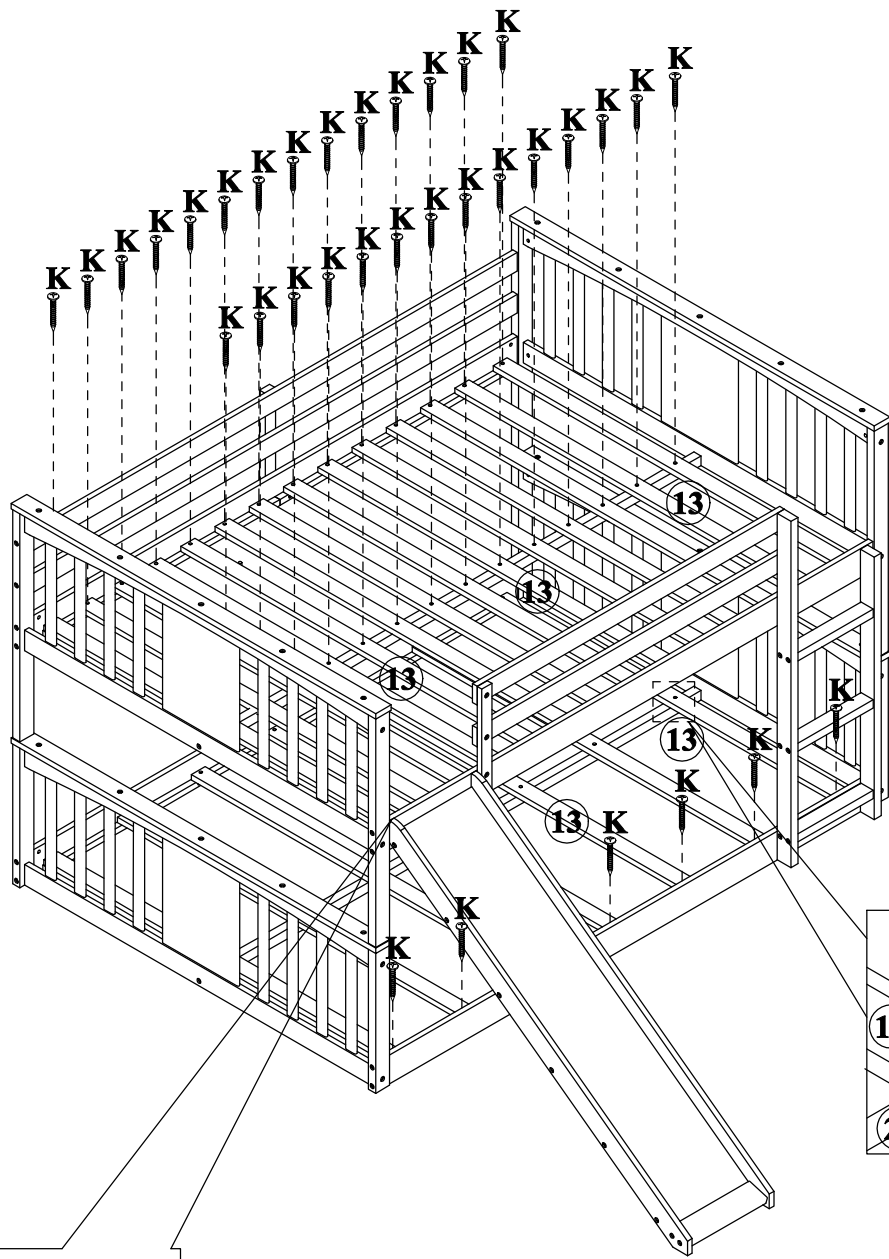
STEP: 11

A	E	N	M
			
12PCS	16PCS	4PCS	2PCS



STEP: 12

K	N
	
63PCS	2PCS



STEP: 13

