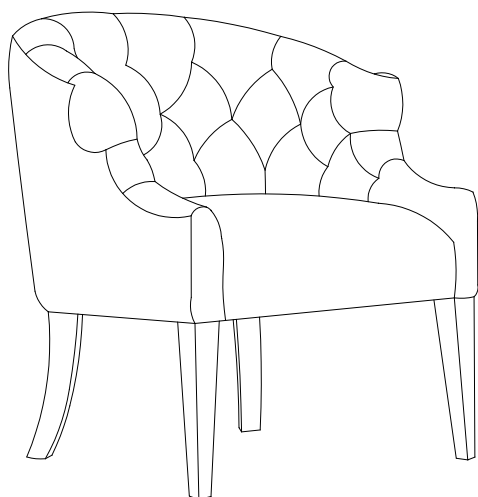






CHAIR

Thank you for purchasing the **Chair**. Before you start, here are some helpful advice:

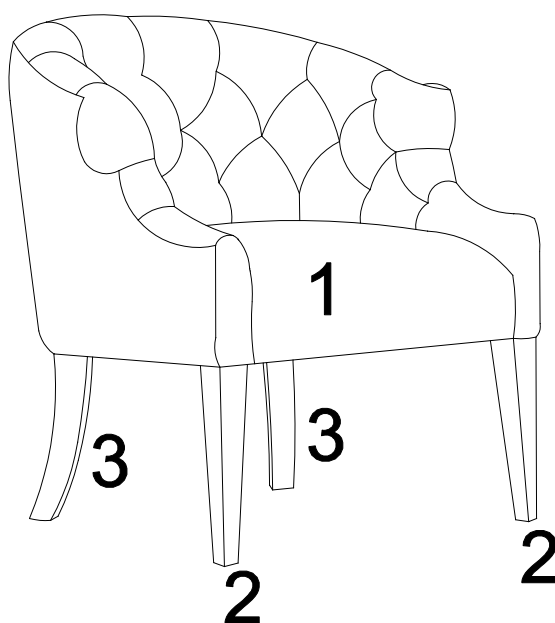
1. We suggest you spend a short time reading through this leaflet and then follow the simple step-by-step instructions.
2. Owing to the size and weight of the Chair, we recommend that it is assembled by two adults, on a carpeted or padded area, in the room that it is intended for. Approximate assembly time: 30 minutes.
3. Please do not use any tools other than those provided or recommended in these instructions.
4. Please do not throw away any of the packaging or the instruction until you have checked all the components and hardware and the furniture is fully assembled. Please ensure that the packaging is disposed of in a safe and environmentally friendly way.
5. Assemble all components loosely until advised to tighten. Depending on use, it may be necessary to tighten the components from time to time, so please save the tools that have been provided.
6. Please keep all pieces out of reach of children.



Hardware:

- | | | | |
|----|---|---------------|----|
| A. |  | Bolt M8x70mm | x8 |
| B. |  | Spring Washer | x8 |
| C. |  | Flat Washer | x8 |
| D. |  | Allen Wrench | x1 |

Components:

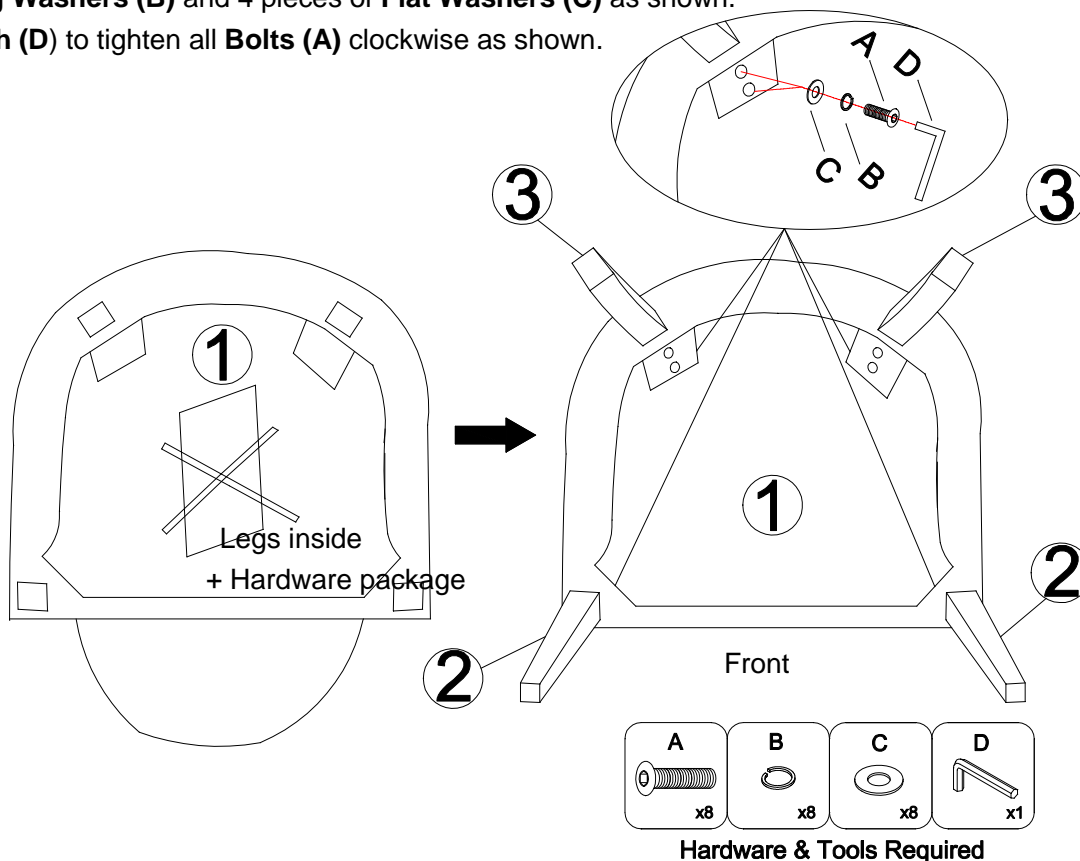


- | | | | | | |
|---------------|----|-----------------------|----|----------------------|----|
| 1. Chair Body | x1 | 2. Straight Front Leg | x2 | 3. Inclined Back Leg | x2 |
|---------------|----|-----------------------|----|----------------------|----|

CHAIR

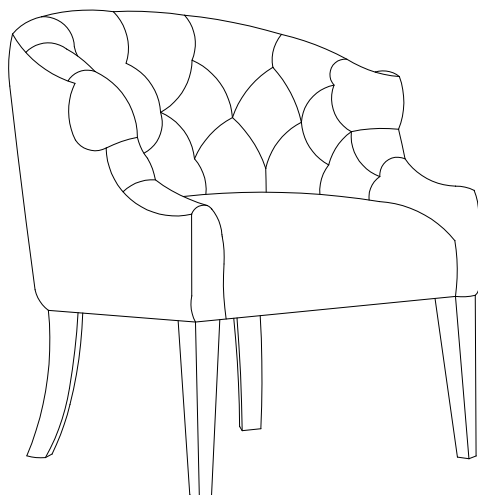
STEP 1:

1. Please put **Chair Body (1)** upside down on a carpeted or padded surface.
2. Open the zipper on the bottom of the **Chair Body (1)** and take out the 2 pieces of **Straight Front Legs (2)** and 2 pieces of **Inclined Back Legs (3)** and hardware package.
3. Attach 2 pieces of **Straight Front Legs (2)** to the front of **Chair Body (1)** by using 4 pieces of **Bolts (A)** with 4 pieces of **Spring Washers (B)** and 4 pieces of **Flat Washers (C)** as shown.
4. Attach 2 pieces of **Inclined Back Legs (3)** to the back of **Chair Body (1)** by using 4 pieces of **Bolts (A)** with 4 pieces of **Spring Washers (B)** and 4 pieces of **Flat Washers (C)** as shown.
5. Use **Allen Wrench (D)** to tighten all **Bolts (A)** clockwise as shown.



STEP 2:

1. Close the zipper on the bottom of **Chair Body (1)**. Carefully turn over the assembled chair.



Assembly is complete. Your Chair is ready to enjoy now!