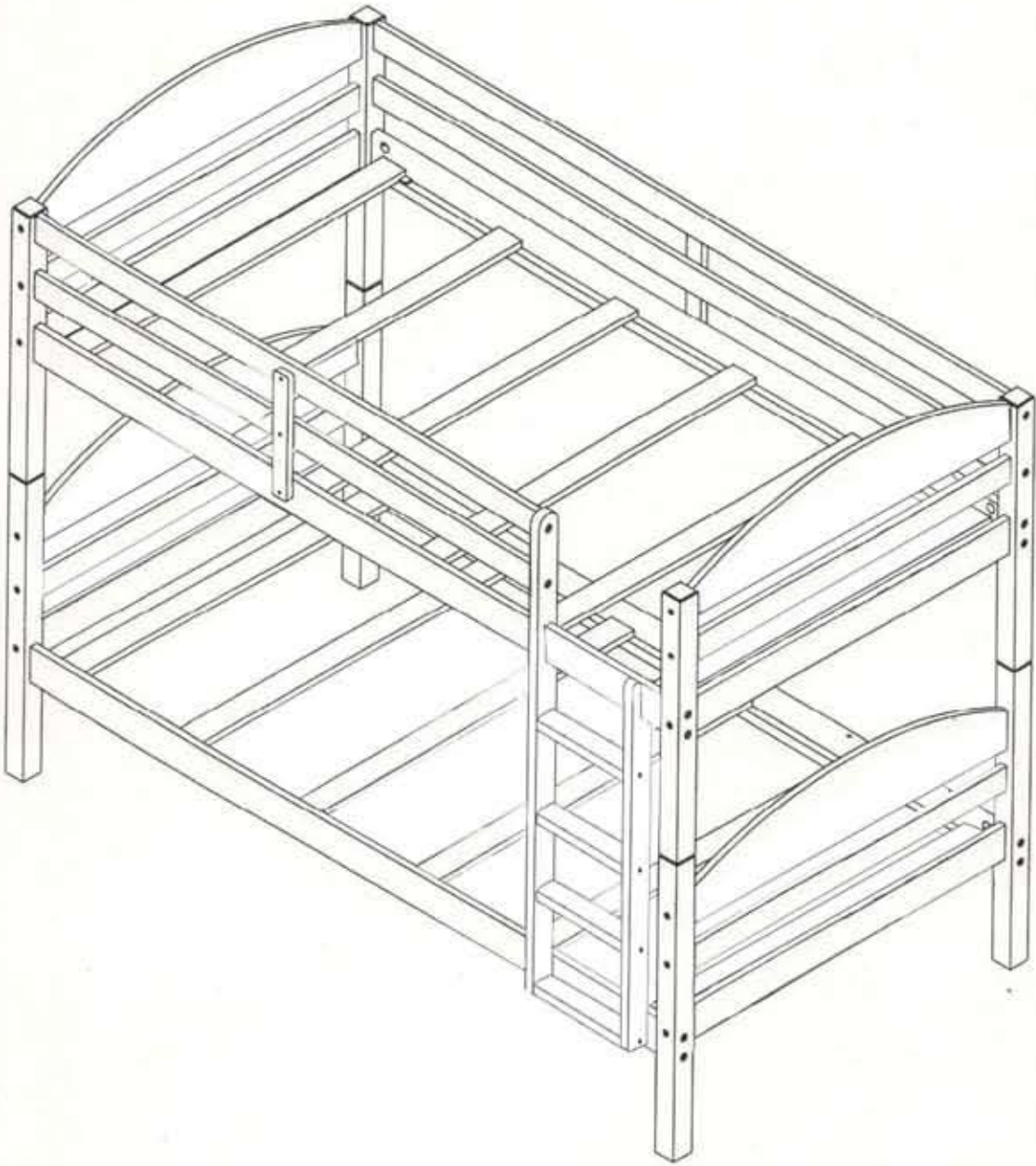


# WOODEN BUNK BED

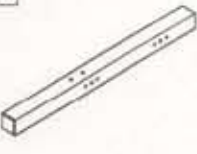
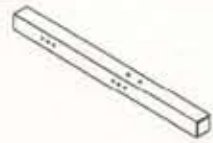
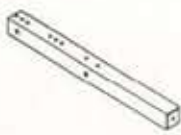
















# Assembly Instructions







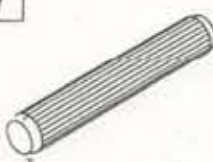



Thank you for purchasing this product. Be sure to check all packing material carefully for small parts which may have come loose inside the carton during shipment. Separate, identify, and count all parts and metal hardware. Compare with parts list to be sure all parts are present. If any part(s) are missing or damaged, please contact your local furniture dealer. For efficient and speedy service, please indicate the model number and code letter of part(s) needed.

\*\*\* Note: Do not fully tighten screws until fully assembled\*\*\*

## Parts list & Illustration

			
Bottom posts 2pcs	Bottom posts 2pcs	Upper posts 2pcs	Upper post 1pc
			
Upper post 1pc	Headboard panel 4pcs	Bottom side rail 2pcs	Front upper side rail 1pc
			
Back upper side rail 1pc	Back guardrail bar 2pcs	Front guardrail bar 2pcs	Front side guardrail bar 1pc
			
Guardrail reinforce bars 2pcs	Slats 12pcs	Ladder left side rail 1pc	Ladder right side rail 1pc
			
Ladder steps 4pcs			

Hardware & Illustration

<p>1</p>  <p>D16mm*Ø1/4"*4"</p>	<p>2</p>  <p>D16mm*Ø1/4"*1-1/4"</p>	<p>3</p>  <p>D16mm*Ø1/4"*2-1/2"</p>	<p>4</p>  <p>D16mm*Ø1/4"*4"</p>	<p>5</p>  <p>Ø8*30mm</p>
<p>Hex-Head bolts 32 pcs</p>	<p>Hex-Head bolts 8 pcs</p>	<p>Hex-Head bolts 10 pcs</p>	<p>Hex-Head bolts 6 pcs</p>	<p>Wood plugs 64 pcs</p>
<p>6</p> 	<p>7</p>  <p>Ø15*90mm</p>	<p>8</p>  <p>Ø8*1-1/4"</p>	<p>9</p>  <p>Ø8*1/2"</p>	<p>10</p> 
<p>Nut 16 pcs</p>	<p>Contacting bar 4 pcs</p>	<p>Wood screws 24 pcs</p>	<p>Wood screws 6 pcs</p>	<p>Allen key 1 pc</p>

\*\*\* Mattress ( not included)

Recommended size: 37.5" wide x 74" long x 6" maximum thickness.

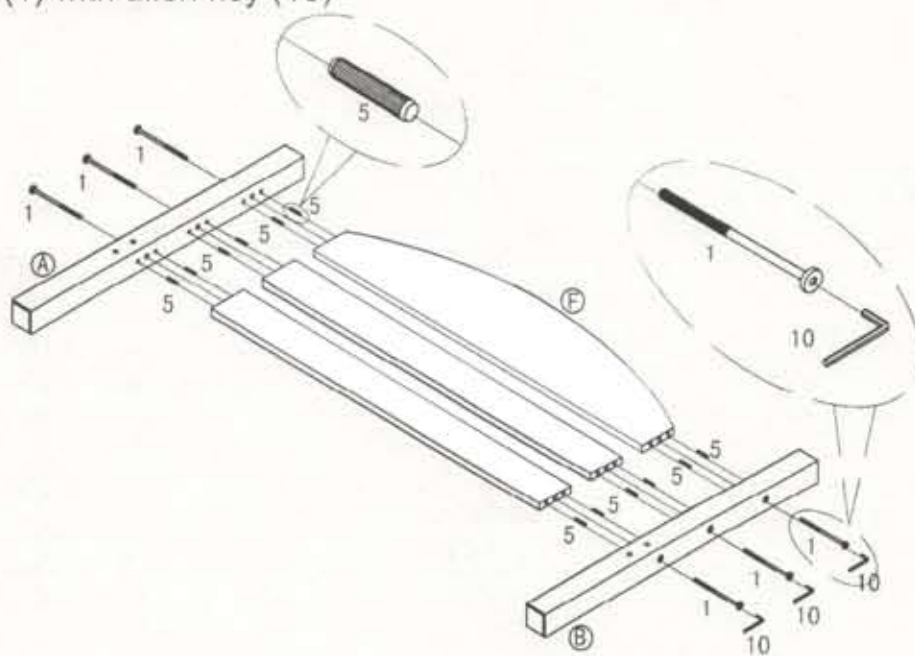
Attention: Some numbered parts listed on the instruction sheet may not be in parts bag as they may already be assemble. Carefully check parts and packing material prior to ordering replacements.

## STEP 1

Insert wood plugs (5) into headboard panel (F).

Attached the bottom posts (A,B) to the headboard panel (F) with bolts (1).

Tighten bolts (1) with allen key (10)

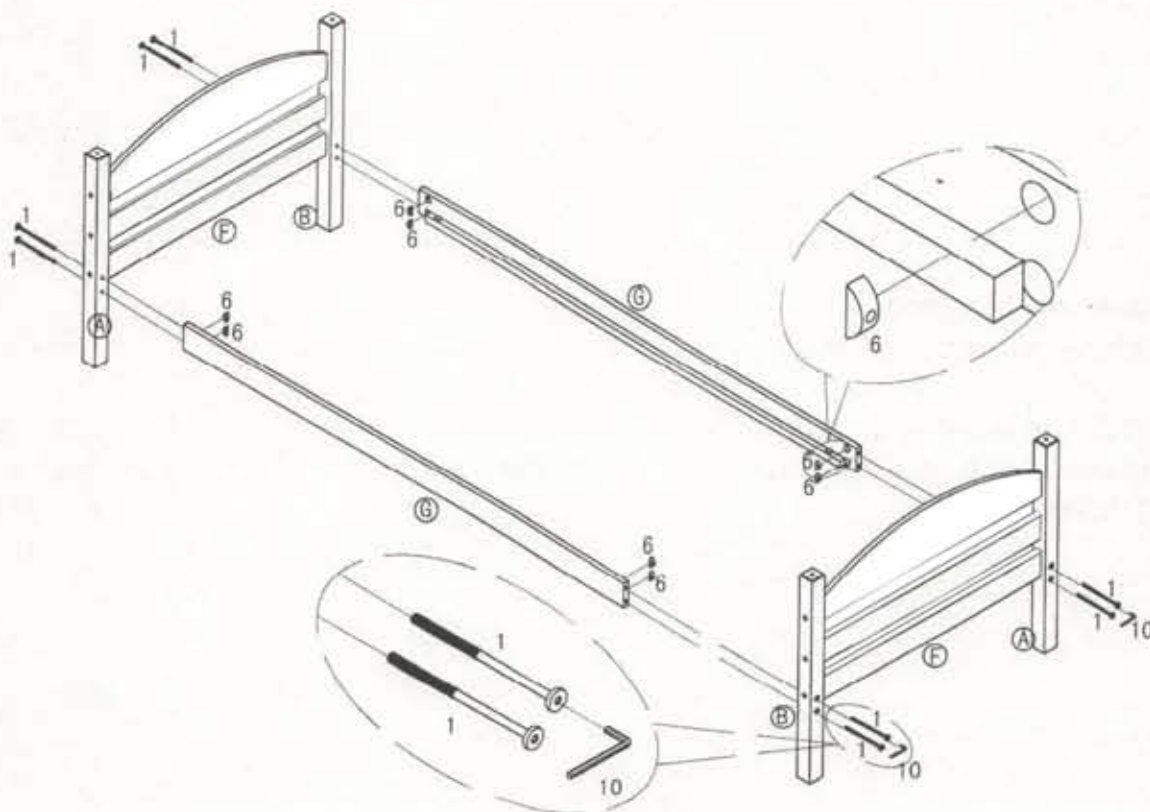


## STEP 2

Insert nut (6) into bottom side rails (G)

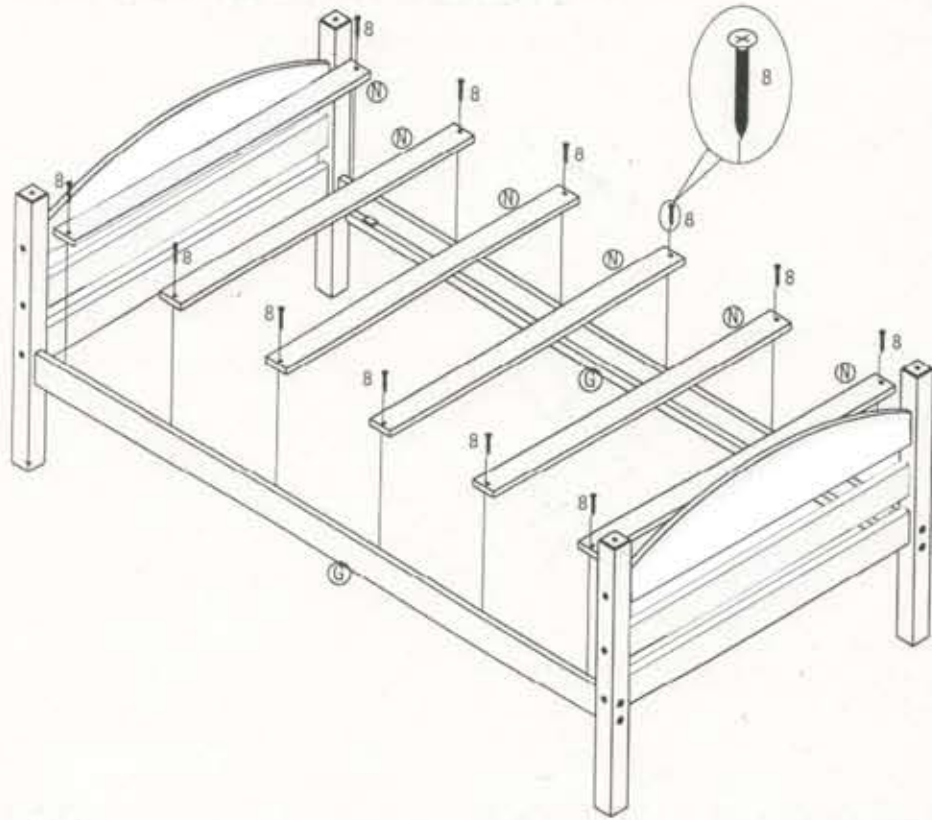
Attached the bottom side rails (G) to headboard (A,B,F) with bolts (1).

Tighten bolts (1) with allen key (10)



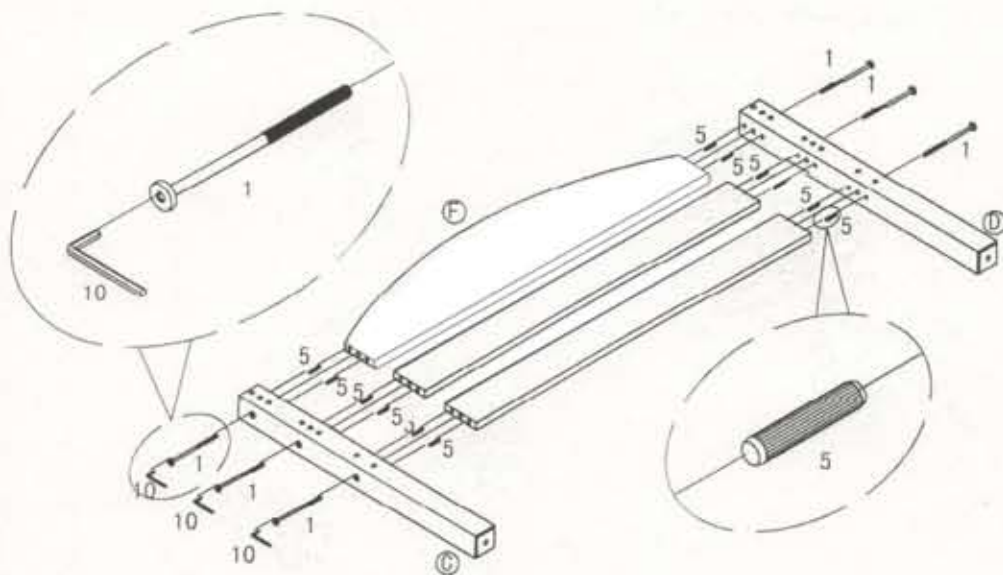
## STEP 3

Attached slats (N) to bottom side rails (G) with wood screws (8).  
Tighten screws (8) with phillips head screw driver (not included).



## STEP 4

Insert wood plugs (5) into headboard panel (F).  
Attached the upper posts (C,D) to the headboard panel (F) with bolts (1).  
Tighten bolts (1) with allen key (10)

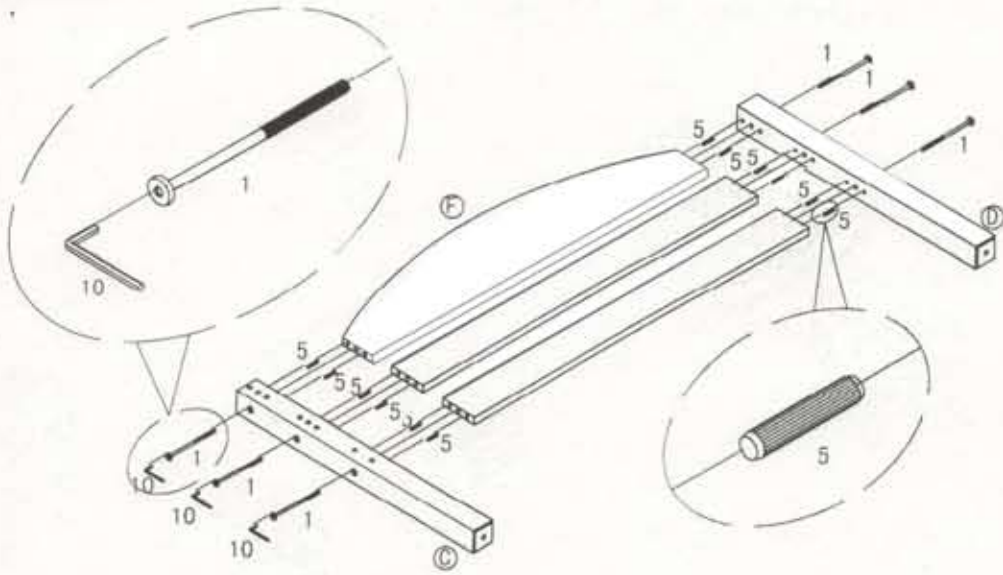


## STEP 5

Insert wood plugs (5) into headboard panel (F).

Attached the upper posts (C,E) to the headboard panel (F) with bolts (1).

Tighten bolts (1) with allen key (10)



## STEP 6

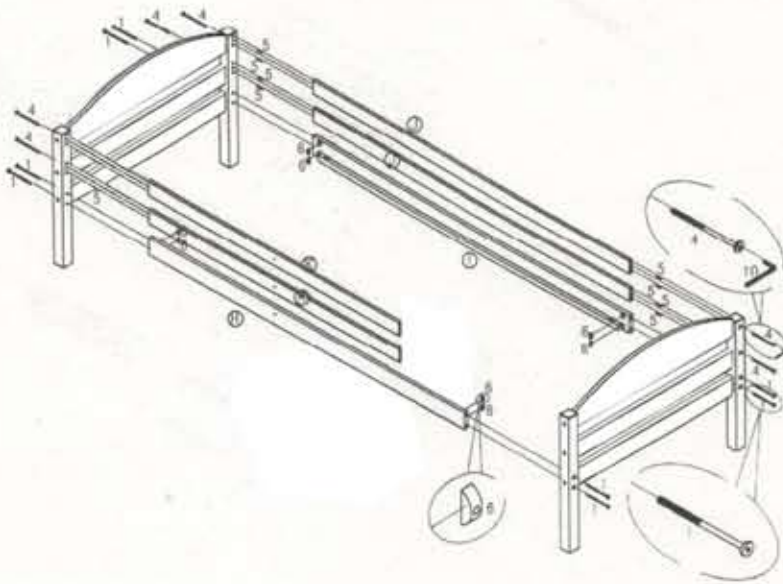
Insert nut (6) into back upper side rail (I) and front upper side rail (H).

Insert wood plugs (5) into back guardrail bar (J) and front guardrail bar (K).

Attached the front upper side rail (H), back upper side rail (I), back guardrail bar (J) and front guardrail bar (K) to headboard with bolts (1,4).

Attached front side guardrail bar (L) to front guardrail bar (K) with bolts(3).

Tighten bolts (1,3,4) with allen key (10)

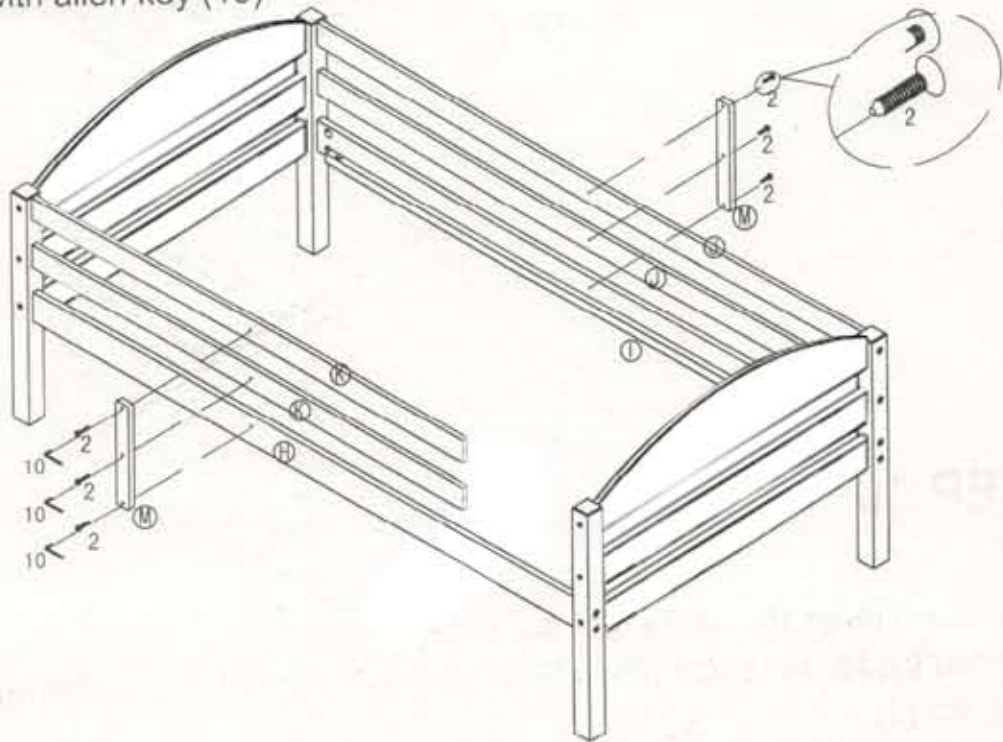


## STEP 7

Attached guardrail reinforce bars (M) to front upper side rail (H), back upper side rail (I) back guardrail bar (J) and front guardrail bar (K) with bolts (2).

Attached front side guardrail bar (L) to front upper side rail (H) with bolts (2).

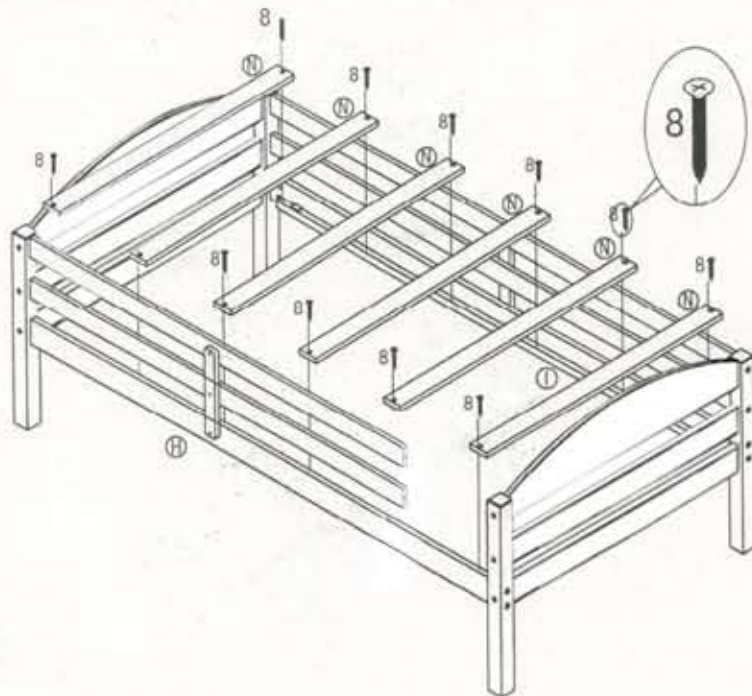
Tighten bolts (2) with allen key (10)



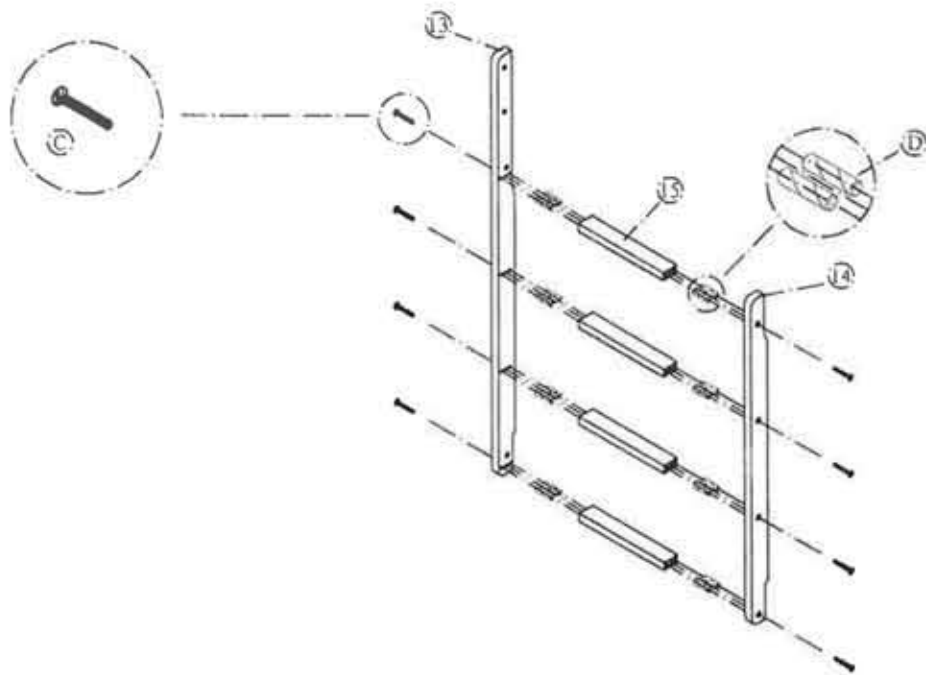
## STEP 8

Attached slats (N) to front upper side rail (H), back upper side rail (I) with wood screws (8).

Tighten screws (8) with phillips head screw driver (not included).



## STEP 9



## STEP 10

Attached top bunk to bottom bunk with Contacting bar (7).

