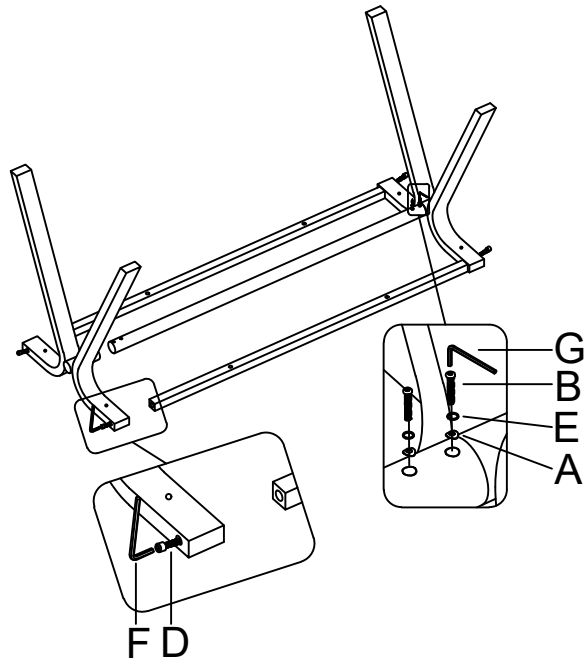
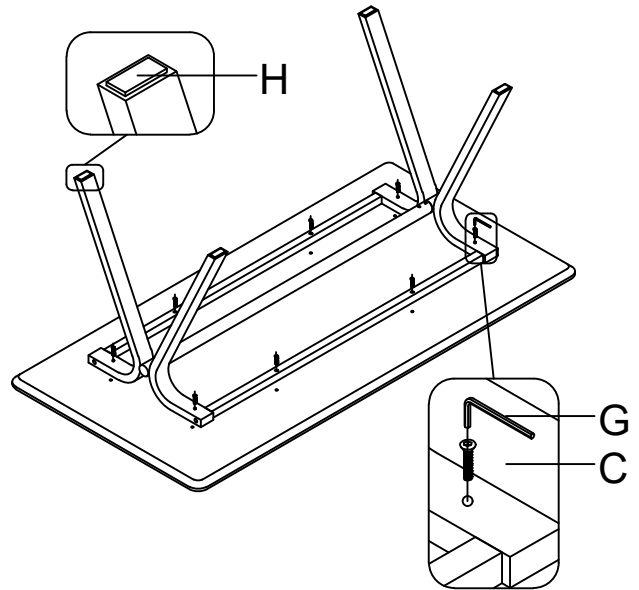


ASSEMBLY INSTRUCTION

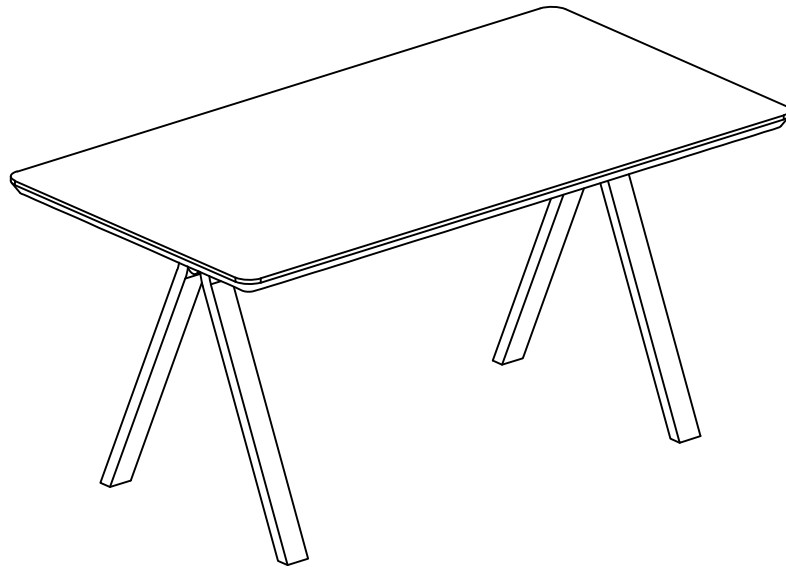
STEP 1



STEP 2

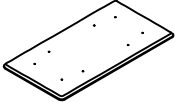

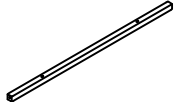
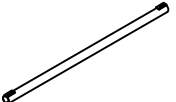





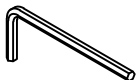




DI-180M



Please strictly follow the instructions manual for assembly. Using the wrong screws may result in damage to the product.

At least 2 people are required for product assembly

1	 1pc	2	 2pcs	3	 2pcs	4	 1pc
A	 Ø8 4pcs	B	 M8*50 4pcs	C	 M8*55 8pcs	D	 M8*75 4pcs
E	 Ø8 4pcs	F	 M6 1pc	G	 M5 1pc	H	 30*56 4pcs