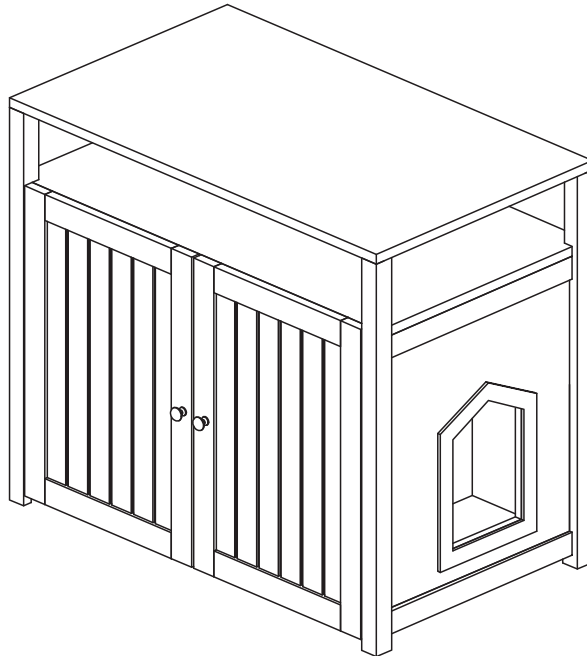




CAT LITTER BOX CABINET

USER GUIDE

APCATBXLG



Thank you for purchasing the ARF PETS Cat Litter Box Cabinet. This User Guide is intended to provide you with guidelines to ensure that operation of this product is safe and does not pose risk to the user. Any use that does not conform to the guidelines described in this User Guide may void the limited warranty.

Please read all directions before using the product and retain this guide for reference.

This product is intended for household use only. This product is covered by a limited one-year warranty. Coverage is subject to limits and exclusions. See warranty for details.

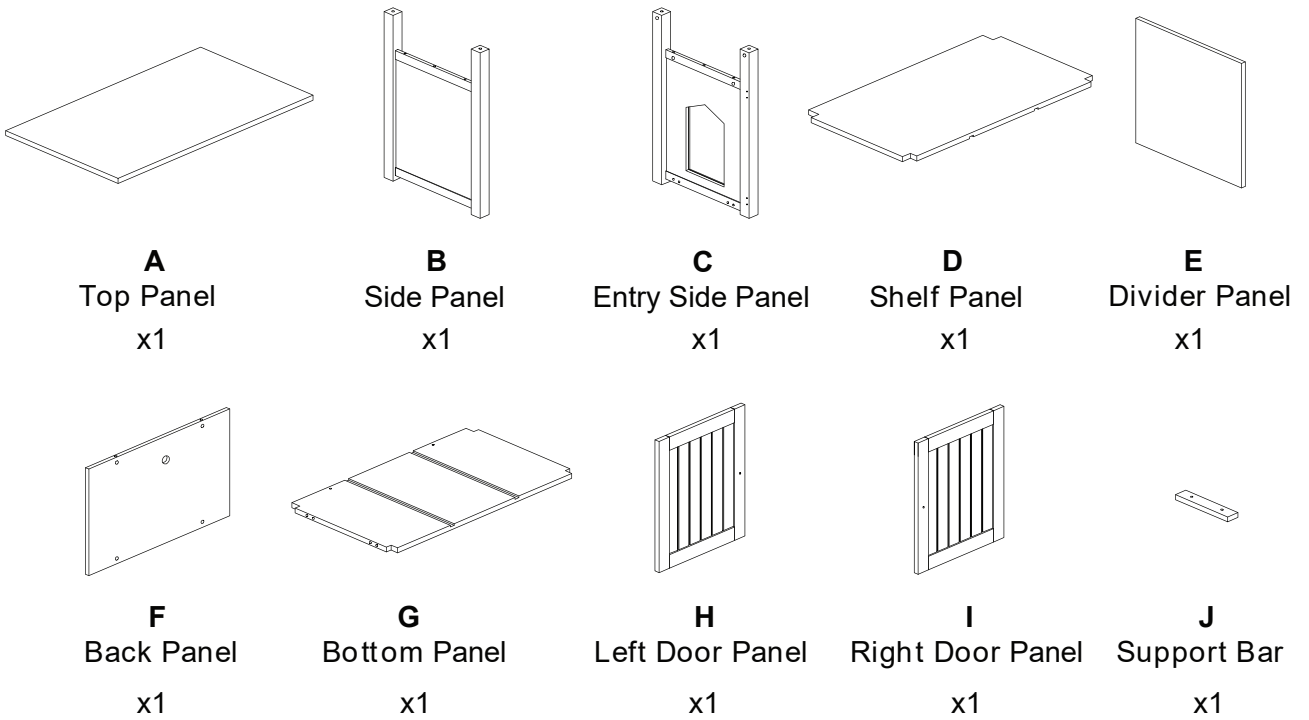
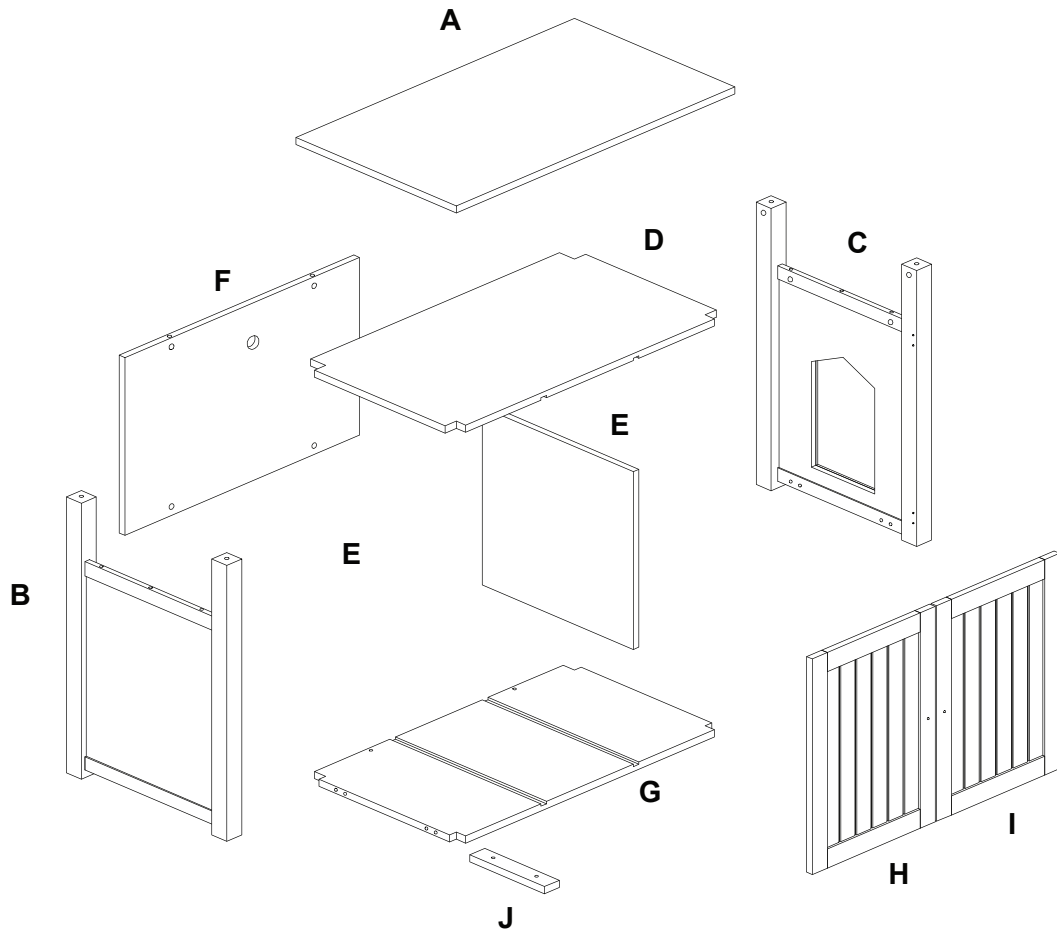
Features

- Accommodates a pet bed or hides a large cat litter box
- Provides attractive extra surface and storage space
- Front cabinet doors and 1 pet entry opening
- Ideal for bathrooms, laundry rooms, mudrooms

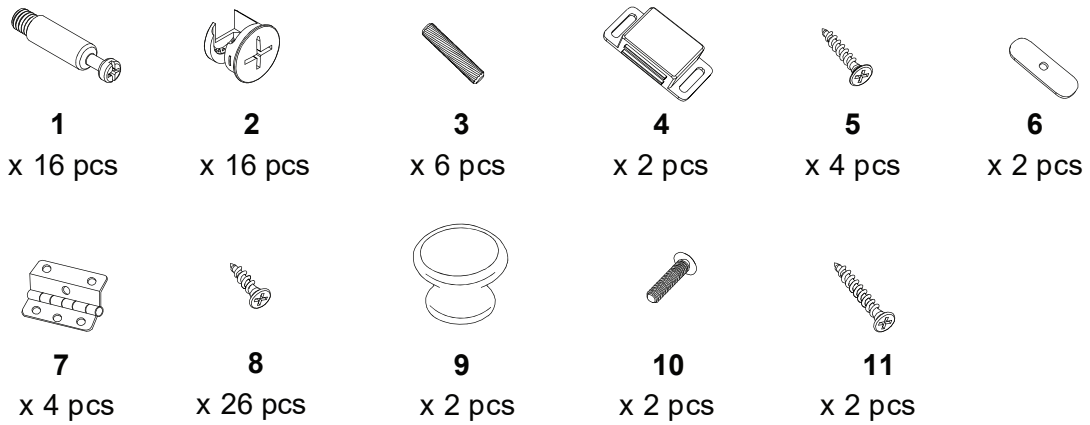
Safety Precautions

- Before assembling, check that all parts listed in this manual are in the box.
- Always keep pet beds and pet furniture away from combustible materials, chemicals, heat sources, cleaning products, plants, tools, electrical appliances or equipment, and objects that your pet may chew or ingest.
- Always use pet-safe cleaning products to clean this product.
- Do not block the door or opening of the cabinet. Always allow for adequate air circulation inside the enclosure while your pet is in it.
- Do not sit or stand on the product.
- Do not place heat-emitting appliances inside the cabinet or on the shelf or tabletop.
- Do not place objects weighing more than the maximum weight capacity of 20 lbs. on the top shelf.
- Use this product only for its intended purpose.
- When assembly, keep all children and pets away from the work area.
- Do not tighten the bolts and screws completely until the entire cabinet has been assembled and set up.
- Once assembled, place the cabinet on a smooth and level surface.

Parts



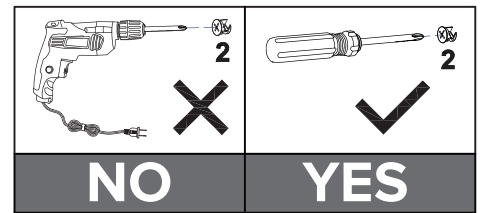
Hardware



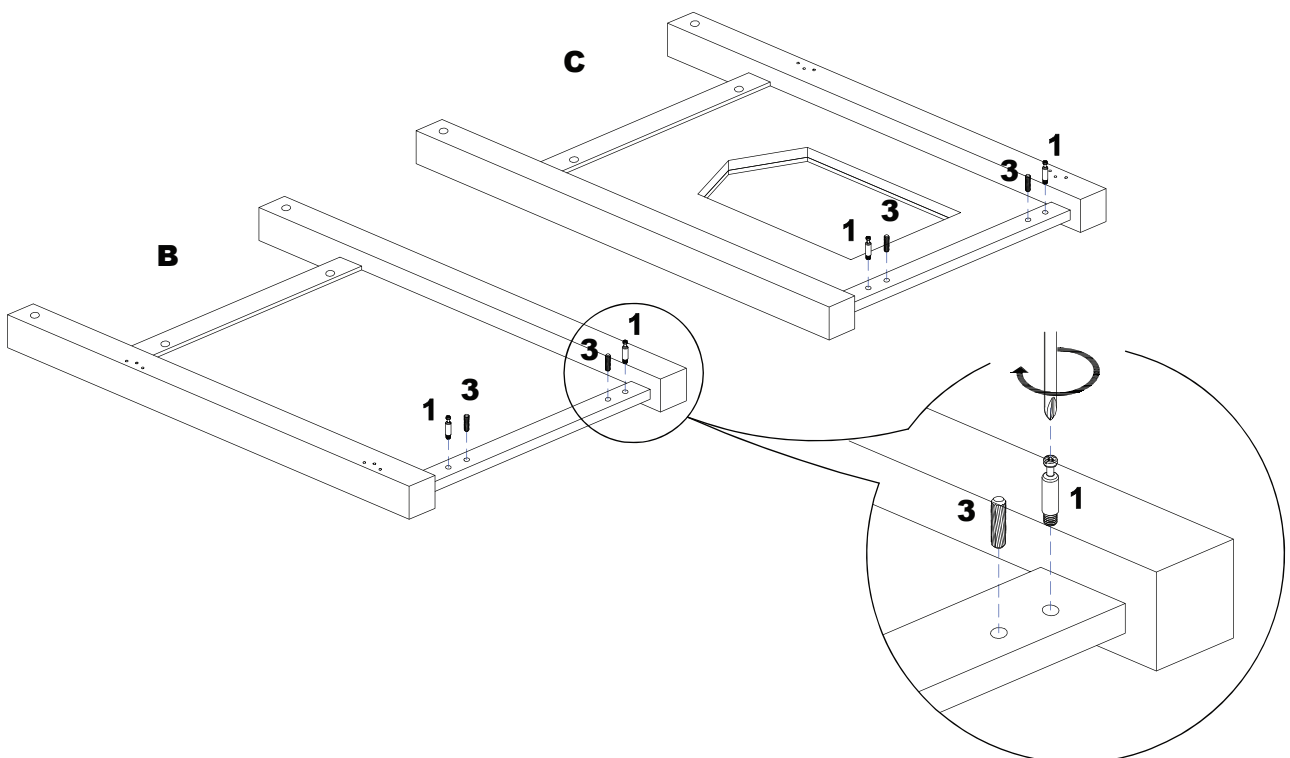
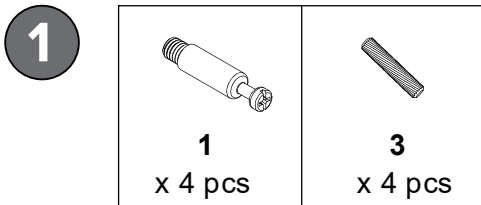
Assembly Instructions

WARNING! DO NOT use power tools to assemble this product. Please read all assembly instructions carefully before beginning assembly of this product. This product should be assembled by an adult only.

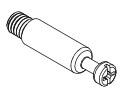
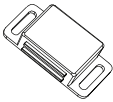

NOTE: Before assembling the cabinet, take note of which side you would like your cat to be able to enter from. When assembling, be sure to place the entry side panel on either the left or right, depending on this preference.

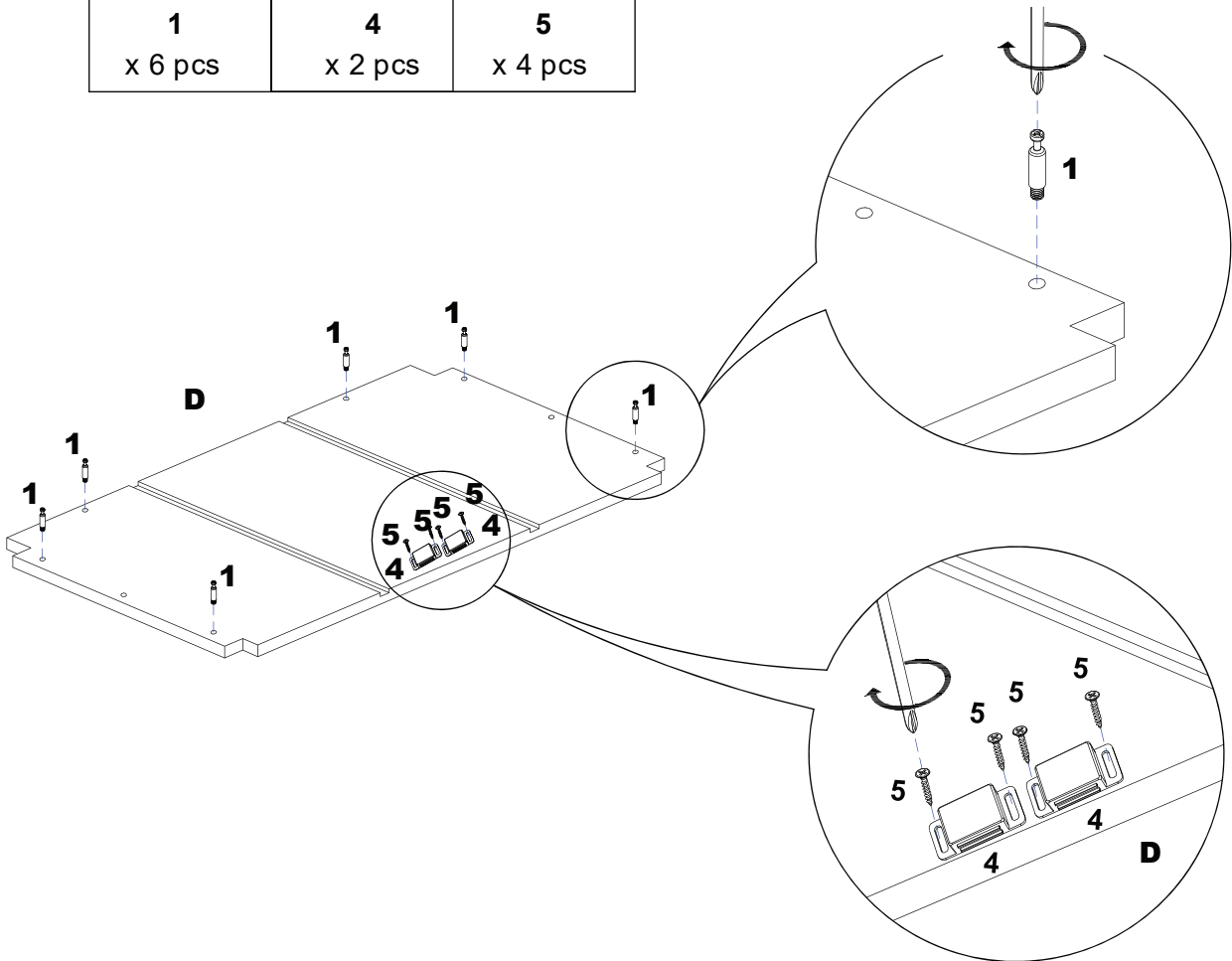


Assemble as Shown

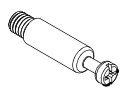


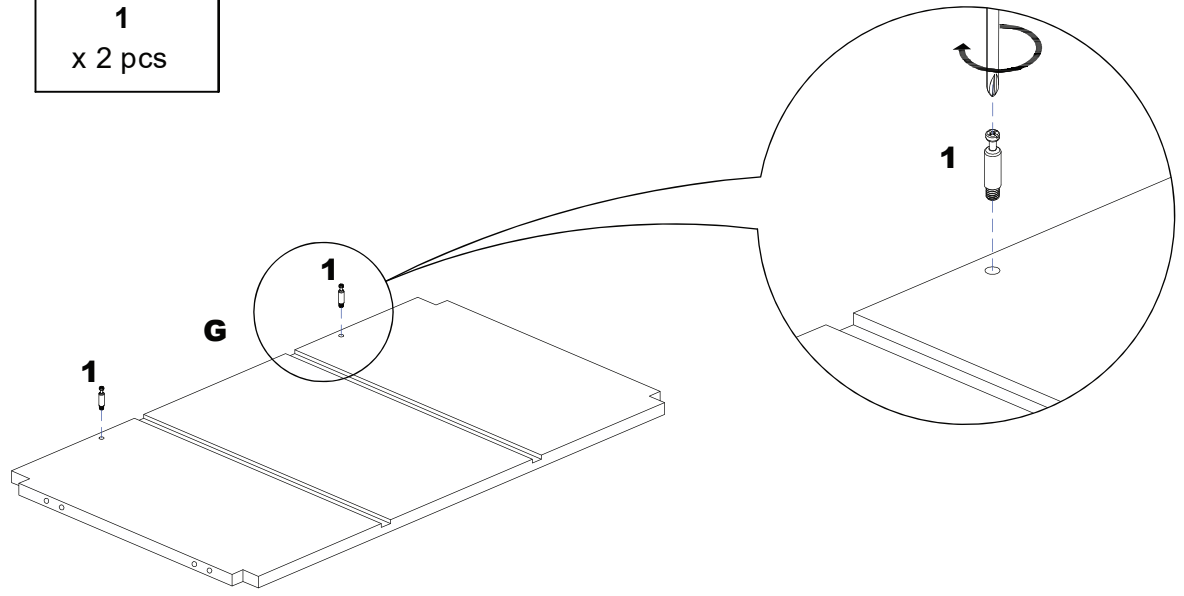
2

 1 x 6 pcs	 4 x 2 pcs	 5 x 4 pcs
--	---	--

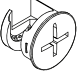



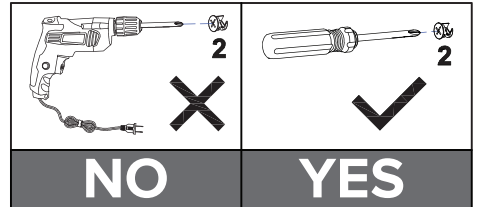
3

 1 x 2 pcs
--

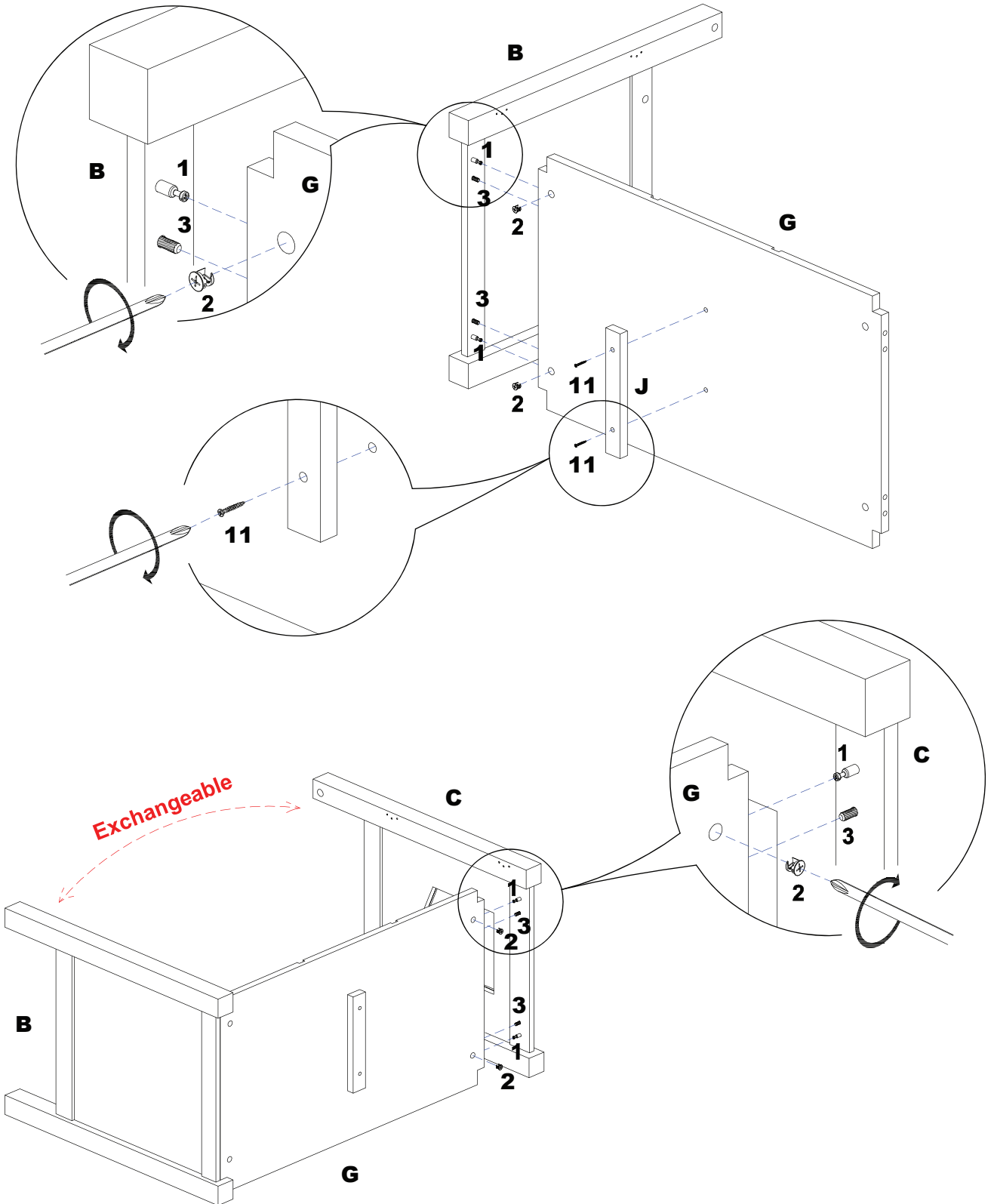


4

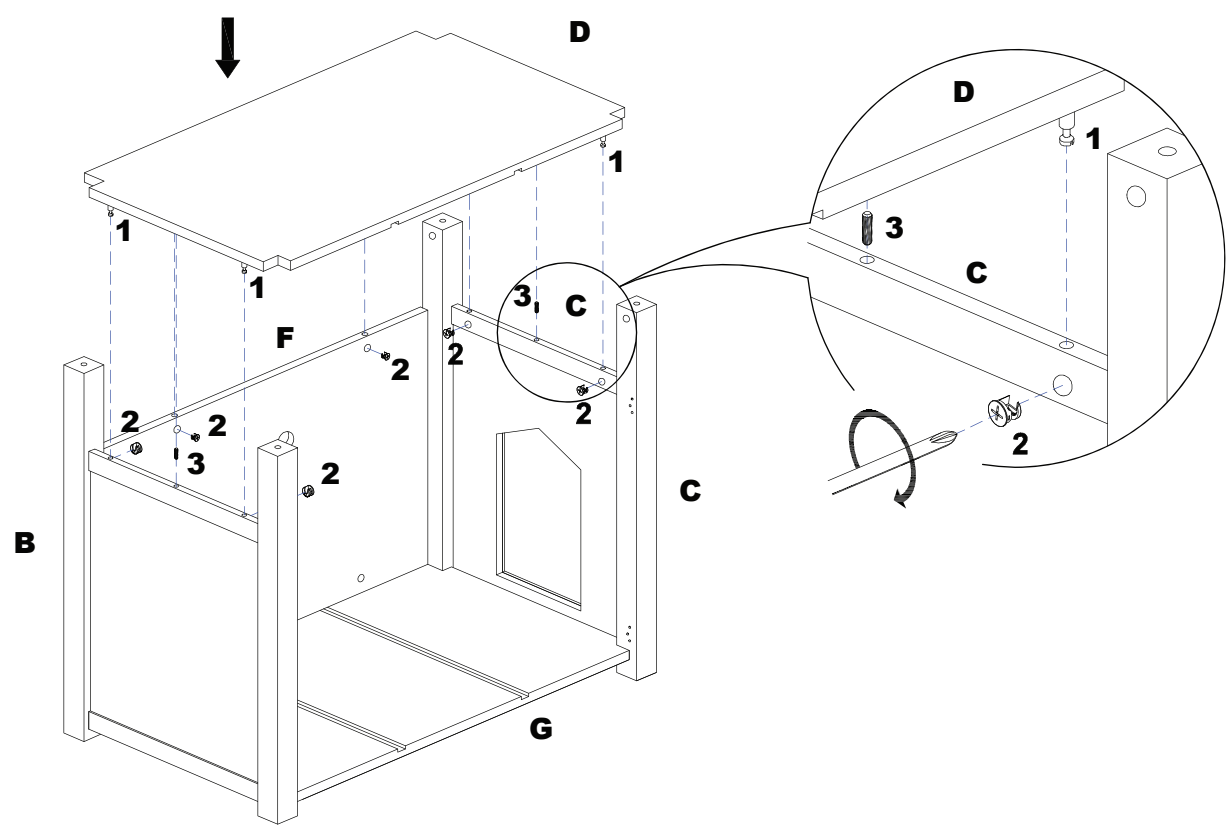
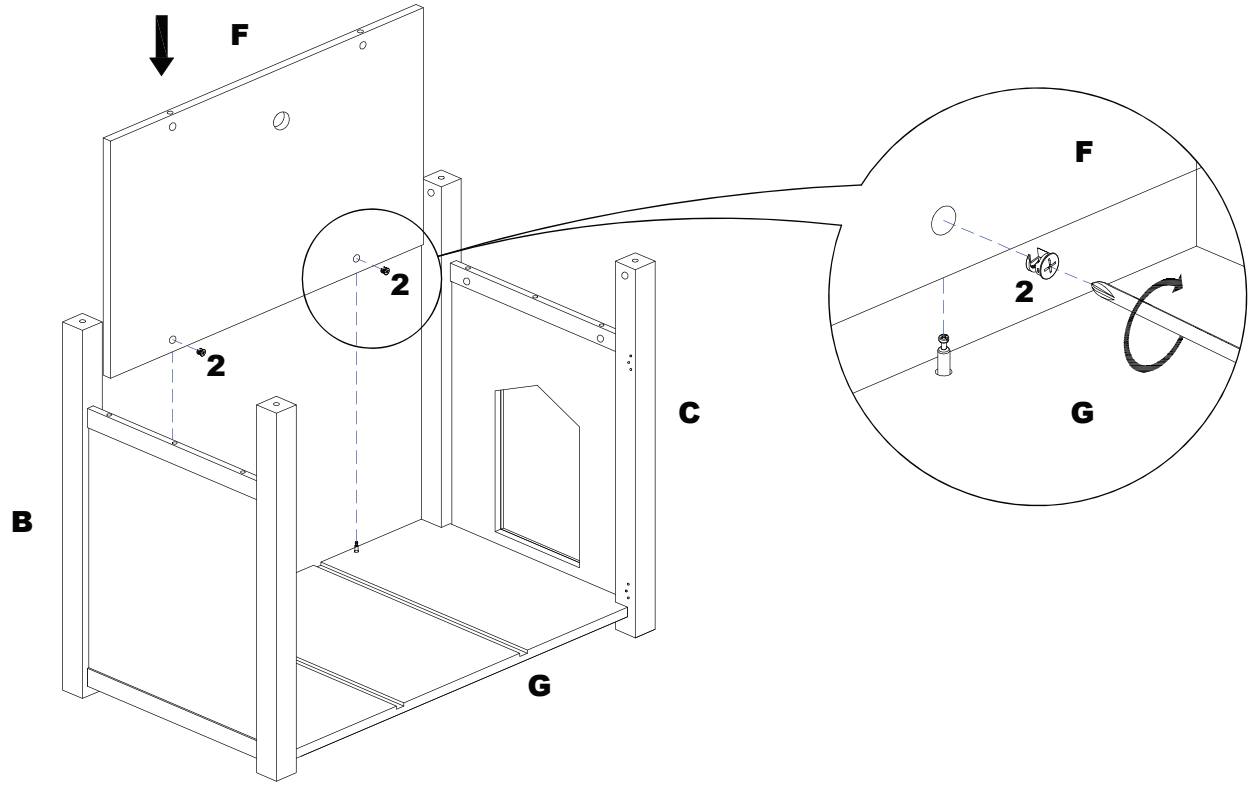
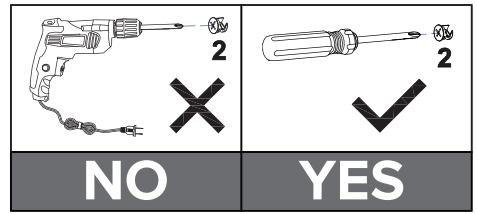
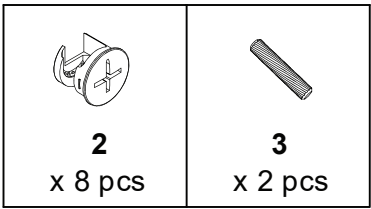
	
2 x 4 pcs	11 x 2 pcs



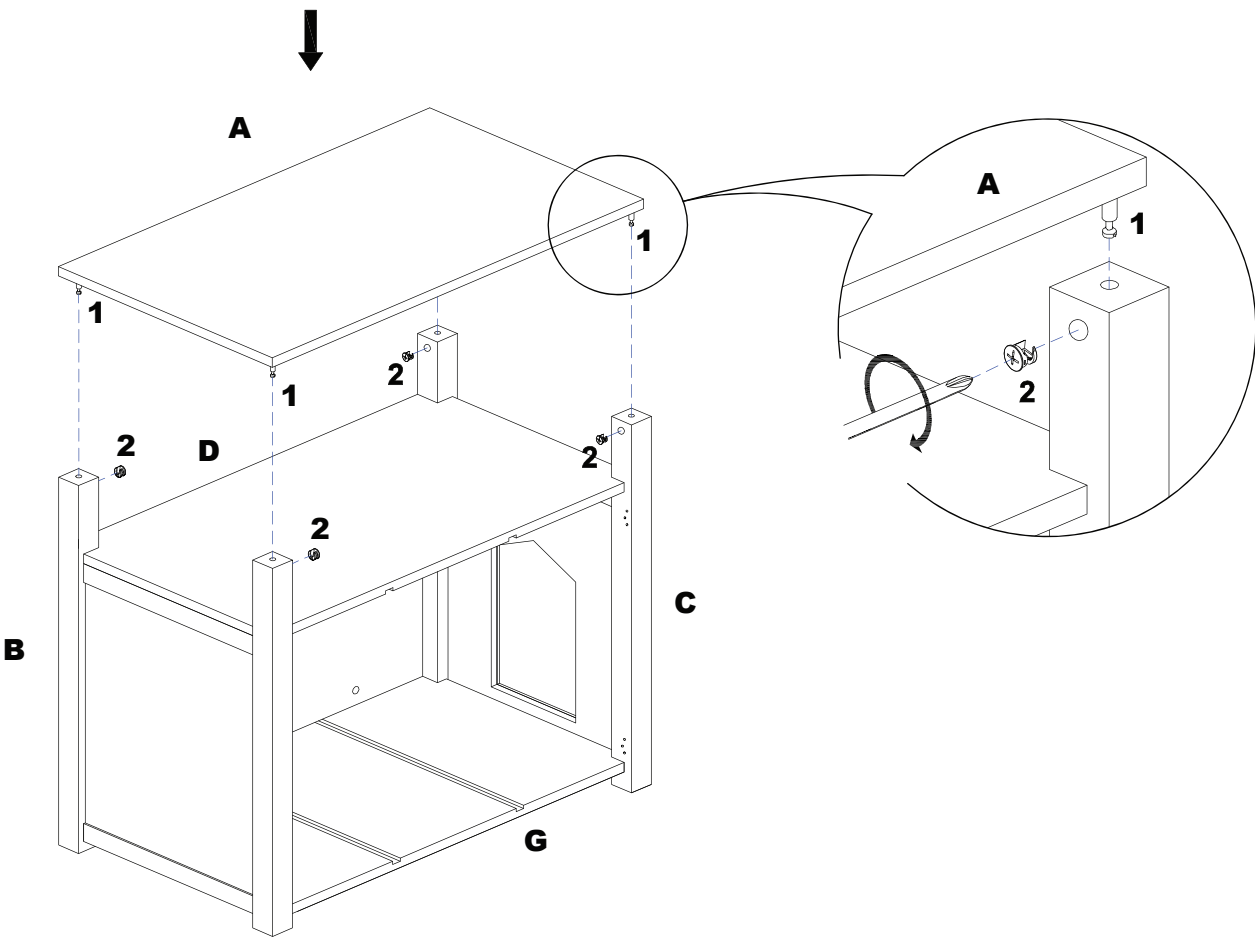
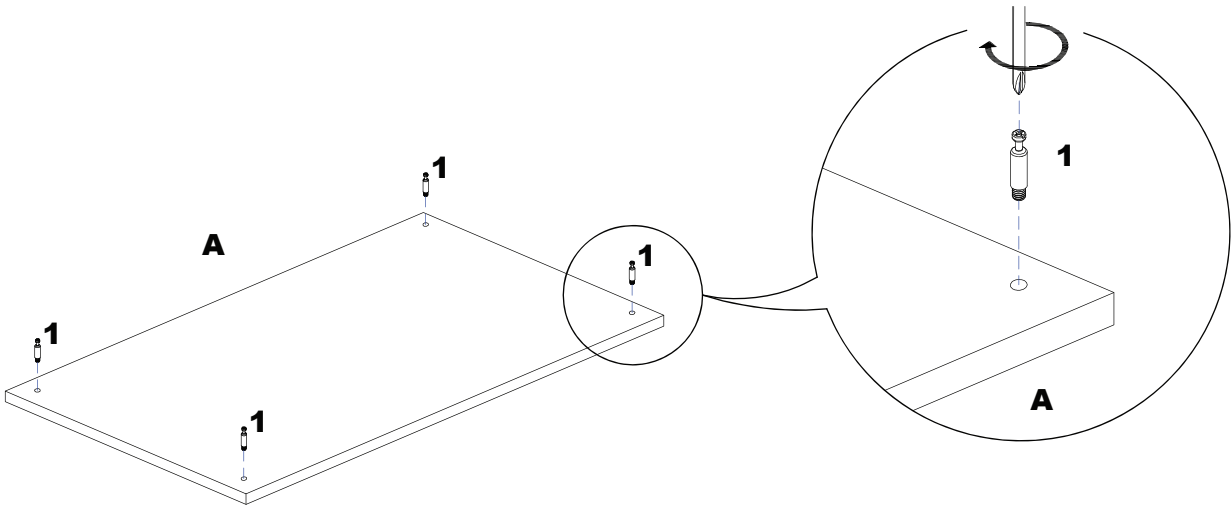
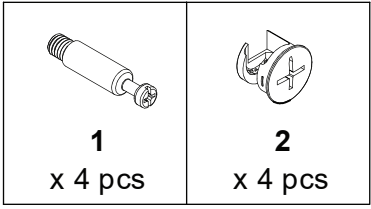
NOTE: Before assembling the cabinet, take note of which side you would like your cat to be able to enter from. When assembling, be sure to place the entry side panel on either the left or right, depending on this preference.




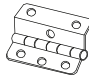

5

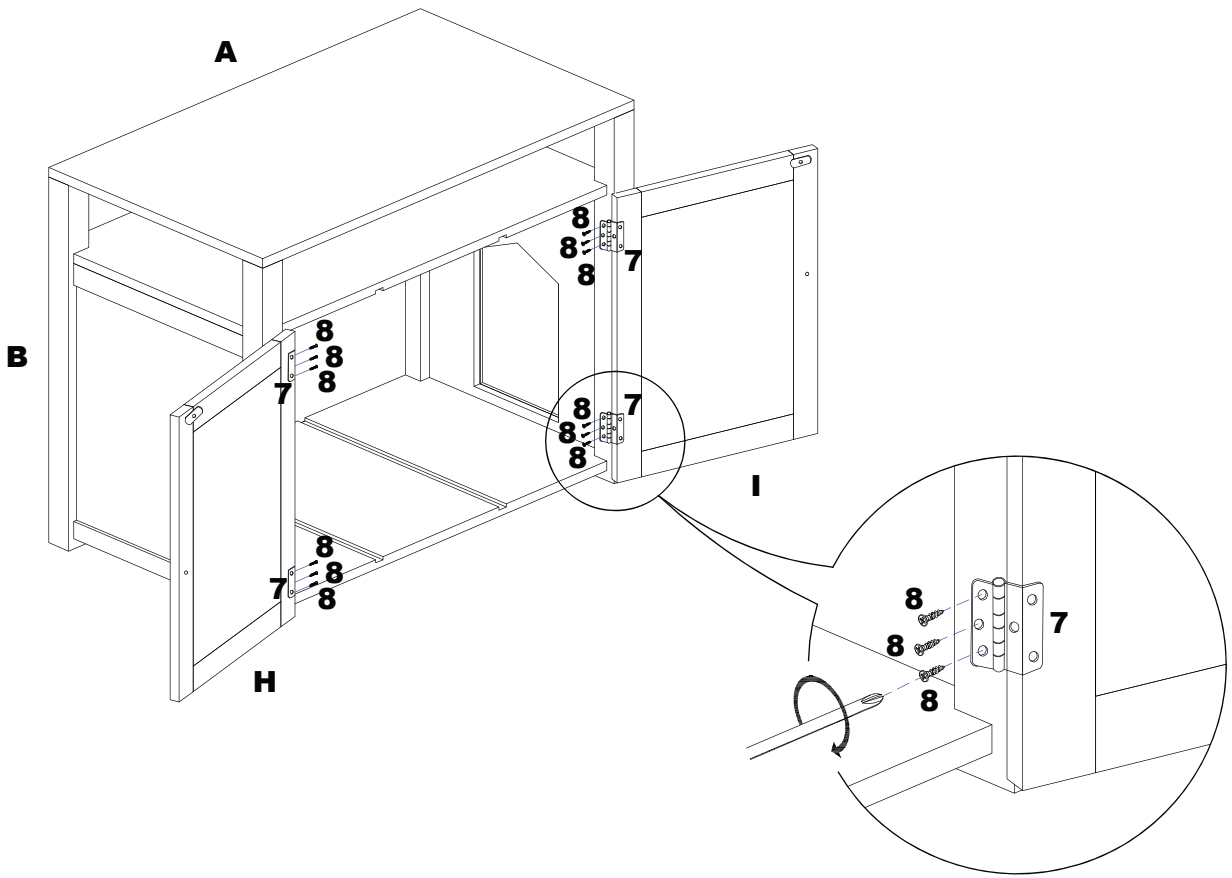
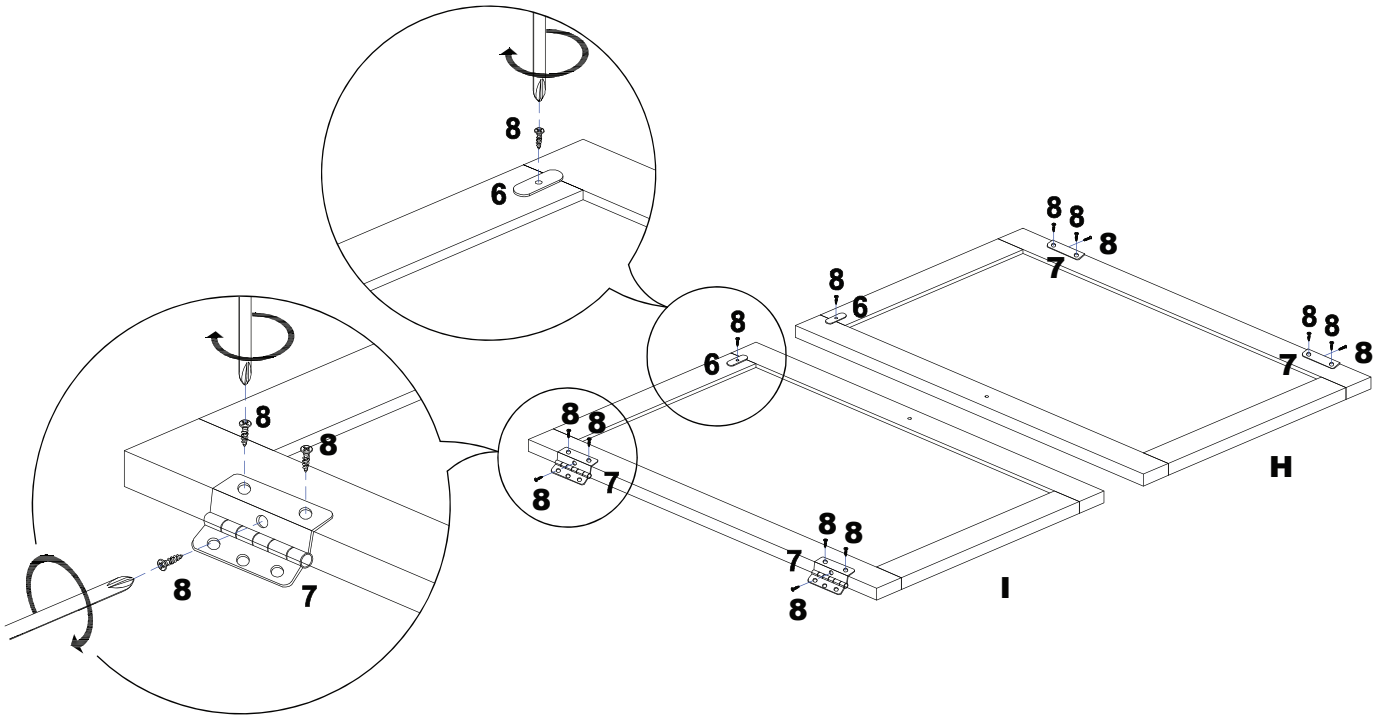


6



7

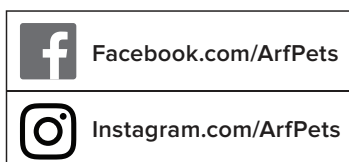
		
6 x 2 pcs	7 x 4 pcs	8 x 26 pcs



CUSTOMER SERVICE:

If any parts are missing from your Arf Pets Cat Litter Box Cabinet, or you have any questions or concerns, please reach out to our 24/7 support center. Our customer service representatives are here to help!

Email: support@arfpets.com or call: **877-711-6886**



Distributed by C&A Marketing Inc, 114 Tived Lane East, Edison, NJ 08837 USA
C&A Marketing UK LTD, 167 Hermitage Road, Crusader Industrial Estate, London N4 1LZ, United Kingdom

Made in China

ARF PETS is a trademark of C&A IP Holdings, LLC in the US, Canada, China and the EU.

©2018 All rights reserved