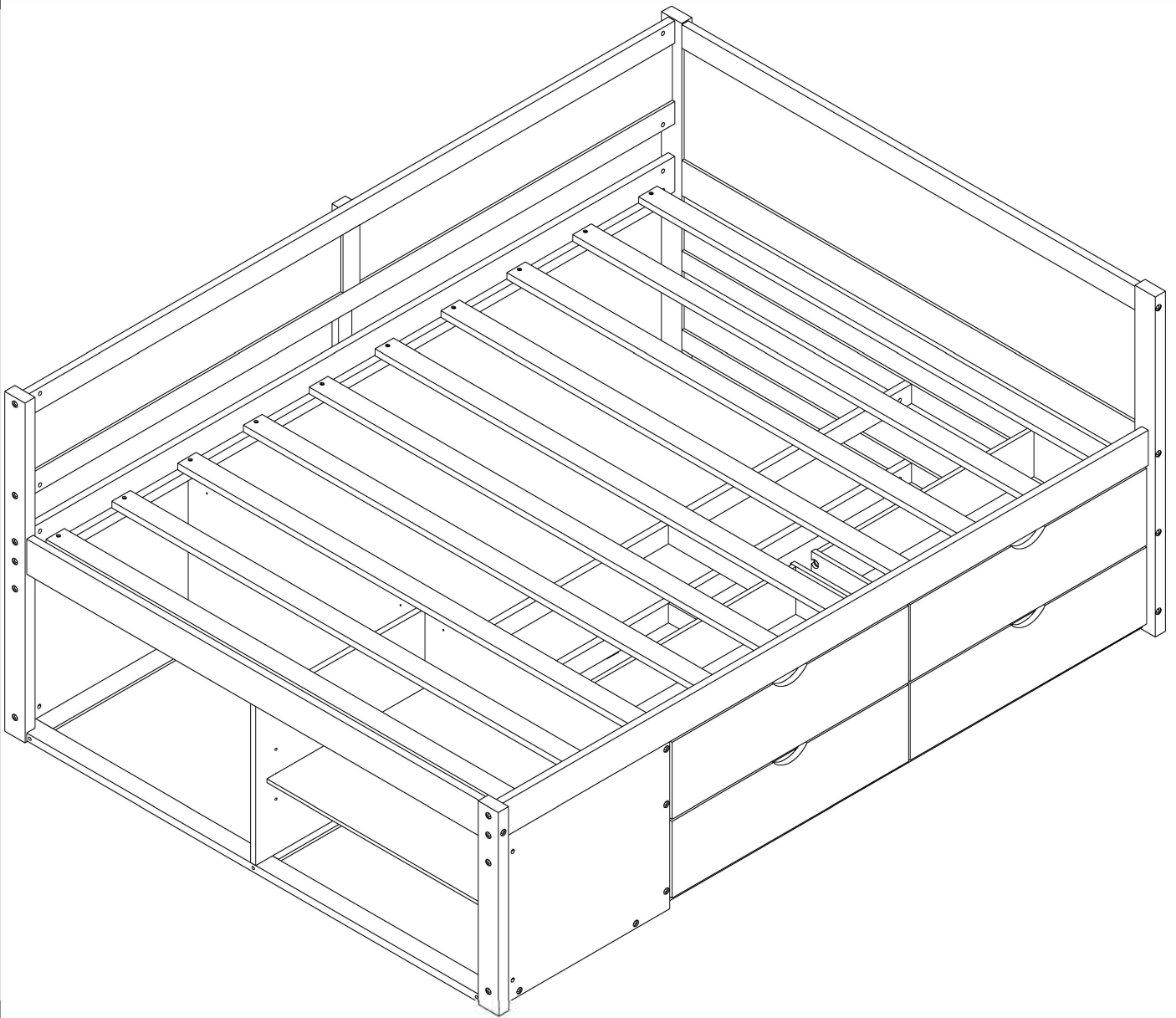


# ASSEMBLY INSTRUCTION

**This set includes 2 boxes if don't receive full 2 boxes please contact our customer service team**



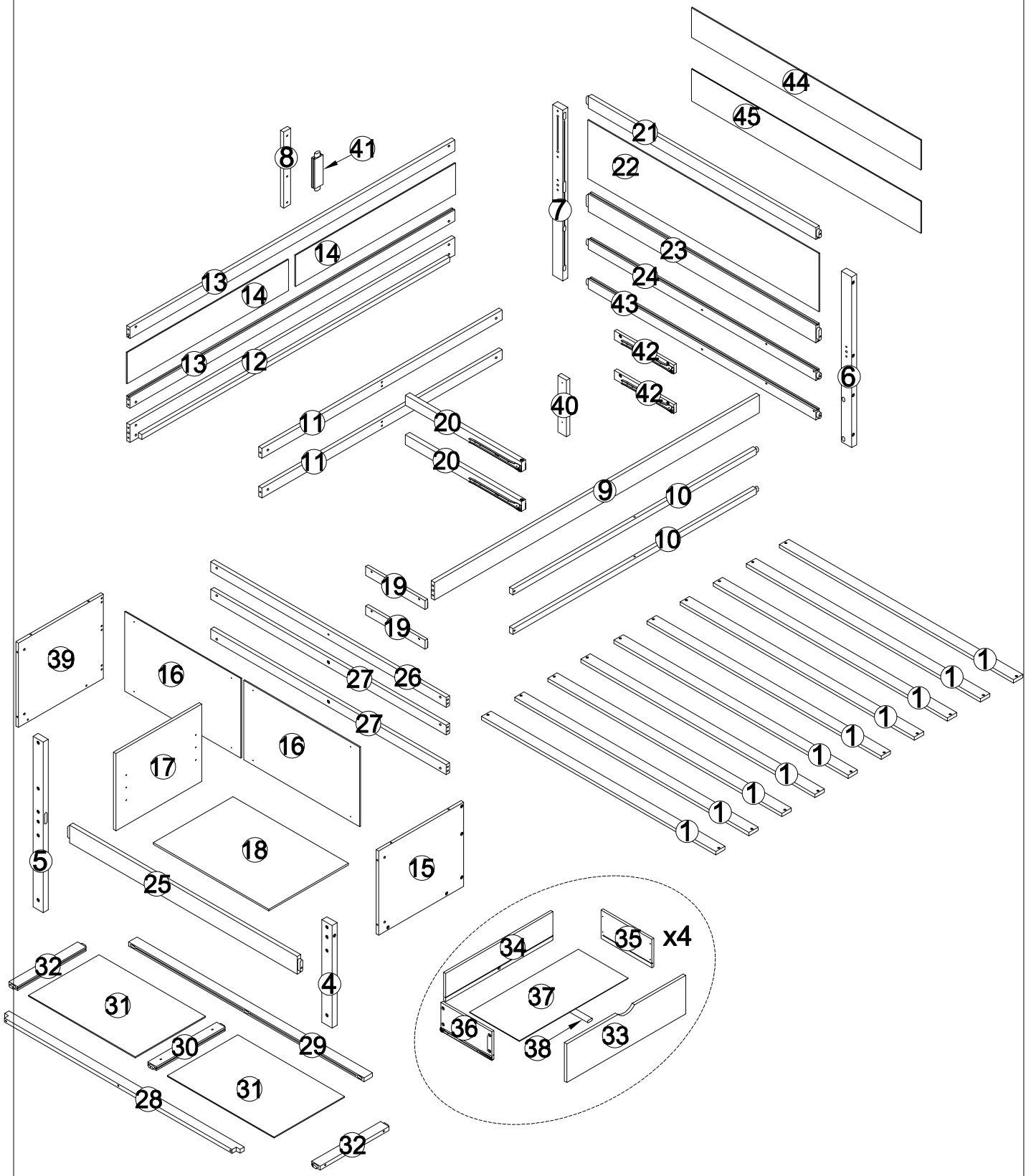
## **SAFETY WARNINGS AND GENERAL NOTES:**

- 1. Do not use substitute parts. Contact the manufacturer or dealer for replacement parts.**
- 2. Keep these instructions for future reference.**
- 3. We recommend assembling your bed on the shipping carton to protect your floor or carpet.**
- 4. Be certain all staples are out of the box before beginning assembly on the shipping carton.**






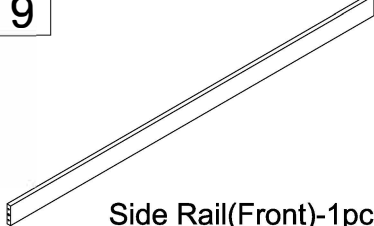
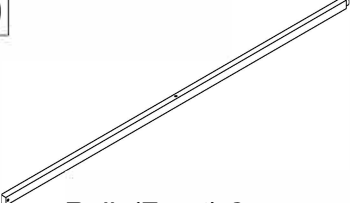
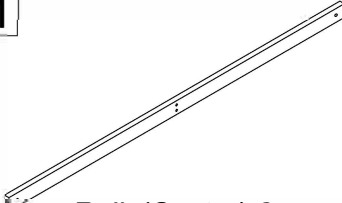
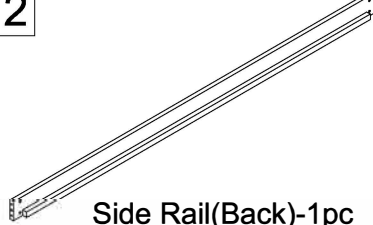
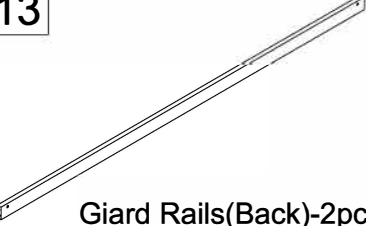
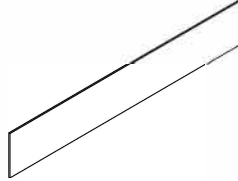
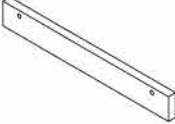
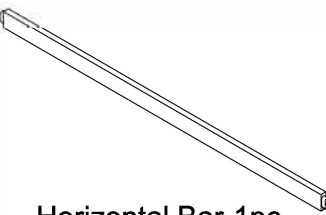
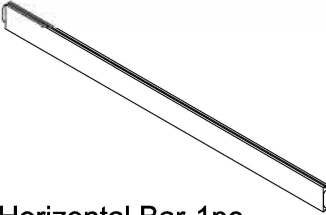
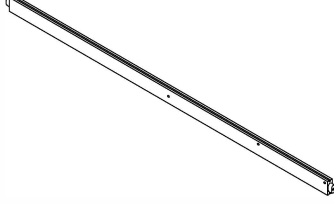
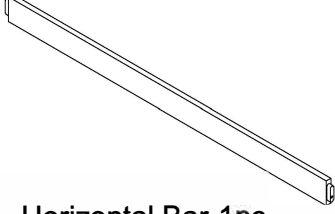
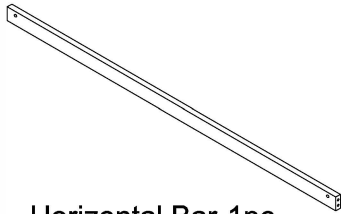
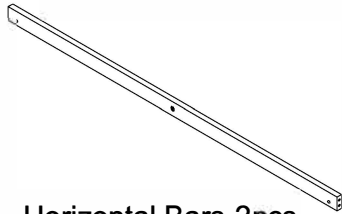
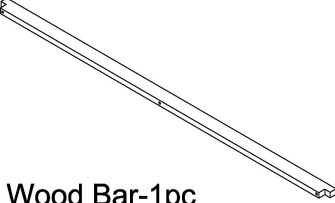

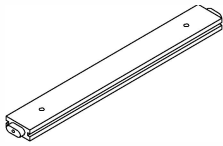
### **5.Replacement Parts:**

**Replacement Parts, including additional guardrails, may be obtained from any of our (GIGACLOUD TECHNOLOGY (USA) INC.) dealers**

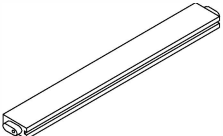
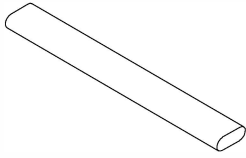
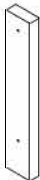
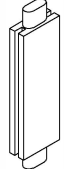

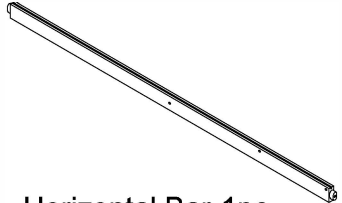
# ASSEMBLY INSTRUCTION





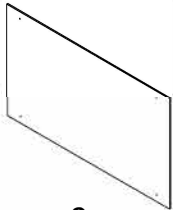
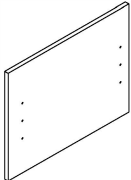
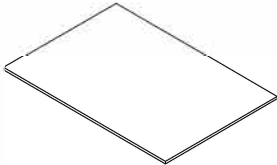
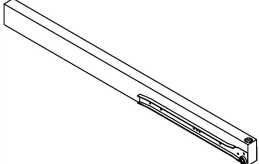
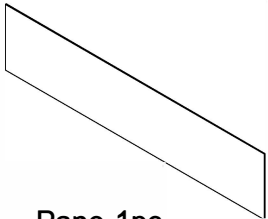
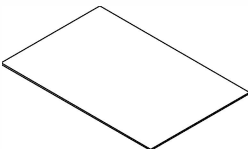
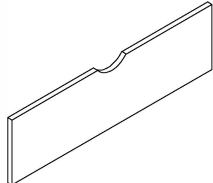
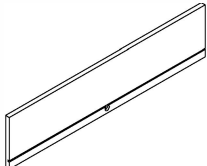
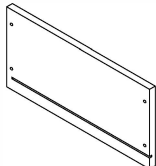
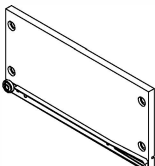
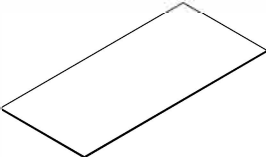
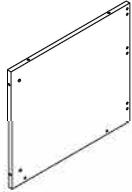
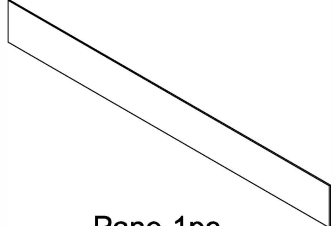
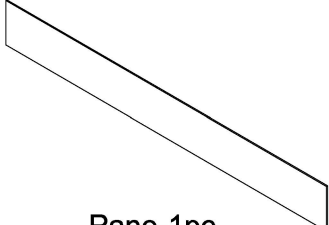
# Part List (Box 1)

<p>4</p>  <p>Leg-1pc</p>	<p>5</p>  <p>Leg-1pc</p>	<p>6</p>  <p>Leg-1pc</p>
<p>7</p>  <p>Leg-1pc</p>	<p>8</p>  <p>Rail(Back)-1pc</p>	<p>9</p>  <p>Side Rail(Front)-1pc</p>
<p>10</p>  <p>Rails(Front)-2pcs</p>	<p>11</p>  <p>Rails(Center)-2pcs</p>	<p>12</p>  <p>Side Rail(Back)-1pc</p>
<p>13</p>  <p>Giard Rails(Back)-2pcs</p>	<p>14</p>  <p>Panes(Back)-2pcs</p>	<p>19</p>  <p>Rails-2pcs</p>
<p>21</p>  <p>Horizontal Bar-1pc</p>	<p>23</p>  <p>Horizontal Bar-1pc</p>	<p>24</p>  <p>Horizontal Bar-1pc</p>
<p>25</p>  <p>Horizontal Bar-1pc</p>	<p>26</p>  <p>Horizontal Bar-1pc</p>	<p>27</p>  <p>Horizontal Bars-2pcs</p>
<p>28</p>  <p>Wood Bar-1pc</p>	<p>29</p>  <p>Wood Bar-1pc</p>	<p>30</p>  <p>Wood Bar-1pc</p>


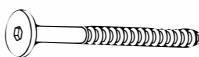
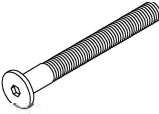

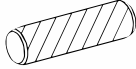

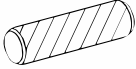



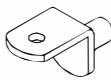


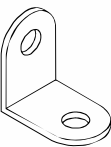

# Part List (Box 1)

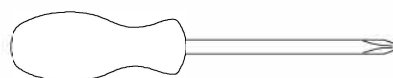
<p>32</p>  <p>Wood Bars-2pcs</p>	<p>38</p>  <p>Drawer-Sup Bottom Panels-4pcs</p>	<p>40</p>  <p>Rail-1pc</p>
<p>41</p>  <p>Rail-1pc</p>	<p>42</p>  <p>Rails-2pcs</p>	<p>43</p>  <p>Horizontal Bar-1pc</p>

# Part List & Hardware List (Box 2)

<p>1</p>  <p>Slats-10pcs</p>	<p>15</p>  <p>Side Pane-1pc</p>	<p>16</p>  <p>Panes-2pcs</p>
<p>17</p>  <p>Pane-1pc</p>	<p>18</p>  <p>Remove Pane-1pc</p>	<p>20</p>  <p>Rails-2pcs</p>
<p>22</p>  <p>Pane-1pc</p>	<p>31</p>  <p>Panes-2pcs</p>	<p>33</p>  <p>Drawer-Front Panels-4pcs</p>
<p>34</p>  <p>Drawer-Back Panels-4pcs</p>	<p>35</p>  <p>Drawer-Side Panels-4pcs</p>	<p>36</p>  <p>Drawer-Side Panels-4pcs</p>
<p>37</p>  <p>Drawer-Bottom Panels-4pcs</p>	<p>39</p>  <p>Pane-1pc</p>	<p>44</p>  <p>Pane-1pc</p>
<p>45</p>  <p>Pane-1pc</p>		

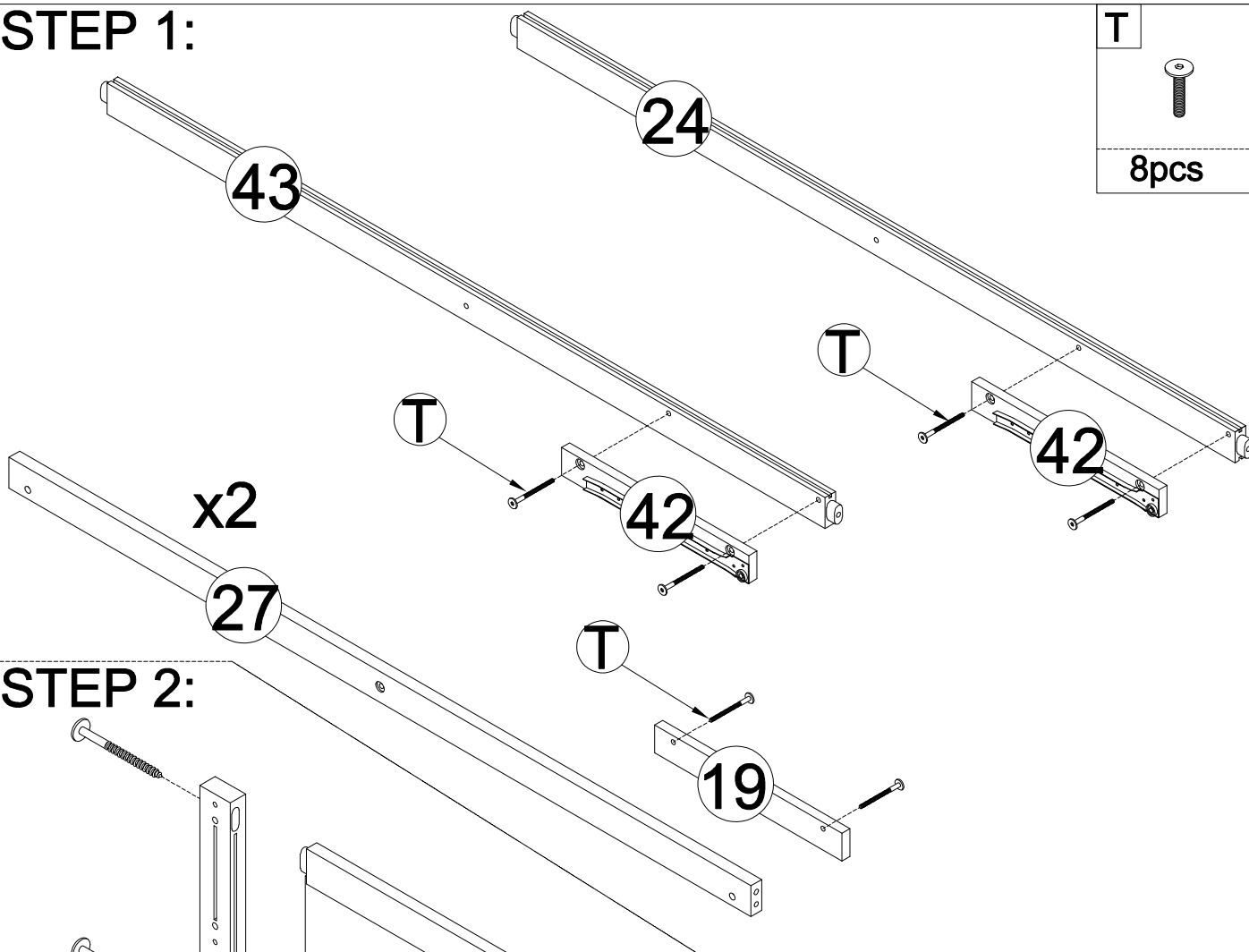
# Hardware List (Box 2)


<p><b>A</b></p>  <p>Ø1/4" x 30 mm Hex-Head bolts 5pcs</p>	<p><b>B</b></p>  <p>Screws 1/4" x80 16pcs</p>	<p><b>C</b></p>  <p>Screws 1/4"x60 12pcs</p>
<p><b>D</b></p>  <p>Ø1/4" x 13 mm Horizontal-Hole bolts 26pcs</p>	<p><b>E</b></p>  <p>Ø8 x 30 mm Wood dowel 10pcs</p>	<p><b>F</b></p>  <p>Screws 1/4" x30 3pcs</p>
<p><b>G</b></p>  <p>Ø10 x 40 mm Wood dowel 8pcs</p>	<p><b>H</b></p>  <p>Screws 1/4"x80 16pcs</p>	<p><b>K</b></p>  <p>Screws 1/4"x50 10pcs</p>
<p><b>L</b></p>  <p>M4 x 15 mm Wood Screws 10pcs</p>	<p><b>M</b></p>  <p>Dowel Remove Shelves 4pcs</p>	<p><b>N</b></p>  <p>M4 x 30 mm Wood Screws 58pcs</p>
<p><b>P</b></p>  <p>Allen Key 1pc</p>	<p><b>Q</b></p>  <p>Steel Bracket 1pc</p>	<p><b>T</b></p>  <p>Ø1/4" x 25 mm Hex-Head bolts 8pcs</p>



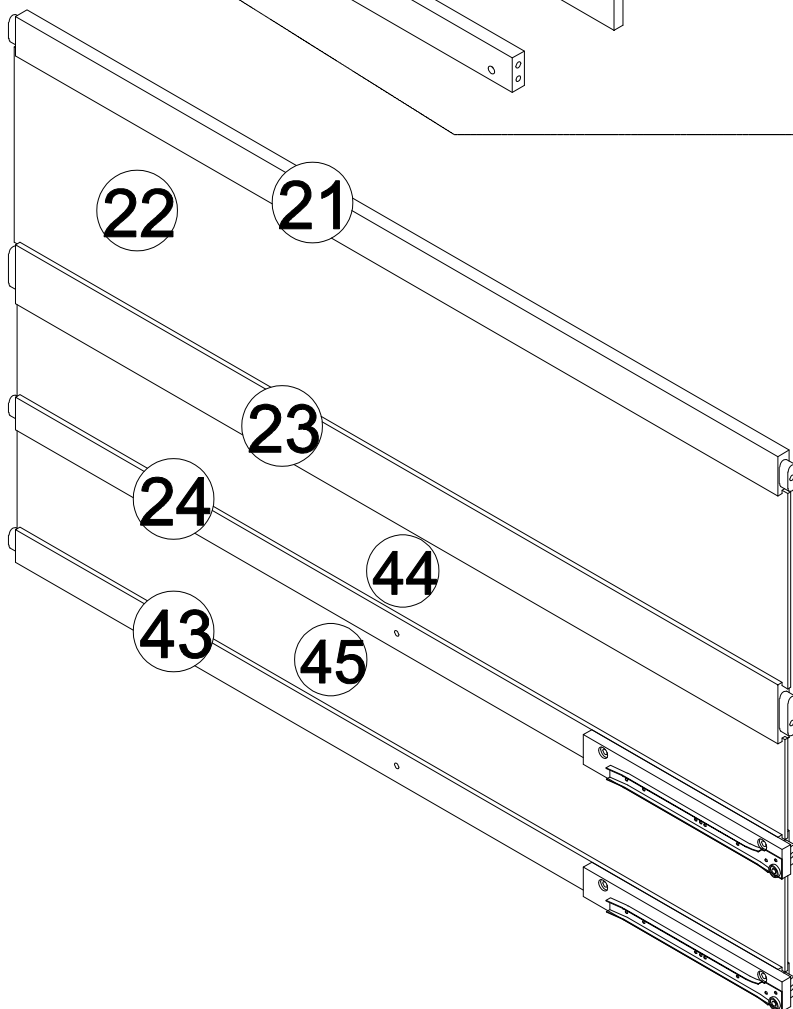
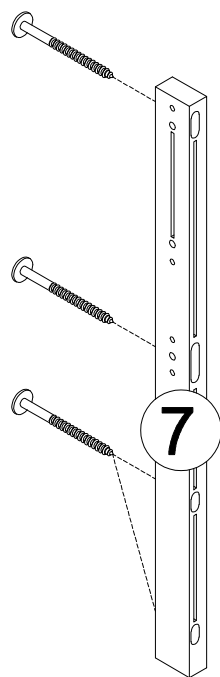
**Assembly Tools Required (Not Included)**

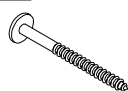
**STEP 1:**

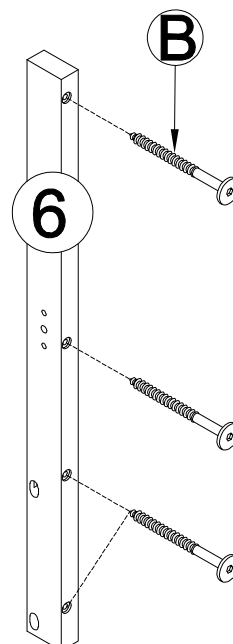


T

8pcs

**STEP 2:**



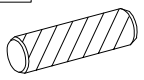


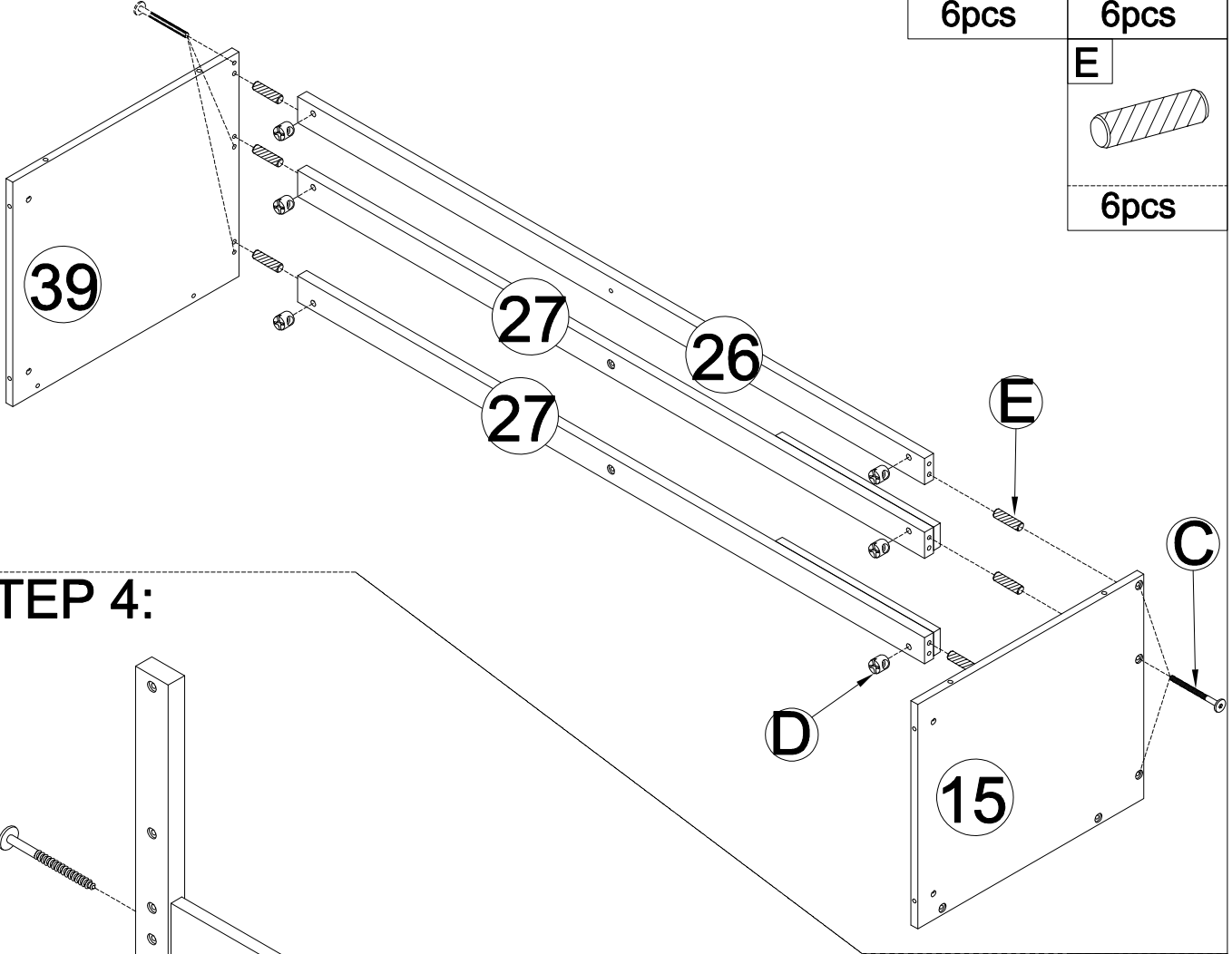
B

8pcs



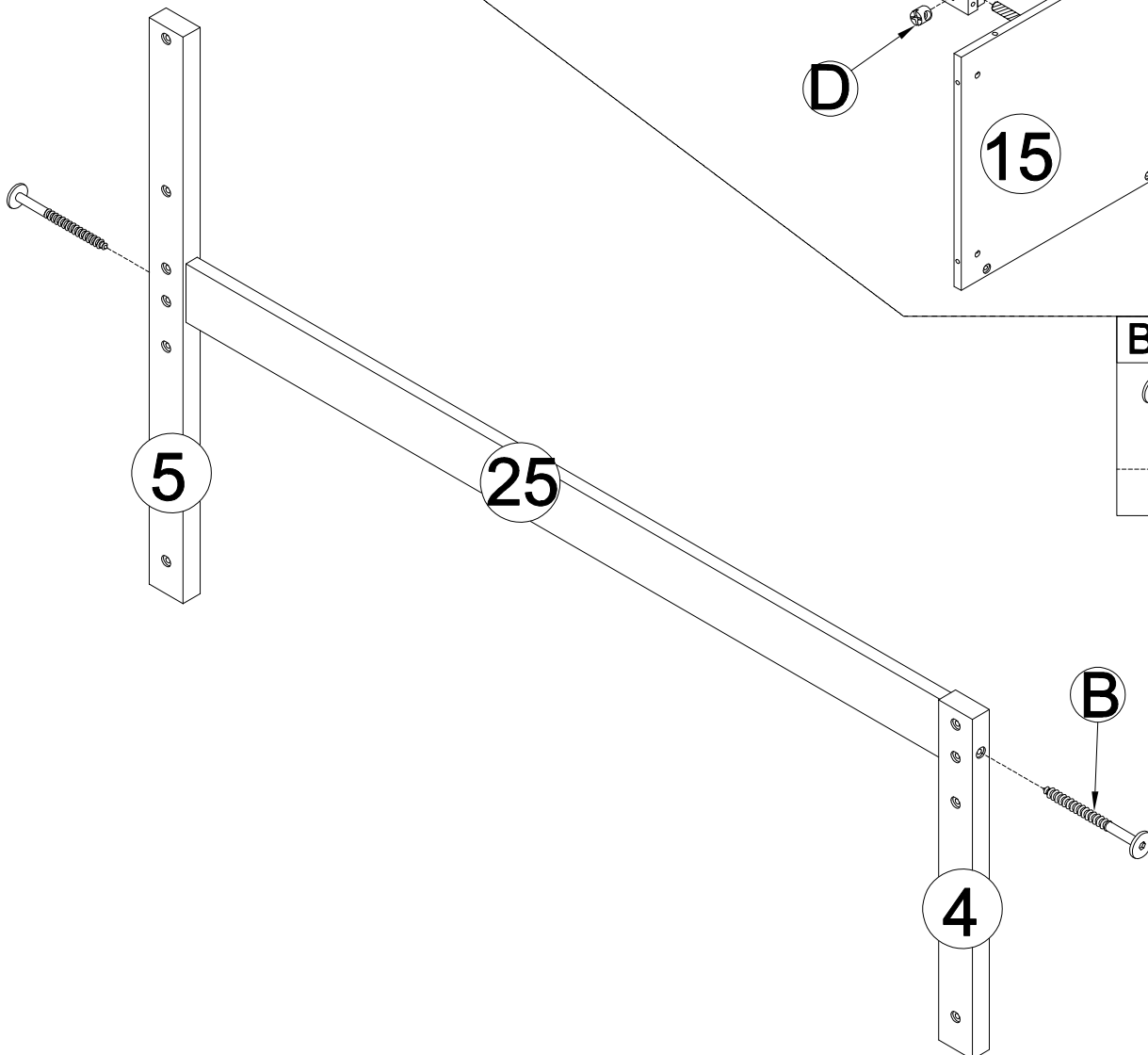
### STEP 3:

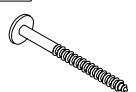
-Using HW #C,#D and Dowel E to connect 26,27(x2) Wood Bars with 15,39 Panes

<b>D</b> 	<b>C</b> 
6pcs	6pcs
<b>E</b> 	
6pcs	



### STEP 4:



<b>B</b> 
2pcs

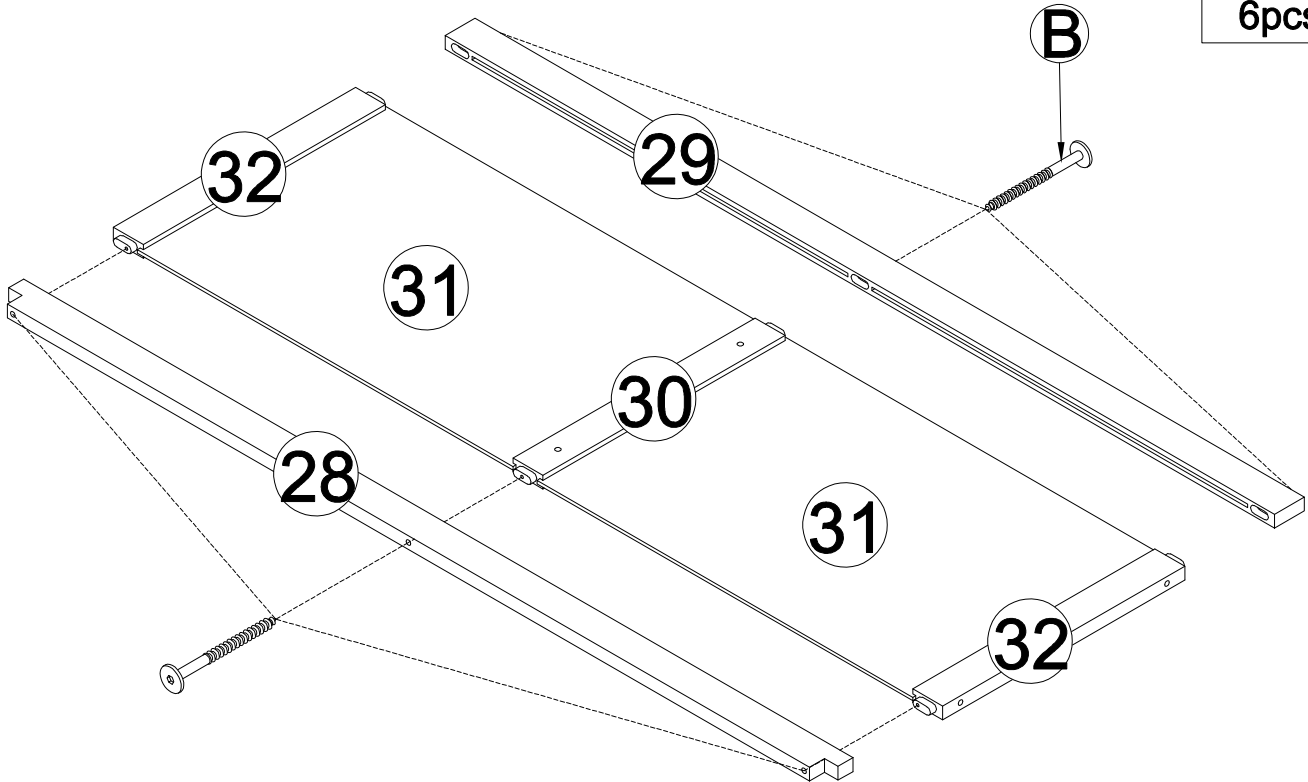
## STEP 5:

-Using HW #B to connect 28,29 Wood Bars with 30,32(x2)  
Wood Bars and 31(x2) Panes

B



6pcs



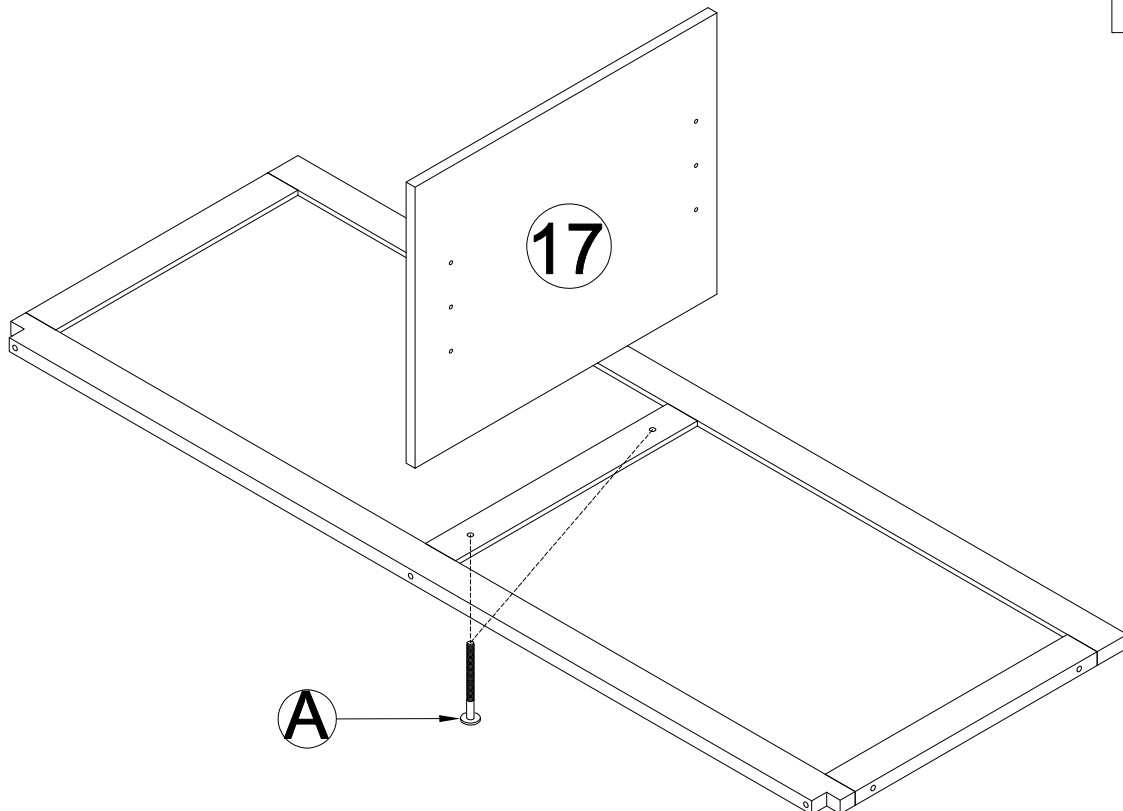
## STEP 6:

-Using HW #A to connect Frame(Completed in step 5) with 17 Pane

A

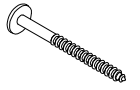


2pcs

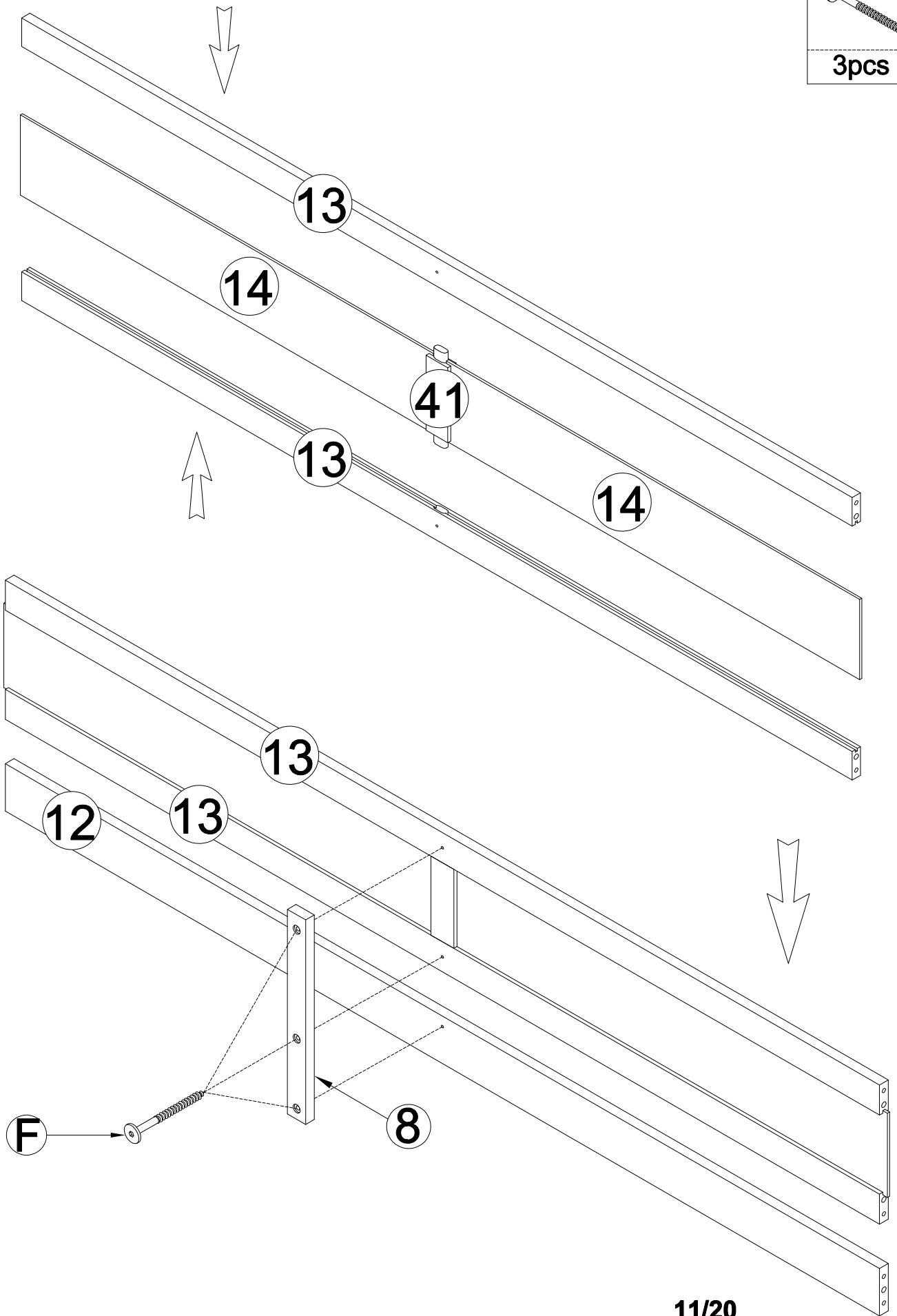


# STEP 7:


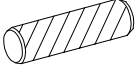



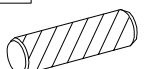

F

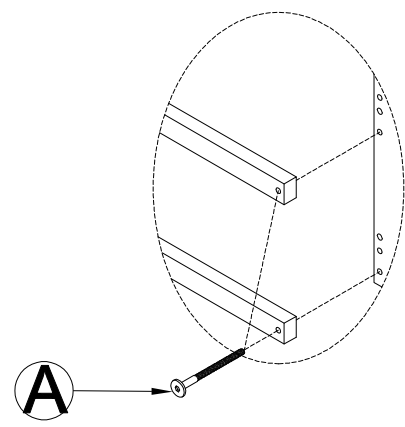
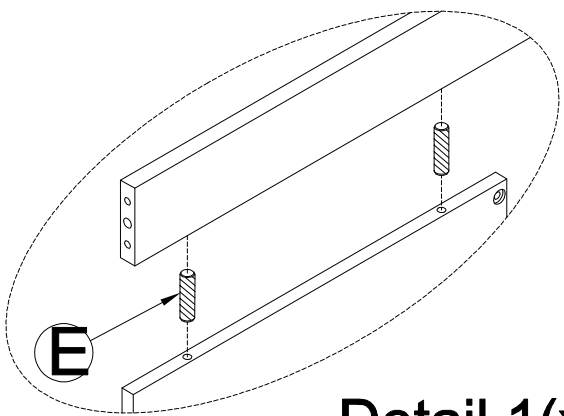
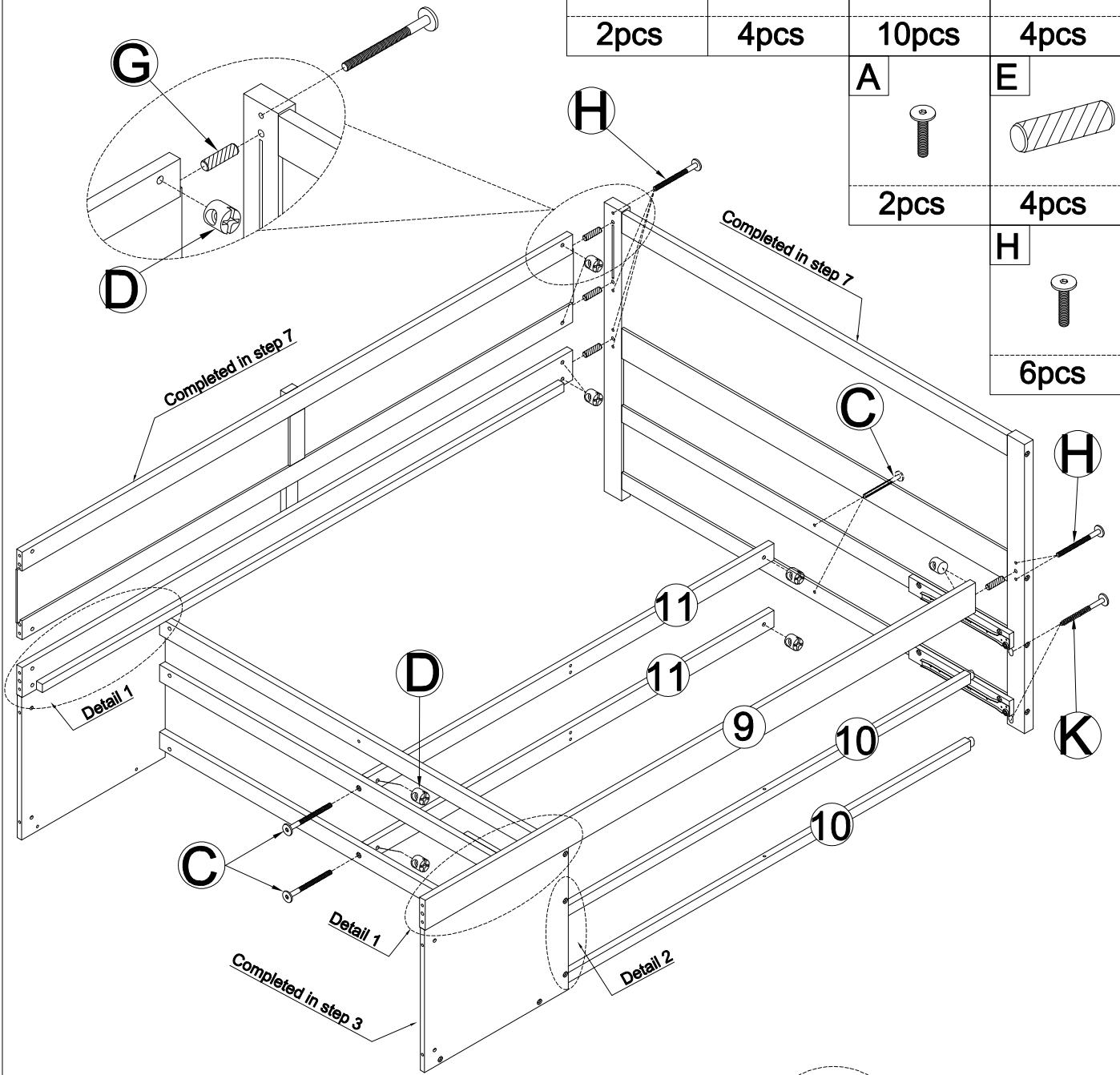


3pcs



# STEP 8:

<b>K</b> 	<b>G</b> 	<b>D</b> 	<b>C</b> 
2pcs	4pcs	10pcs	4pcs
		<b>A</b> 	<b>E</b> 
		2pcs	4pcs
		<b>H</b> 	
		6pcs	


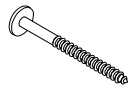


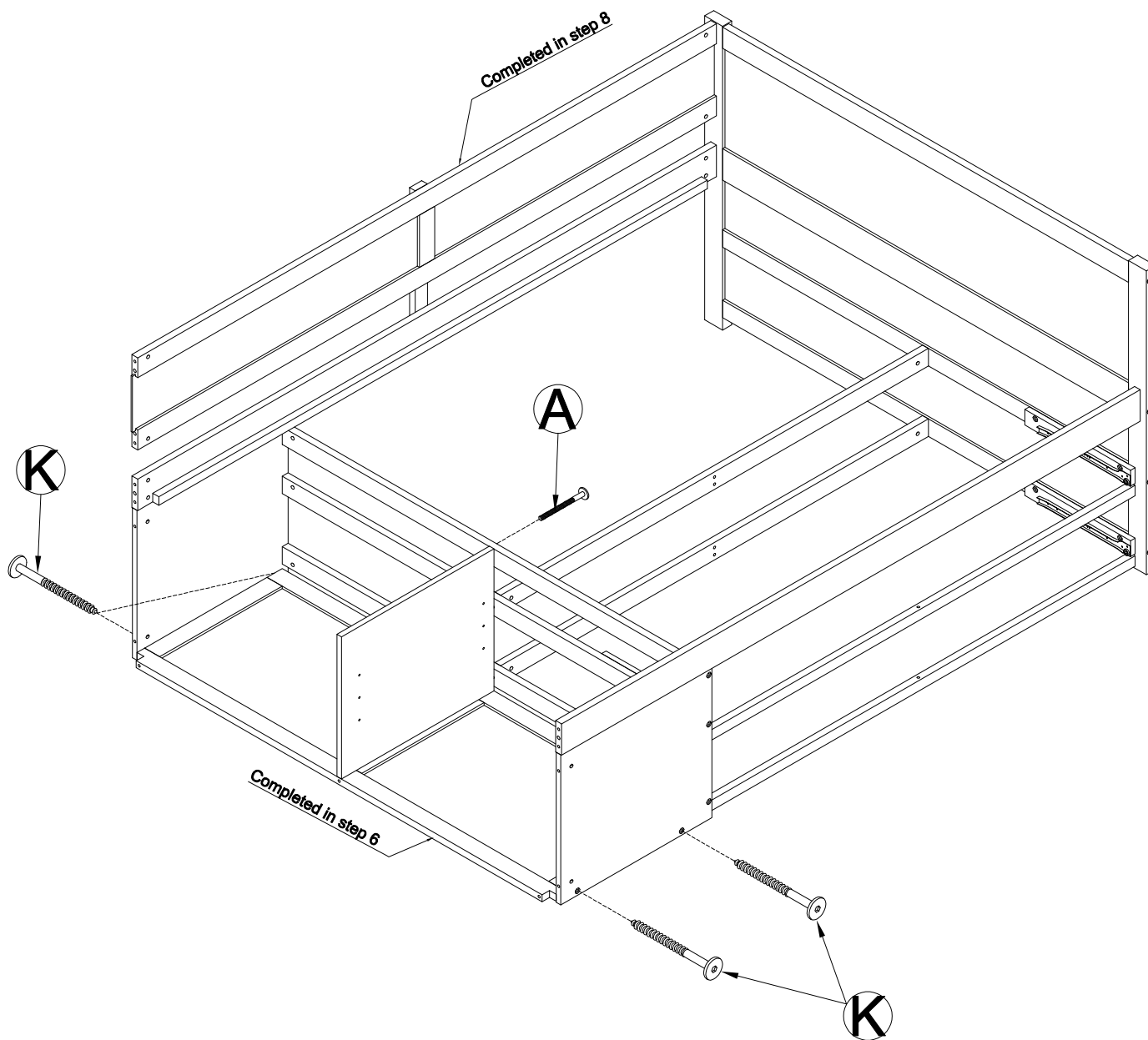
**Detail 1(x2)**

**Detail 2**

# STEP 9:

-Using HW #A,#K to connect Frame(Completed in step 8)  
with Frame(Completed in step 6)

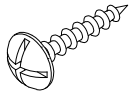
A	K
	
1pc	4pcs



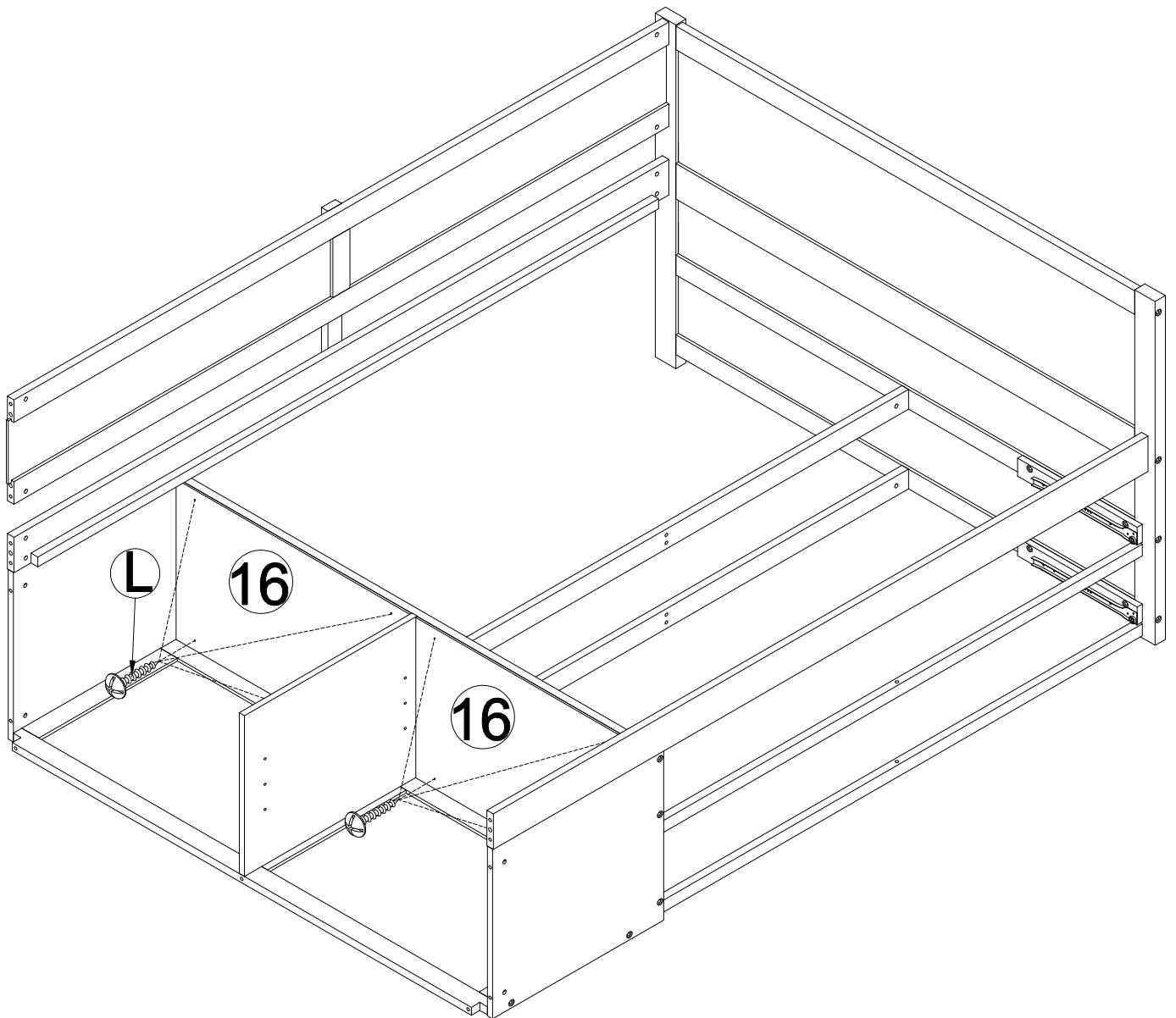
# STEP 10:

-Using HW #L to connect Frame(Completed in step 9) with  
16(x2) Panes

L

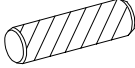
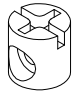



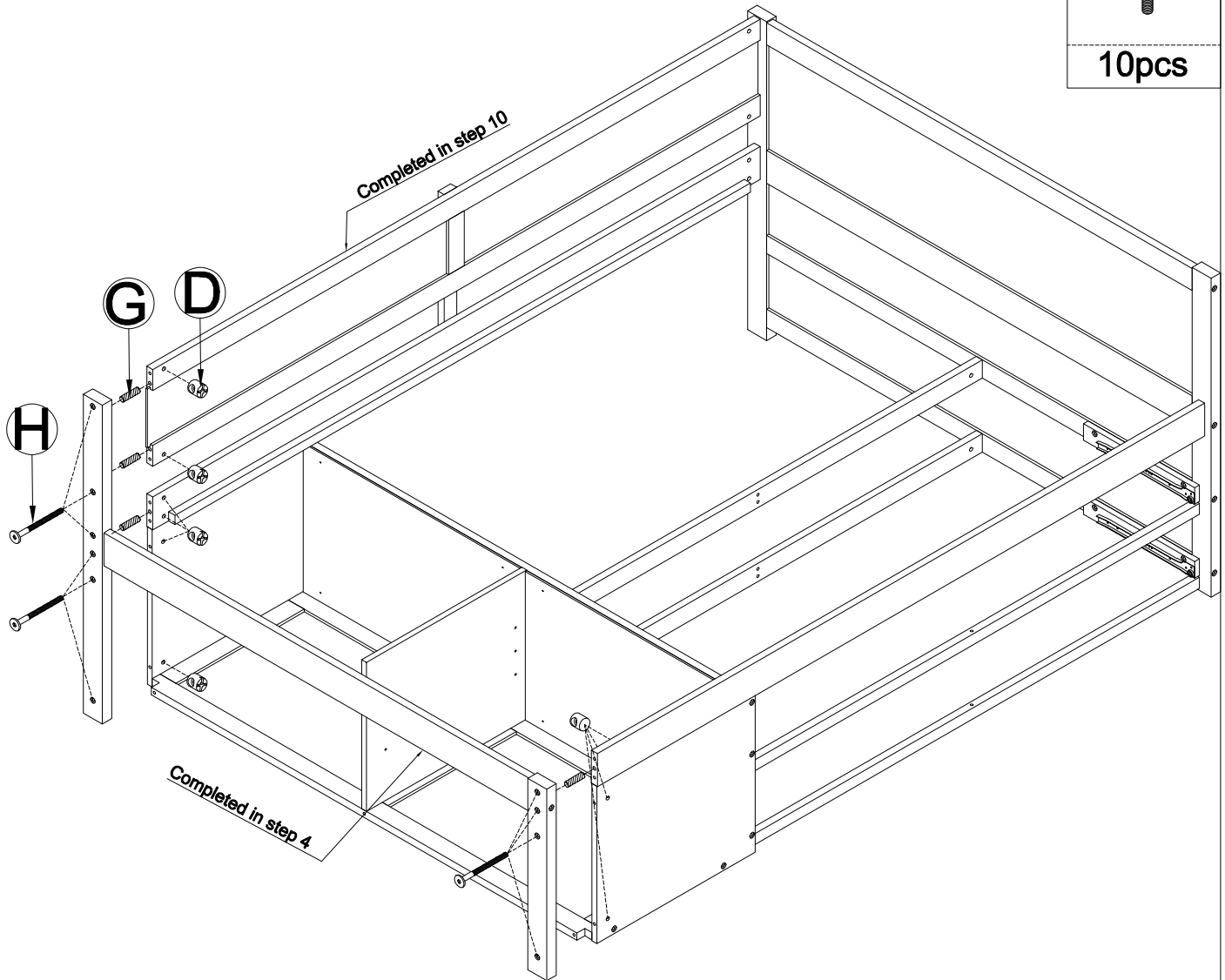
8pcs



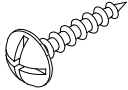
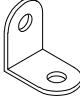
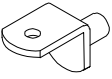
# STEP 11:

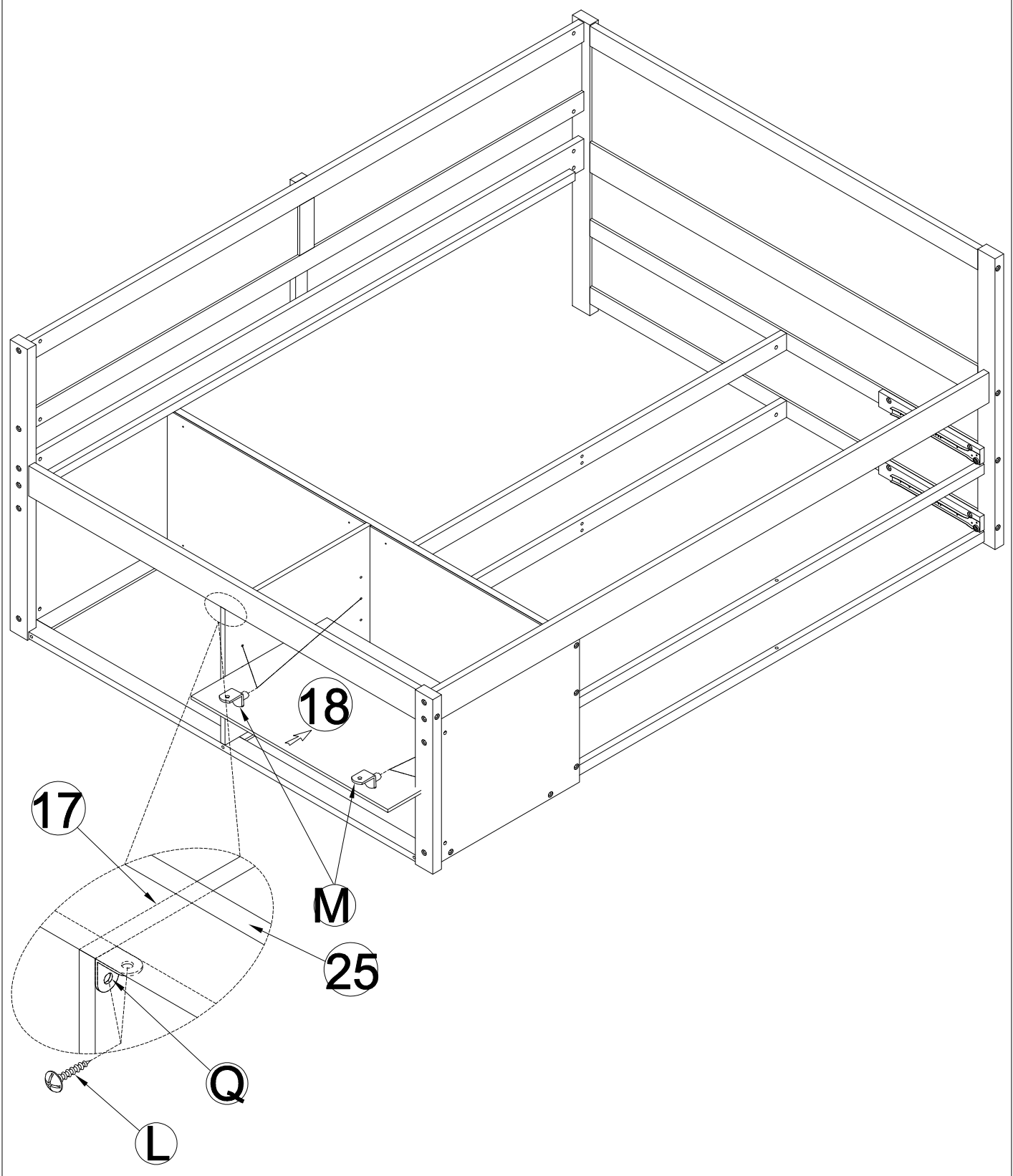
-Using HW #D,#H and Dowel #G to connect  
Frame(Completed in step 10) with  
Frame(Completed in step 4)

<b>G</b> 	<b>D</b> 
4pcs	10pcs
<b>H</b> 	
10pcs	



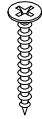


# STEP 12:

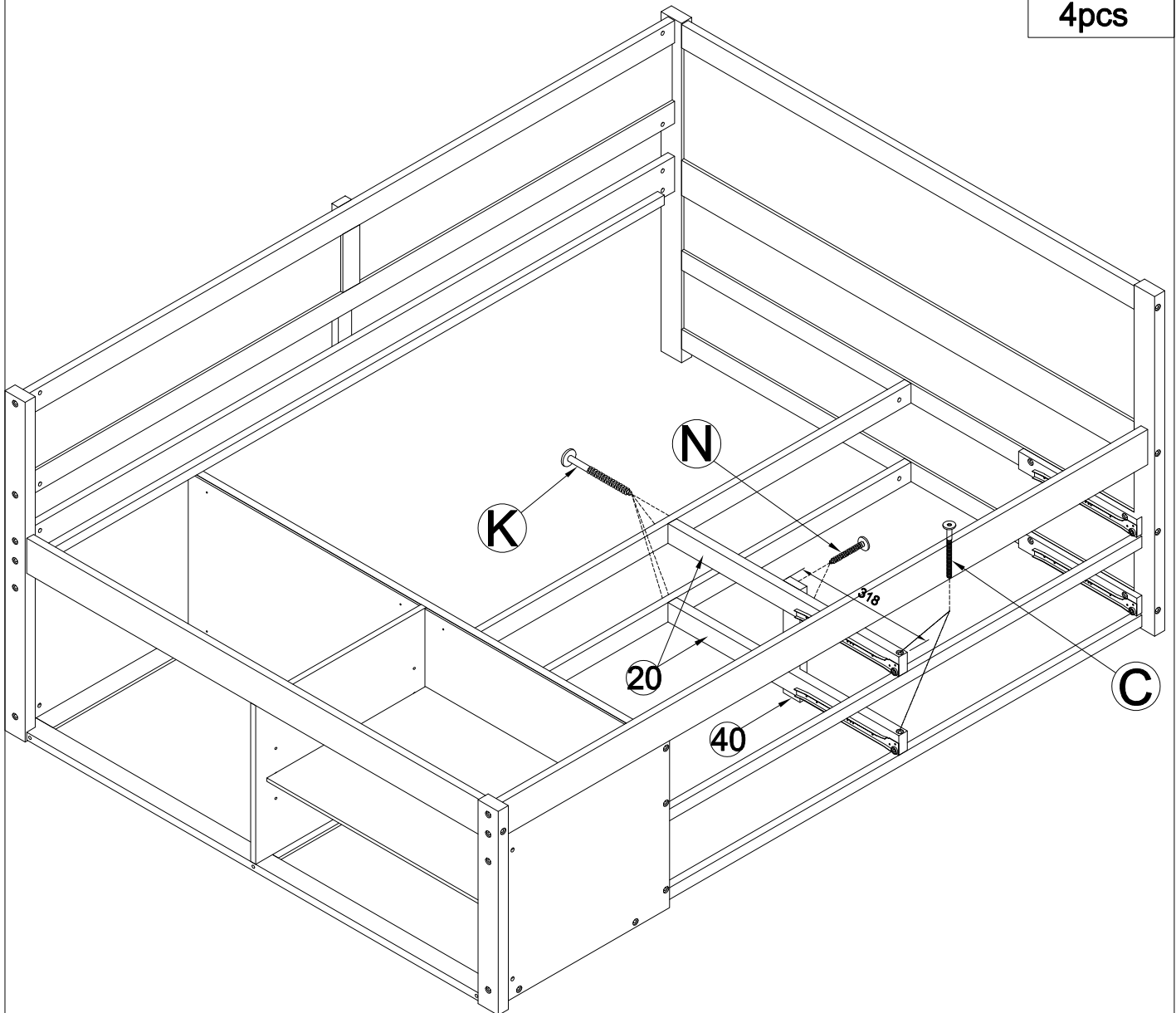
<b>L</b>	<b>Q</b>	<b>M</b>
		
2pcs	1pc	4pcs



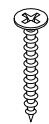
# STEP 13:

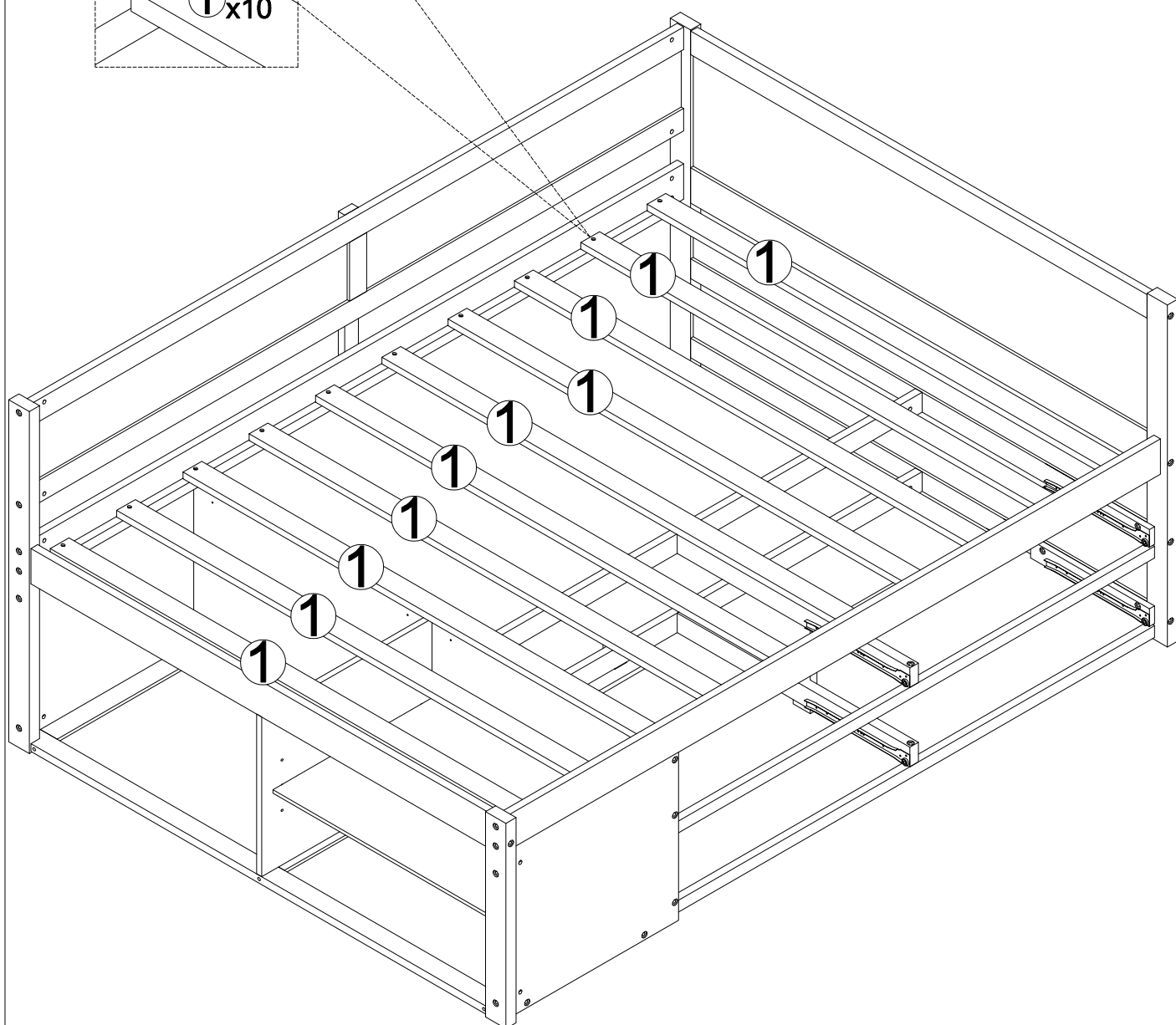
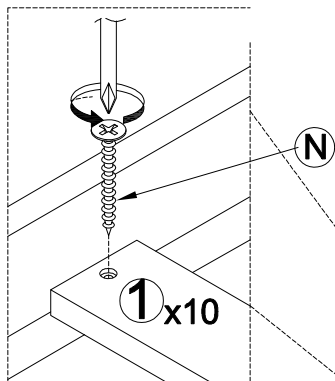
-Using HW #C,#K,#N to connect Frame(Completed in step 12) with 20(x2),40 Rails

N 	C 
2pcs	2pcs
K 	
4pcs	

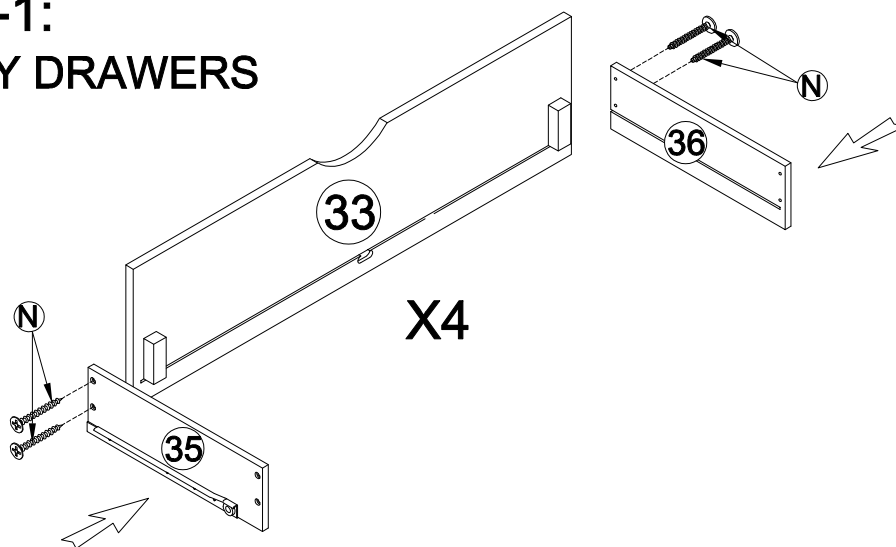



# STEP 14:

N	
20pcs	

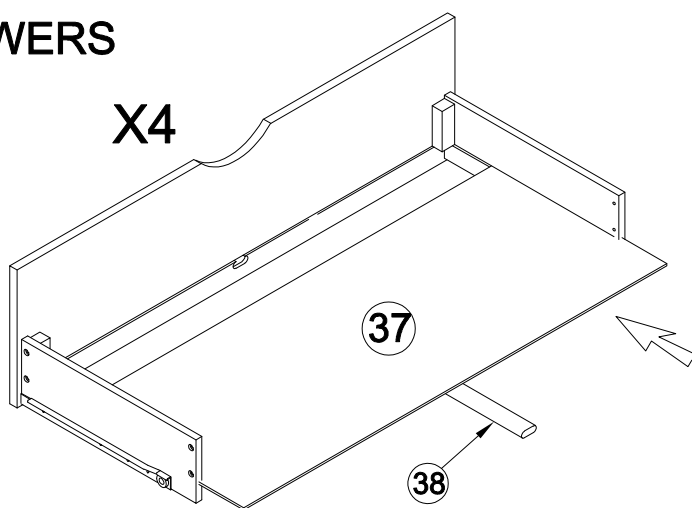


### STEP 15-1: ASSEMBLY DRAWERS

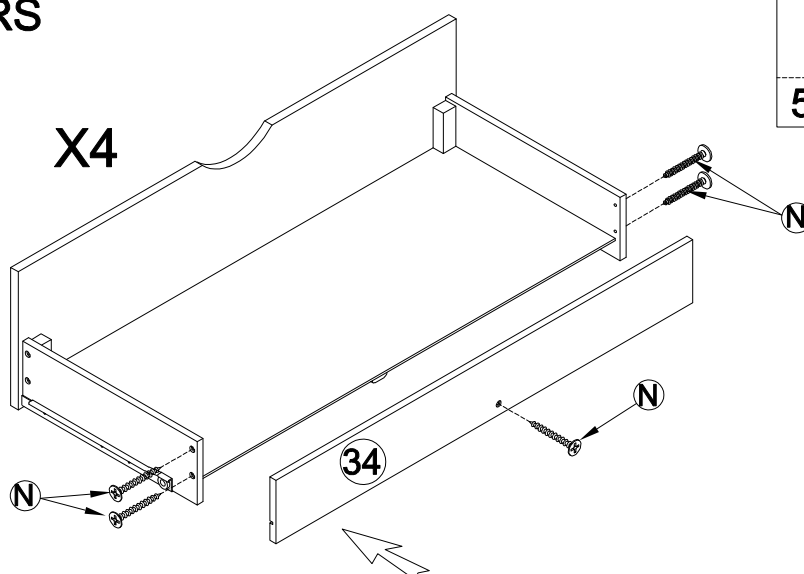



N  
  
4x4(pcs)

### STEP 15-2: ASSEMBLY DRAWERS



### STEP 15-3: ASSEMBLY DRAWERS



N  
  
5x4(pcs)

CONGRARULATION YOU HAVE COMPLETED THE BED  
-Push 4 Drawer into position

