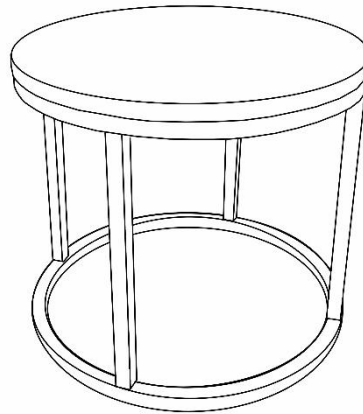


# Assembly Instructions

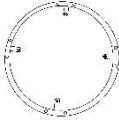

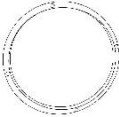
**Caution : You must read this before you proceed.**

## Coffee Table






**CAUTION : This table is NOT a TOY.  
Keep your child / children at bay during the assembly process.**

### Parts List

No.	Picture	Description	Qty
D		Table Top	1
E		Support Bar	4
F		Base Ring	1

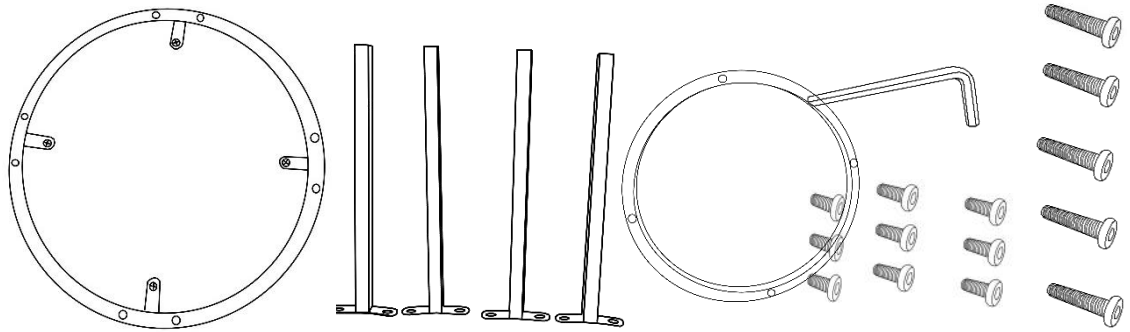
### Hardware

Label	Picture	Description	QTY
④		Bolt(M6*12mm)	9

⑤		Bolt(M6*35mm)	5
⑥		Allen Key	1

## Assembly Preparation

Before Beginning Assembly:



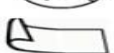
- Read instructions, cover to cover-



- Have 2 adults on hand for assembly-



- Do not assemble on flooring or carpet-



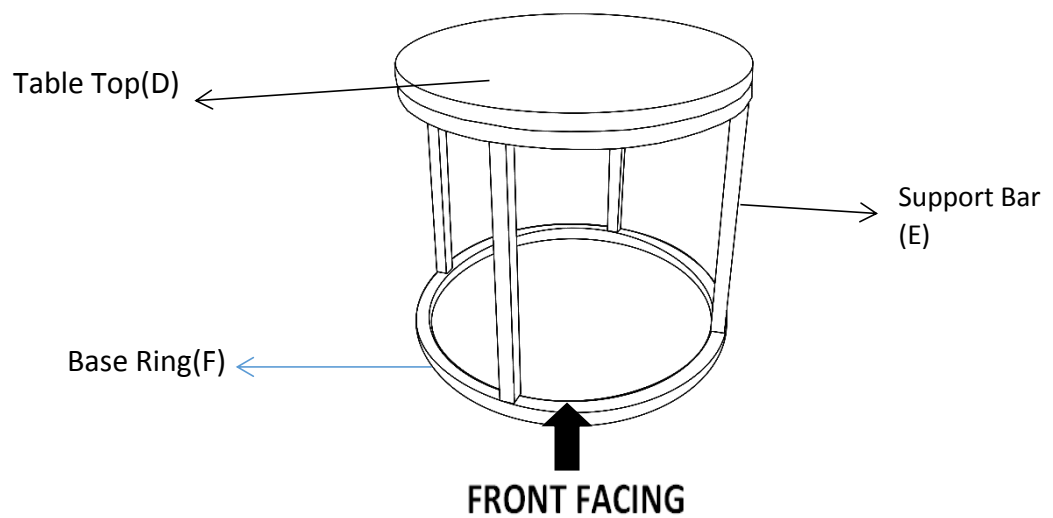
- Assemble on a clean non-marring surface (packing foam)-



- Save all packaging until finished-

## Assembly Steps

### Overview

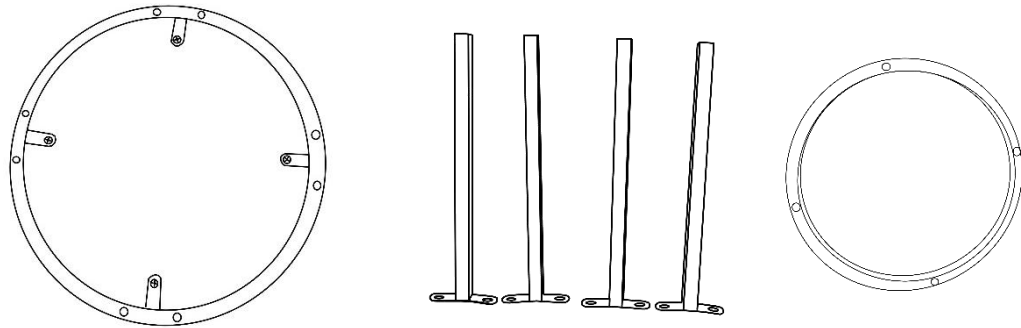


This Coffee Table has multiple parts and may require up to some 30 minutes to assemble.

To give you an overview of the Coffee Table parts, the above picture is to help you put the various parts into perspective.

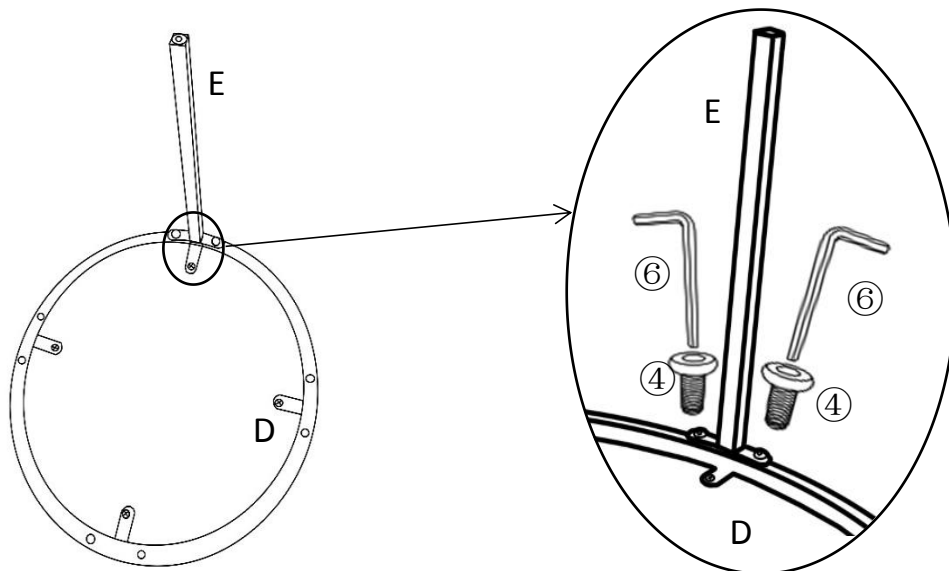
Please read through the instructions below to familiarise yourself with the parts and steps before assembly.

## Step 1



Unpack and place all parts on a clean, non-marring surface.

## Step 2

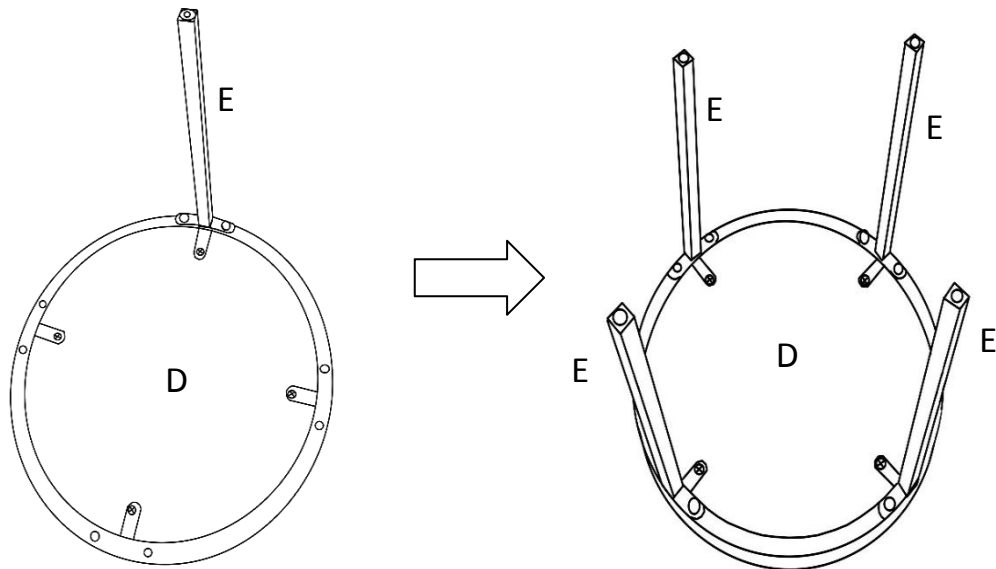


Place Table Top(D) facedown on non-marring surface.

Loosely attach Leg(E) to Table Top(D), using Bolt(4) with Allen Key(6)

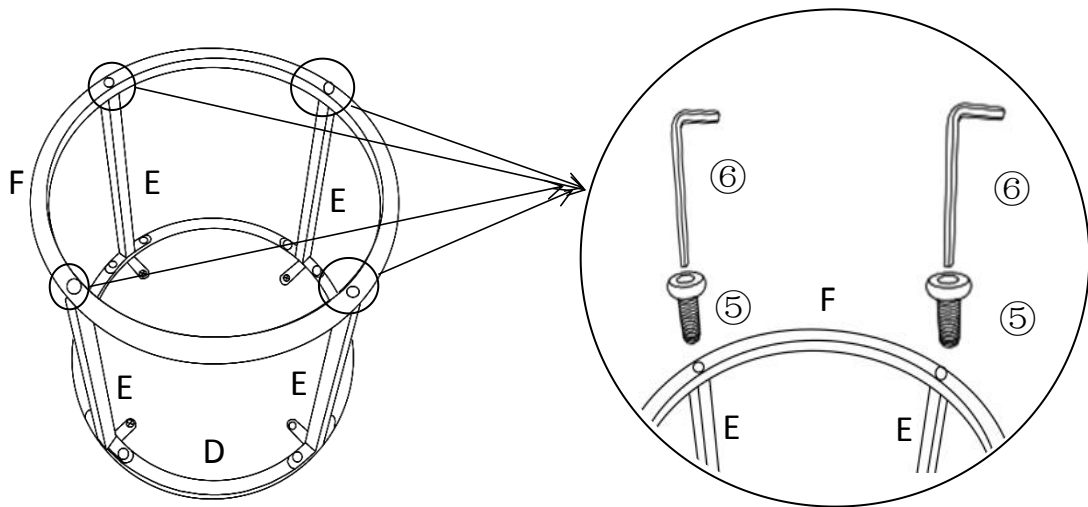
**Loosely tighten the Bolts.**

### Step 3



Repeat Step 2 to install the remaining legs.  
**Loosely tighten the Bolts.**

### Step 4

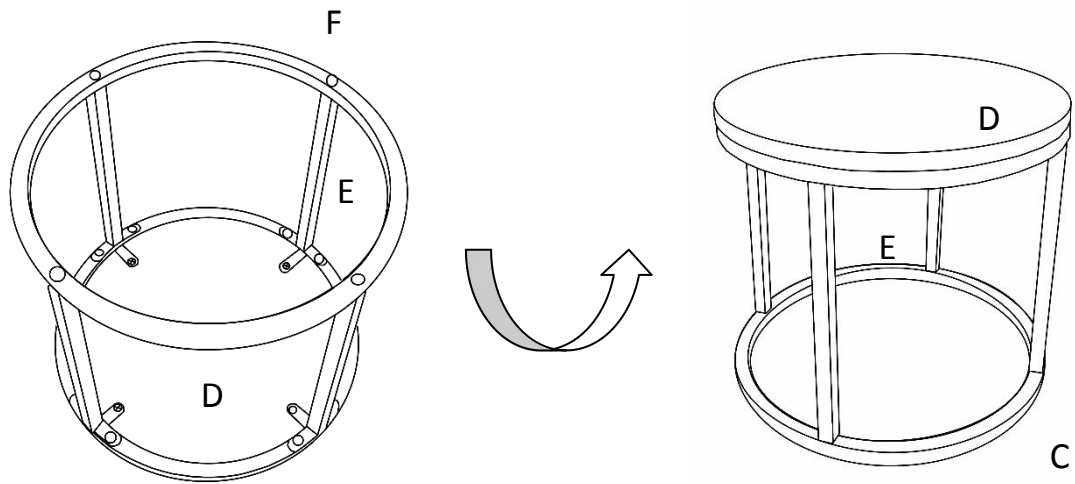


Place the Base(F) into the Legs(E), using Bolt(⑤) with Allen Key(⑥) as shown in picture.

PS:Please straighten the legs of the table to the hole by your hand,If you find that the screw hole position is staggered

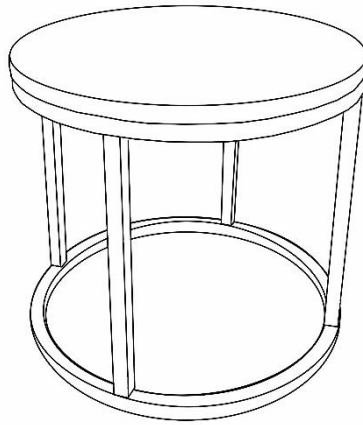
**Tighten all nuts.**

## Step 5



Turn the Side Table right side up.

## Step 6



Your Table is now ready for use.

Caution: This Table can only be used on a flat, level surface.

## Care & Maintenance



- Do not put hot items directly on furniture surface



- Do not clean furniture with harsh cleansers or polish.



- Do not place furniture under direct sunlight.



- Do not place furniture near heating or cooling vents.



- Do not write on furniture without a padded barrier to protect the surface.



- Do not place furniture outside . For indoor use only .



- Not for commercial use. For residential use only .



- Stains may be removed with mild soap solution and damp cloth.



- Children should not climb or jump on the furniture.



- Dust and pick-up spills using a clean, non-colored, lint-free cloth .