













Assembly Instructions

CS034AF61D

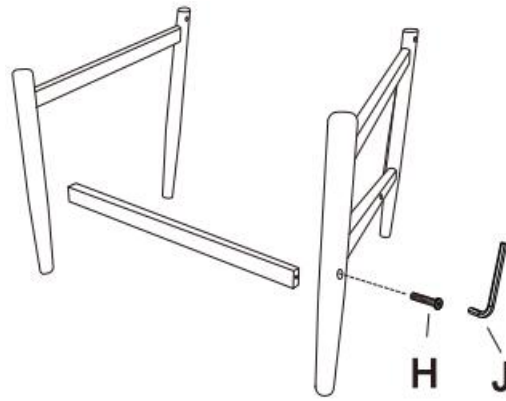
Your chair comes packaged in 1 box. Carefully removed all of components from the packaging and set aside for assembly.

CAUTION:
DO NOT use any sharp objects to open plastic wrapped components as damage to product or components may result.

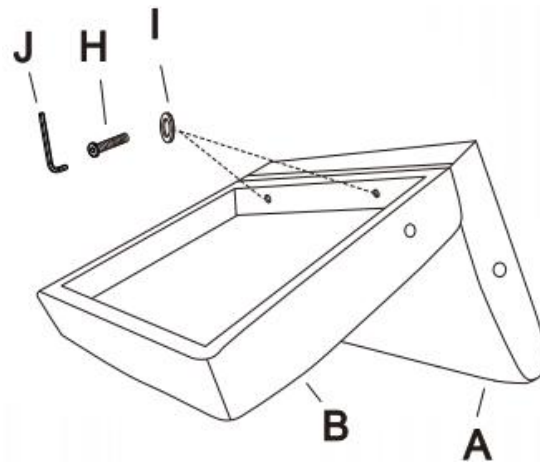
Package Contents

A×1 	B×1 	C×1 	D×1 
Chair Back	Chair Seat	Support Plate	Right Frame
E x 1 	F×1 	G×1 	H x 8 
Left Frame	Left Armrest Cover	Right Armrest Cover	Crews
I x 2 	J x 1 	K x 4 	L x 6 
Gasket	Assembly Tool	Footpad	Cover

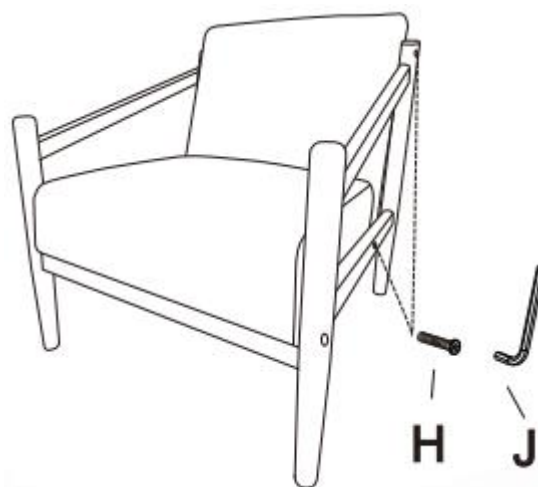
Step 1 Please fix the support plate to the frame. (Note: Tighten the screws by 70%)



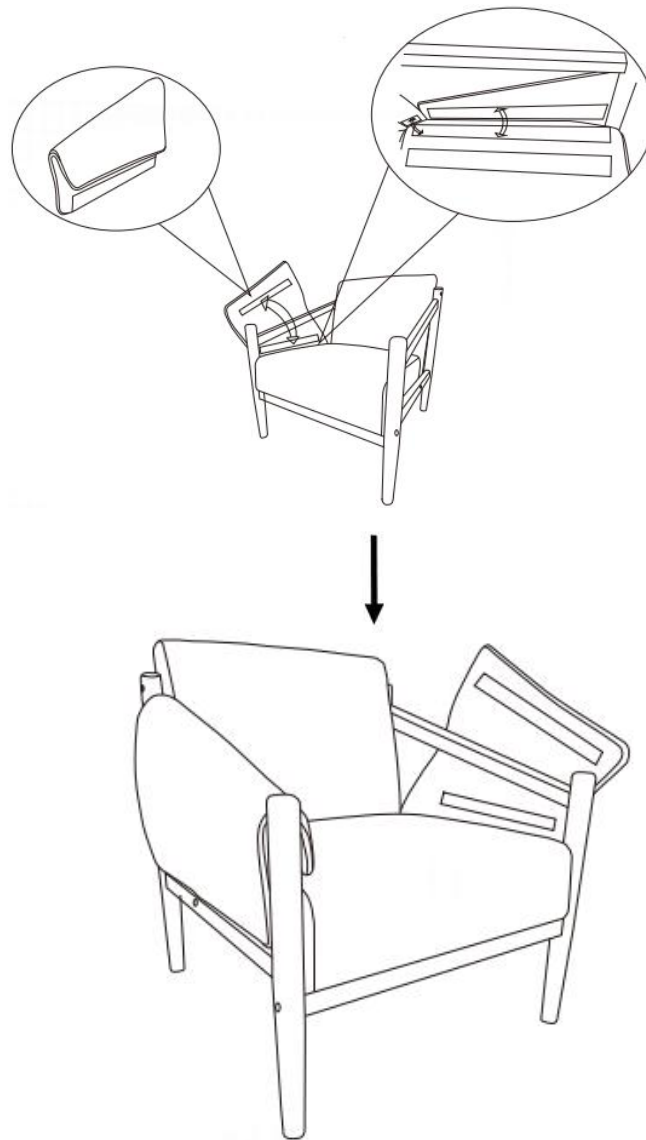
Step 2 Assemble the backrest and seat cushion. (Note: Tighten the screws by 70%)



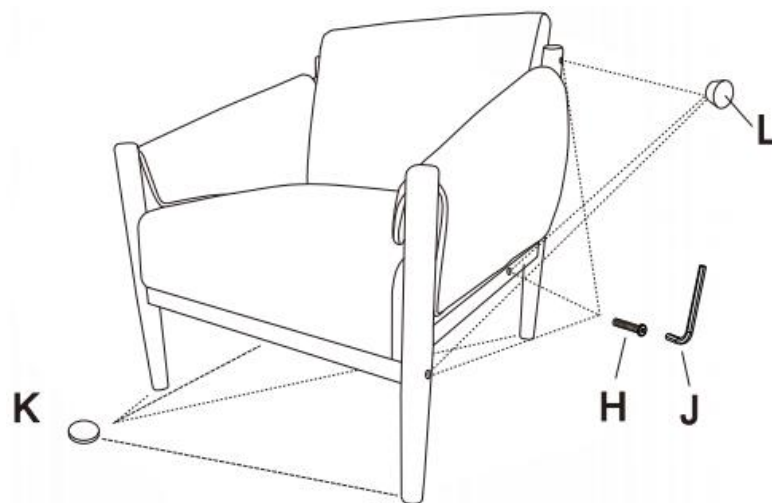
Step 3 Fasten the back and seat to the frame. (Note: Tighten the screws by 70%)



Step 4 Fasten the arm cover to the armrest with velcro.



Step 5 Attach foot pads and cover. (Note: Tighten the screws by 100%)



Warnings

1. Please check if the components of the chair are all included and can be used normally.
2. Please DO NOT sit on the armrests and footrest to eliminate the risk of tipping over.
3. Never sit on the footrest when it is open, even a child.
4. If the sofa is damaged or doesn't match the website product, please send clear pictures of the product and label of the carton to our service team, and we'll help you to solve the problem.
5. If the chair still doesn't work, please feed the information back to the customer service in time. We will help solve the problem for you as soon as possible.
6. If you have any questions with the product, please contact us by:

Email: customerservice@zoy-living.com (we will reply to you within 24 hours)

