

CARE AND MAINTENANCE

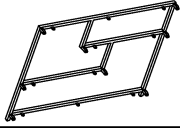
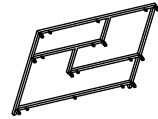






Wipe clean with a soft, dry cloth. Test the cleaning method on a hidden area before using them over the entire area.

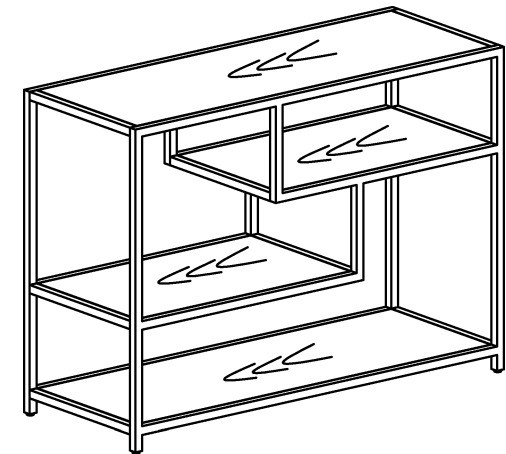
NOTICE

- * Please make sure that you have all parts indicated before you begin assembly of this item.
- * This item should be assembled on a soft surface to prevent scratching the finished product during assembly.
- * This item may require periodic tightening.
- * Do not tighten bolts until completely assembled.

Product Dimensions: 42"Wx16"Dx30-1/4"H

Part List and Hardware List

PIECE	DESCRIPTION	PICTURE	QUANTITY
A	Front Side Frame		1x
B	Back Side Frame		1x
C	Connecting Bar		8x
D	Top / Bottom Shelf		2x
E	Middle Shelf		2x
HW1	Hex Socket Bolt	 1/4"-20x5/8"	16x
HW2	Allen Key	 M4	1x
HW3	Wood Screw	 ϕ 8x15mm	20x



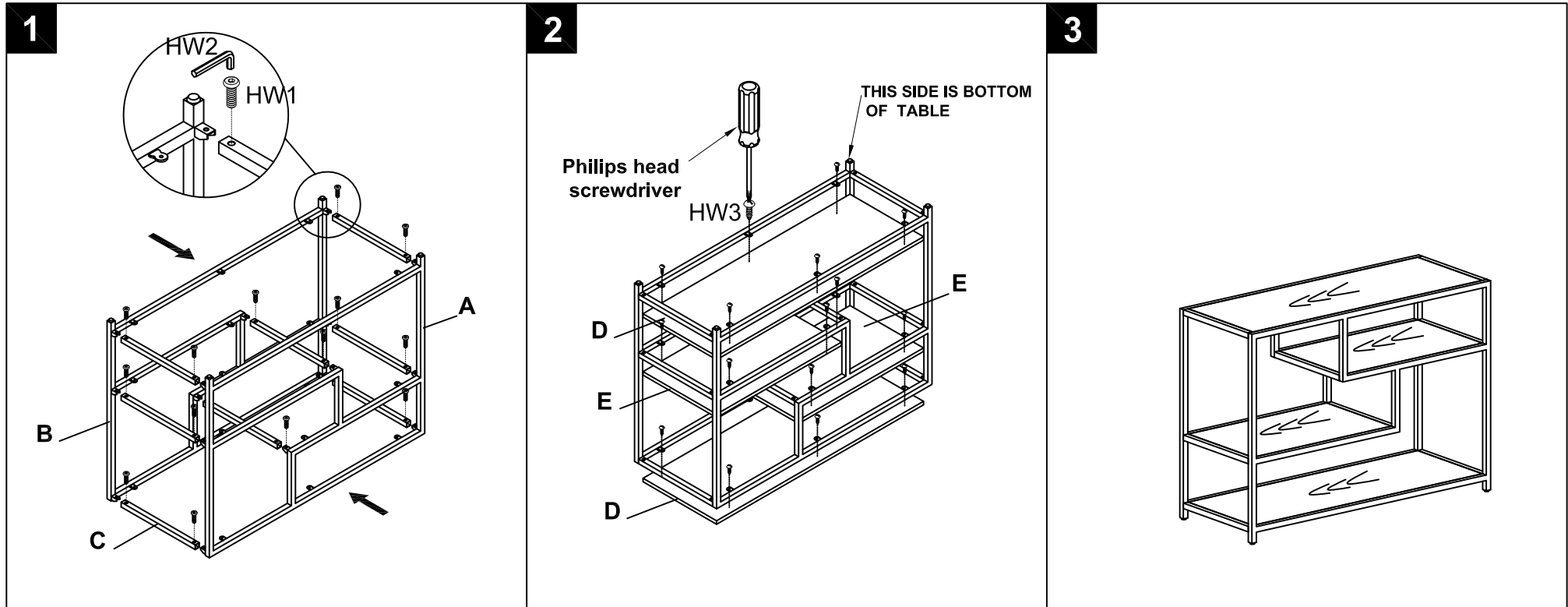
Weight capacity : 25 lbs
WARNING : DO NOT STAND ON TABLE

PREPARATION

Before beginning assembly of product, make sure all parts are present. Compare parts with package contents list and hardware contents list. If any part is missing or damaged, do not attempt to assemble the product.

Estimated Assembly Time: 30 minutes.

Tools Required for Assembly : Allen Key (included) and Philips head screwdriver (not included)



Step 1

Attach 8*connecting bars (C) to Front side frame (A) and Back side frame (B), Use Allen Key (HW2) to lock 16*Hex Socket Bolt (HW1), as picture.

Step 2

Attach underneath of 2*top/bottom shelf (D) and 2*middle shelf (E) in the corresponding position on the assembled table frame (as step 1), Use Philips head screwdriver (tool is not included) to lock 20*Wood Screws (HW3) on the 4 shelves, as picture.

Step 3

Straighten up the assembled product, assembly is completed.