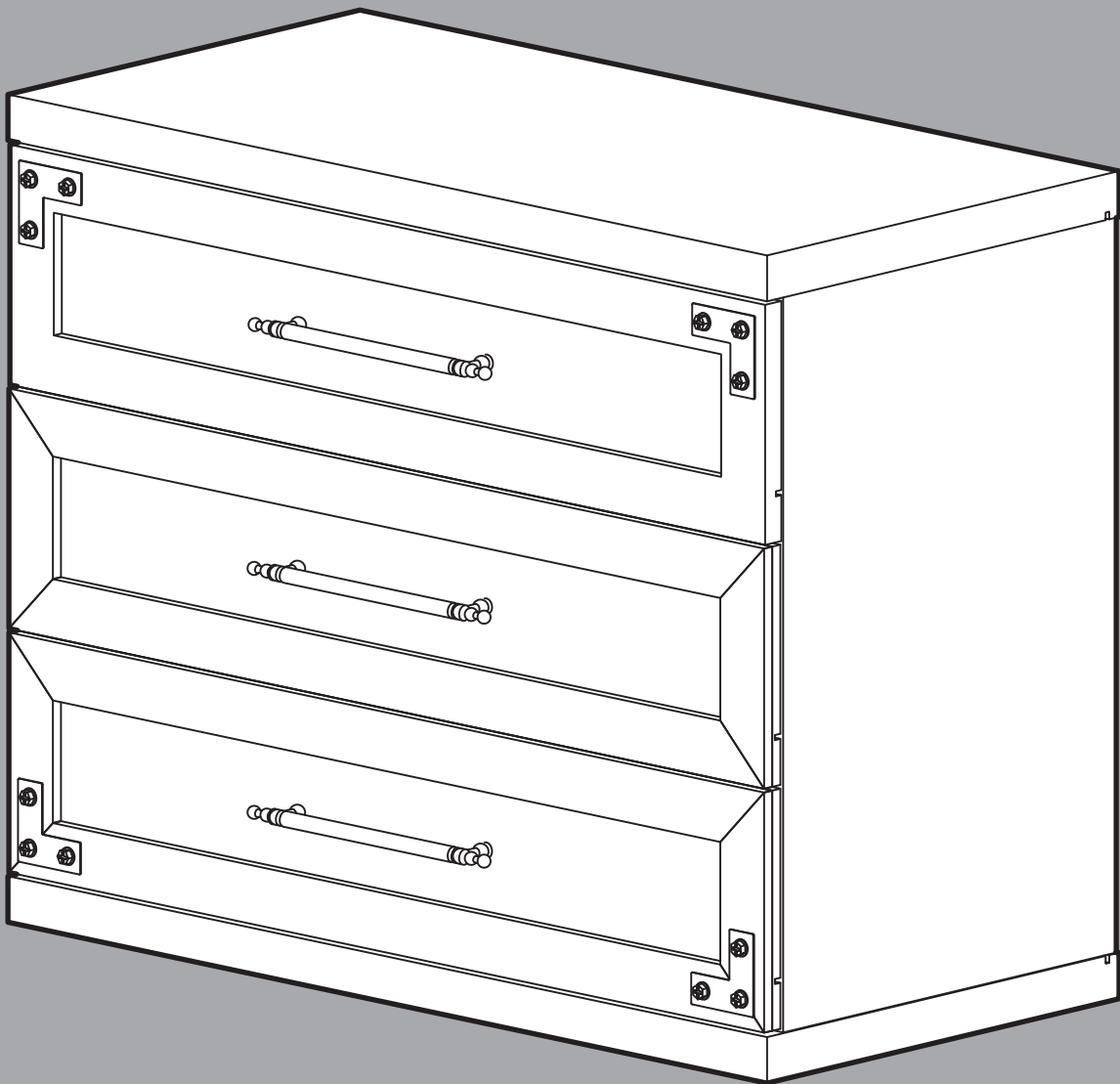


SICOTAS

ND121A2HLTY1435 | ND121A1HLTY1436 | ND121A2HWTY1437 | ND121A2HDKY1438



Willow Collection

Assembly Instructions

Before beginning the assembly process, please read and save these instructions for reference. Following these guidelines will ensure a smooth and successful assembly of your product.

1. Part Identification:

Carefully separate and identify all the parts included in your package. Confirm that you have all the components listed in the instruction manual. This step will help you avoid any missing or misplaced parts during assembly.

2. Work Surface:

To prevent any scratches or damage to the product, assemble it on a soft mat or a similar protective surface. This will provide a cushioned area for the components and protect the surfaces from unwanted marks.

3. Step-by-Step Assembly:

Follow the assembly instructions provided, proceeding one step at a time. Take care to understand each step properly before proceeding to the next one. This sequential approach ensures that the assembly is done correctly and minimizes the chance of errors.

4. Proper Screw Seating:

When attaching screws and nuts, it is essential not to fully tighten them until all screws are correctly seated. By partially tightening each screw and nut initially, you can ensure that they are aligned properly and fit securely before final tightening.

5. Avoid Over-Tightening:

While each screw and nut should be tightened correctly, it is crucial not to over-tighten them. Over-tightening can cause damage to the product or compromise its structural integrity. Use the appropriate amount of force to secure the components without excessive tightening.

SICOTAS customer help center:

If you encounter any questions or problems during the assembly process, please do not hesitate to contact us.

We strive to provide excellent customer support and will respond to your inquiries within 24 hours. Our team will offer you a suitable solution to address any concerns you may have.



Email:
service@sicotas.com



Website:
www.sicotas.com



Phone:
(833) 742-6827



Official Website:



WhatsApp:



YouTube:



Instagram:

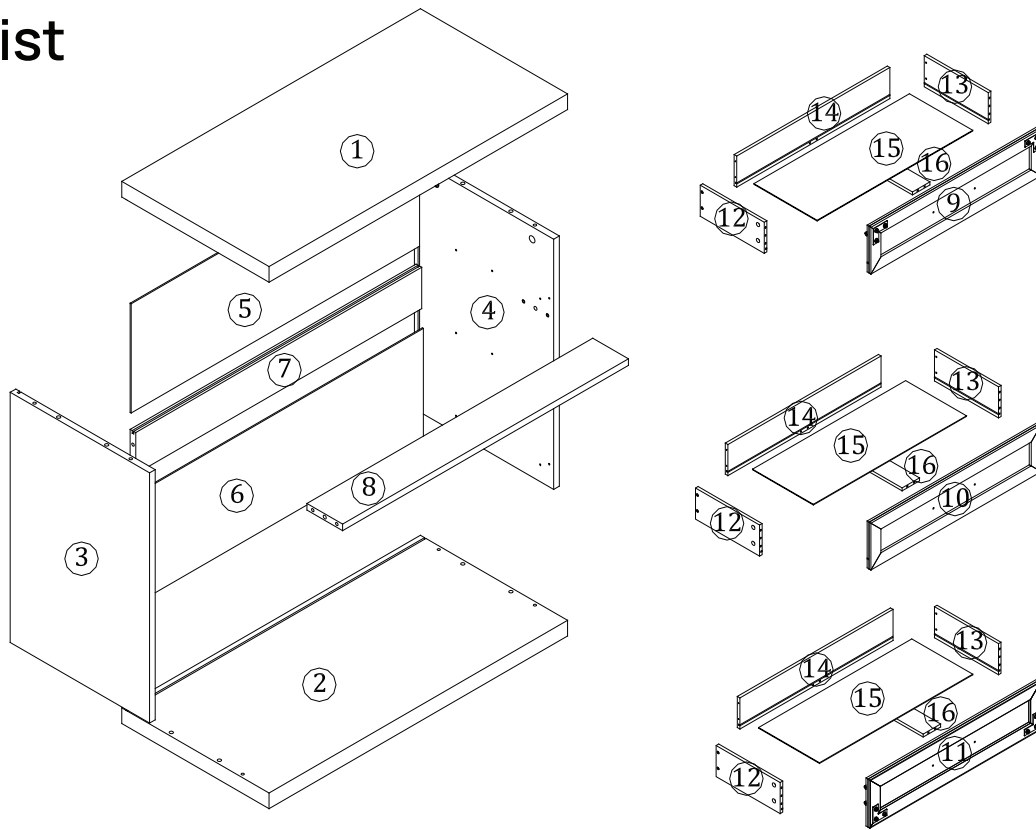


Facebook:

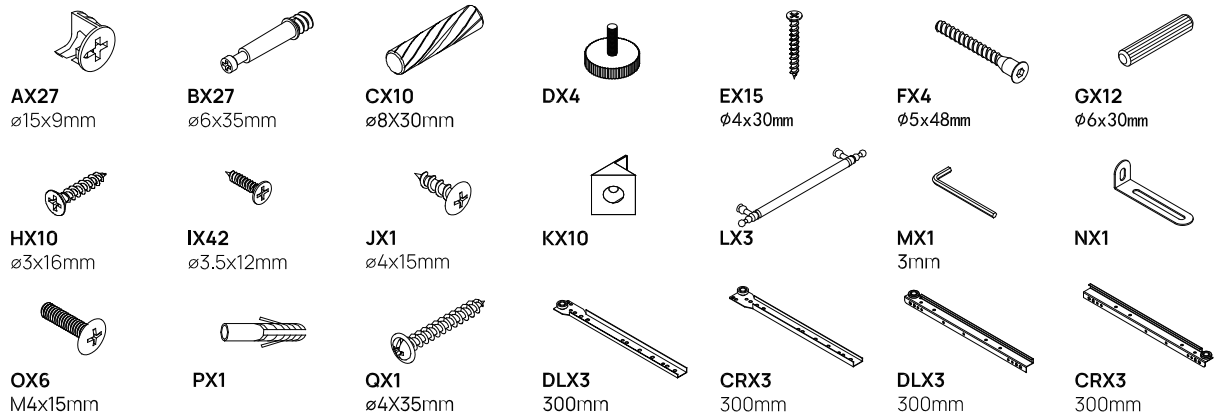


TikTok:

Parts List



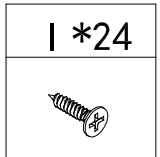
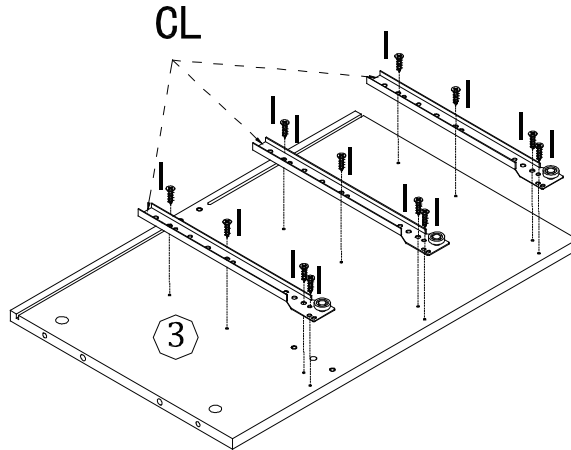
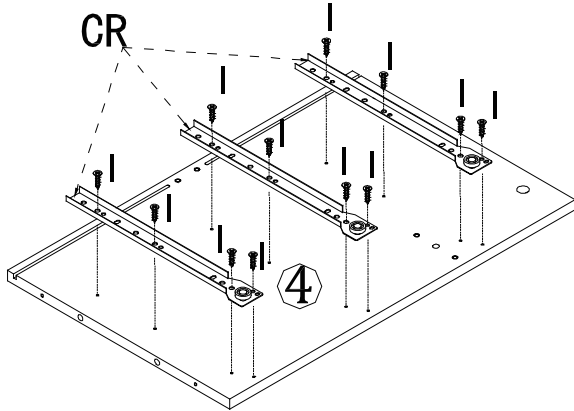
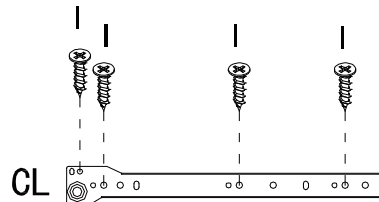
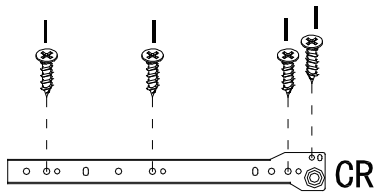
Hardware List



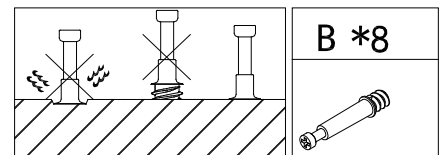
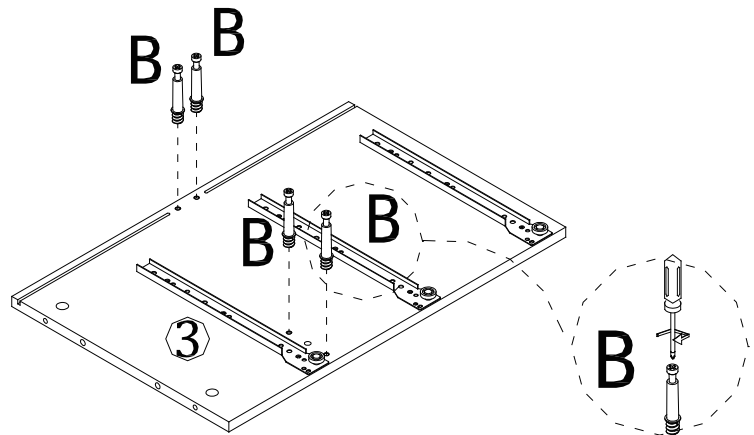
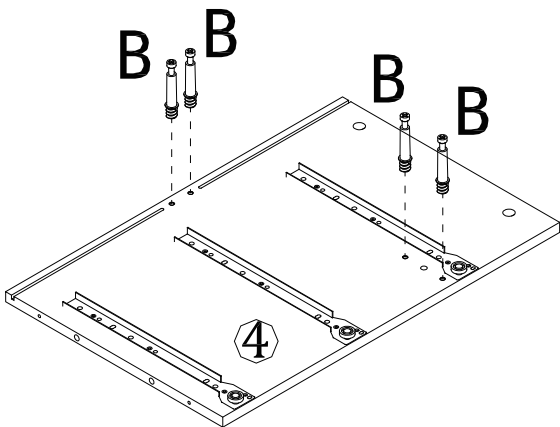
Code	Description	Quantity
A	ø15x9.5mm Cam lock	27+2
B	ø6x35mm Cam bolt	27+2
C	ø8x30mm Wood dowel	10+2
D	Foot pad	4+1
E	ø4x30mm Screw	15+2
F	ø5x48mm Screw	4+1
G	ø6x30mm Wood dowel	12+2
H	ø3x16MM Screw	10+2
I	ø3.5x12mm Screw	42+2
J	ø4x15mm Screw	1

Code	Description	Quantity
K	Backboard clip	10+2
L	Handle	3
M	Hex key 3mm	1
N	Wall bracket	1
O	M4X15mm Bolt	6+2
P	Wall anchor	1
Q	ø4x35mm Screw	1
R	Drawer runner set	3

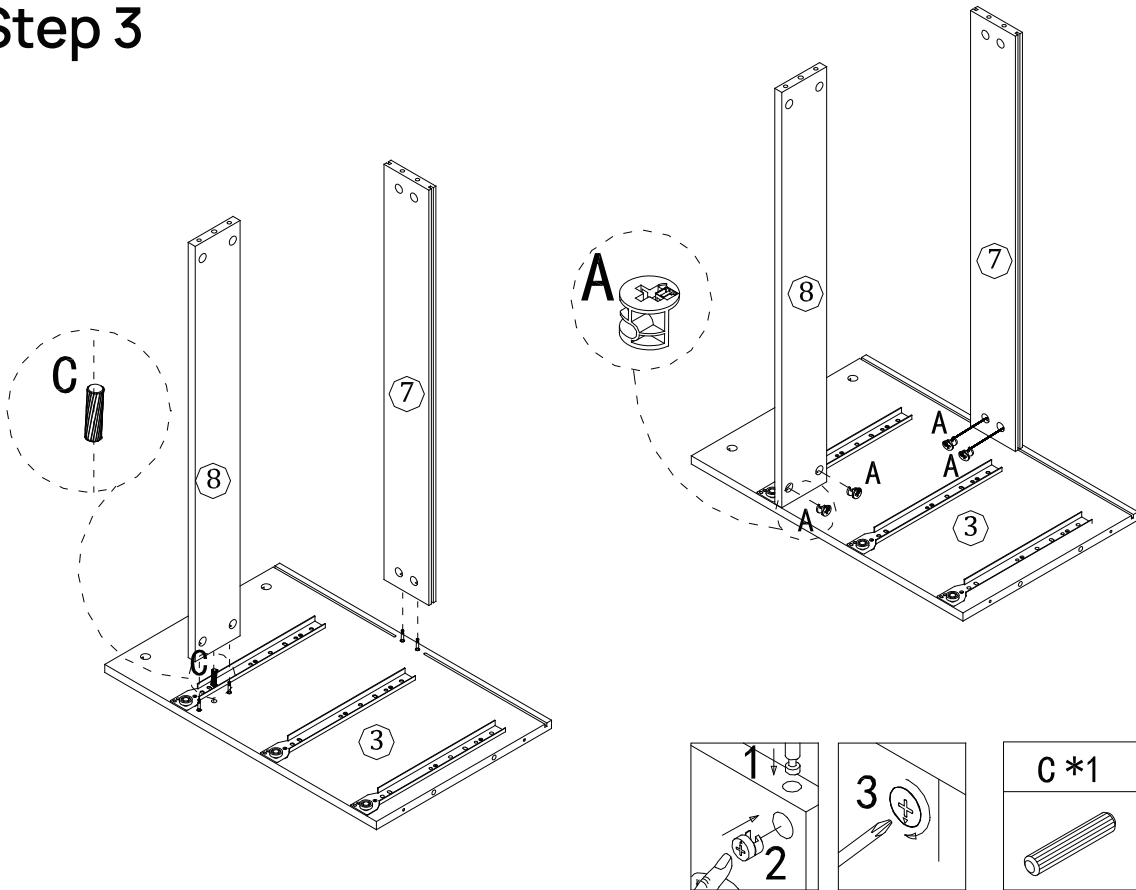
Step 1



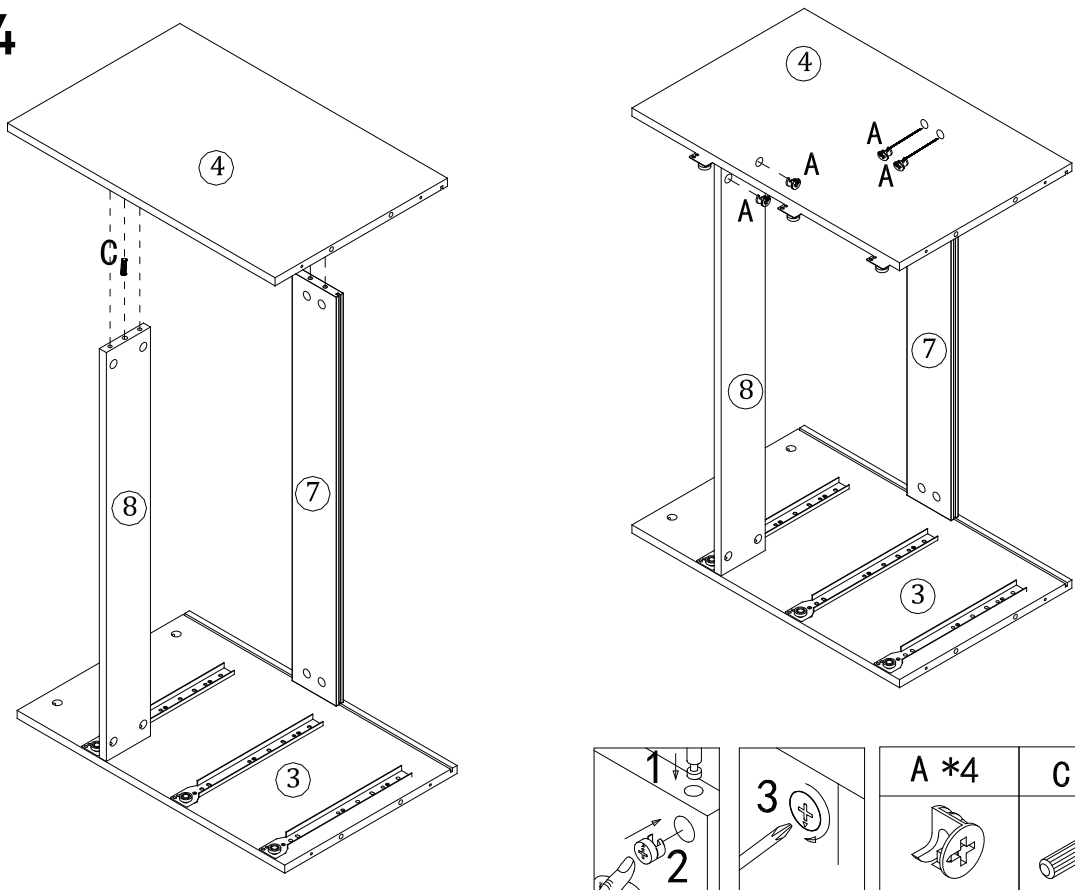
Step 2



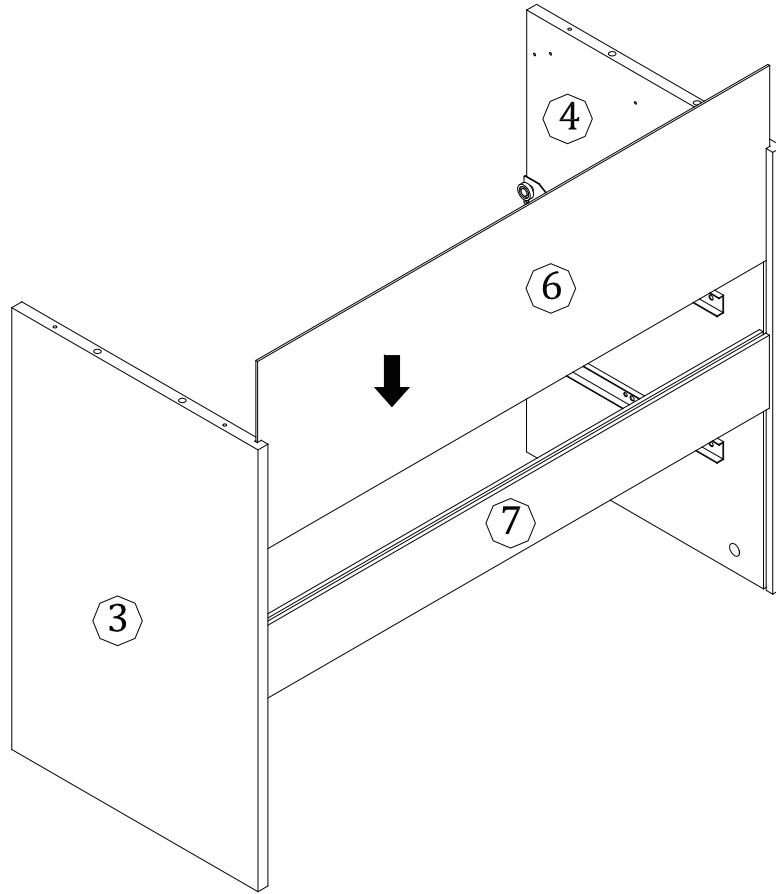
Step 3



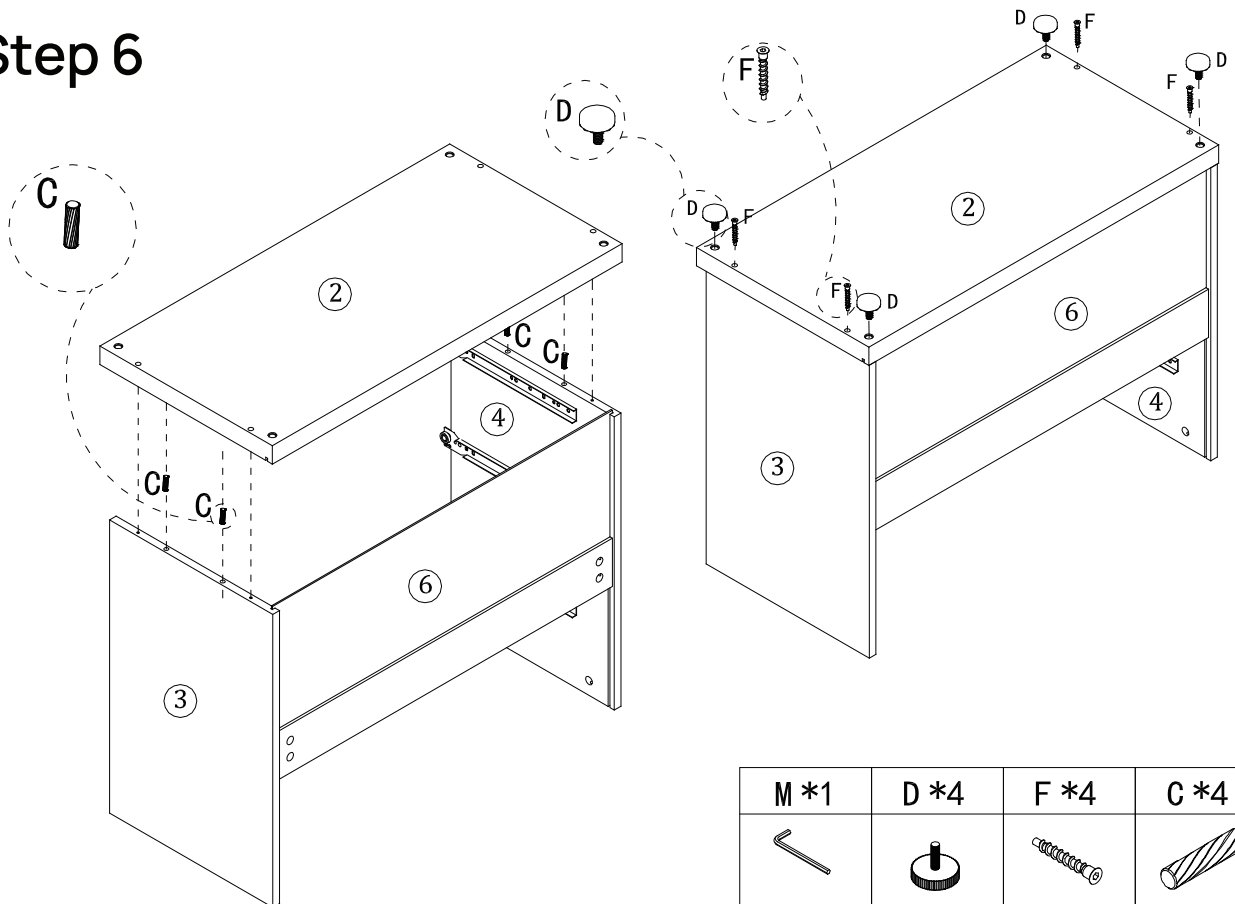
Step 4



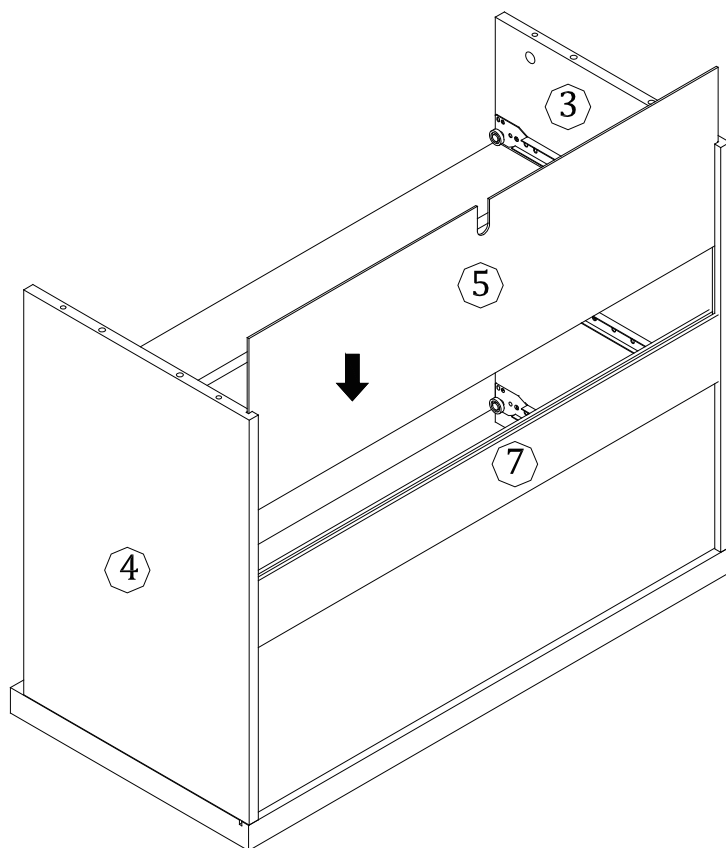
Step 5



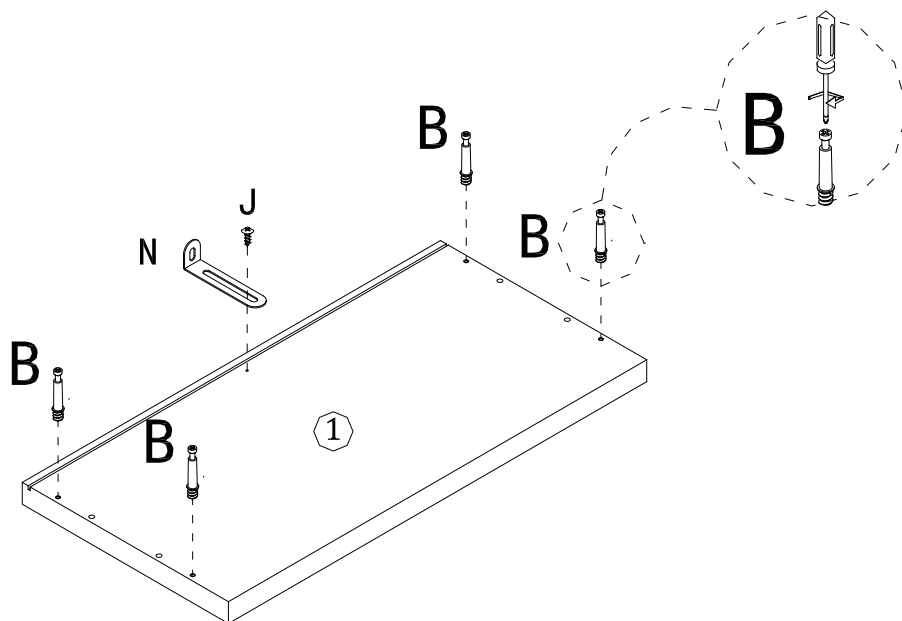
Step 6



Step 7

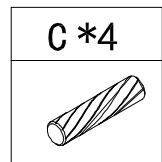
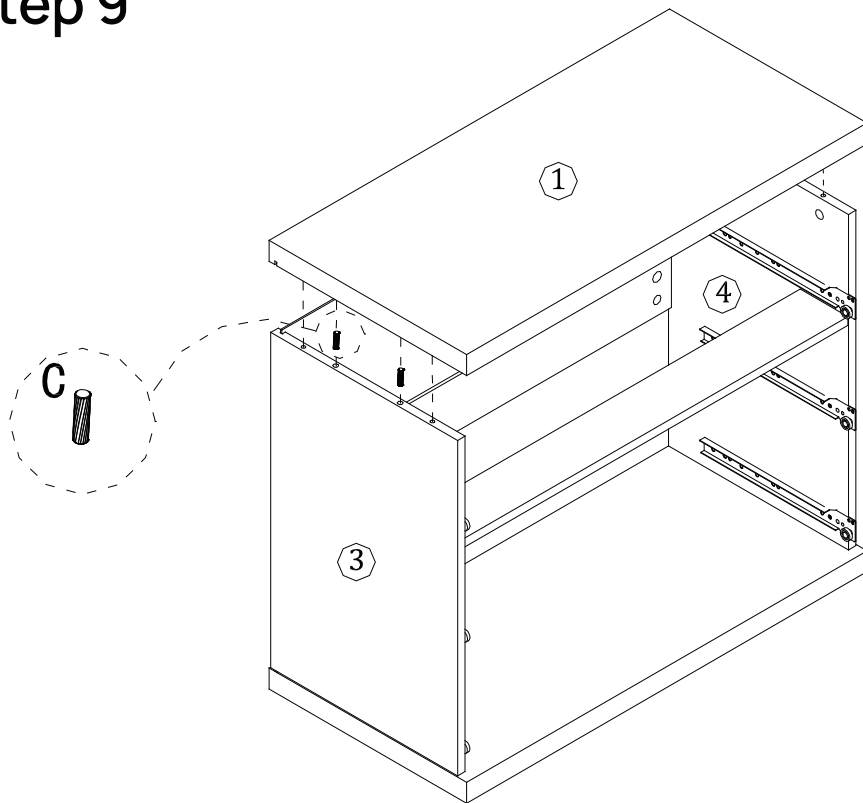


Step 8

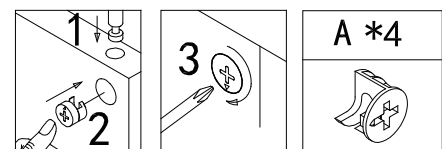
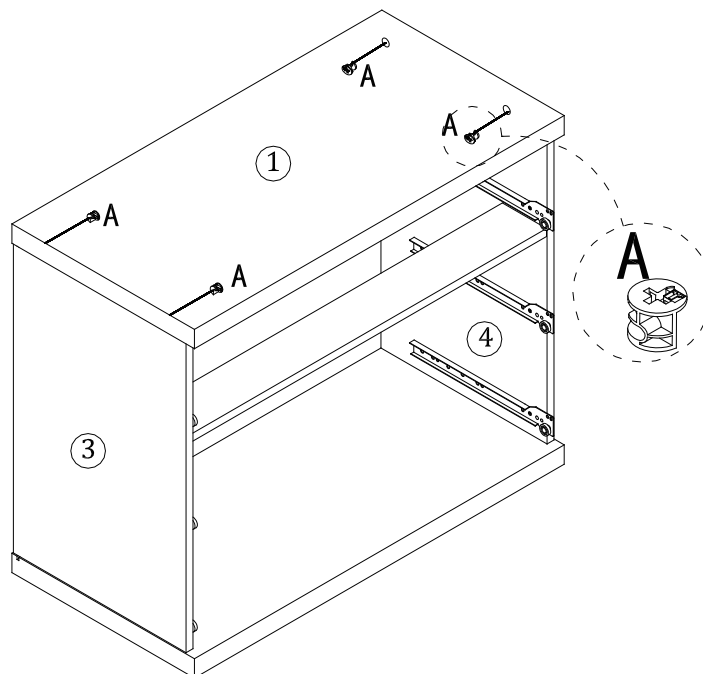


	<p>B *4</p>	<p>N *1</p>	<p>J *1</p>
--	--------------------	--------------------	--------------------

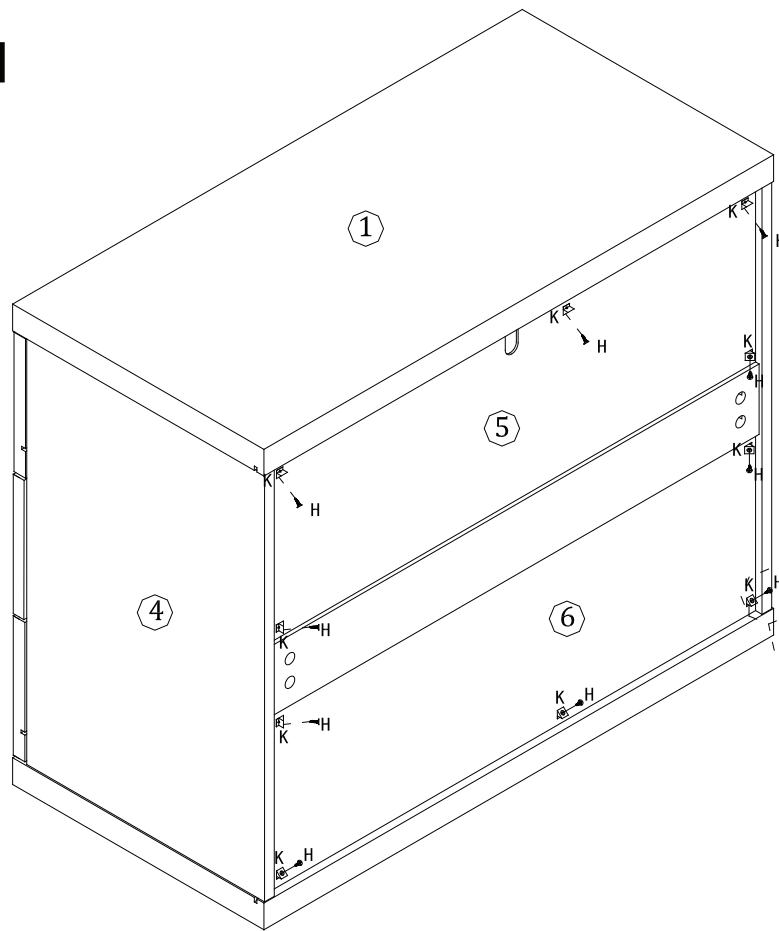
Step 9



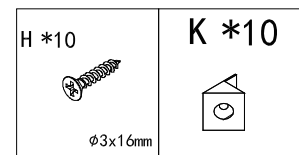
Step 10



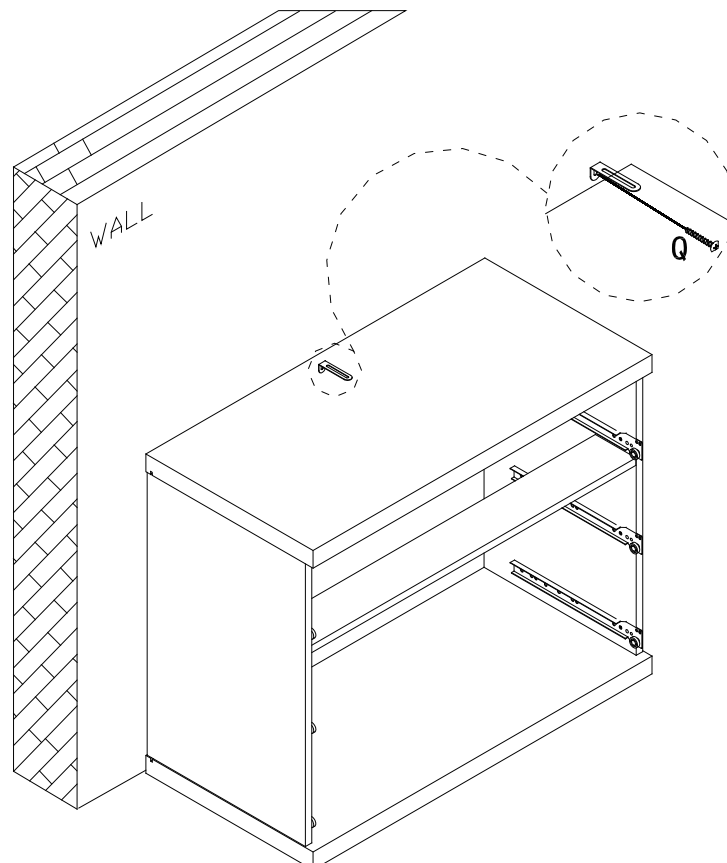
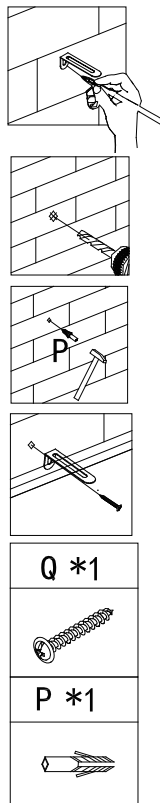
Step 11



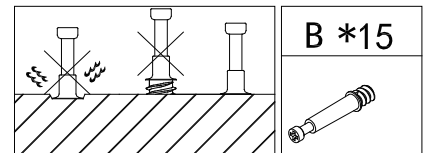
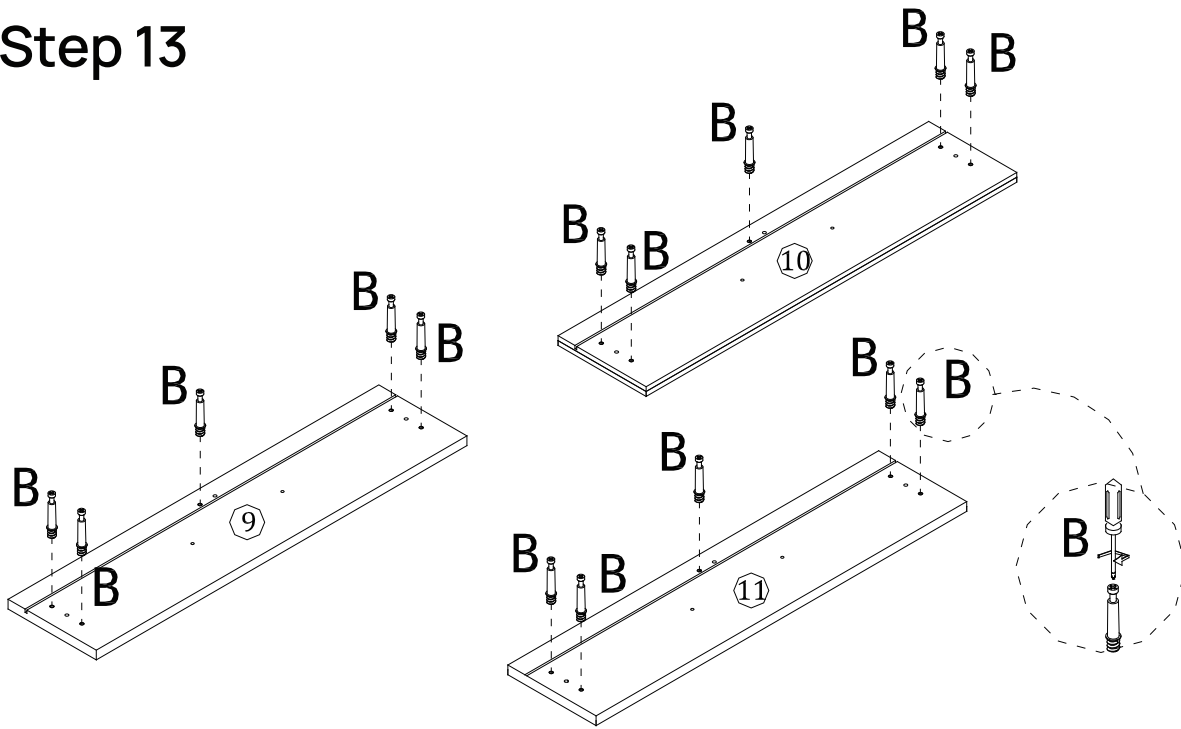
Must Be Installed



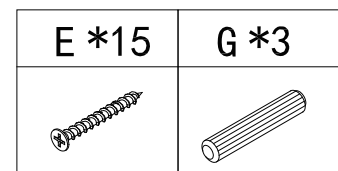
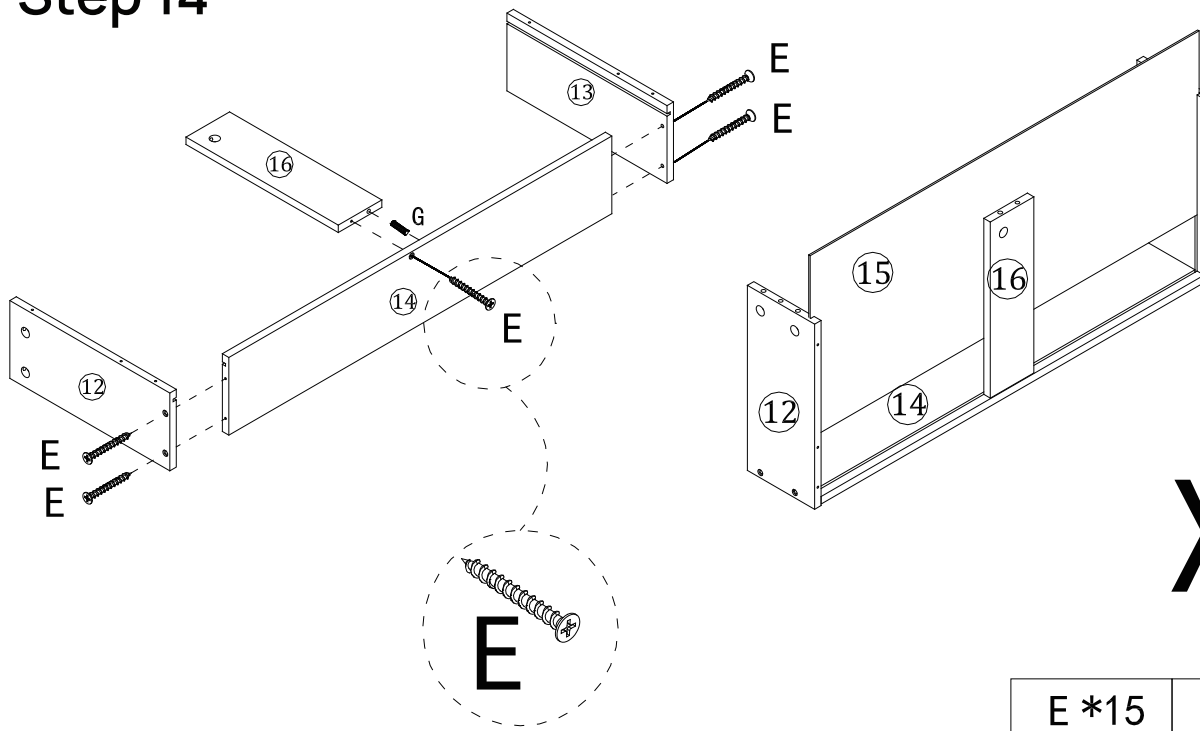
Step 12



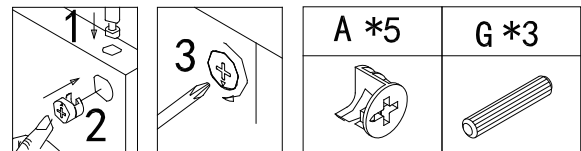
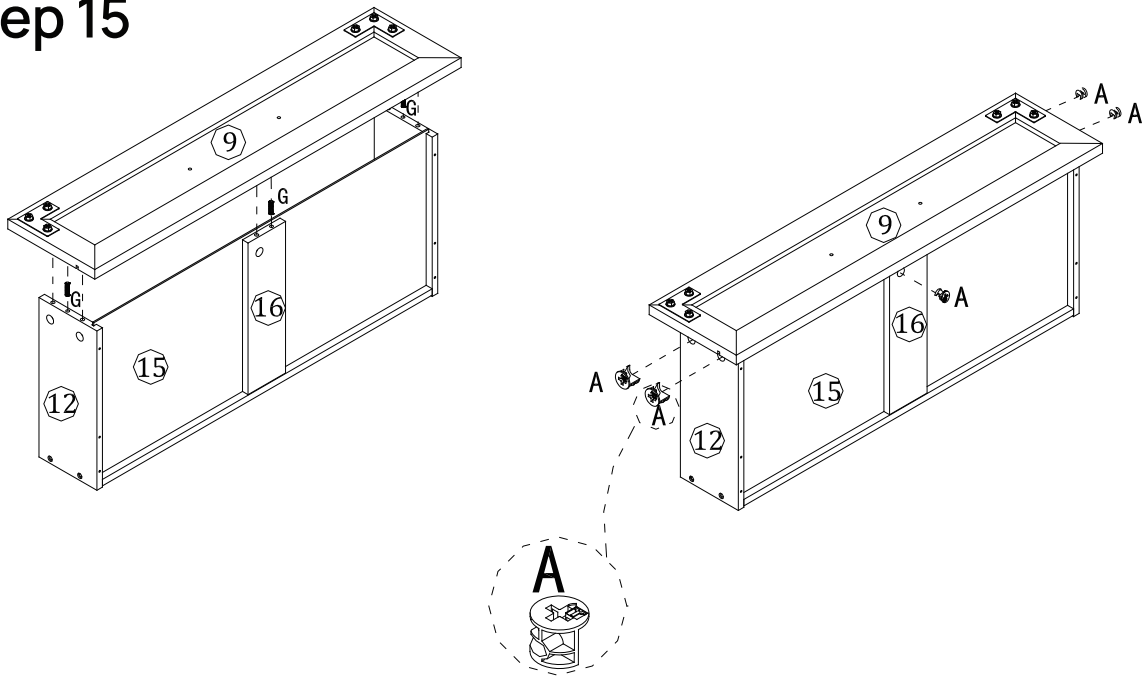
Step 13



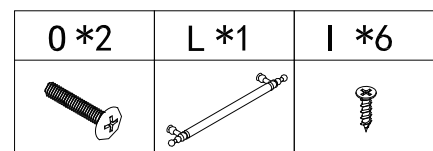
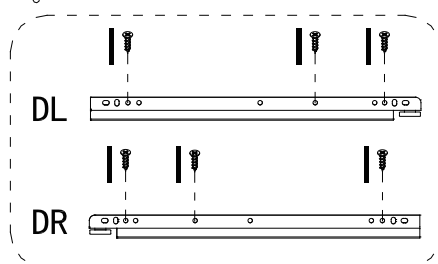
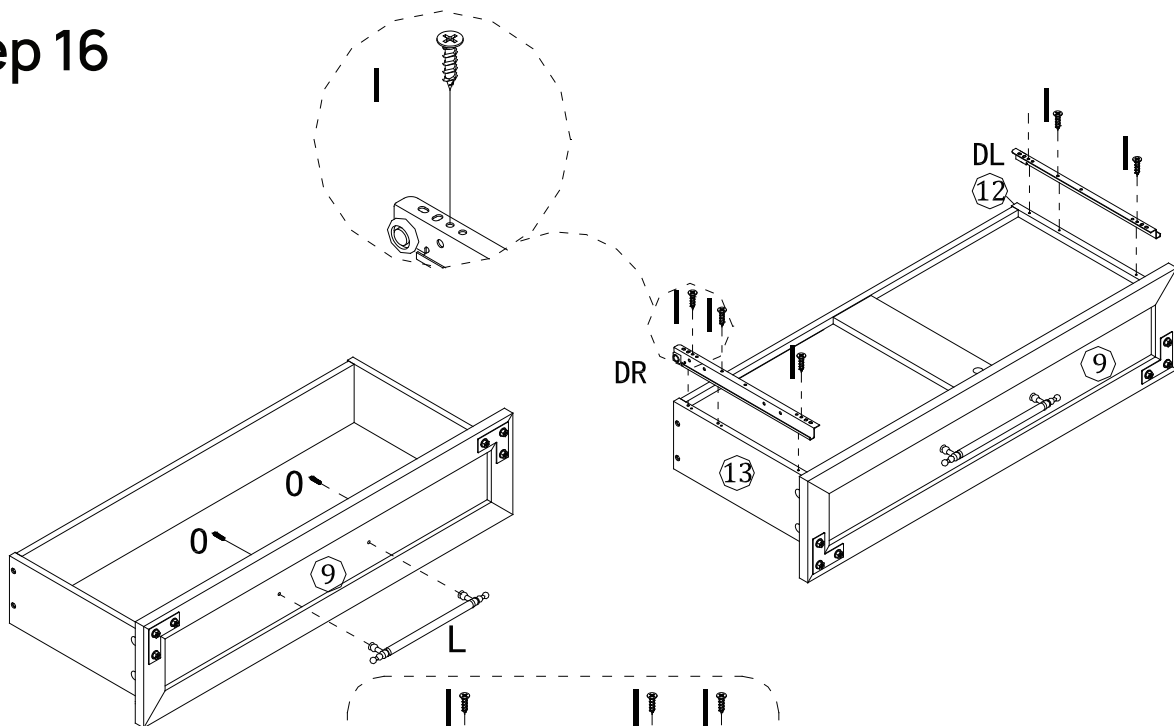
Step 14



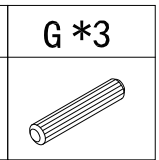
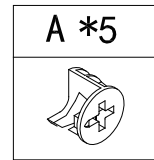
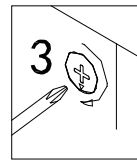
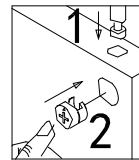
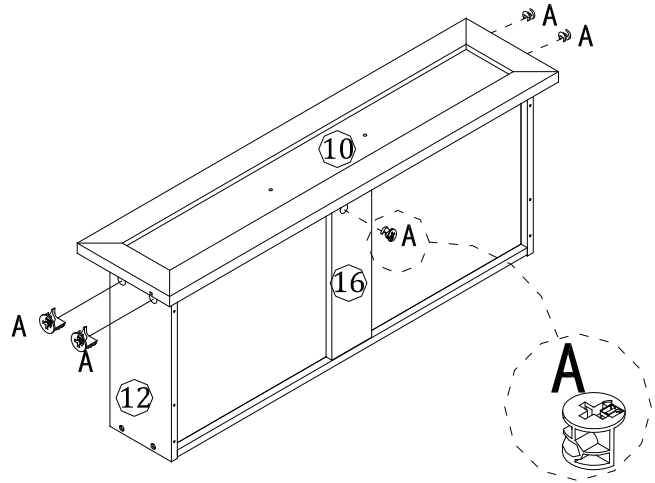
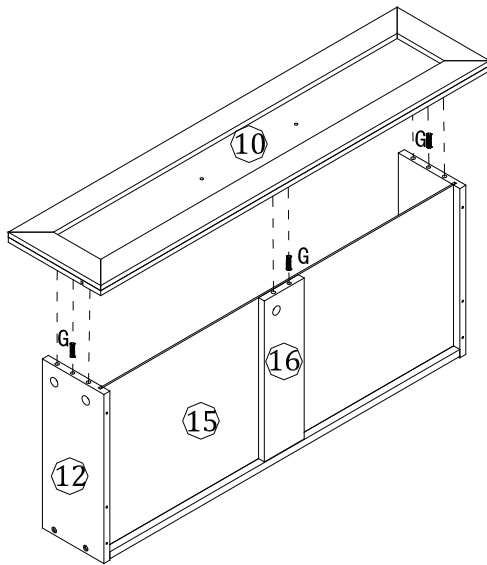
Step 15



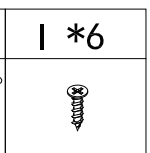
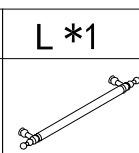
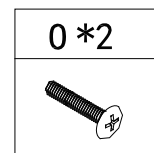
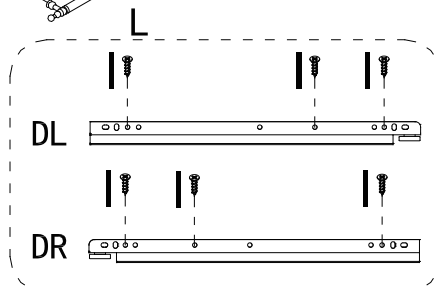
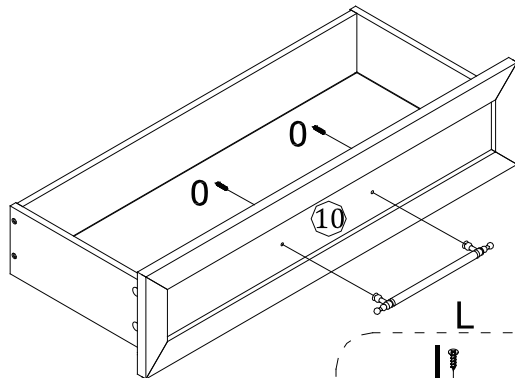
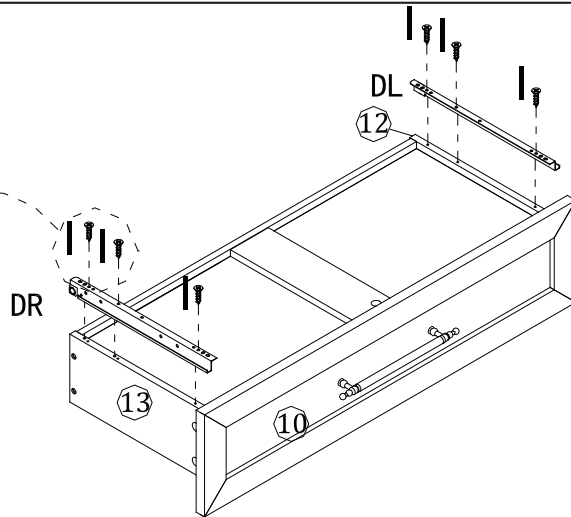
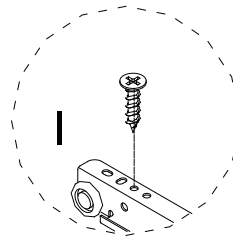
Step 16



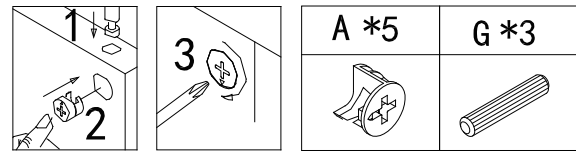
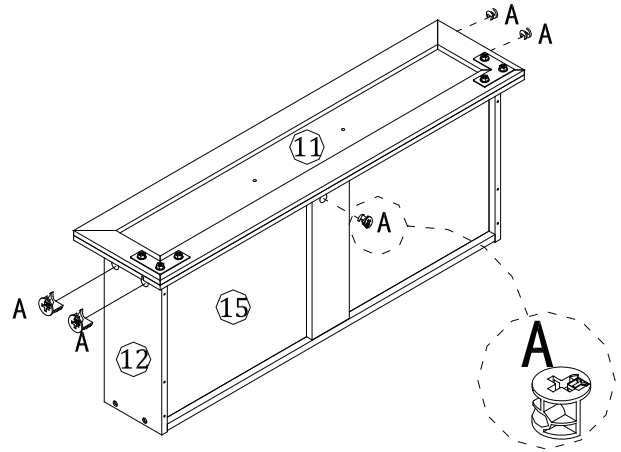
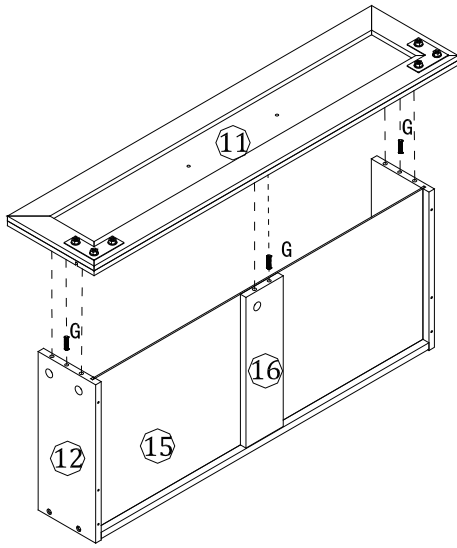
Step 17



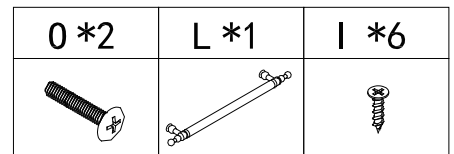
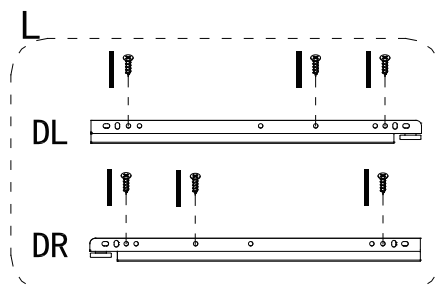
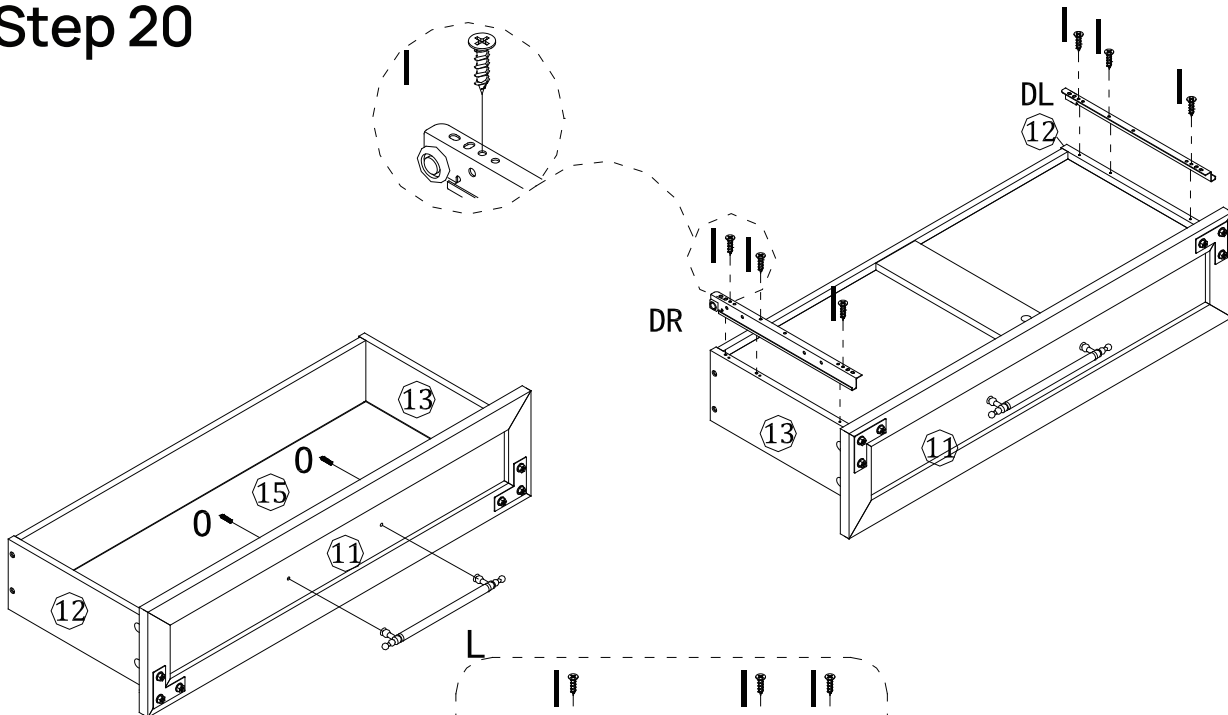
Step 18



Step 19

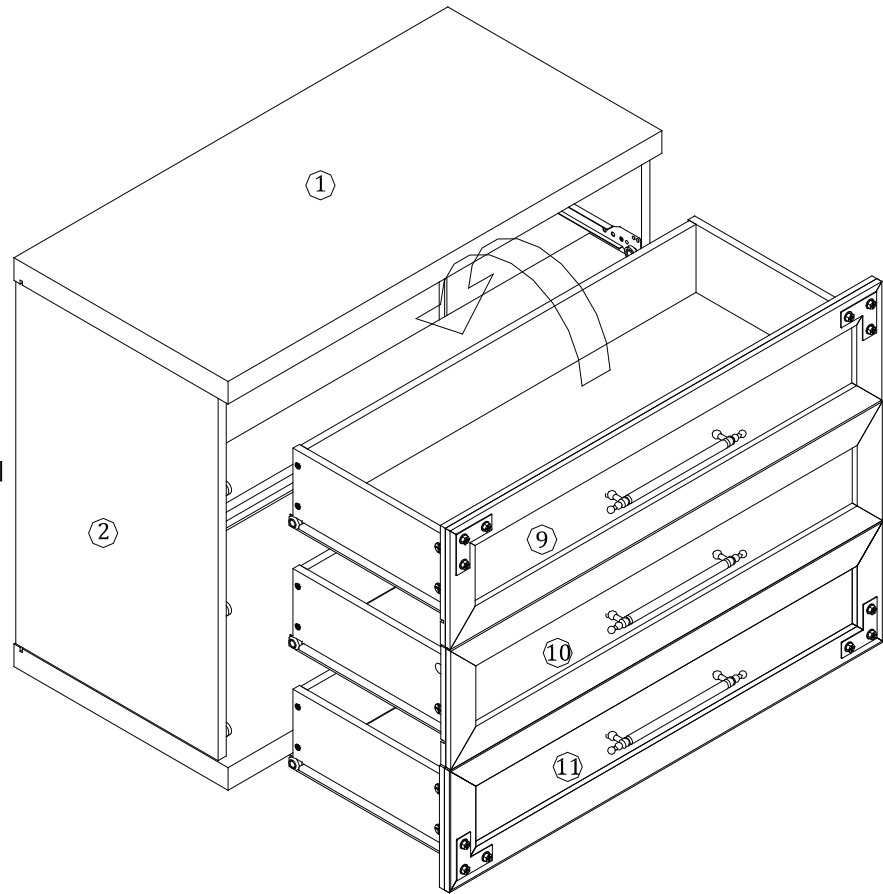
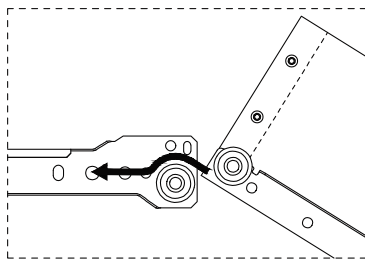


Step 20

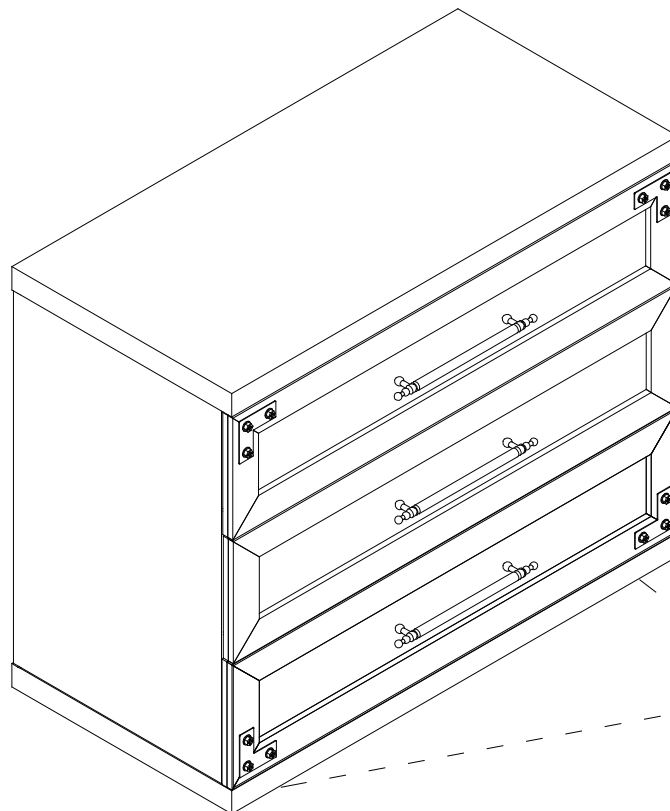


Step 21

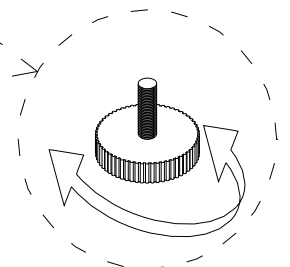
Please note that the drawers must be installed as indicated by the arrows.



Step 22



Note: You can adjust the height by rotating it left or right.



Step 23

