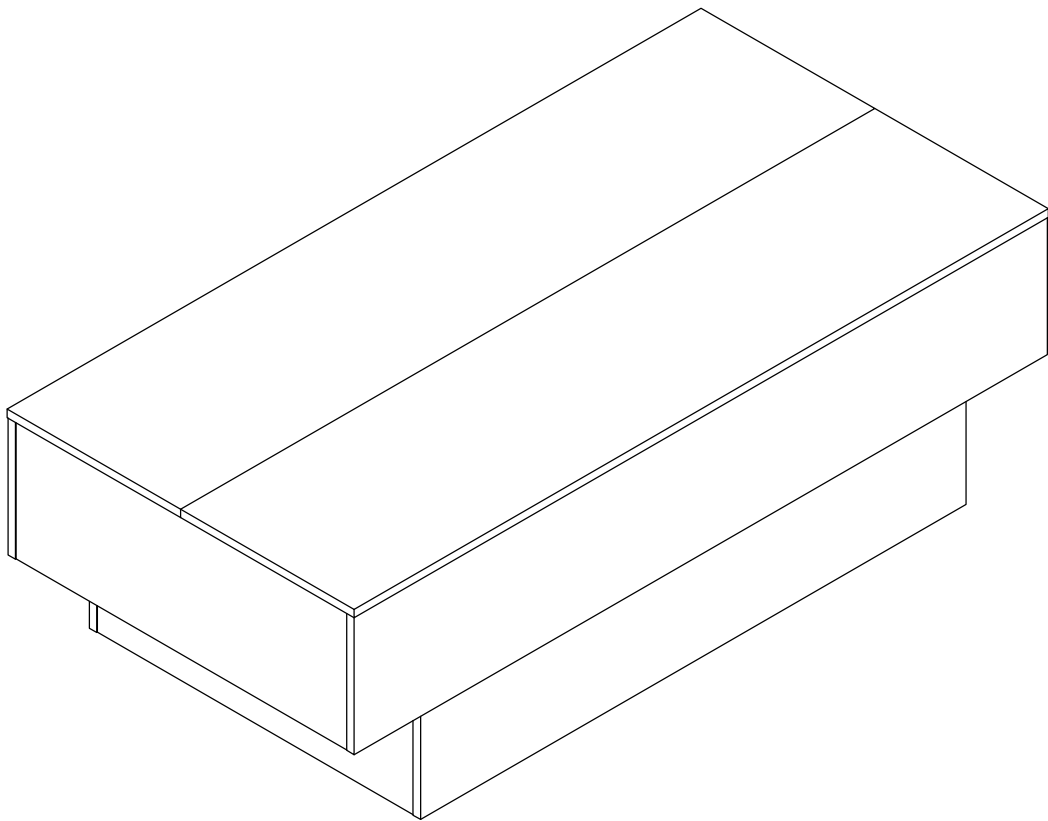


Tribesigns

DESIGNED FOR LIFE

Assembly Instructions



Coffee Table

Model No.
HOGA-RY 0230



LITTLE TREE
Little Tree by Tribesigns

www.tribesigns.com

Contact Us

We're here to help you.




Your satisfaction is our top priority. If you encounter any issues with this product, such as missing or damaged parts, we're here to help. Please retain the original packaging and take photos of the packaging and the product, then contact us as soon as possible.

Warm Tips

1. Carefully read these instructions and keep them for future reference.
2. Check the parts list and confirm everything's there before starting assembly.
3. When assembling, put all parts on a soft, smooth surface like a carpet to avoid scratches.
4. Don't fully tighten screws until all parts are confirmed in place to avoid misalignment.

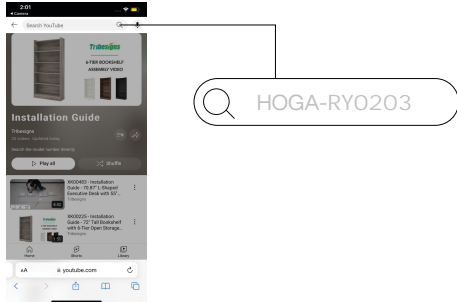
How to Get the Assembly Video

Step 1 Scan the QR code.

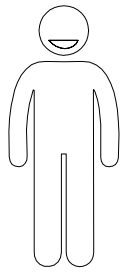


Installation Video

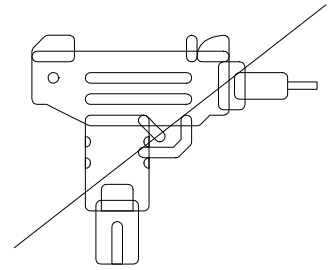
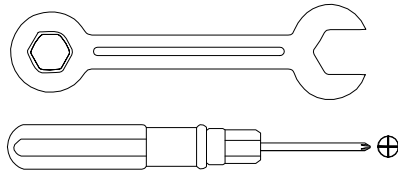
Step 2 Search with the Model No.
(on the bottom left corner of the title page)



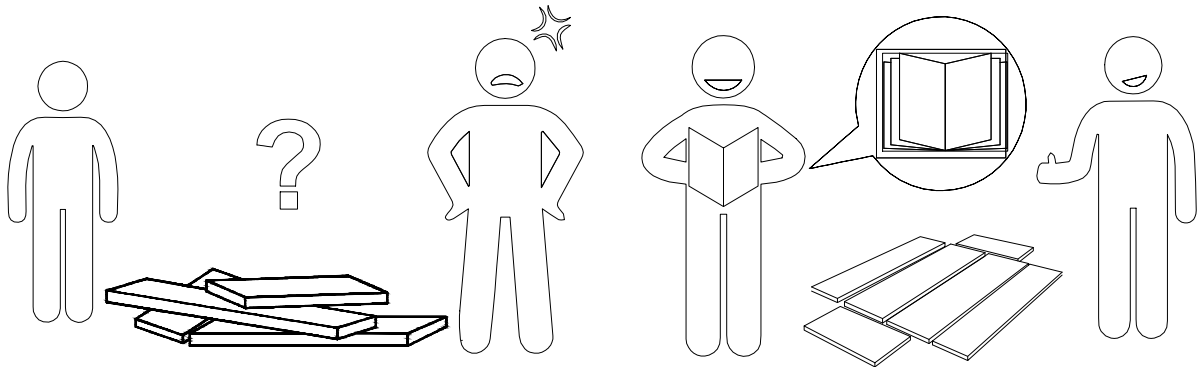
Note: If you can't find the assembly video, please contact us.

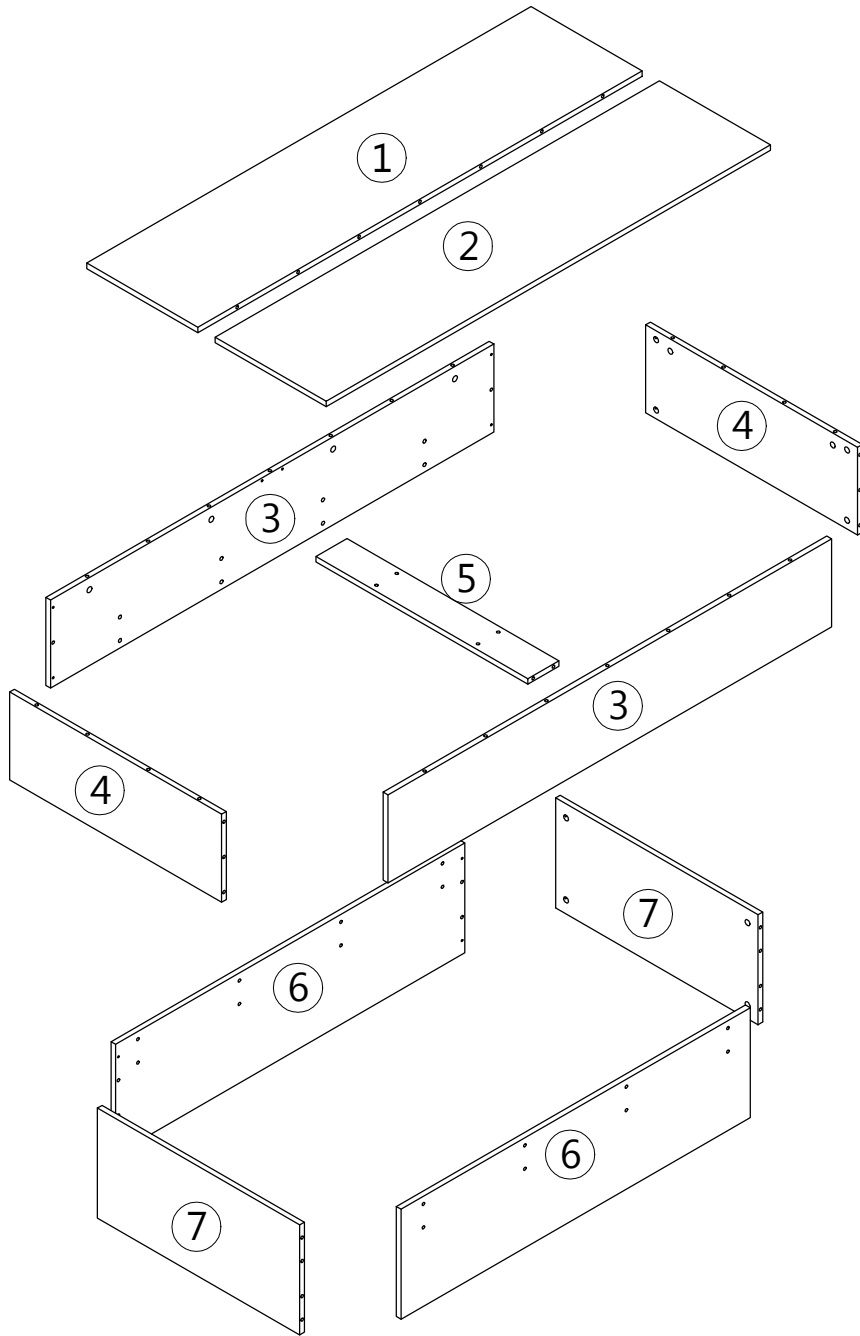



X2



When using the electric screwdriver ,
Reduce the power and torque to avoid damaging the furniture

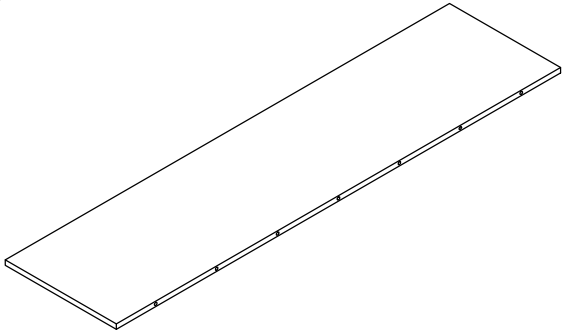
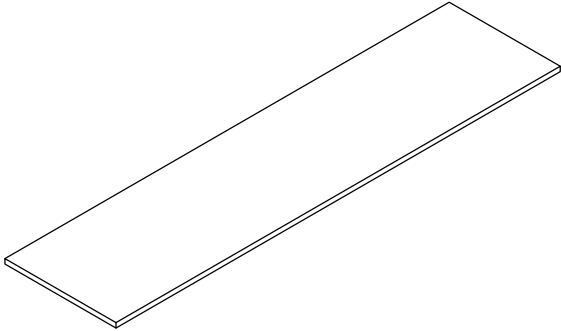
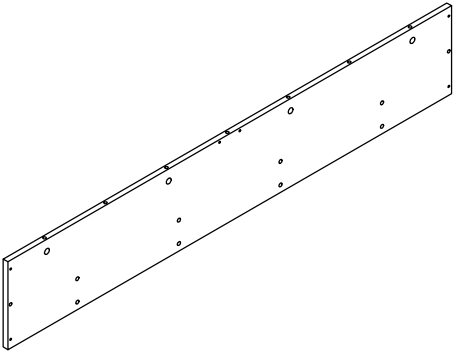
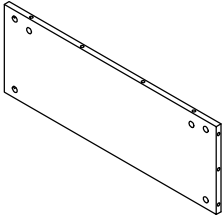
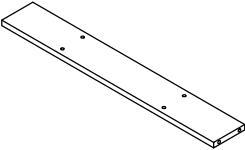
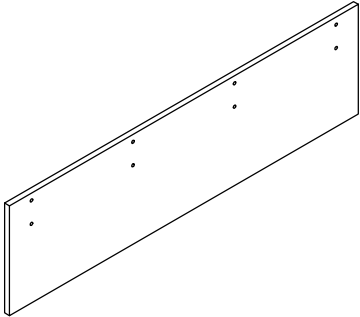
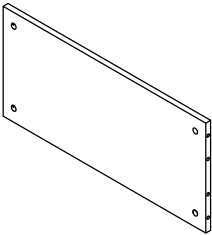




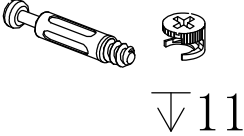


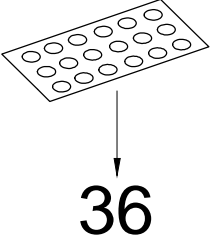

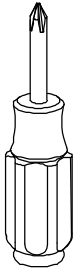
 **Caution**

Make sure all parts are included. Most board parts are labeled or stamped on the raw edge. Contact us for free replacement if having damaged or missing parts.

Parts List

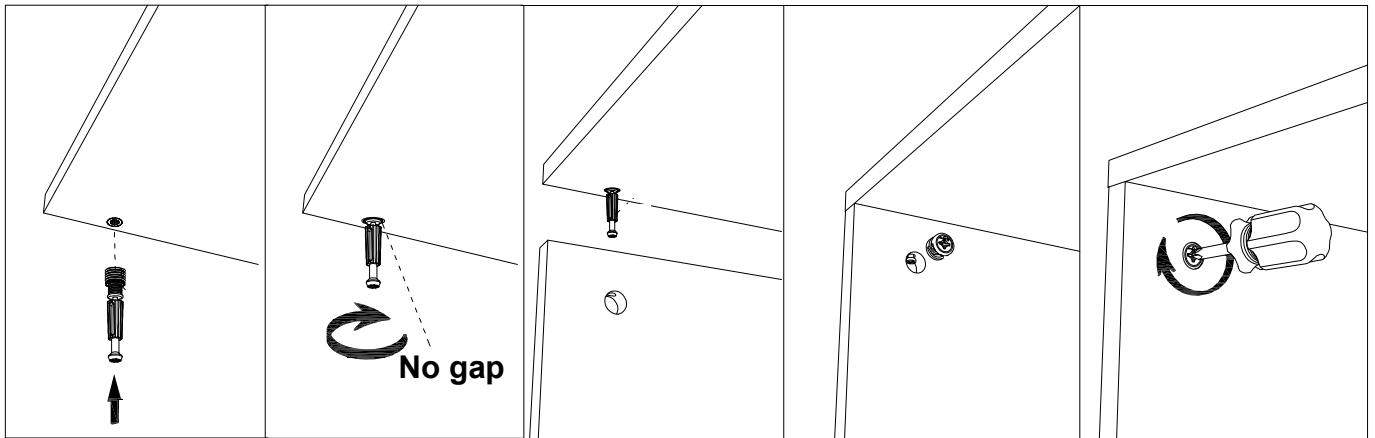
<p>①</p>  <p>1pc</p>	<p>②</p>  <p>1pc</p>
<p>③</p>  <p>2pcs</p>	<p>④</p>  <p>2pcs</p>
<p>⑤</p>  <p>1pc</p>	<p>⑥</p>  <p>2pcs</p>
<p>⑦</p>  <p>2pcs</p>	

Hardware List

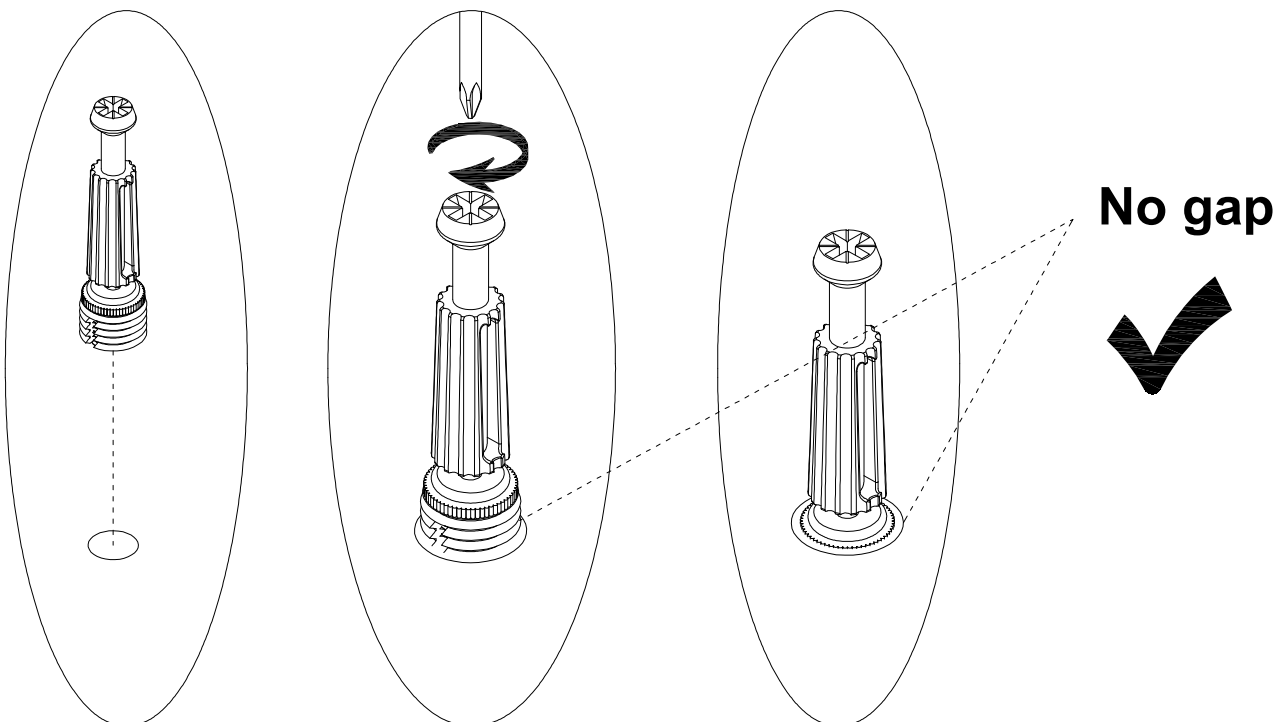
A	B	C
 <p>M6X40MM</p>	 <p>Ø8 x 35mm</p>	 <p>M6X25MM</p>
<p>36+2pcs</p>	<p>25+2pcs</p>	<p>20+2pcs</p>
 <p>36</p>	 <p>4#</p>	
<p>1pc</p>	<p>1pc</p>	<p>1pc</p>

Installation of Cams and Pins



Screw the pin into the hole. To set the cams correctly, ensure that the arrow on the cam is opening to the hole of the pin it is locking. Lock the cam by turning the cam head with a screwdriver until it is tightened. Please do not use an electric screwdriver to assemble the unit.

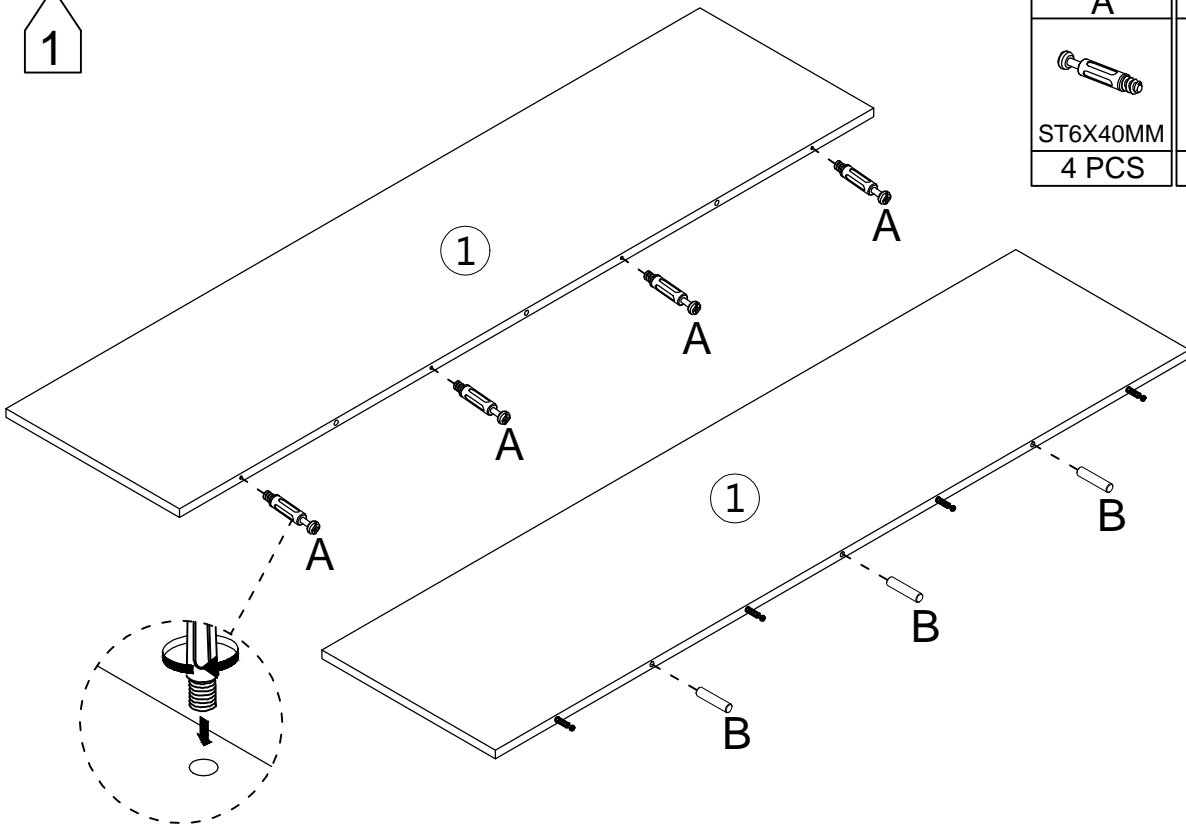


Read each step carefully before starting. It is very important that each step of instruction is performed in the correct order. If these steps are not followed in sequence, assembly difficulties will occur.




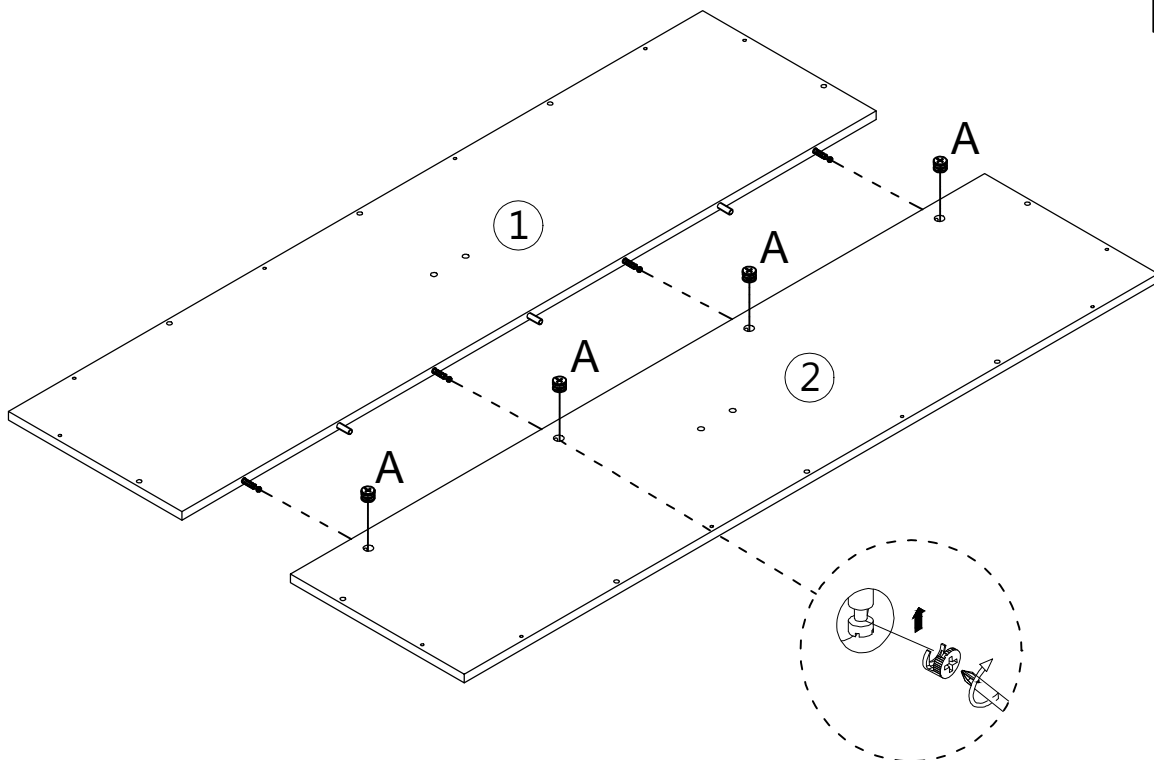
1

A	B
	
ST6X40MM	8X35MM
4 PCS	3 PCS

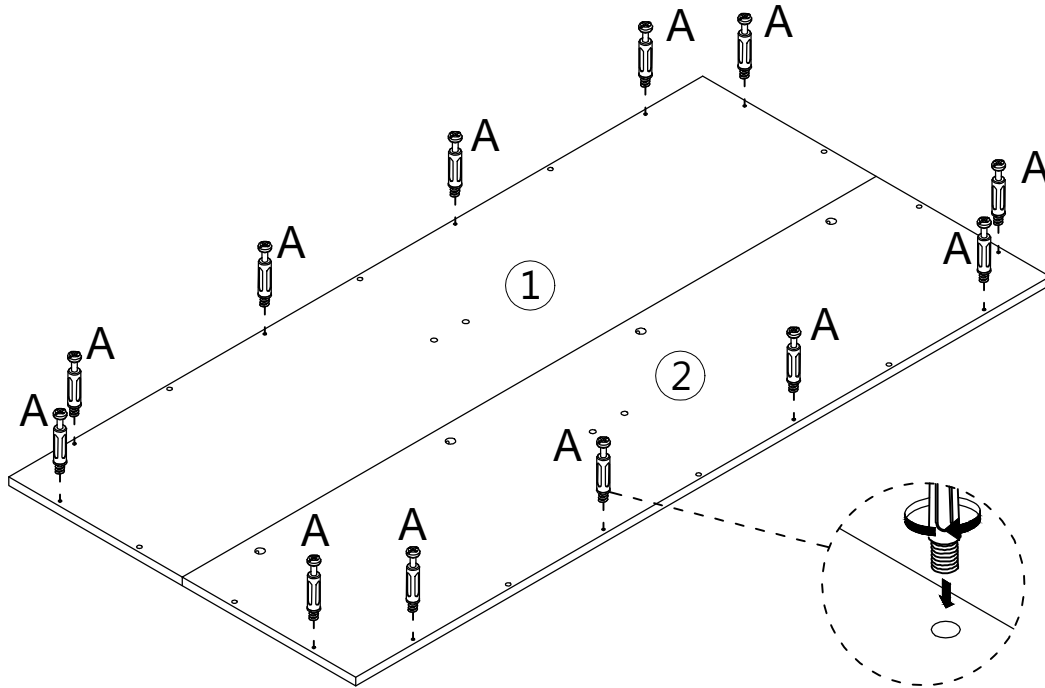



2

A

∇11
4 PCS

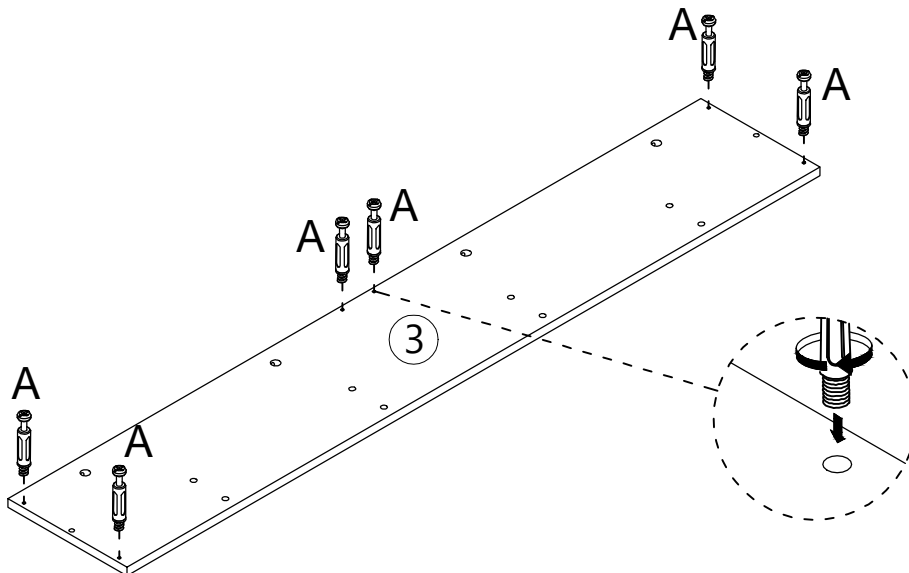



3



A

ST6X40MM
12 PCS

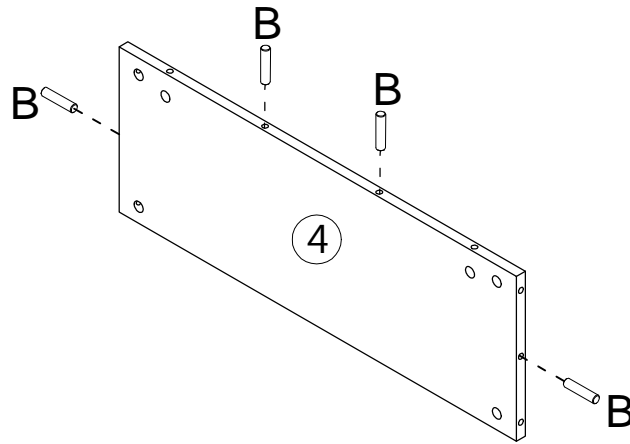
4




A

ST6X40MM
12 PCS

X2

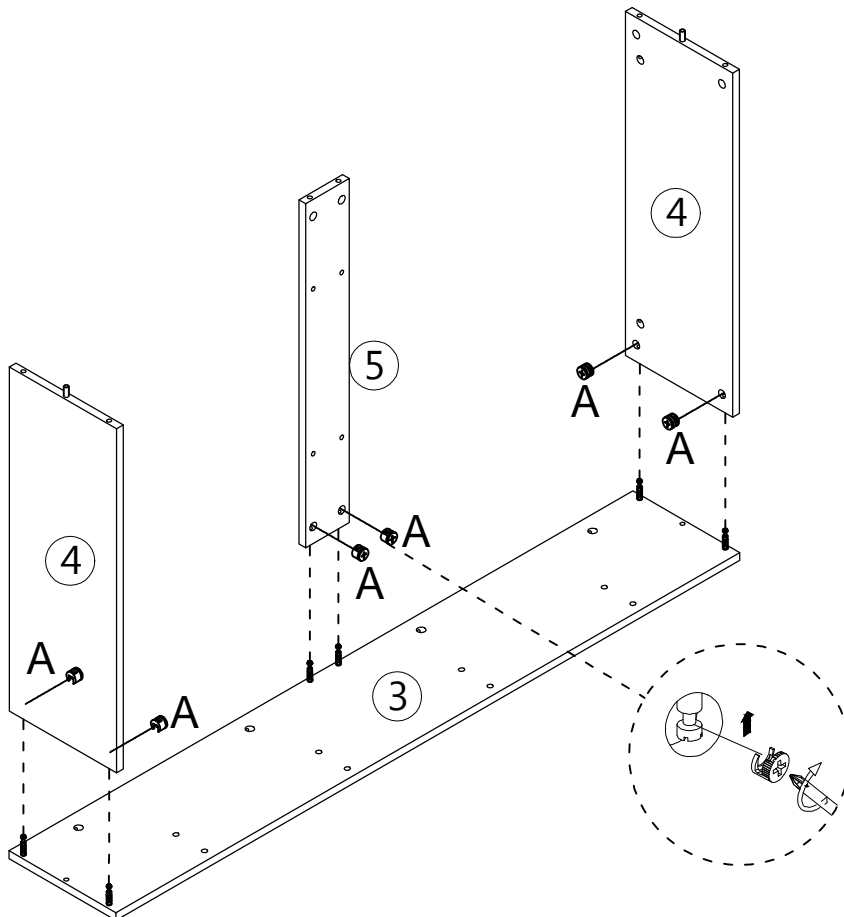
5




B

8X35MM
8 PCS

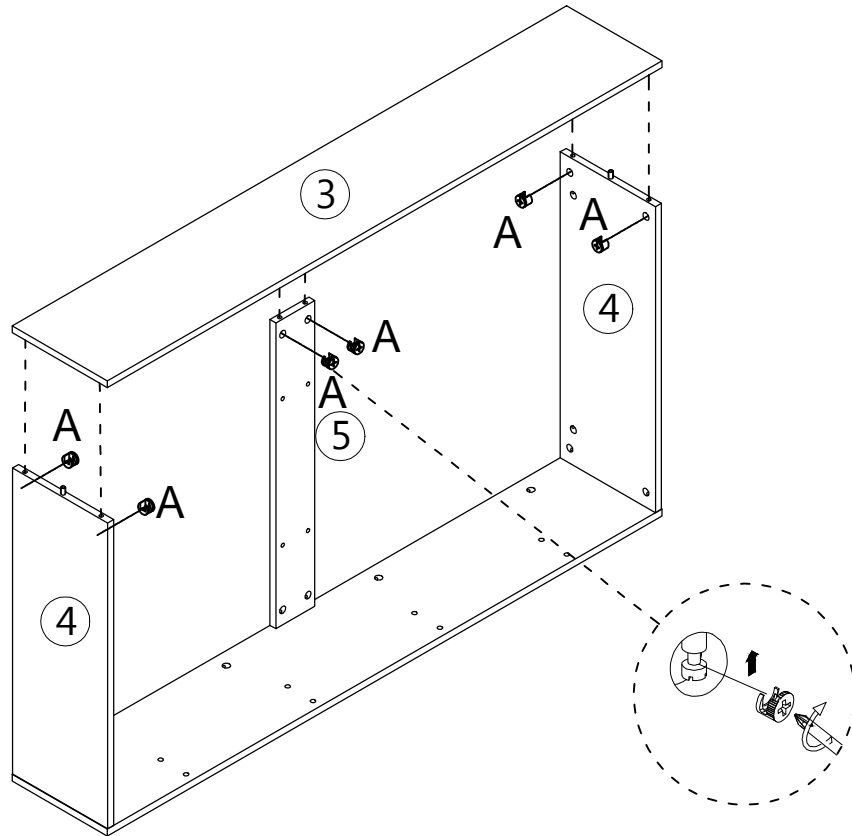
X2


6



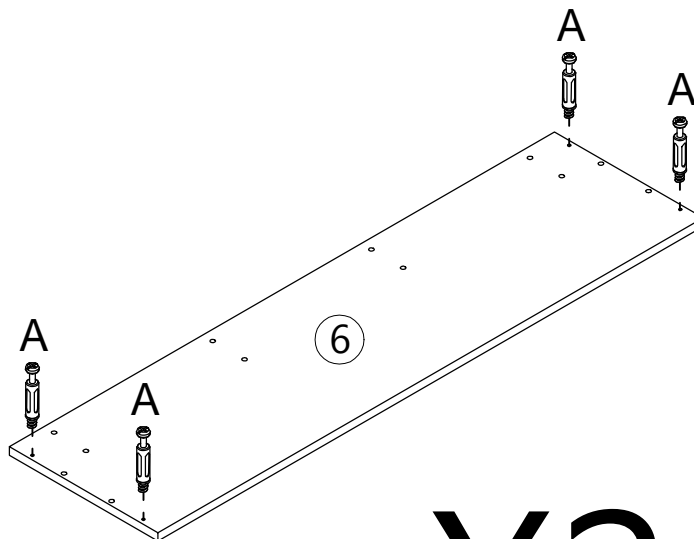
A

∇11
6 PCS


7



A

↓11
6 PCS

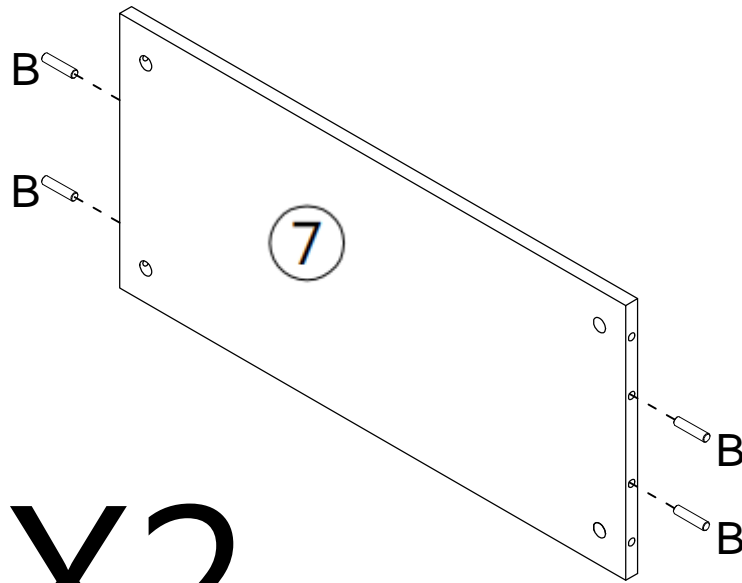
8




A

ST6X40MM
8 PCS

X2

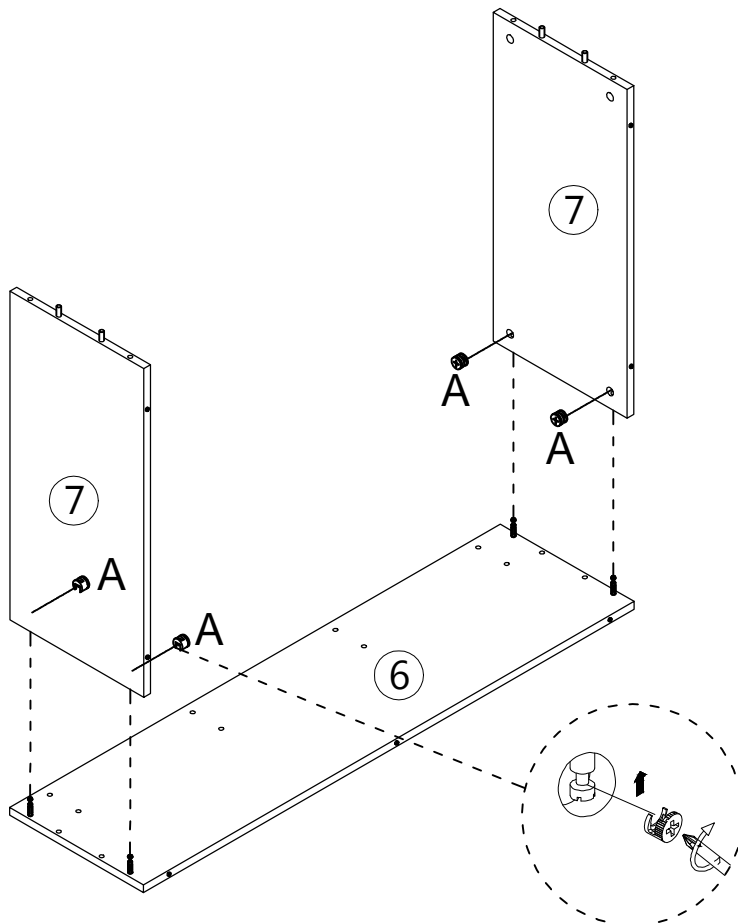
9




B

8X35MM
8 PCS

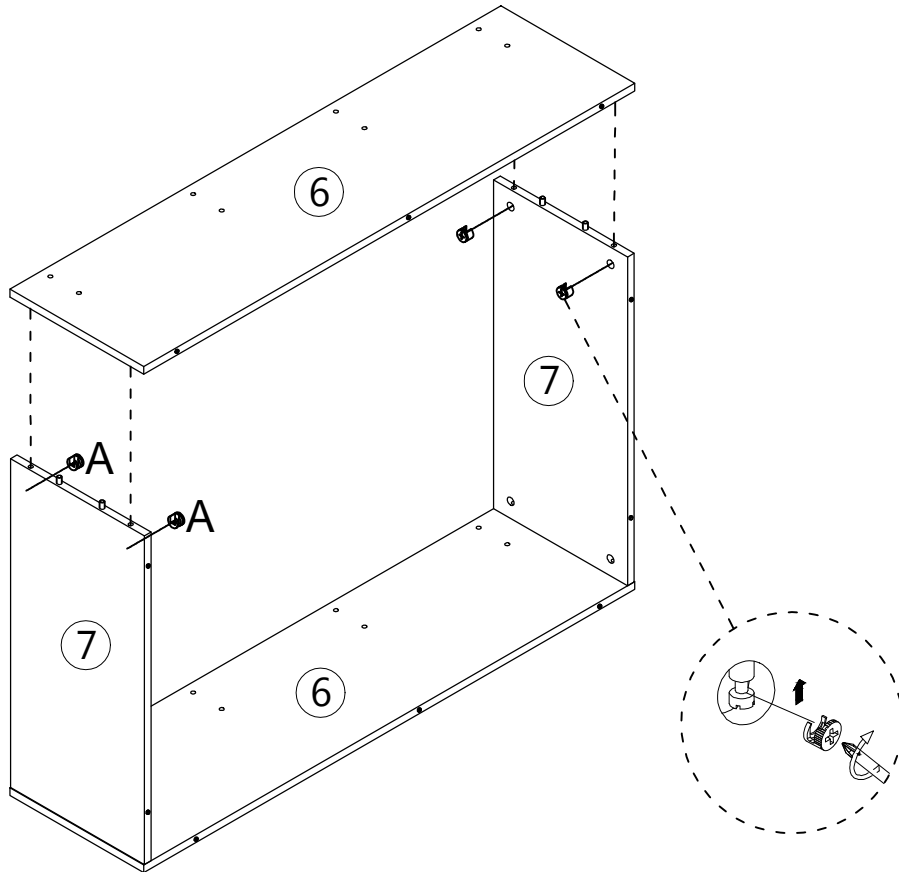
X2


10



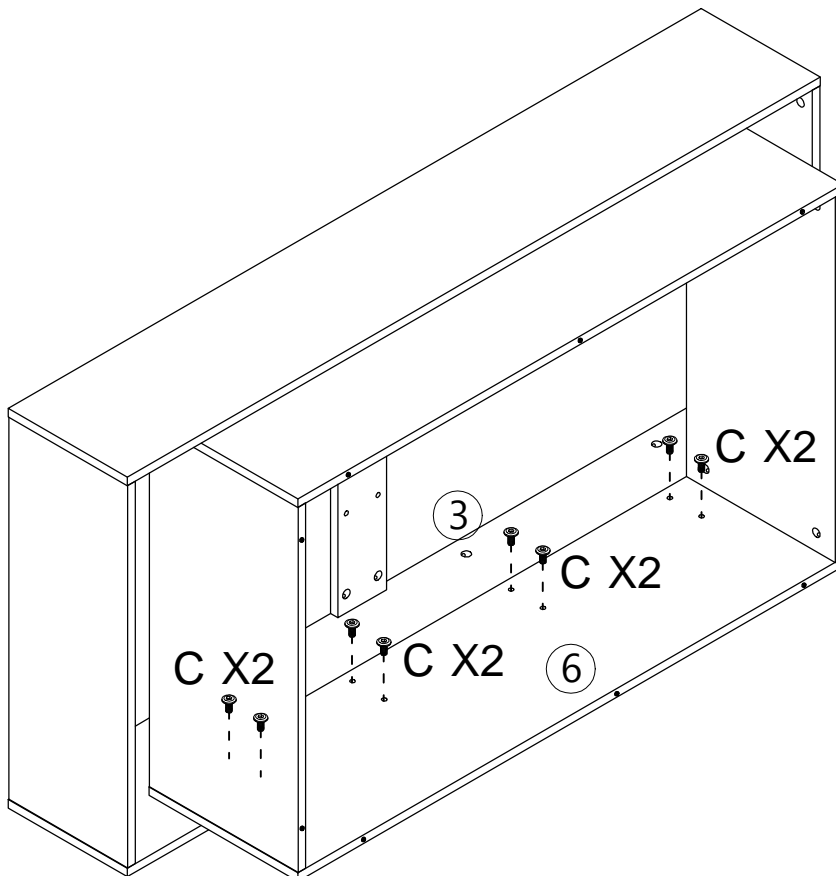
A

∇11
4 PCS


11



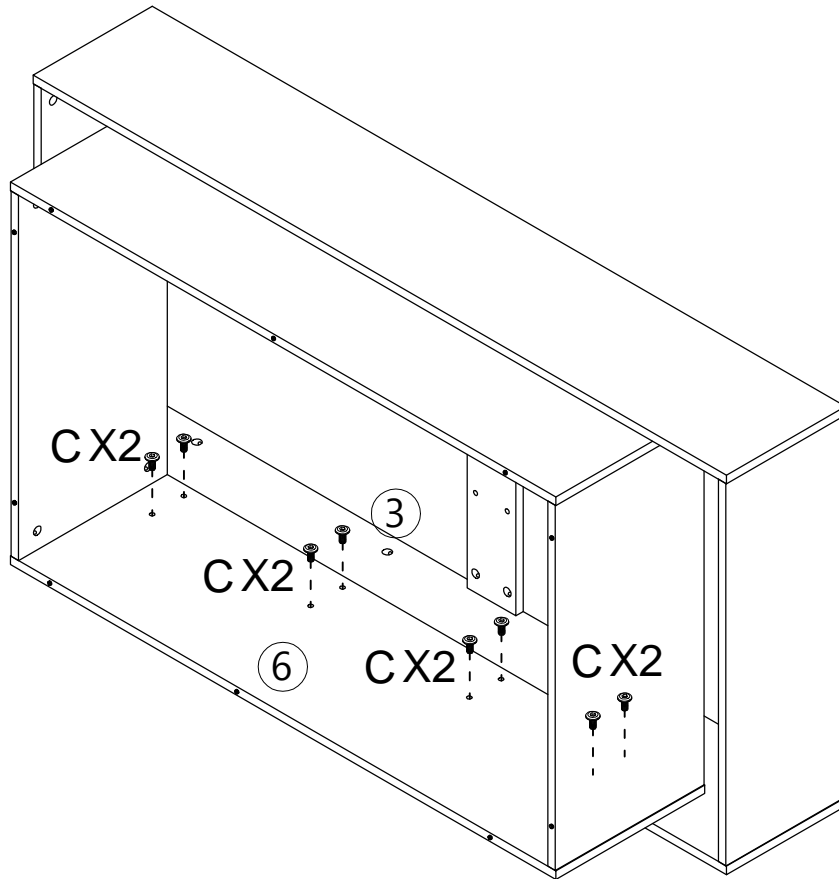
A

↓ 11
4 PCS


12



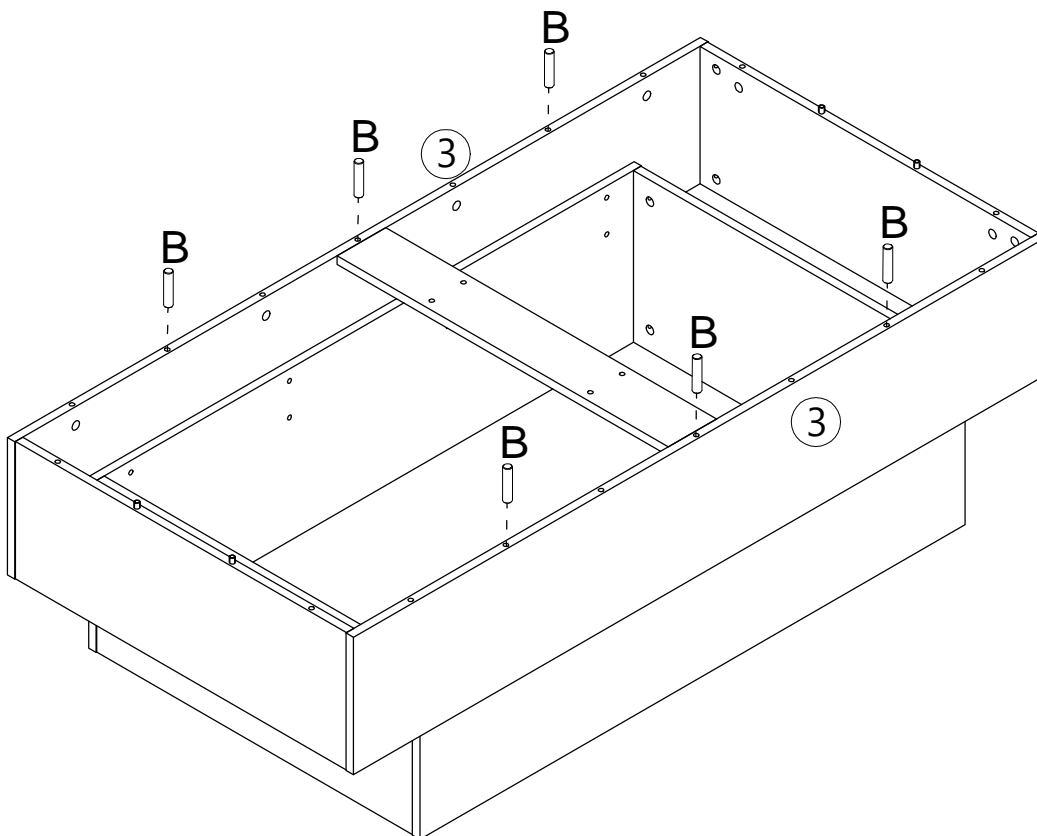
C

M6X25MM
8 PCS


13





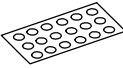
C

M6X25MM
8 PCS

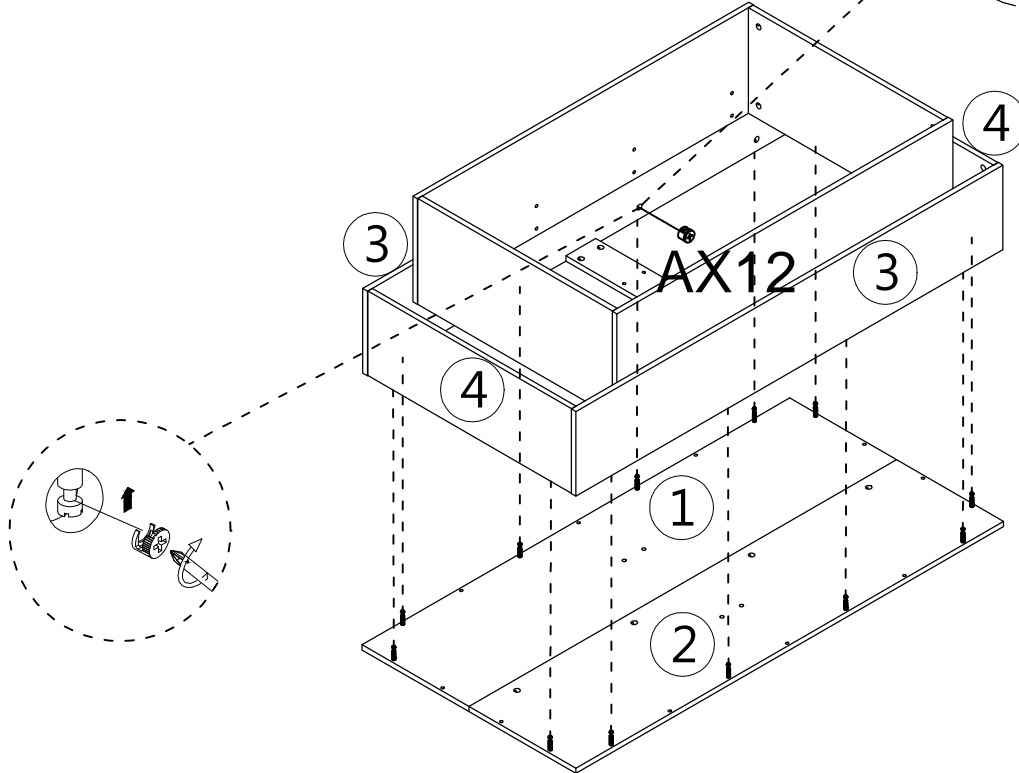
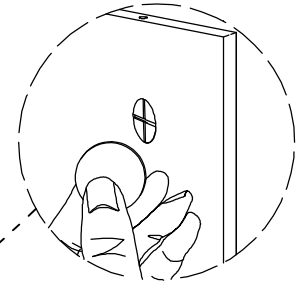
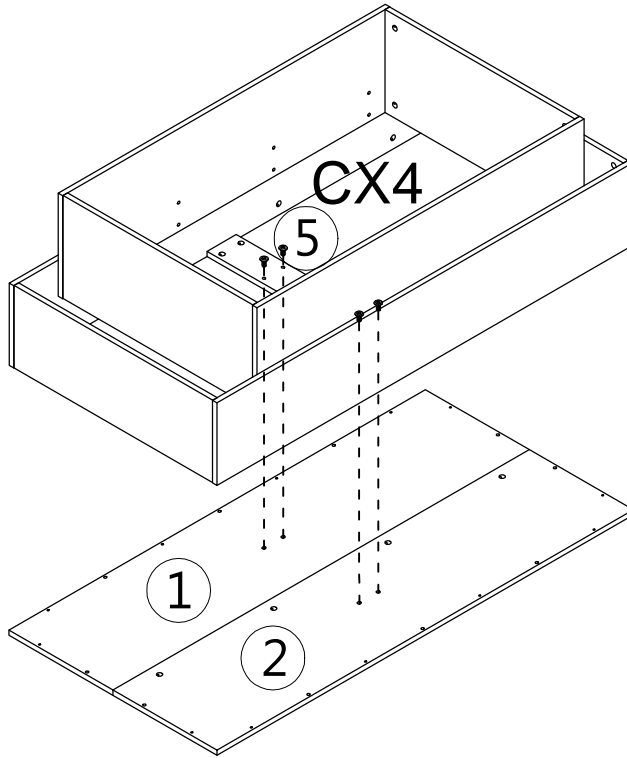
14



B

8X35MM
6 PCS

15

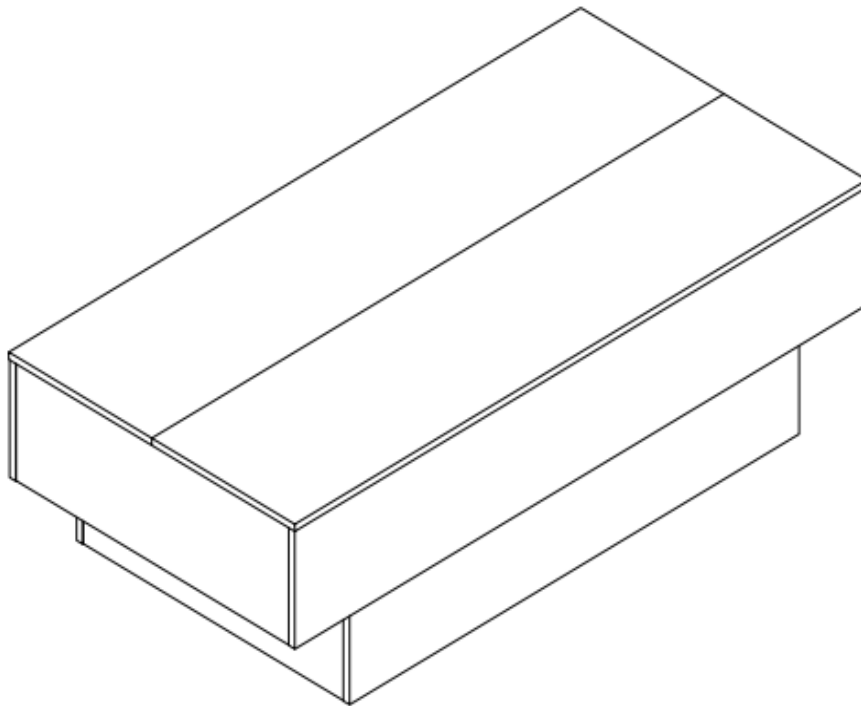
A	C	
 ↓ 11	 M6X25MM	
12 PCS	4 PCS	1 PC





DESIGNED FOR LIFE

Thank you for your support!



Contact our customer service team



support@tribesigns.com
www.tribesigns.com



1-424-220-6888

Contact us anytime except
12:00 AM to 8:00 AM EST.

Follow Tribesigns



Facebook



Instagram



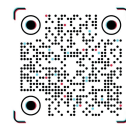
Pinterest



Twitter



YouTube



TikTok



WhatsApp