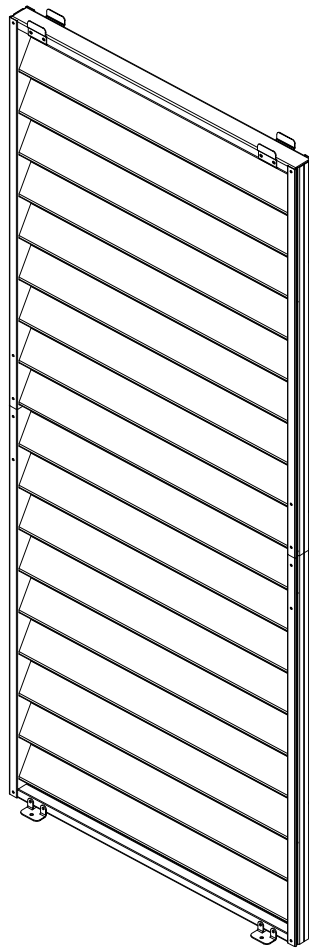




# SHUTTER WALL

## ASSEMBLY MANUAL



**MODEL#: LGMF1655**

Missing part? Damaged? Contact us via email at

[service@domioutdoorliving.com](mailto:service@domioutdoorliving.com)

[www.domioutdoorliving.com](http://www.domioutdoorliving.com)

© Copyright 2023–2025 domi LLC. All Rights Reserved.

# THANK YOU FOR PURCHASING THE DOMI OUT LIVING<sup>®</sup> SHUTTER WALL.

- This manual will provide you with clear and detailed instructions on how to safely and correctly assemble and maintain your shutter wall, to ensure it brings you many years of use and enjoyment.

## IMPORTANT

- Please read the entire manual carefully before installing and using your shutter wall, and please ensure the manual is kept in a safe place for future reference.
- Any use or modification to the shutter wall not included in this manual shall be considered as improper use, which may cause considerable danger to users and property and will void the product warranty.
- Please only use this product for its intended purpose within a residential environment. Failure to do so will void your warranty.
- We reserve the right to make changes for product improvements.

# BEFORE ASSEMBLY YOUR SHUTTER WALL

- Please read all the instructions carefully before you begin, and follow the steps in the order they are presented.

## **a. Make sure you have all the tools required for assembling your shutter wall.**

In order to assemble your shutter wall safely and correctly, please ensure you have access to the following tools and accessories, all of which are not provided.

I. protective gloves	II. hard hat	III. screw driver
IV. hammer drill	V. hammer	VI. pencil

## **b. Make sure you have all necessary parts**

Check that you have all parts from list of the parts .If any parts are missing or damaged, please connect with us by email.

## **c. Lay the parts out in separate staging areas:**

The list of Parts has the corresponding step number referenced to each part. We recommend that when you look through the parts list, prepare staging areas for each step and place the parts you will need for each step in these areas. Doing this will save your time and effort during assembly.

If possible, place the parts on cardboard or other soft surface to protect from scratching the painted surfaces.

**d. Select a suitable location:**

In order to assemble your shutter wall safely and correctly, please note the following three points.

**I.**

**The ground  
should be  
solid and flat.**

**II.**

**The ground  
should be  
level.**

**III.**

**No  
overhanging  
trees or  
power lines.**

 **Warning:**

- Most terraces or patios are designed with a slight slope to prevent (rain) water from forming pools or reaching the house or other structures. For the perfect shutter wall installation, a level surface without such a slope is required. Small pebbles could also prevent the shutter wall from being safely secured on the ground.
- If the shutter wall is installed on an uneven surface, it may prevent accessory components from working correctly and may void the product.

**Prepare a foundation:**

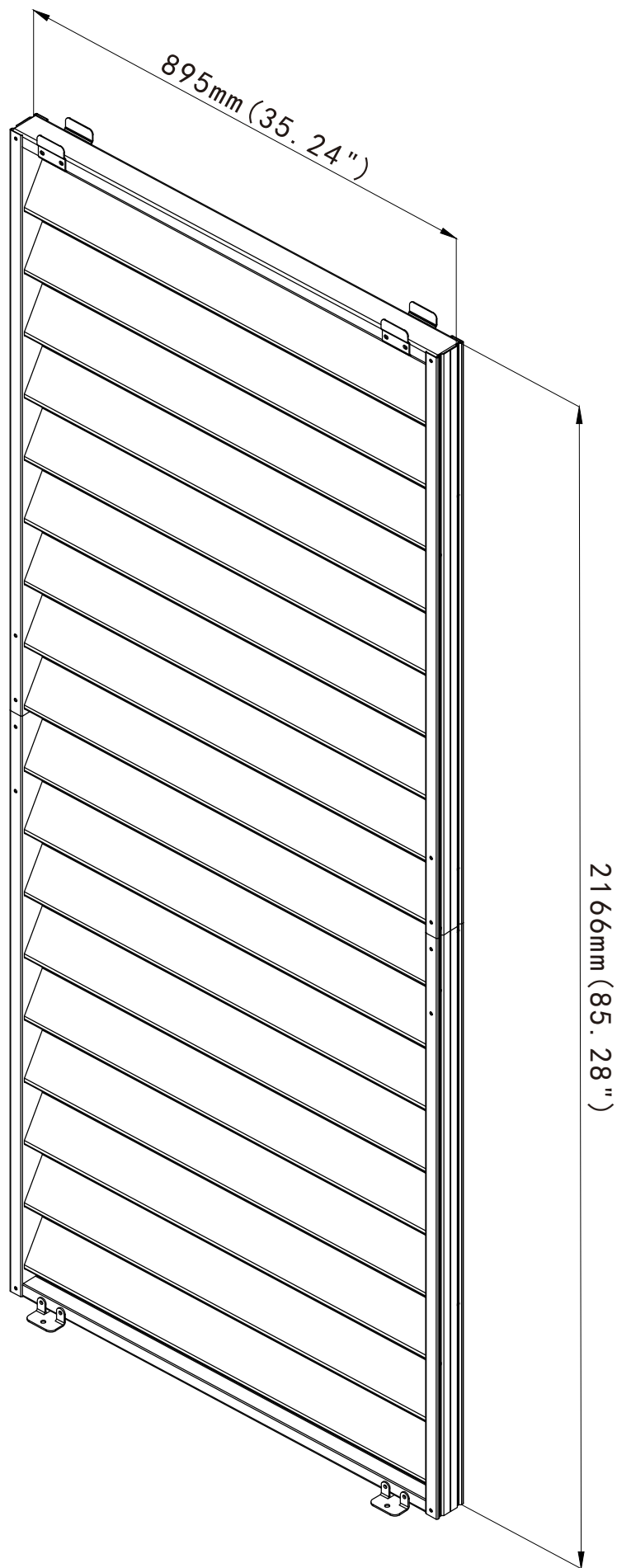
- Check for underground pipes and cables (Call 811 before you dig if you live in the USA).
- Check with your local authorities regarding any building permits that may be required.
- Contact a reliable contractor if you decide to have a concrete base.

# IMPORTANT SAFETY ADVICE

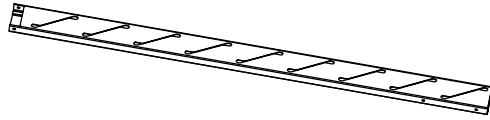
- For the safety of all persons installing and using the shutter wall, it is important to follow the safety guidelines below.
  - a. The shutter wall must be positioned and fixed on flat level surface.
  - b. Always wear appropriate work shoes, gloves and eye protection when working.
  - c. Work well away from power lines, particularly when handling metal parts.
  - d. Dispose of all plastic bags safely. Keep them out of the reach of children.
  - e. Keep children and pets away from the assembly area until the work is completed.
  - f. Do not attempt to assemble the shutter wall in windy or wet conditions.
  - g. Do not touch moving parts during operation.
  - h. Hot items such as recently used grills, blowtorches etc. must not be stored under or close to the shutter wall.
  - i. Make sure the shutter wall complies with local building regulatory codes.
  - j. Working at heights can be dangerous. Always wear protective clothing to prevent injury in the event of a fall.

- k. Only use ladders and scaffolding with a high load-carrying capacity.
- l. If using power tools or a ladder, always follow the manufacturer's safety instructions.
- m. Keep clothing and body parts away from the shutter wall to prevent them from getting caught in the moving parts
- n. Only use replacement parts that are approved by the manufacturer.
- o. Changes to the design or configuration of equipment may not be made without consulting the manufacturer or authorized representative.
- p. Electrical Installation may only be carried out by certified personnel according to the applicable regulation (e.g. VED 100 for Europe)
- q. Installation of non-Domi branded pergola will void the product warranty and can damage the operation mechanism.
- r. It is recommended that two people lift the side wall once assembled. Ensure you lift with the correct posture & technique.
- s. After prolonged use were commend you check all the fittings are tightened securely.
- t. Please recycle packaging where possible.

# SIZE

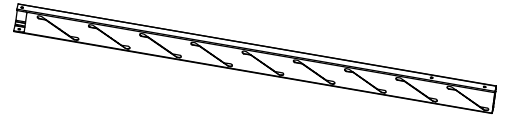


I



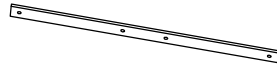
(A1) x2

Vertical Beam



(A2) x2

Vertical Beam



(B) x4

Vertical Beam Support Tube



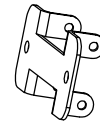
(C) x18

Louver



(D) x2

Horizontal Bar



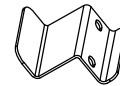
(E) x2

Foot Pad



(F) x4

Top Beam Bracket



(G) x2

Top Beam Bracket



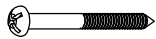
(H) x4

M5x8



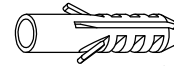
(I) x16

ST4. 2x22



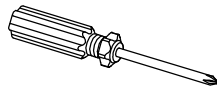
(J) x4

ST5. 5x50

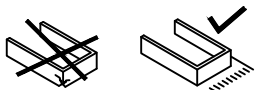


(K) x4

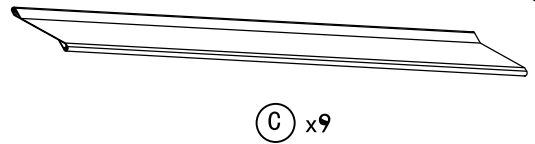
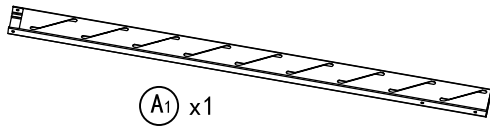
8x4



(L) x1

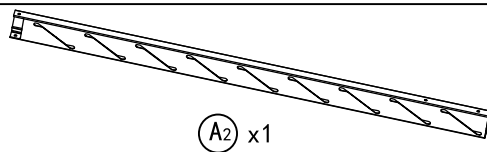
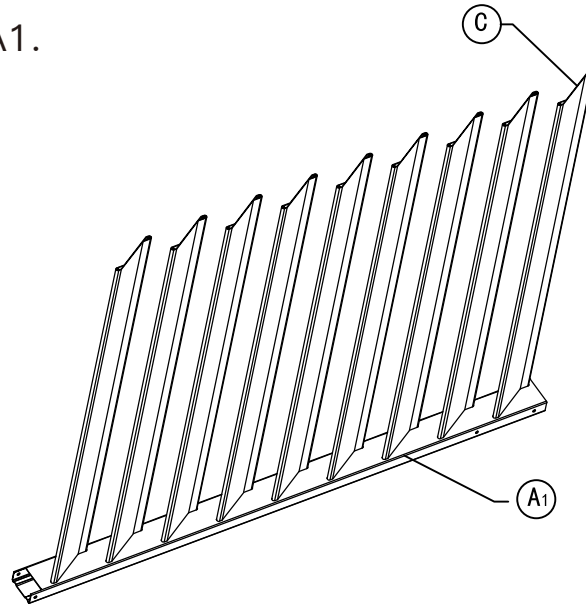


1

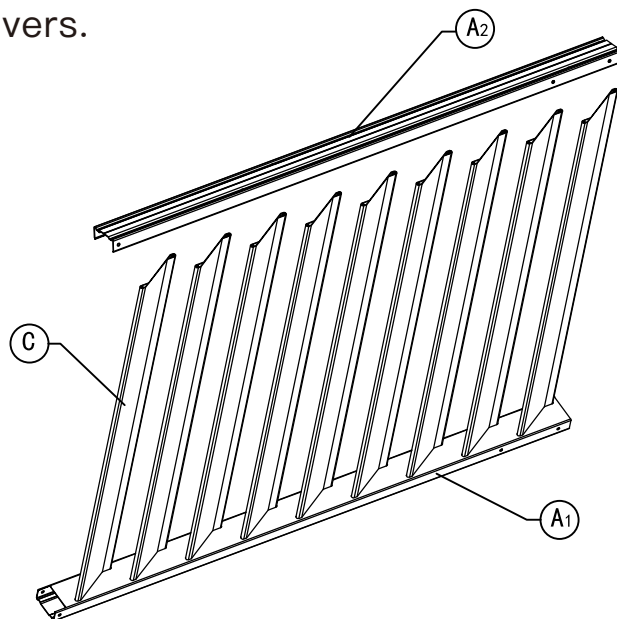


## LOUVERS ASSEMBLY:

(1) Insert 9 louvers into the vertical beam #A1.

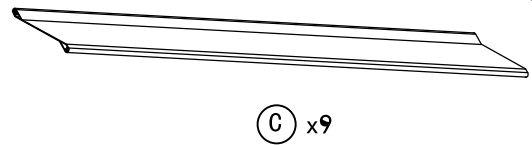
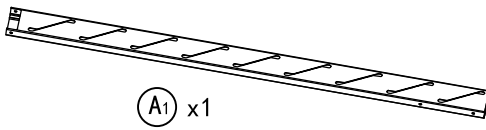
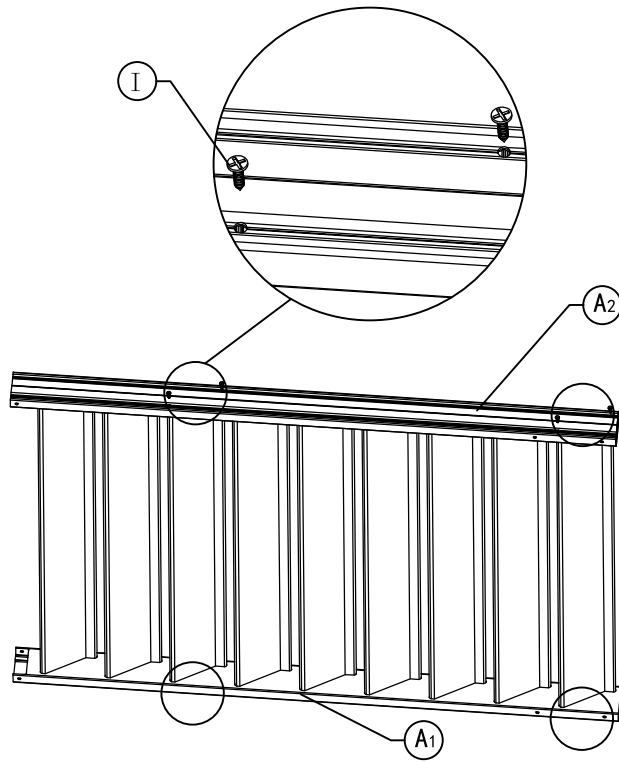


(2) Place another vertical beam #A2 onto the louvers.

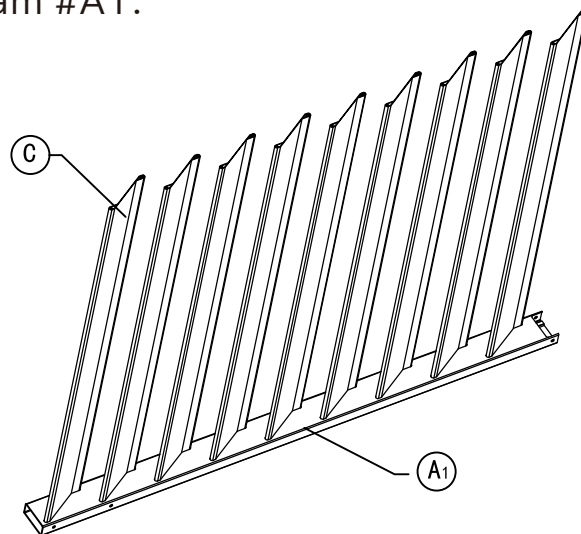


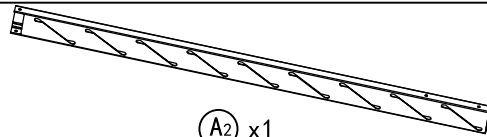
ST4. 2x22  
I x 8

L x 1



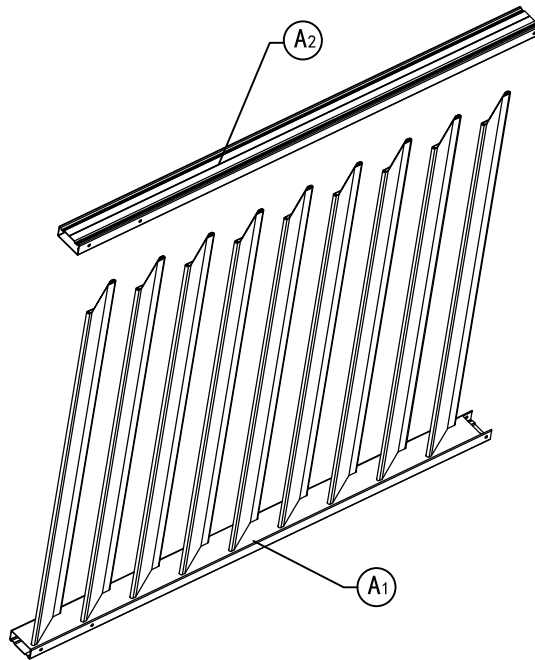
(1) Insert 9 louvers into the vertical beam #A1.





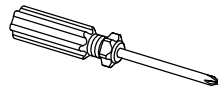
A2 x1

(2) Place another vertical beam #A2 onto the louvers.

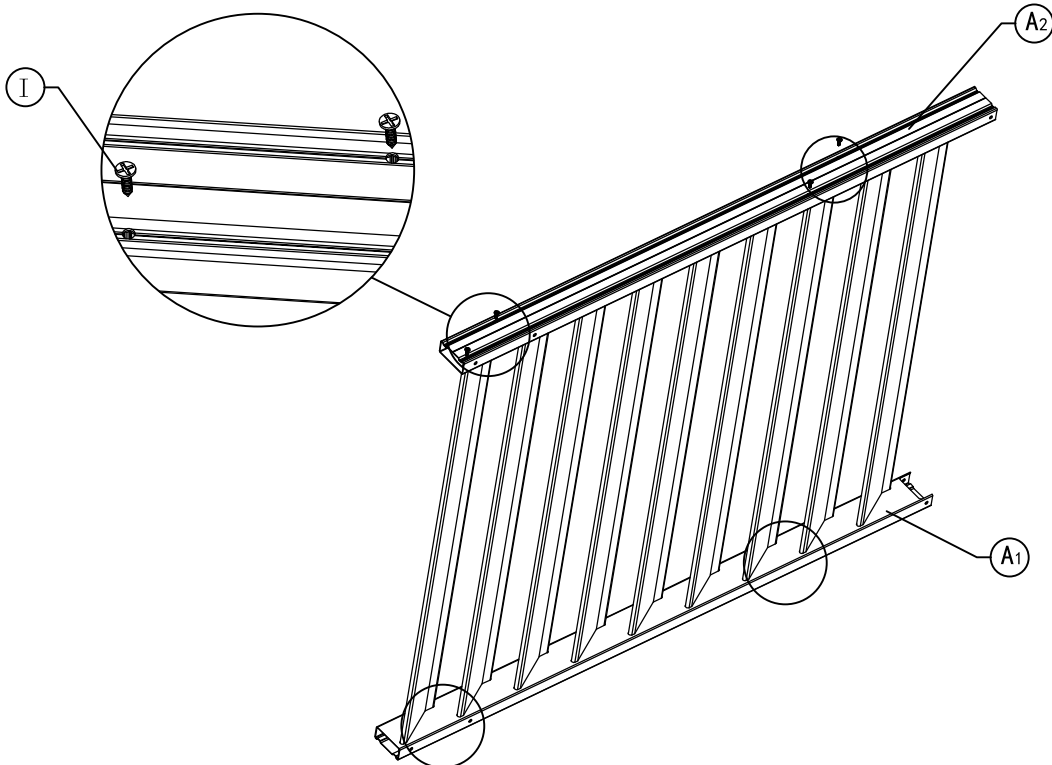


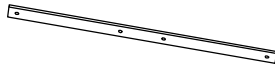
ST4. 2x22

I x 8



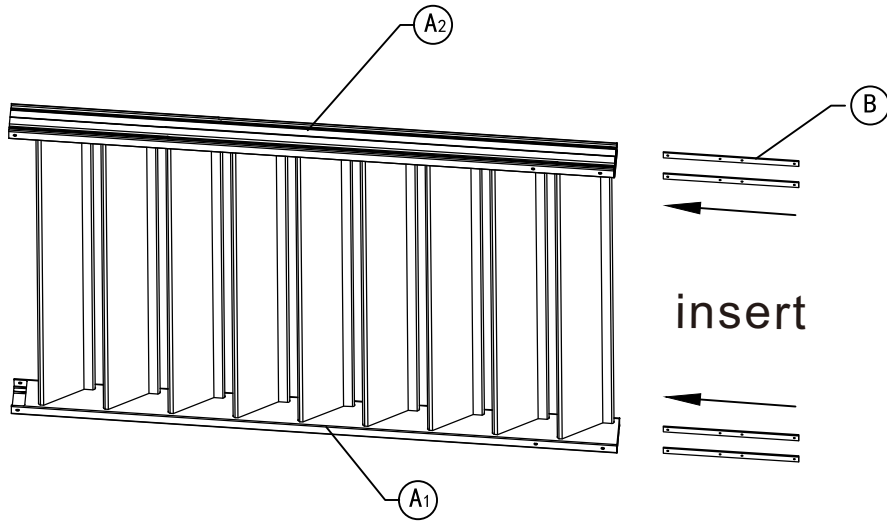
L x1





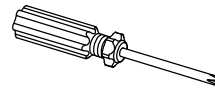
(B) x4

## VERTICAL BEAM SUPPORT TUBE ASSEMBLY:

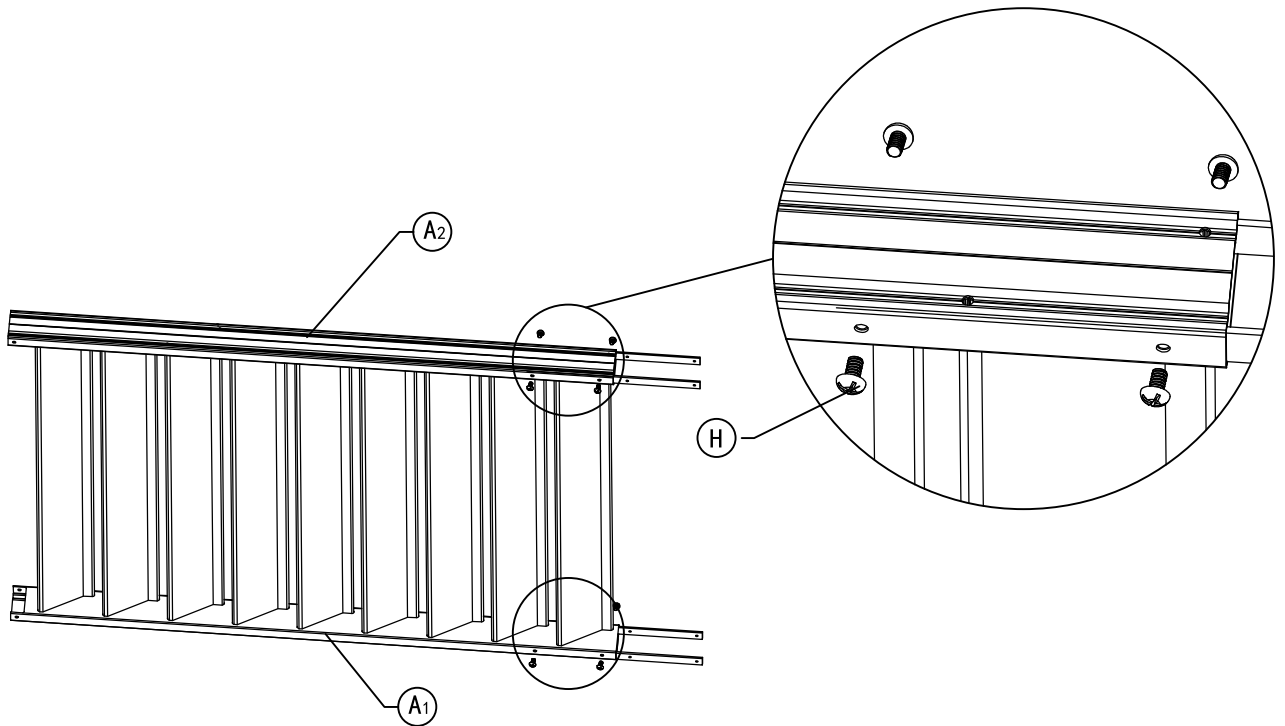


M5x8

(H) x8



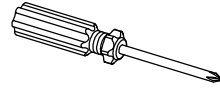
(L) x1



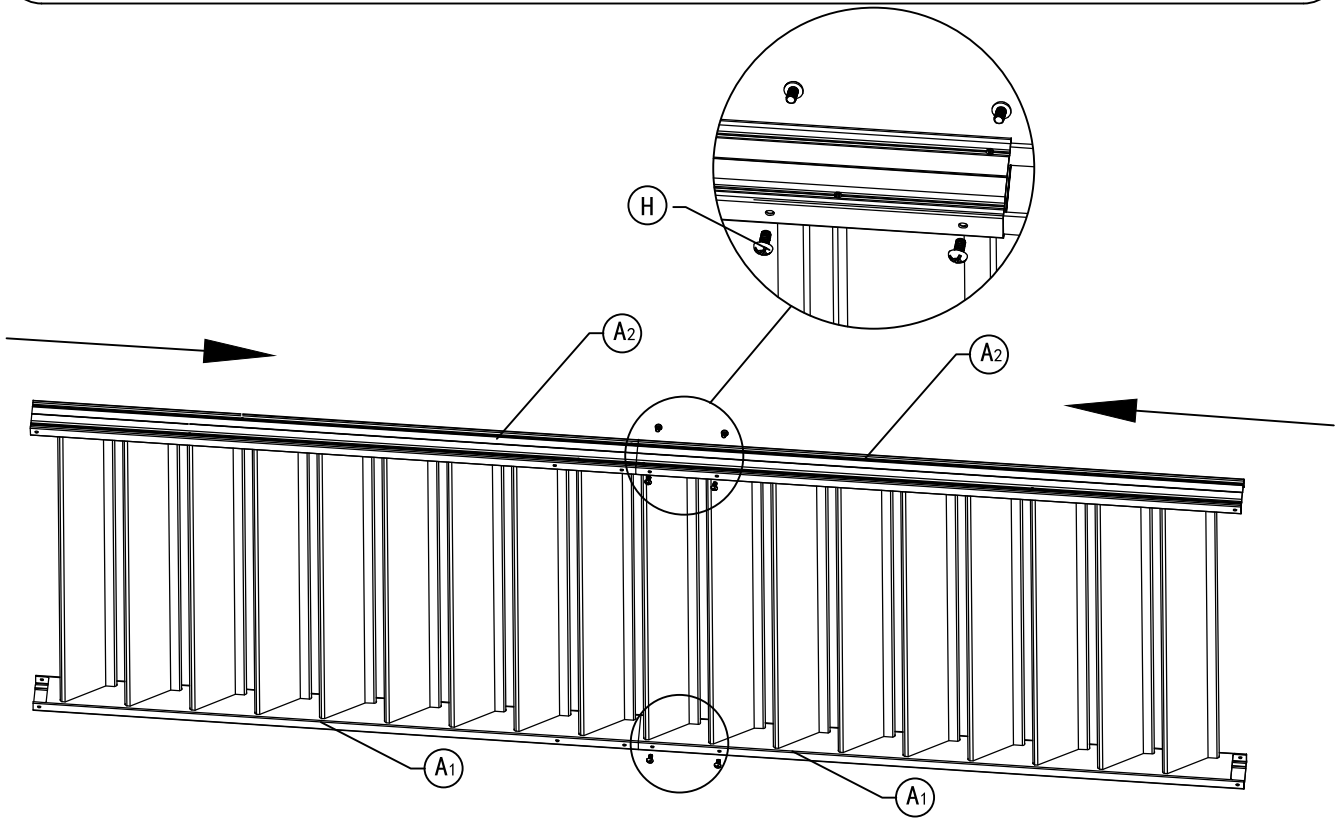


M5x8

(H) x4



(L) x1

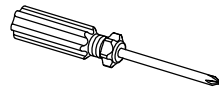


(D) x1



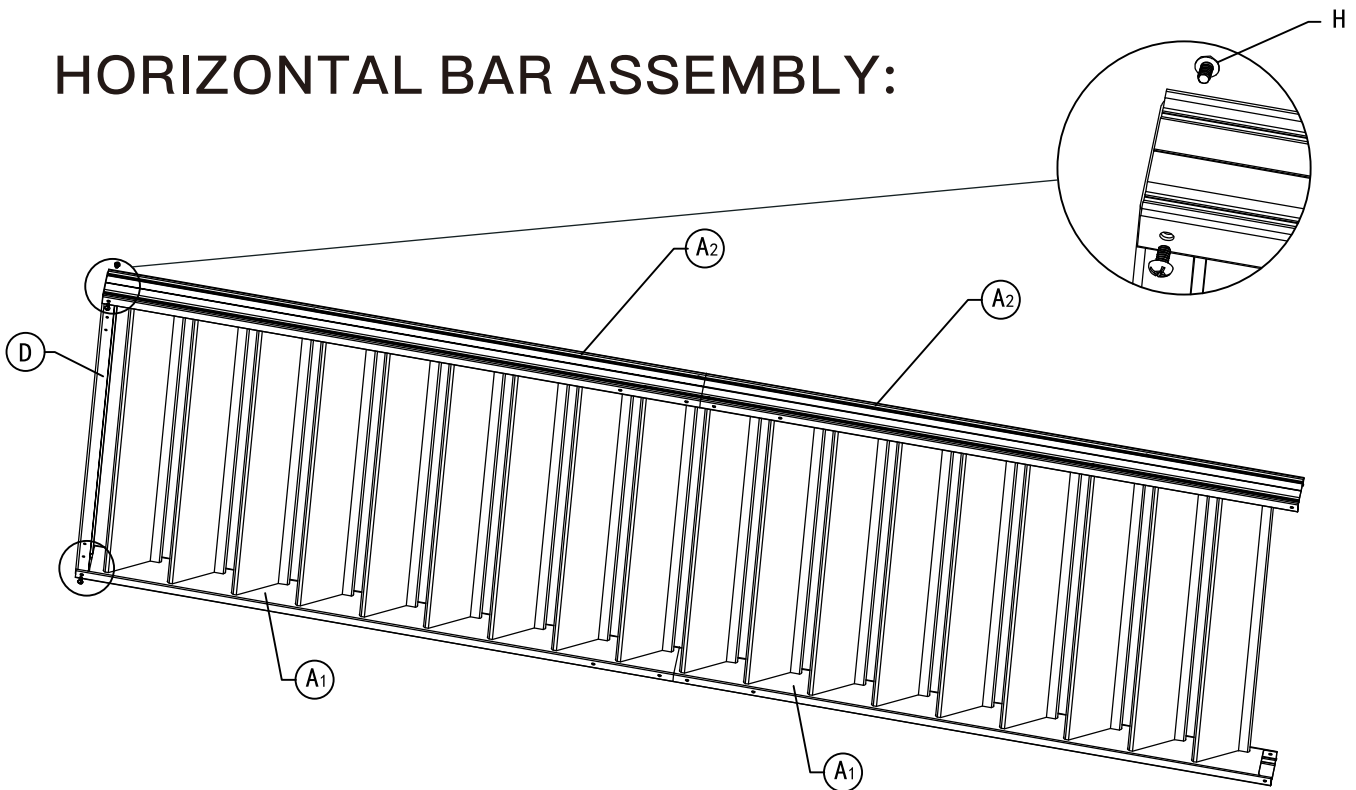
M5x8

(H) x4



(L) x1

## HORIZONTAL BAR ASSEMBLY:



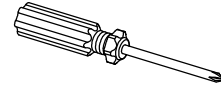


(D) x1

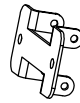
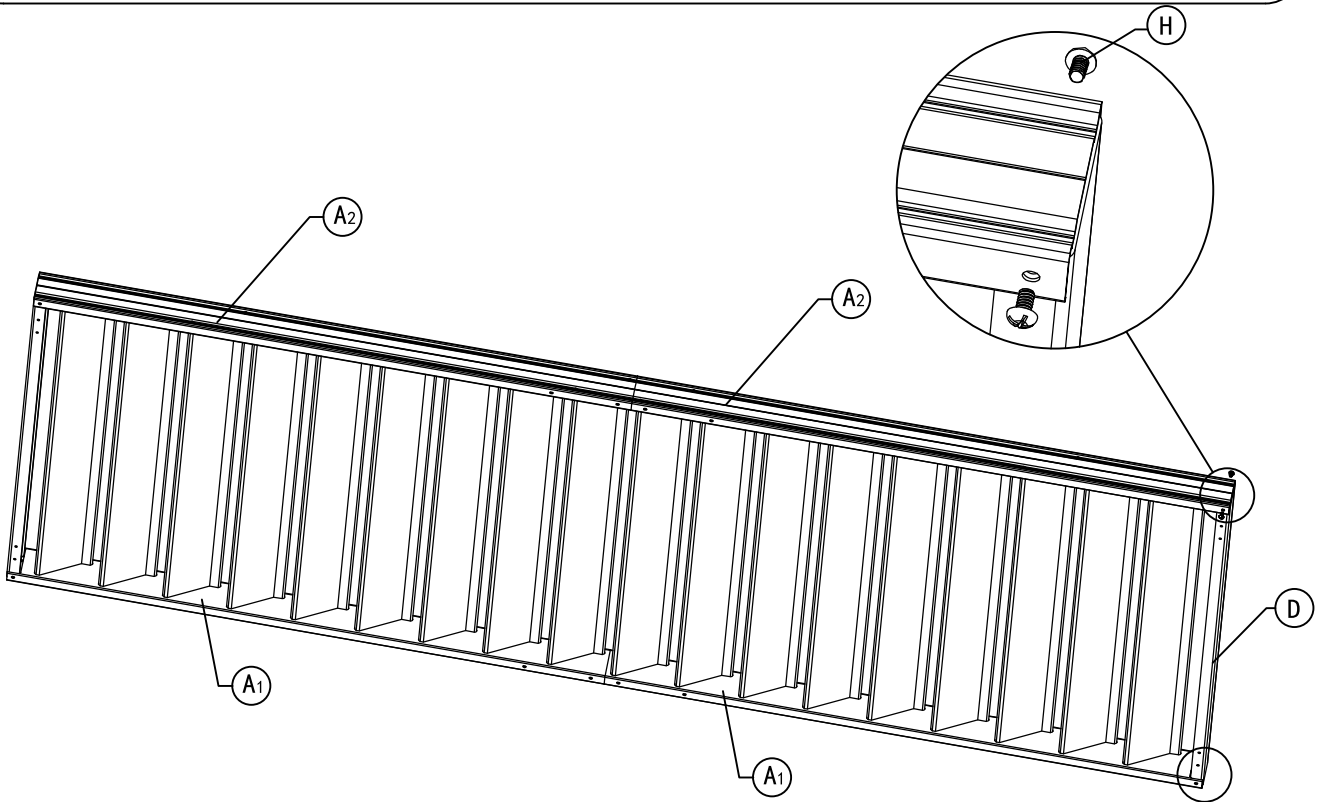


M5x8

(H) x4

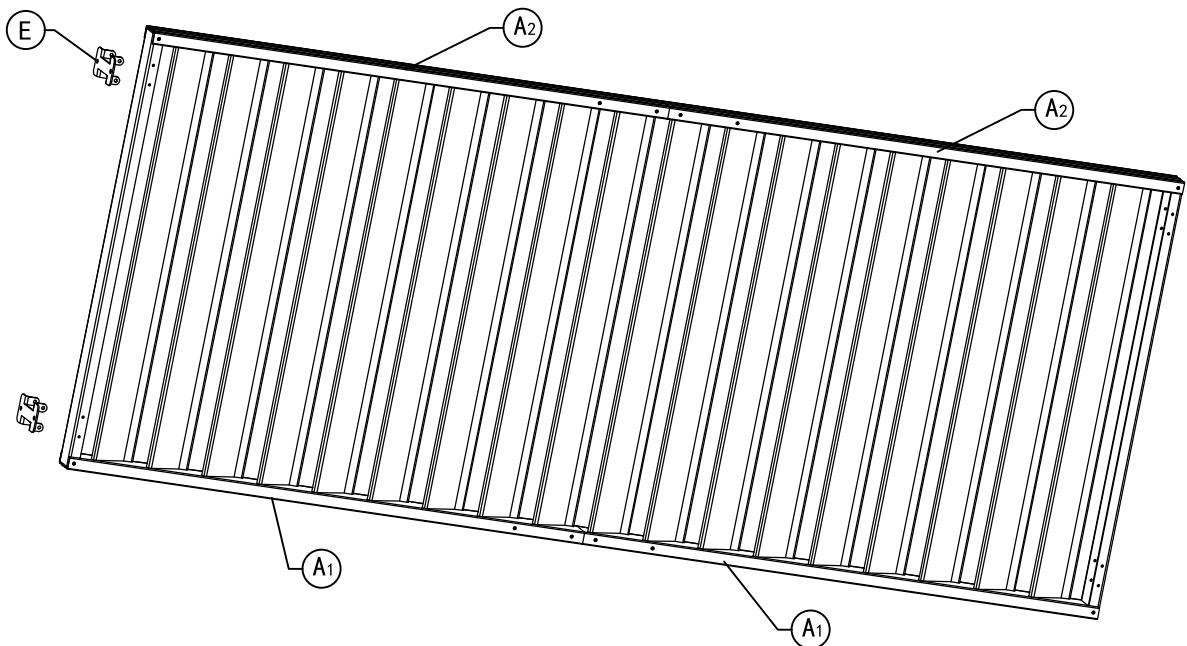


(L) x1



(E) x2

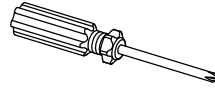
## FOOD PAD ASSEMBLY:



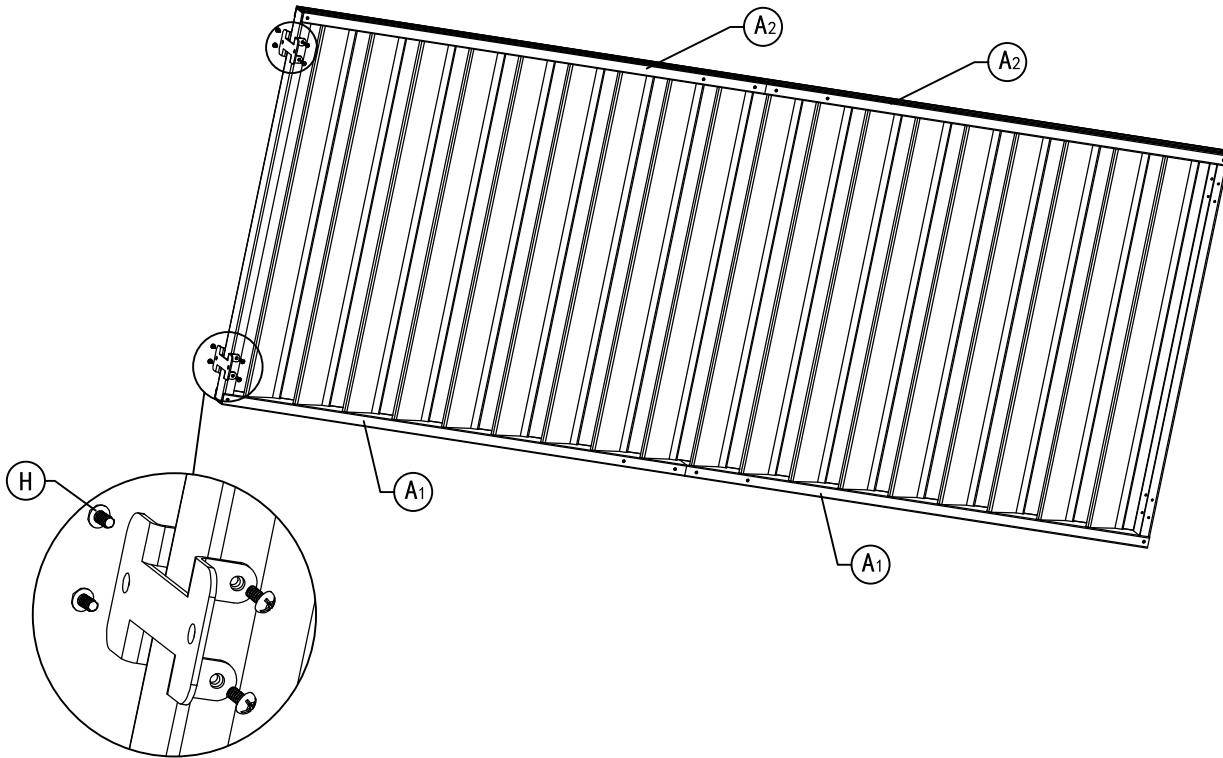


M5x8

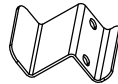
(H) x8



(L) x1



(F) x4

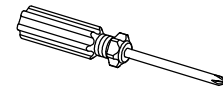


(G) x2



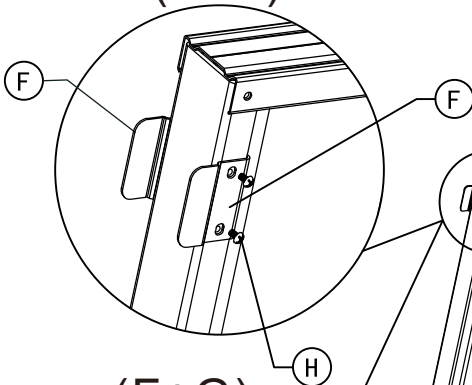
M5x8

(H) x8

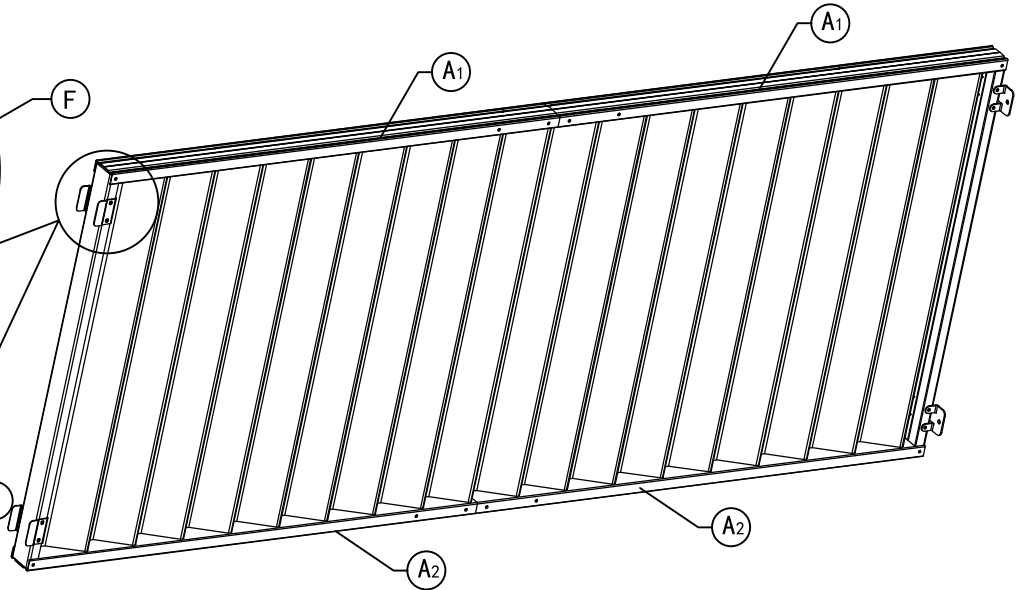
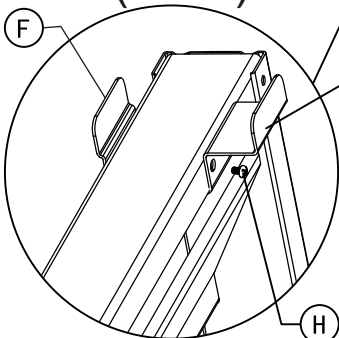


(L) x1

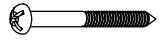
(F+F)



(F+G)



Please use different combinations of F and G (F+G or F+F) to meet different size requirements.



ST5.5x50

(J) x4

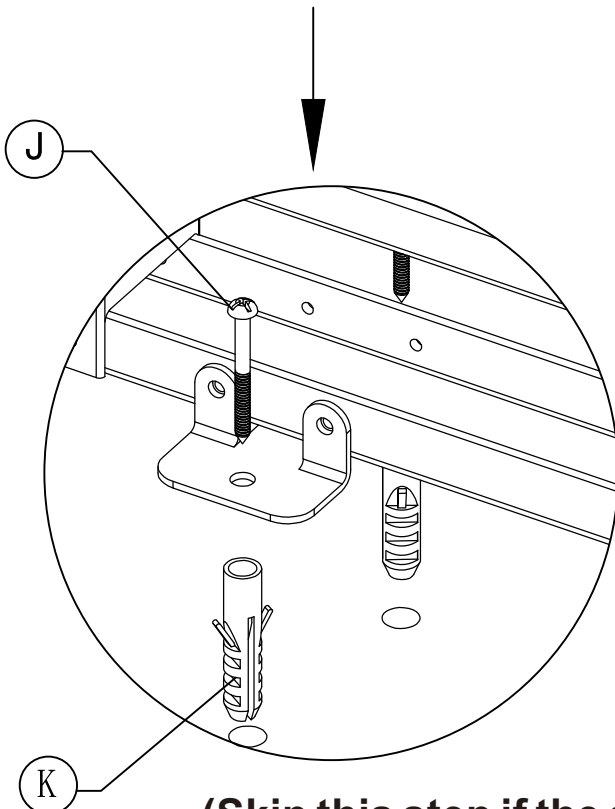
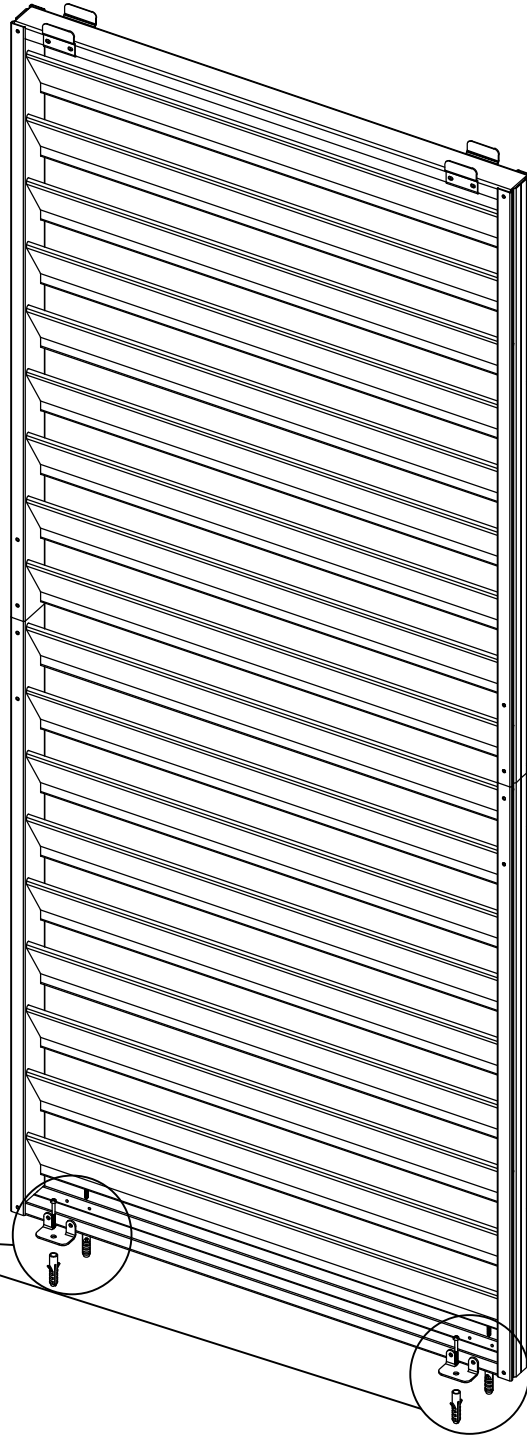
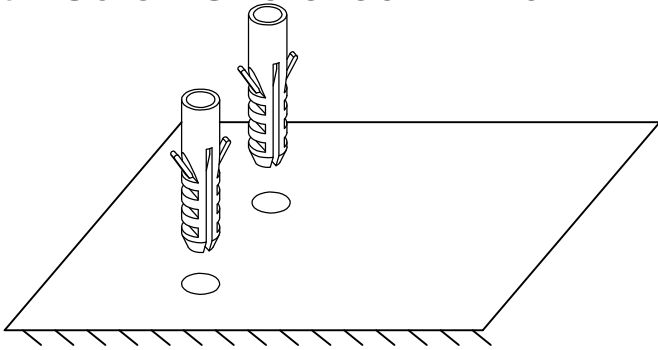


8x4

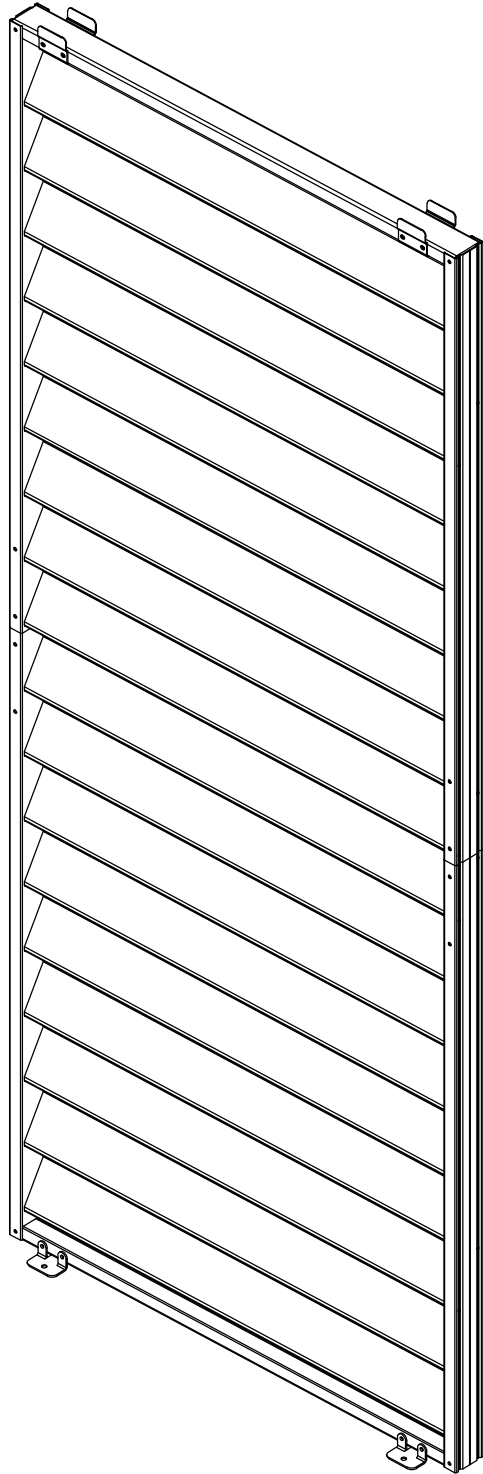
(K) x4

## INSTALL THE SHUTTER WALL ONTO THE PERGOLA

Position the shutter wall (against the pergola pillar or in the center), mark the position of the drill holes on the ground with pencil. Remove the wall, drill holes with hammer drill and knock in the plastic expansion pipe #K with hammer. Fix the shutter wall to the ground with Screw ST5.5x50mm #J.



**(Skip this step if the shutter wall is installed on a wood floor)**





## Thanks for your purchase.

At domi outdoor living, we believe in our products.

That's why we provide a 12-month warranty and friendly, easy-to-reach after-sales service. So, if you have any questions about our product or assembly, please feel free to contact us. We are here for you.

**Support:**  

**After-sales contact email:**

[service@domioutdoorliving.com](mailto:service@domioutdoorliving.com)

**Business cooperation contact email:**

[marketing@domioutdoorliving.com](mailto:marketing@domioutdoorliving.com)

Please have your order ID available if you reach out for support.

If you have damaged parts or product, please send us photos for an immediate response.