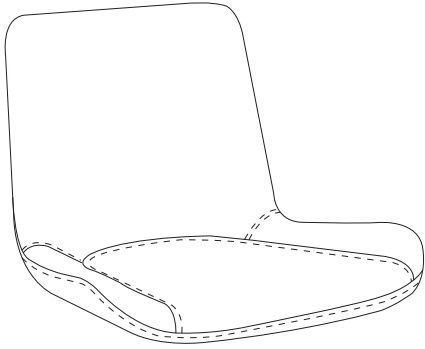
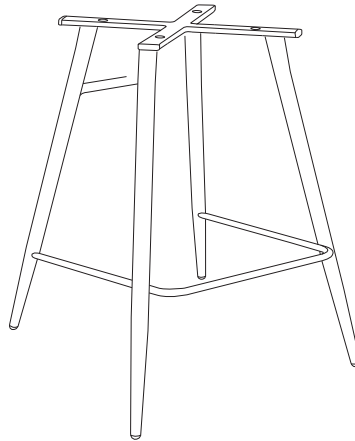


ASSEMBLY INSTRUCTION

① Leather Seat

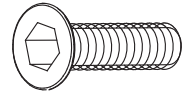


② Metal Legs



③ Accessories

4 x



Bolt

4 x



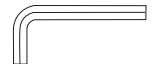
Spring Washer

4 x

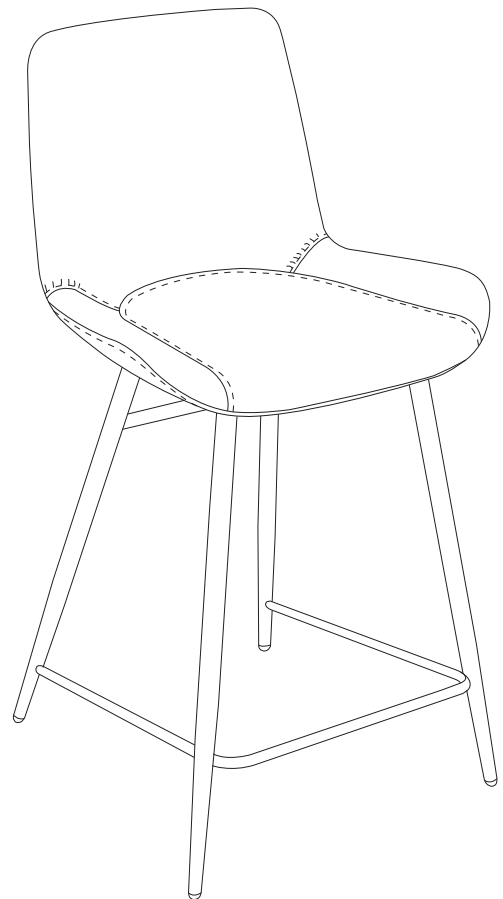
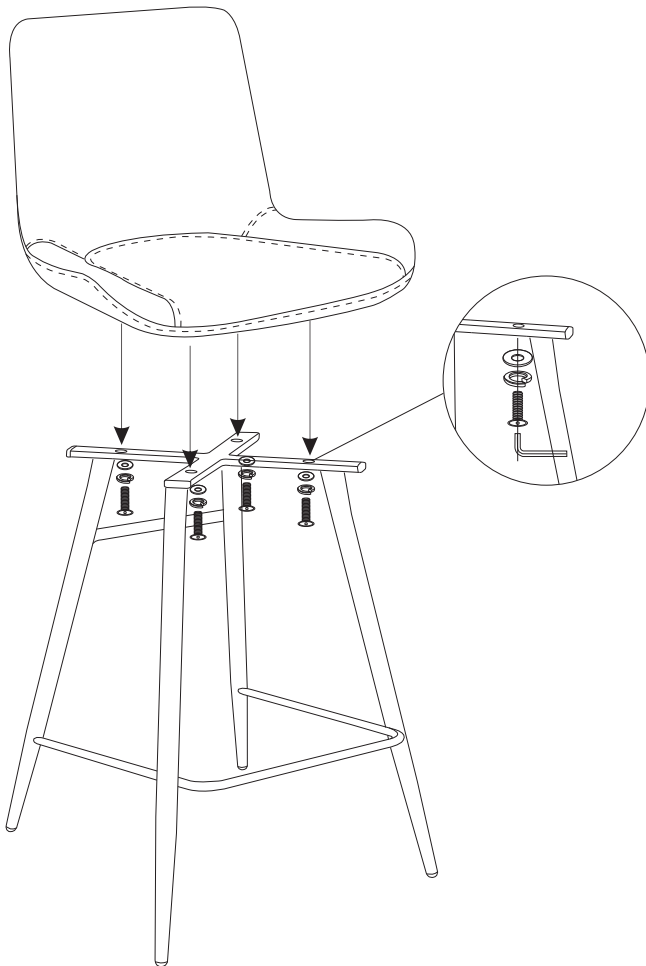


Flat Washer

1 x



Allen key



Instruction to be Followed:-

1. Fix the metal legs with help of the bolts and Allen key as mentioned above.
2. Then attach all the four bolts and fasten the leather seat properly.
3. Do Not tighten all bolts until the metal legs are fastened properly.
4. After the fastening of leather seat and metal legs tighten the bolts properly before use.