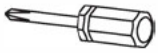


Coffee Table Installation

Tools You Will Need: Tools You May Need



phillips head screwdriver
required of assembly
(not include)



hammer
(not include)



electric drill
(not include)

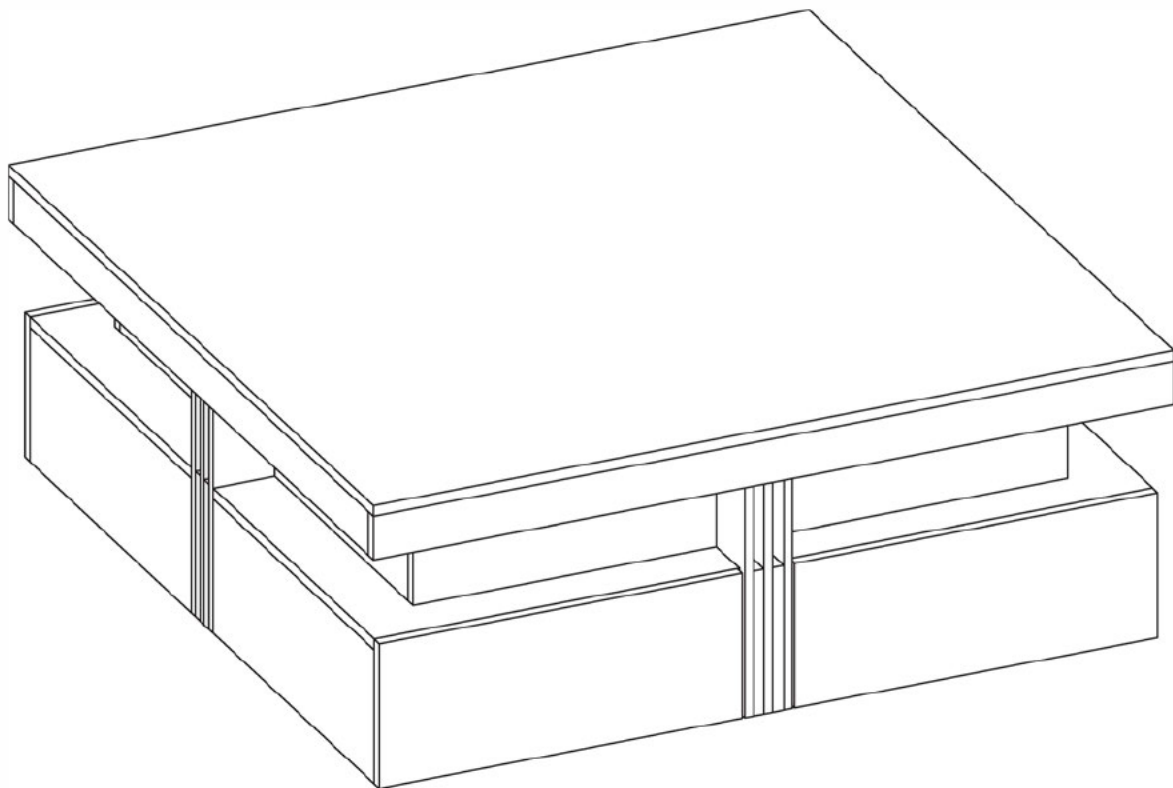
Before the Installation

1. Do not throw away packing materials until assembly is complete for small parts may come loose inside the carton during shipment. If parts are missing, please contact us.
2. Assemble this item on a soft surface, such as carpet to protect the finish.
3. Proper assembly of this item requires 2 people.
4. Periodically check to ensure that all connections are tight.
5. It is recommended that installation of the product be done by a qualified licensed furniture assembler.

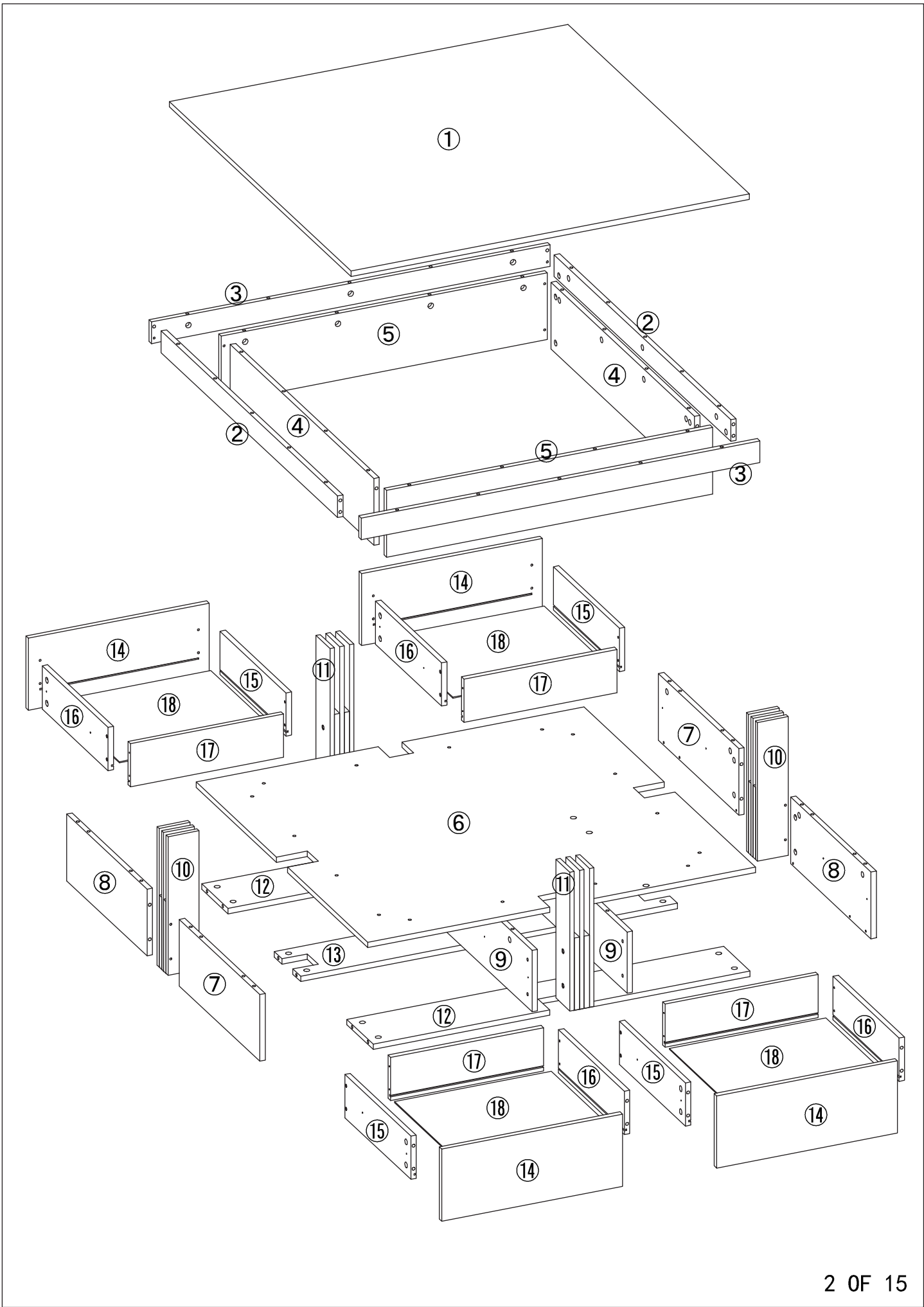
Care and Cleaning

1. To protect the finish, avoid use chemicals and household cleaners.
2. All hot serving dishes should be placed on a pad.
3. Any liquid spilled onto the top should be cleaned up immediately with a damp cloth.

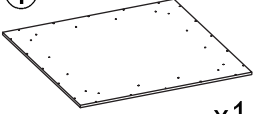

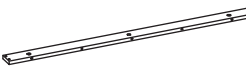
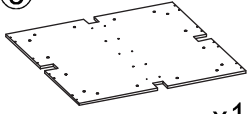
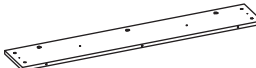
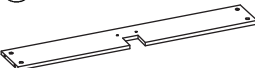

Parts List



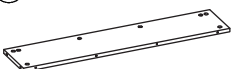
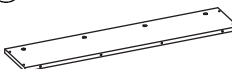
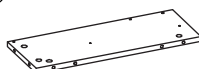




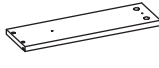


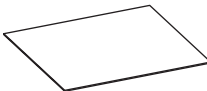
Note: Do not fully tighten all bolts until all parts are in place. Failure to follow these instructions may cause the bolt to misalign during assembly.



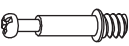












Parts List

①  x1	②  x2	③  x2	⑥  x1	⑨  x2
⑫  x2	⑬  x1			

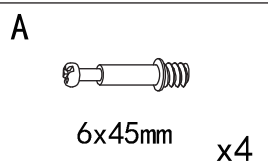
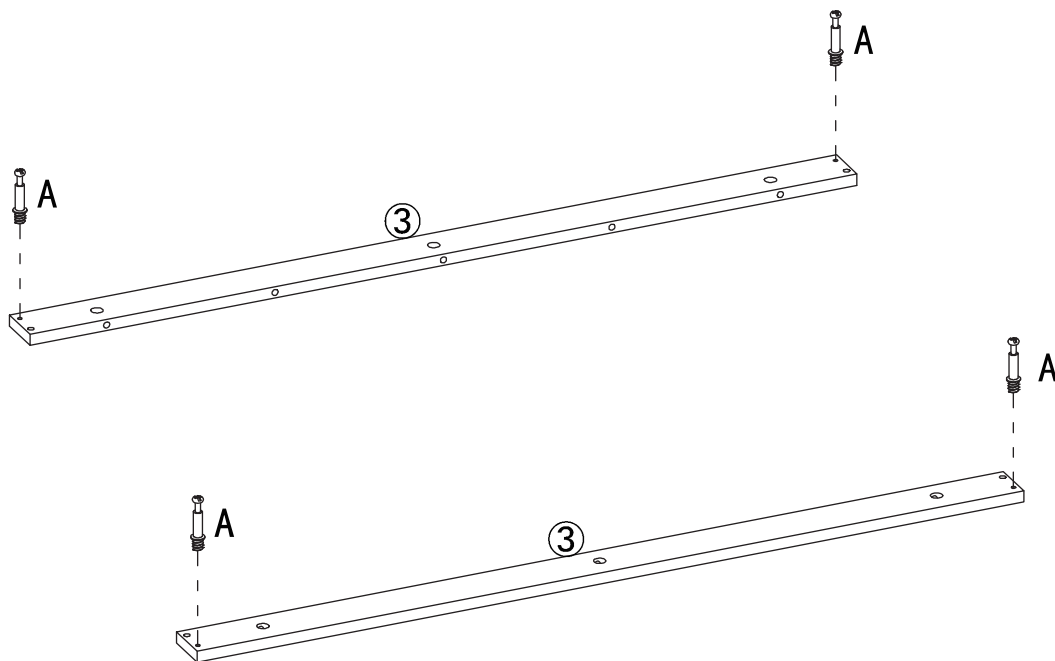
Parts List

④  x2	⑤  x2	⑦  x2	⑧  x2	⑩  x2
⑪  x2	⑭  x4	⑮  x4	⑯  x4	⑰  x4
⑱  x4				

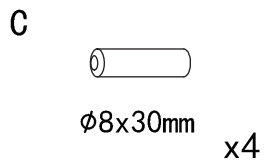
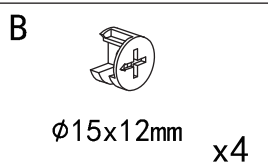
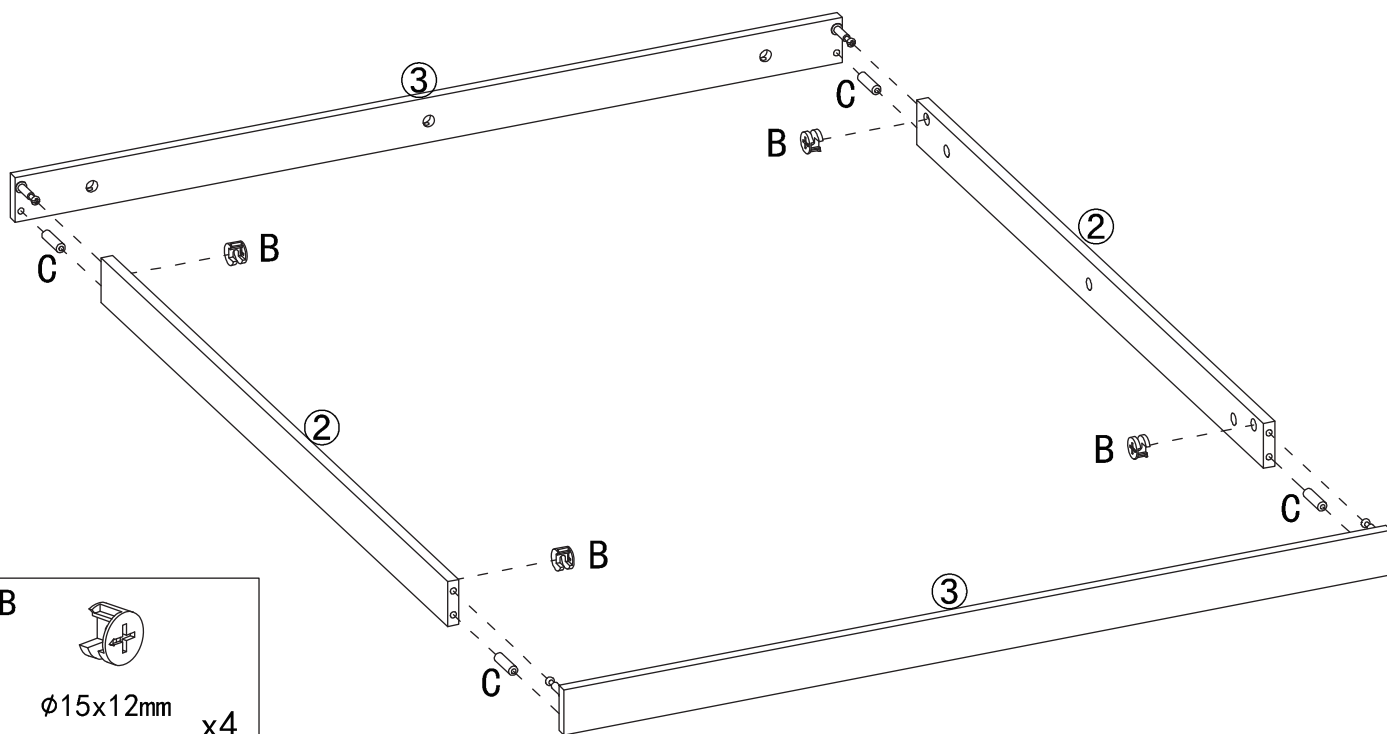
Hardware List

A  6x45mm x90	B  φ15x12mm x50	C  φ8x30mm x24	D  6x50mm x22	E  M6x25mm x8
F  390mm x8	G  390mm x8	H  M4x12mm x48	I  M4x30mm x16	J  φ30x20mm x6
K  M4x25mm x6	L  φ15x9.5mm x40	M  M4 x1		

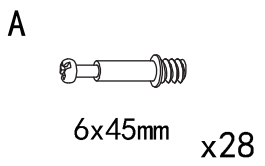
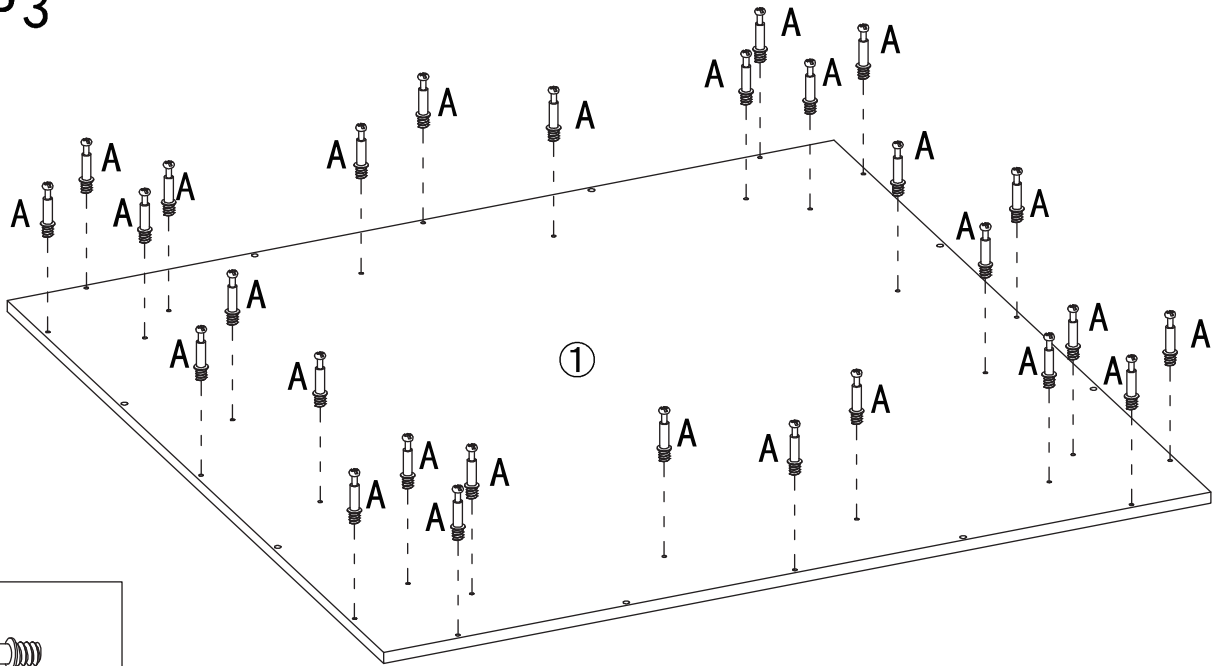
STEP 1



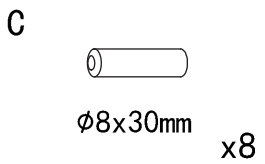
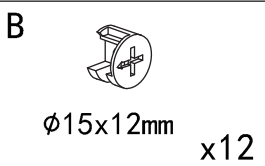
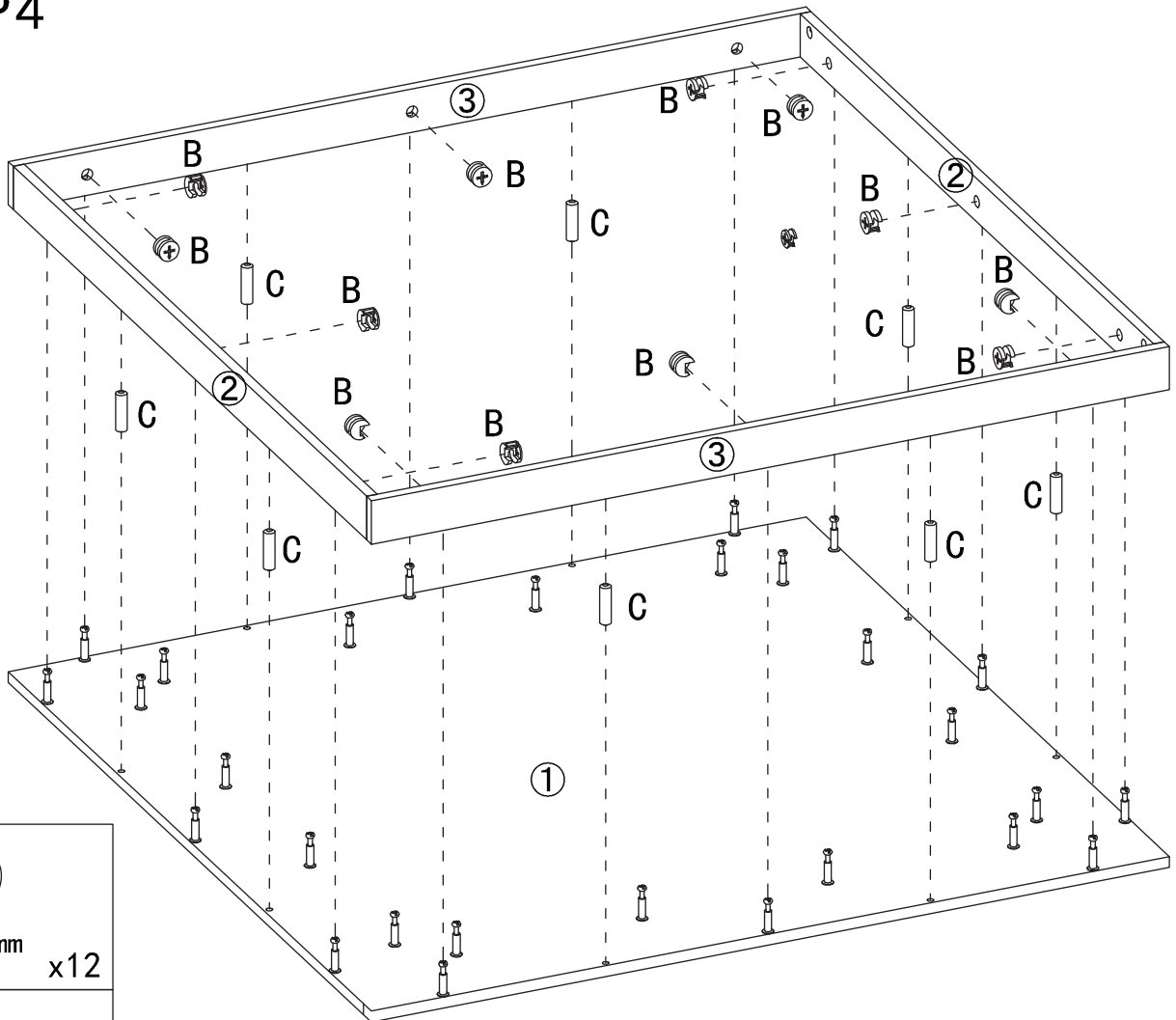
STEP 2



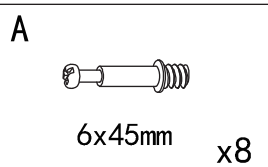
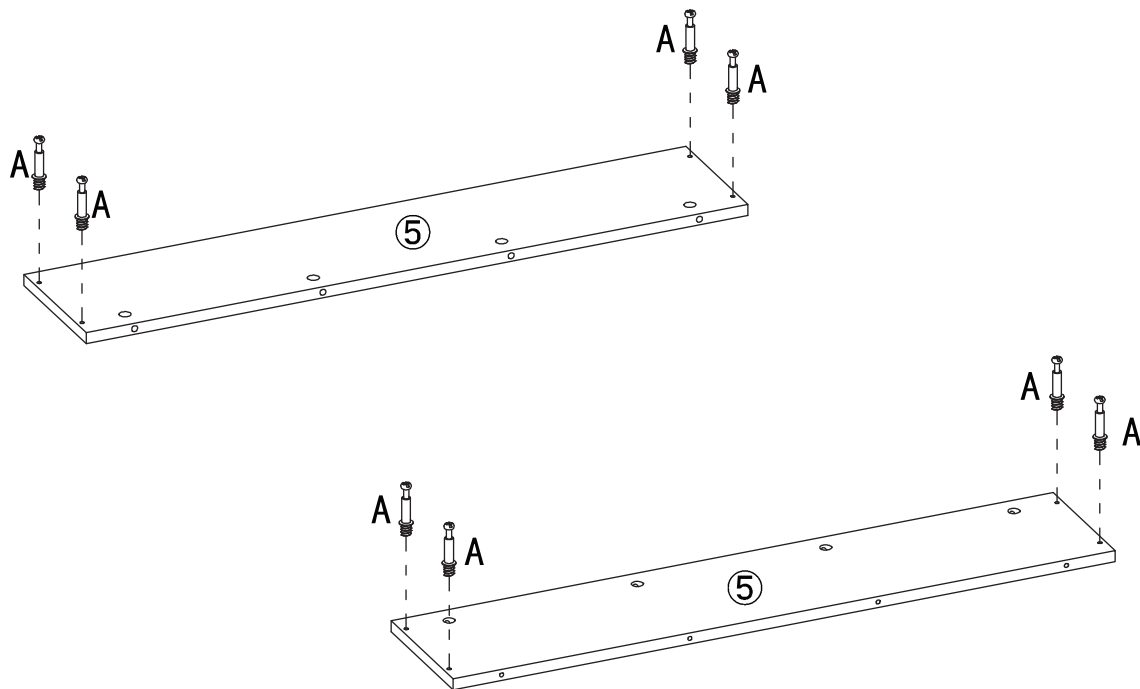
STEP 3



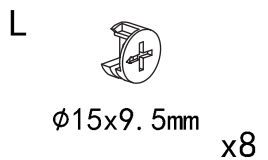
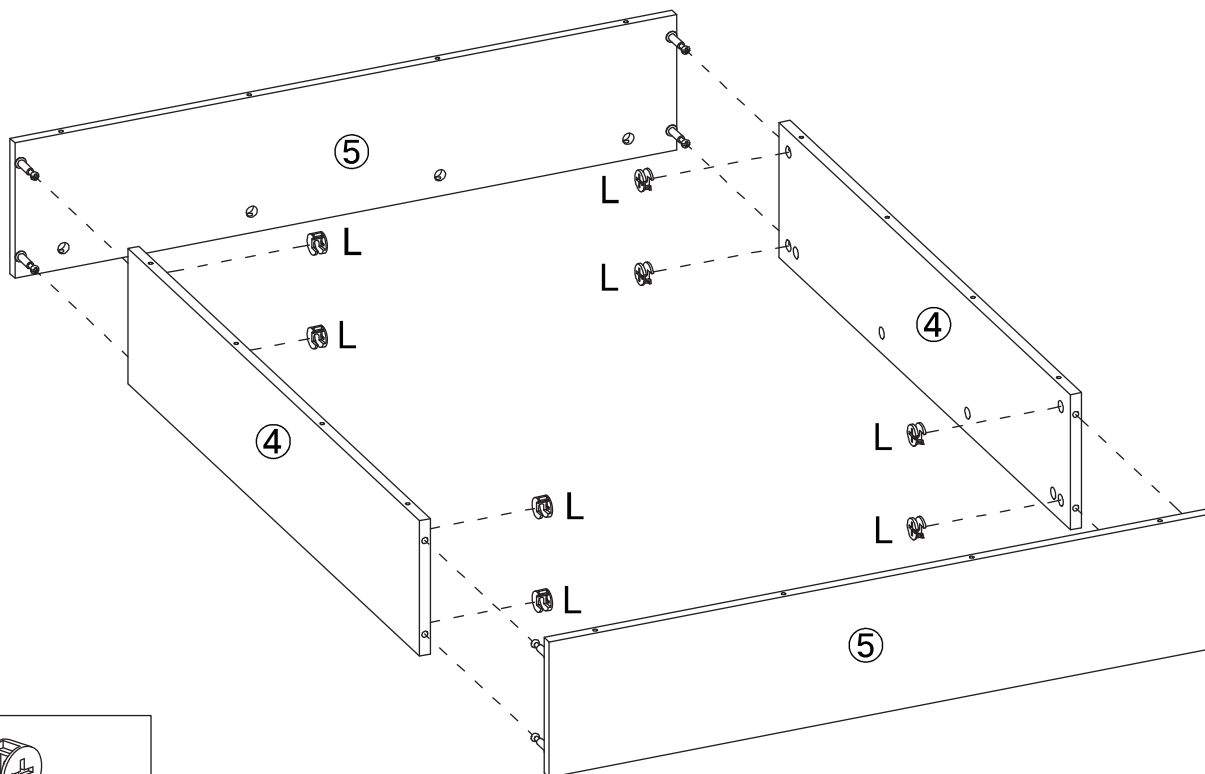
STEP 4



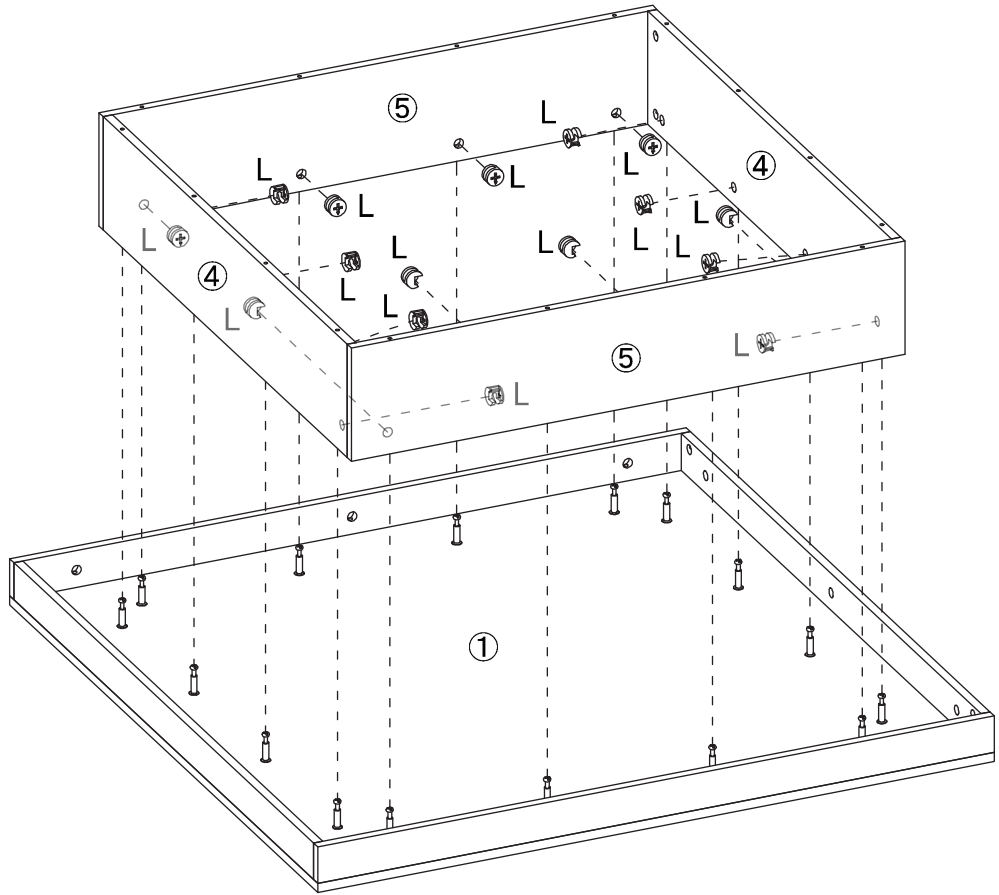
STEP5



STEP6



STEP 7

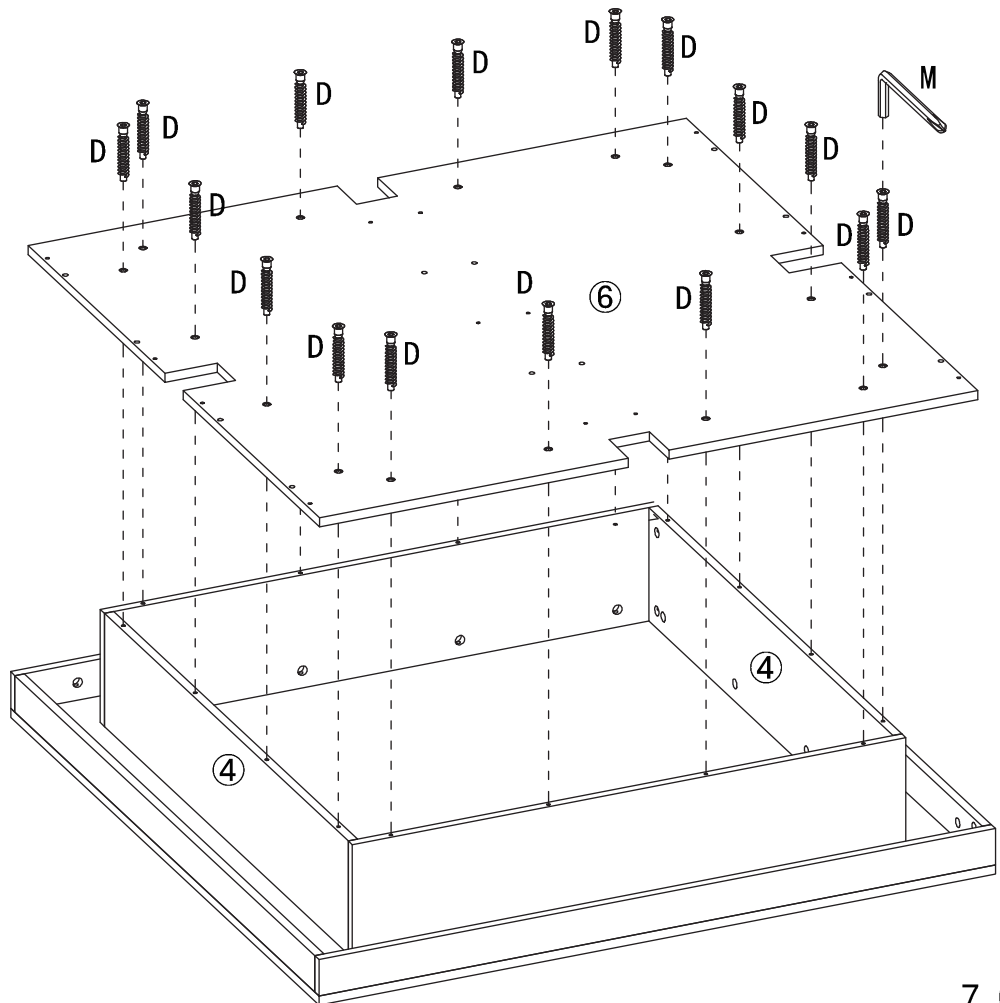


L



Ø15x9.5mm
x16

STEP 8



D



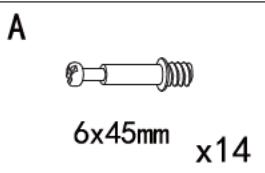
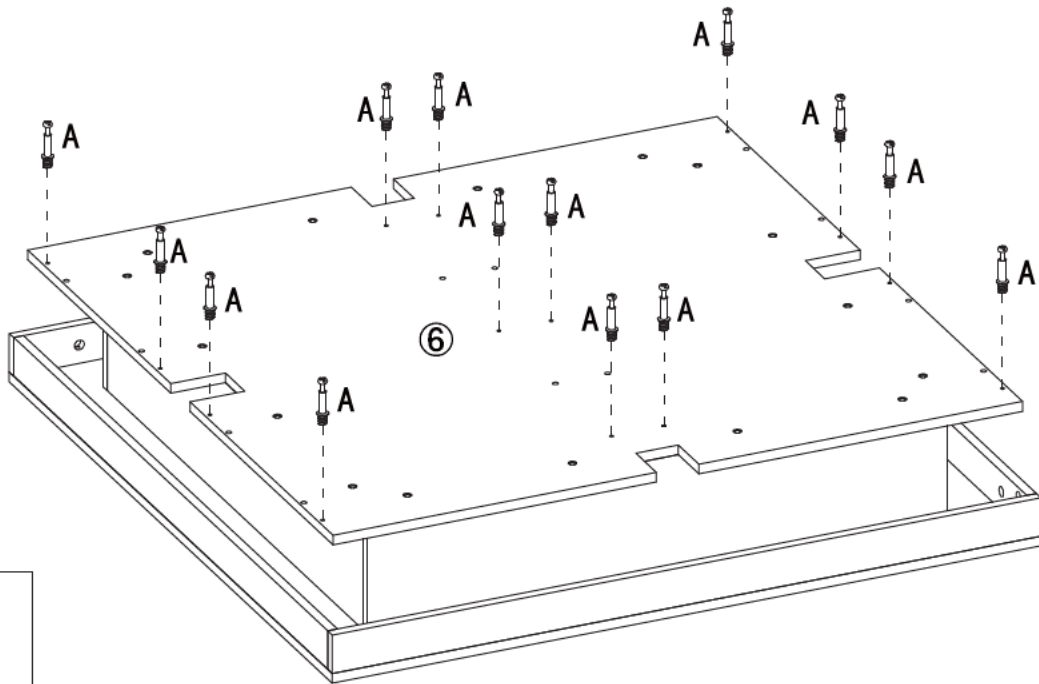
6x50mm
x16

M

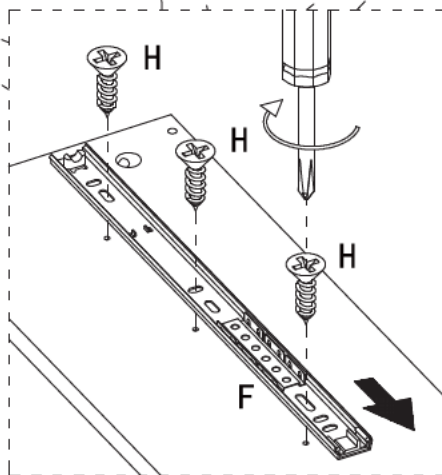
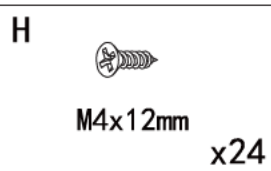
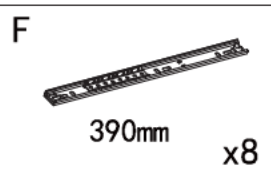
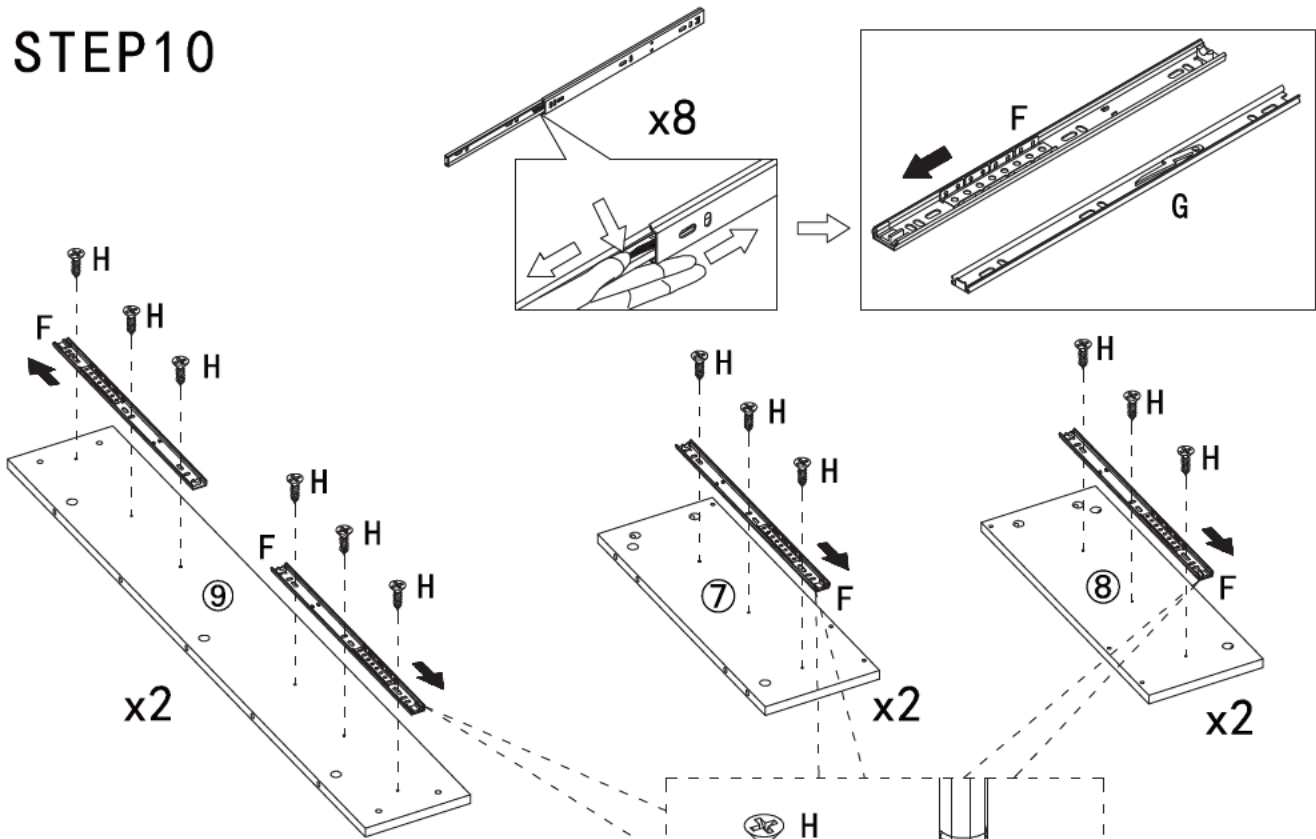


M4
x1

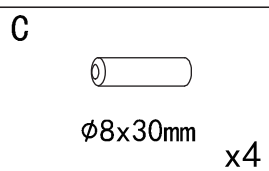
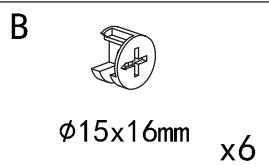
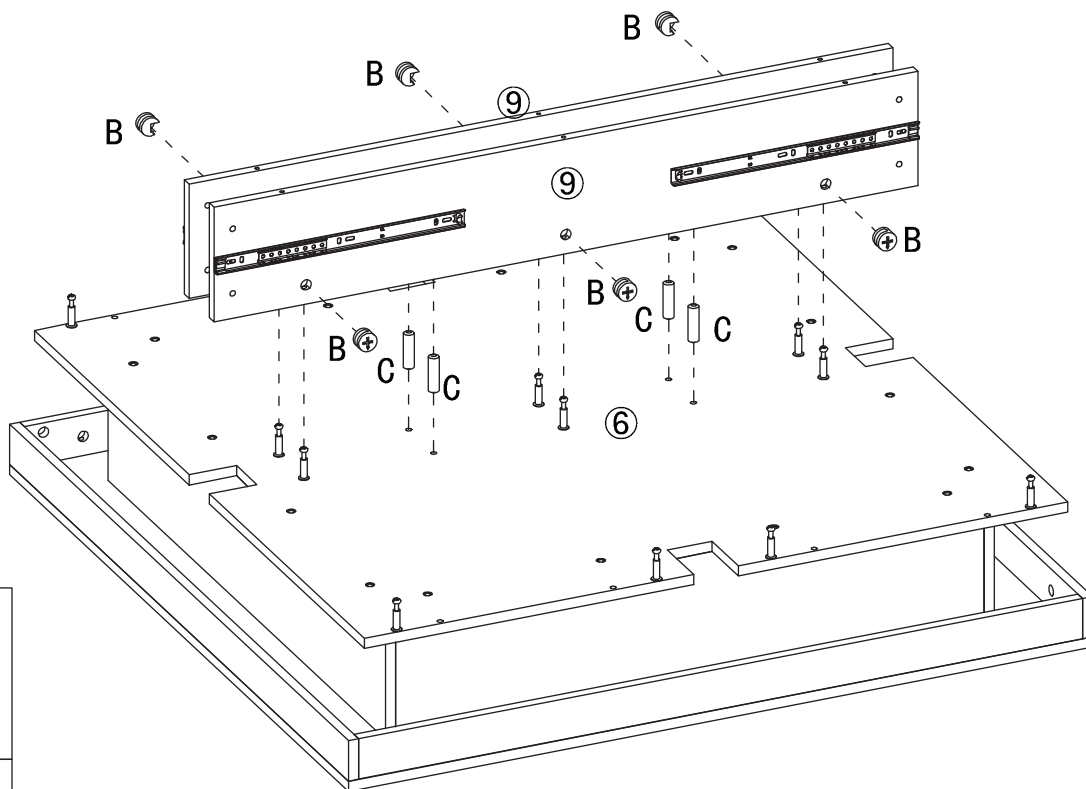
STEP 9



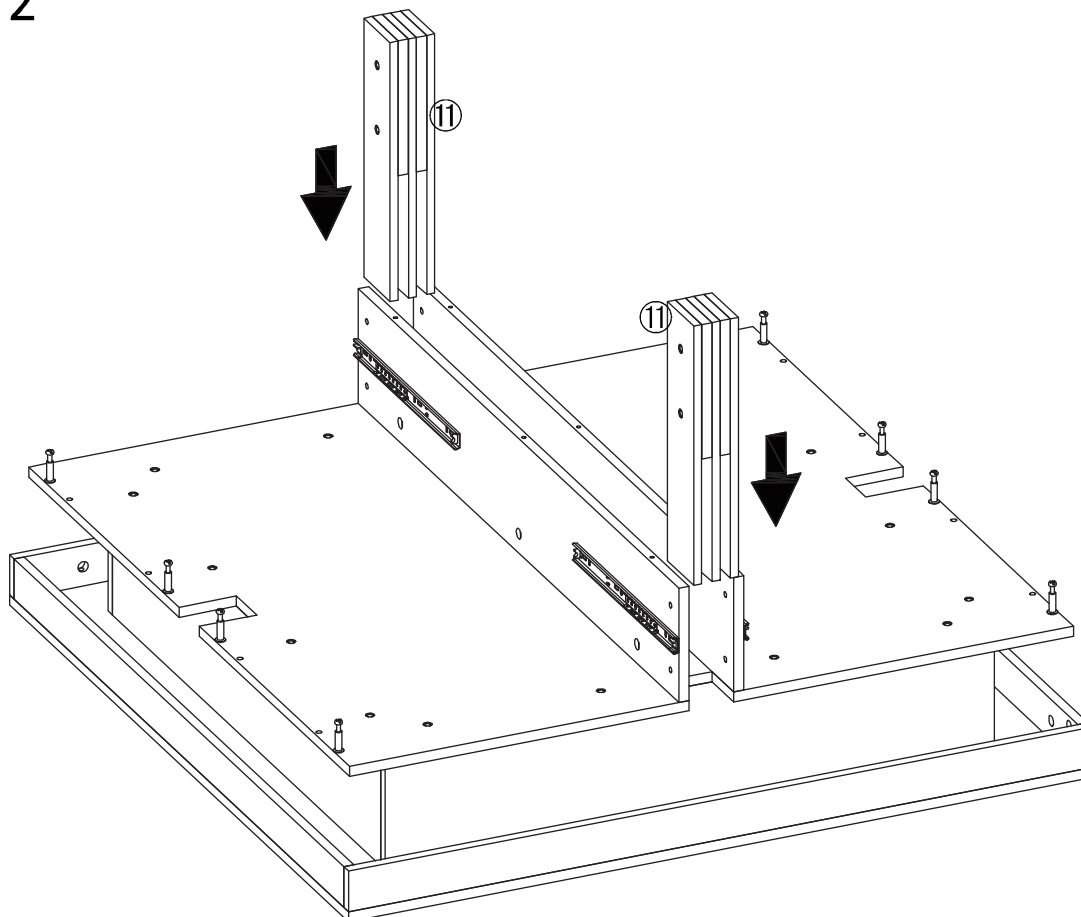
STEP 10



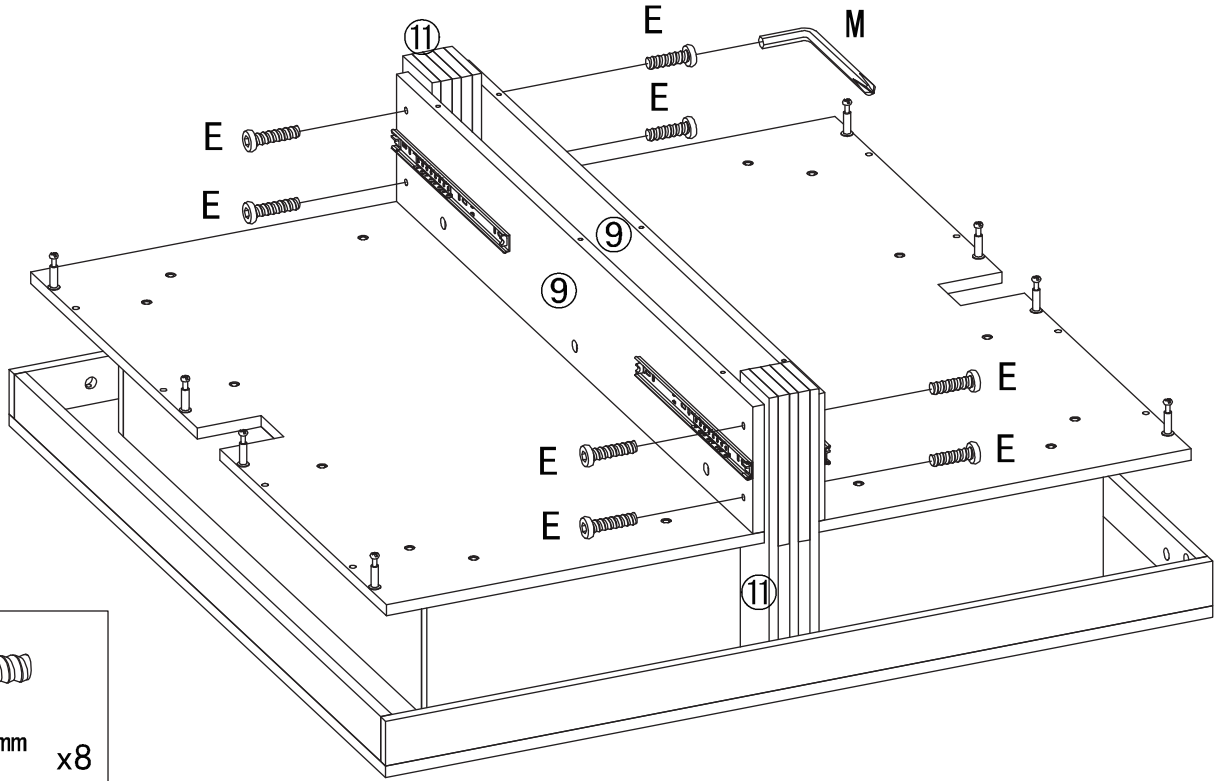
STEP 11




STEP 12



STEP 13




E



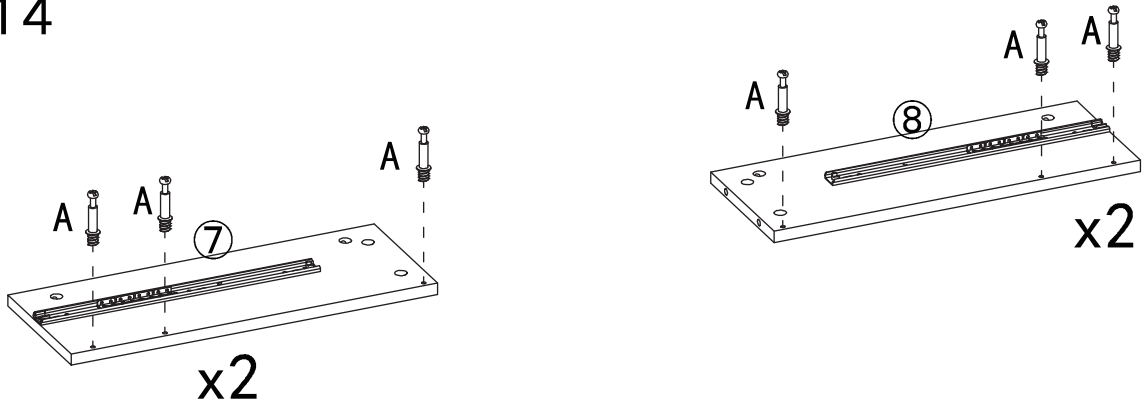
M6x25mm x8

M

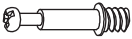


M4 x1

STEP 14

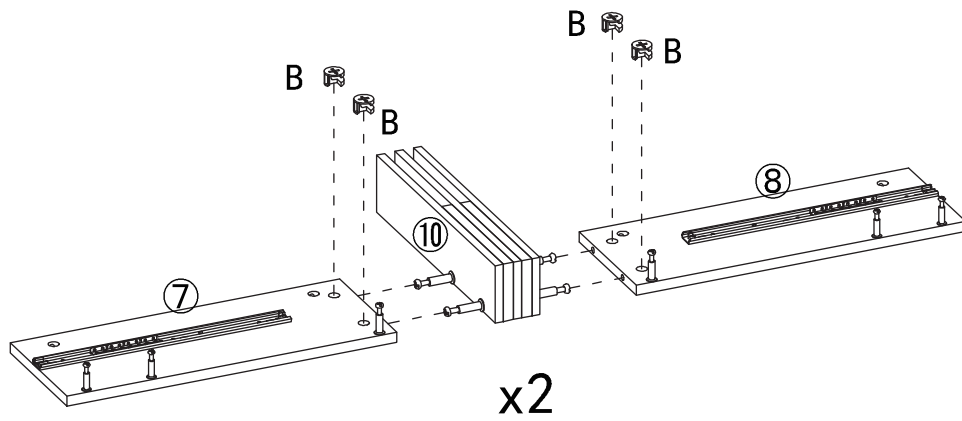


A

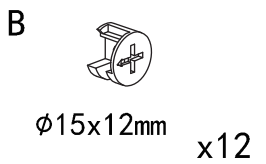
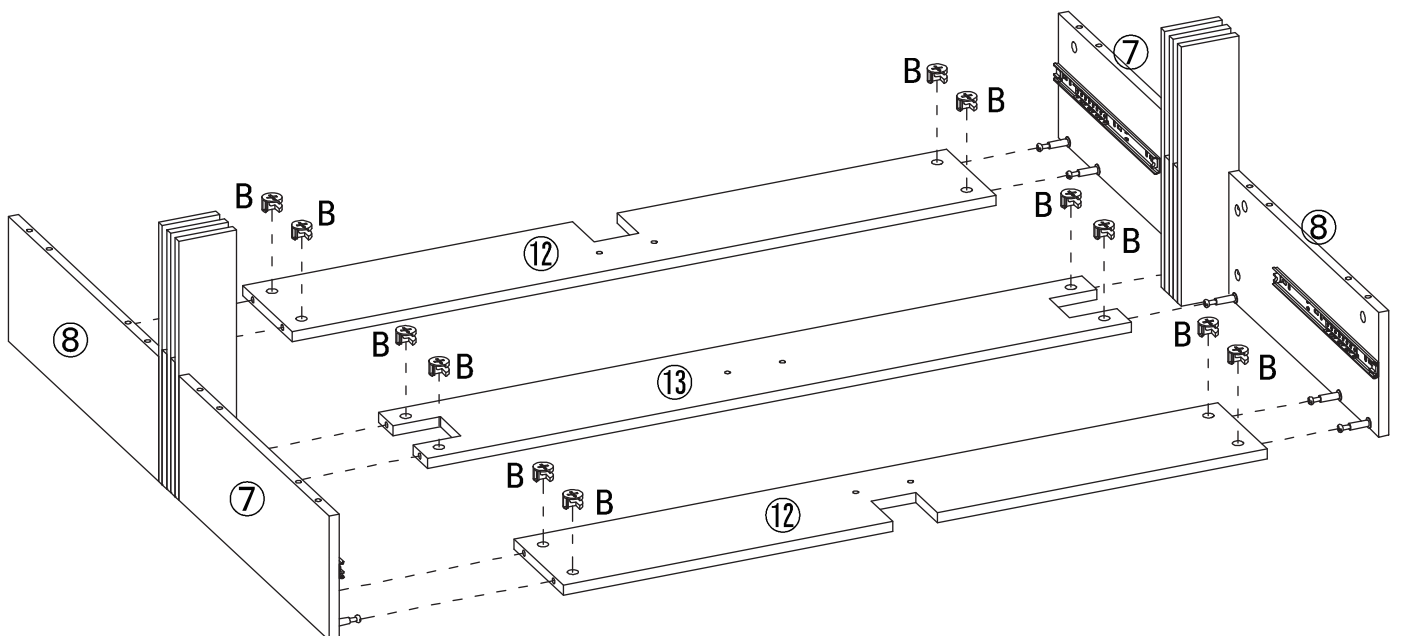


6x45mm x20

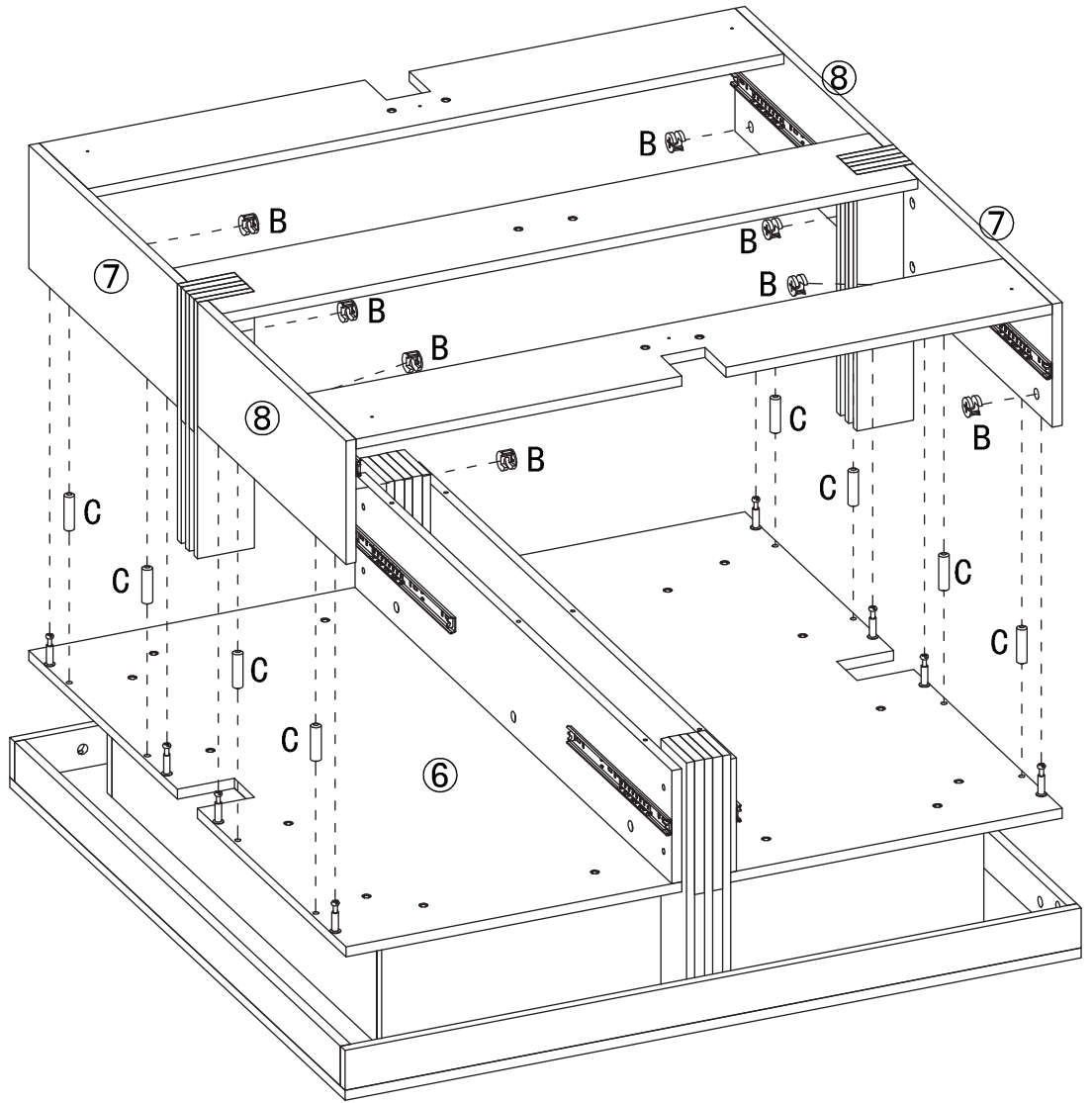
STEP 15

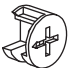



STEP 16

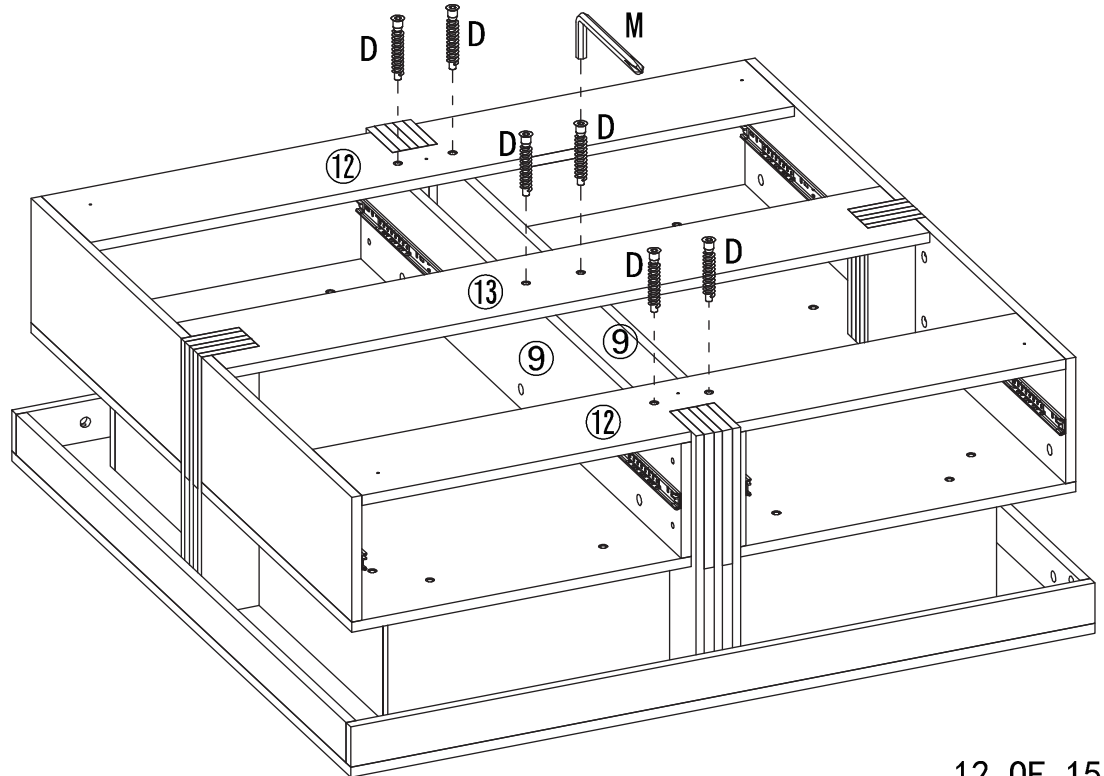




STEP 17



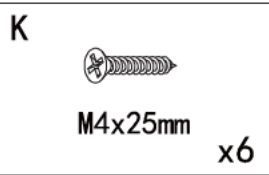
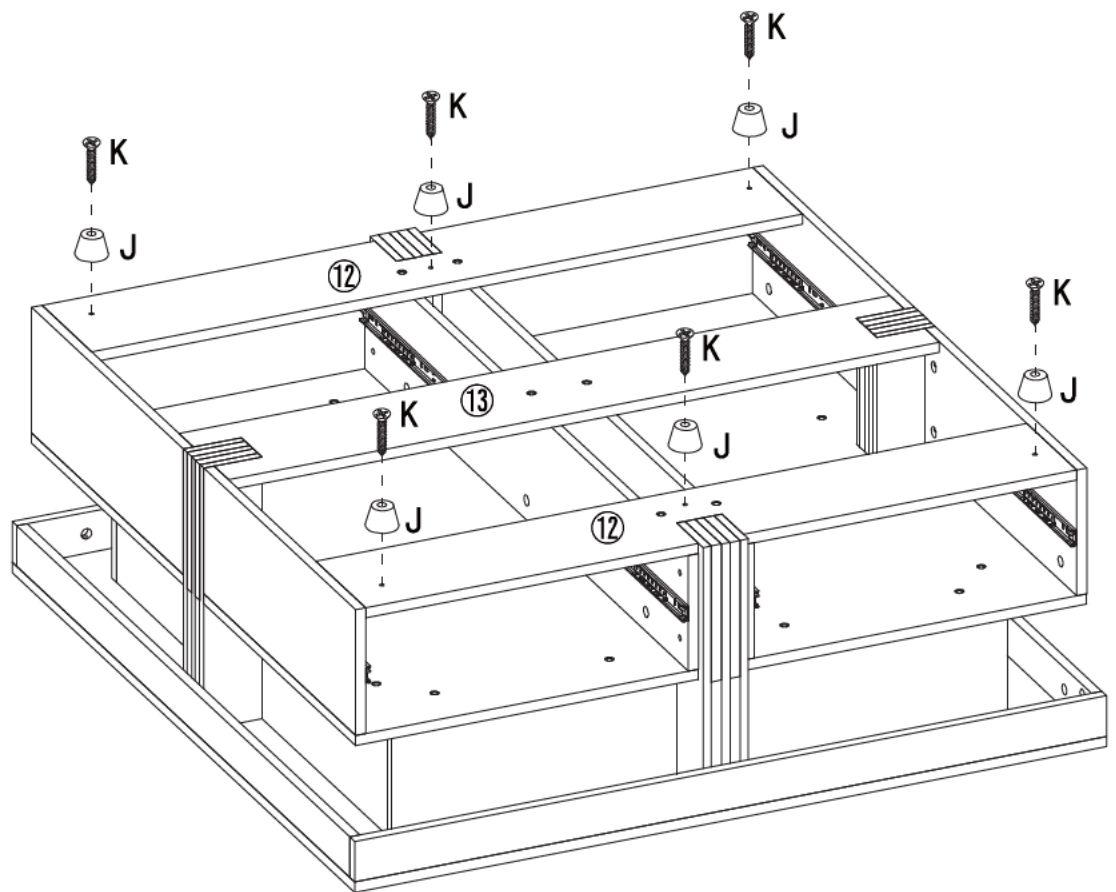
- B**

φ15x12mm x8
- C**

φ8x30mm x8

STEP 18

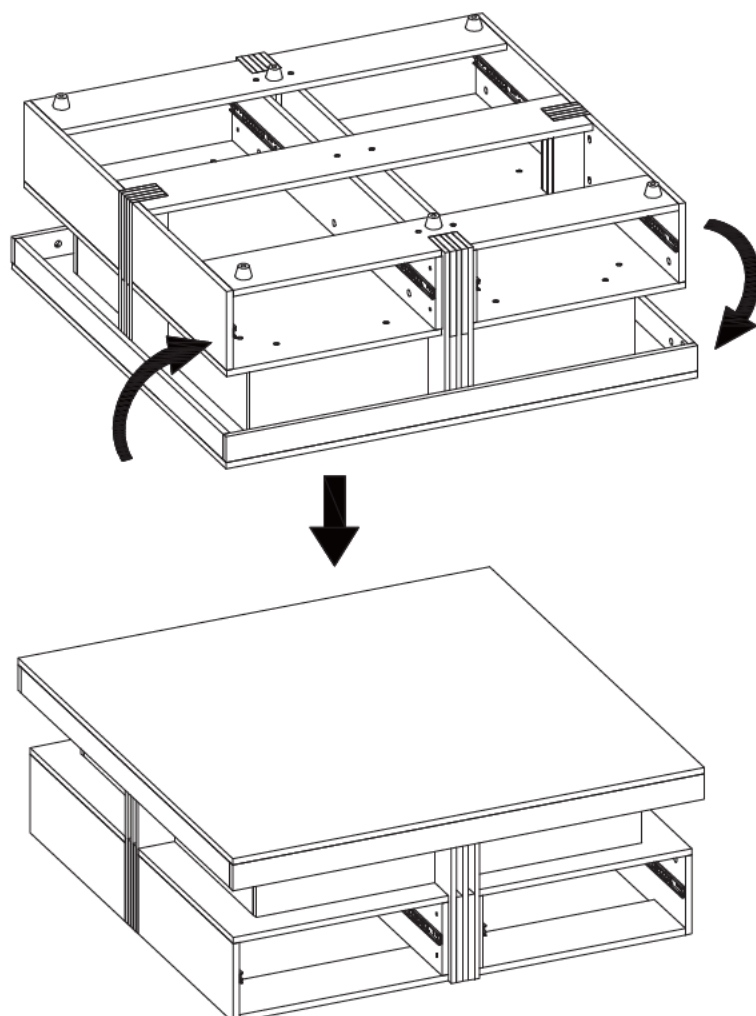


- D**

6x50mm x6
- M**

M4 x1

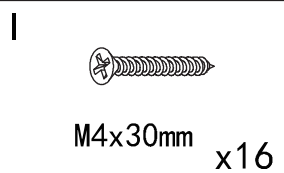
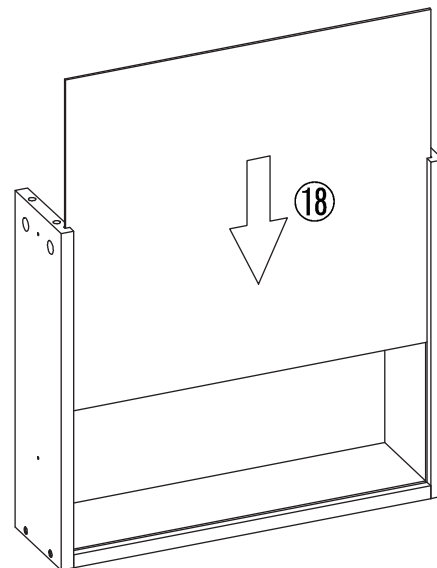
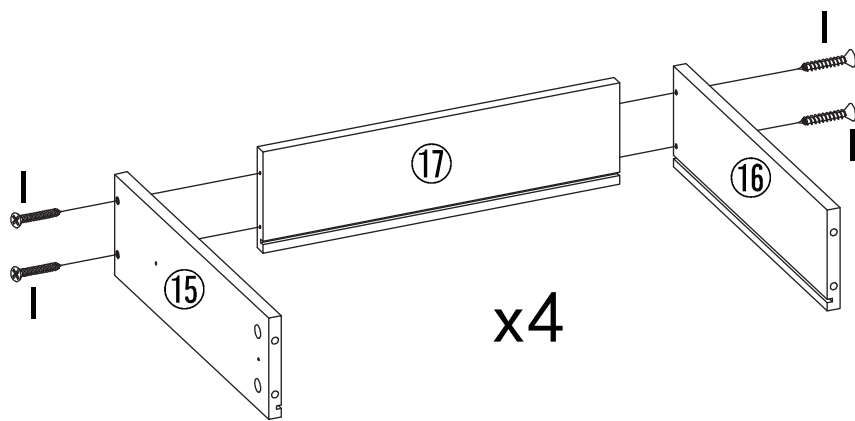
STEP 19



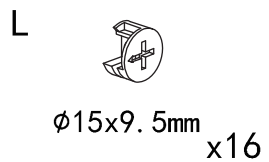
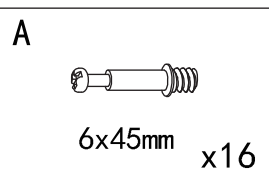
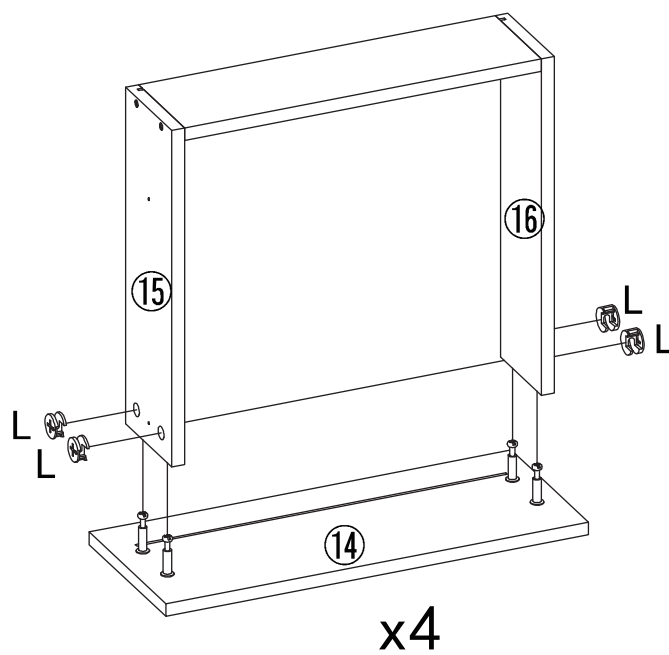
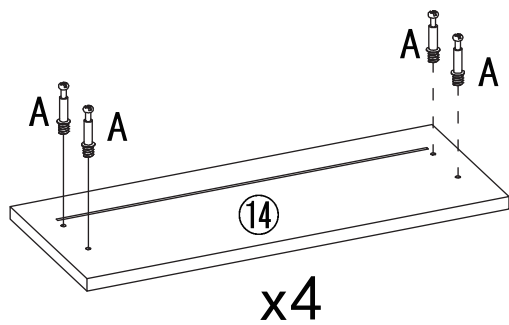
STEP 20



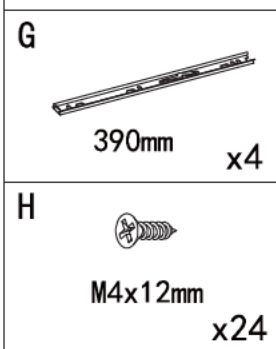
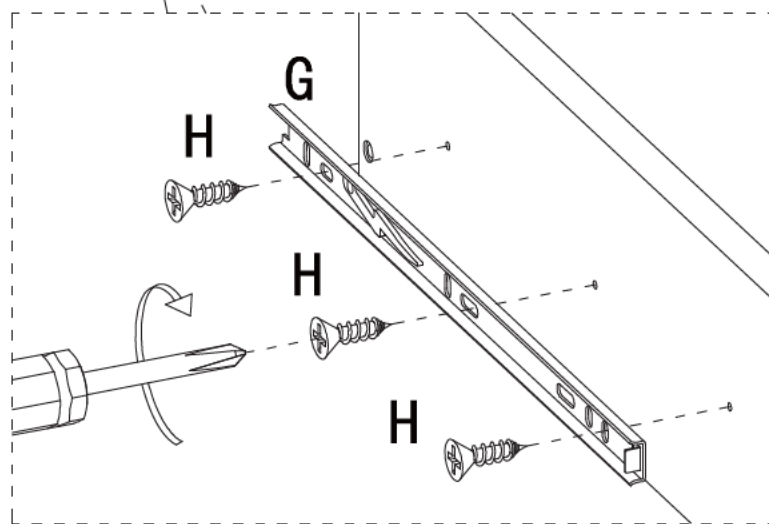
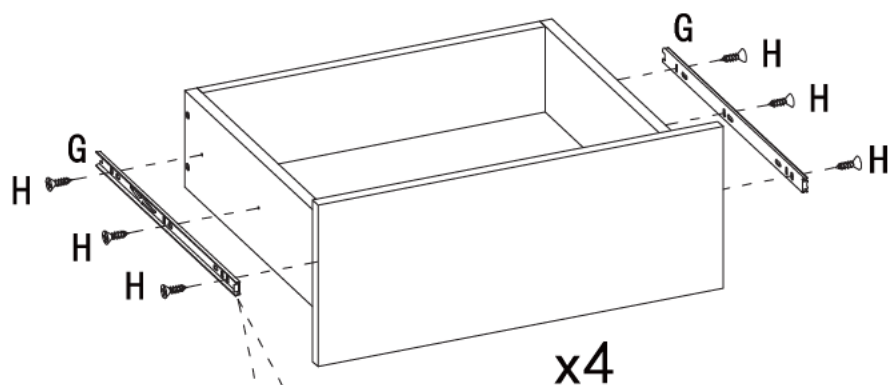
STEP21



STEP22



STEP23



STEP24

