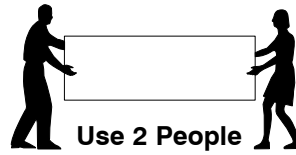
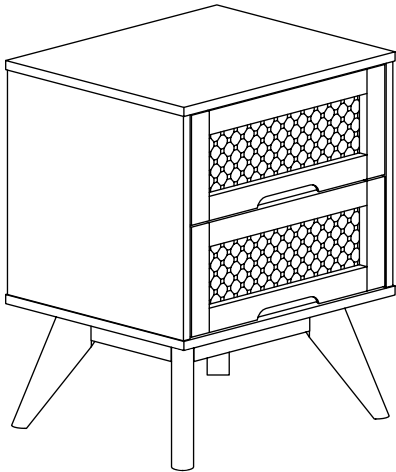


# 2 Drawer Nightstand

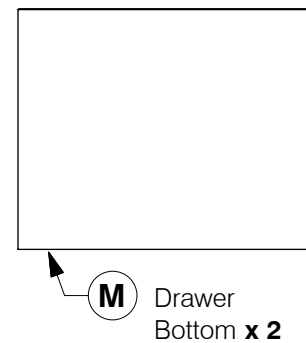
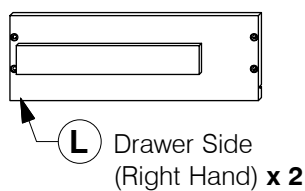
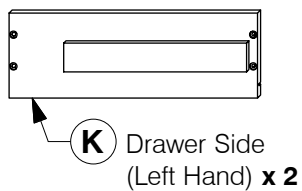
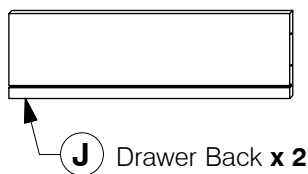
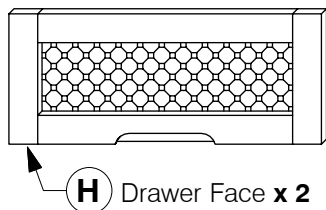
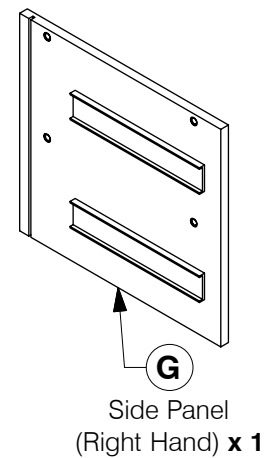
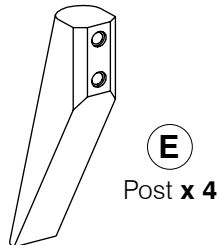
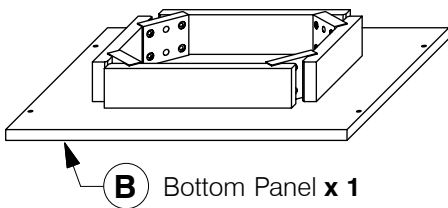
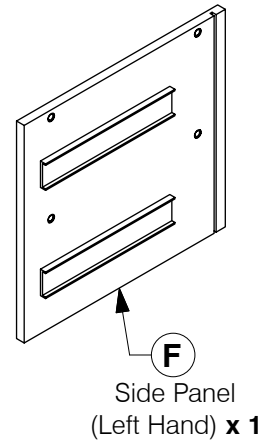
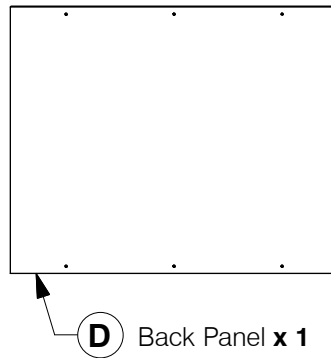
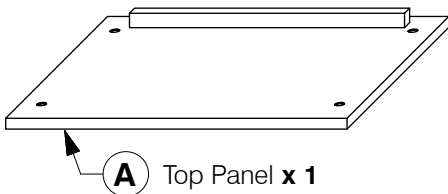
## Assembly Instructions

WI-1220



**Note:** Do not assemble using power tools. This can cause the bolts to be overtightened

### 1 Parts List



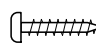
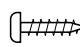

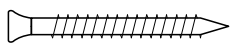






# 2 Drawer Nightstand

## Assembly Instructions

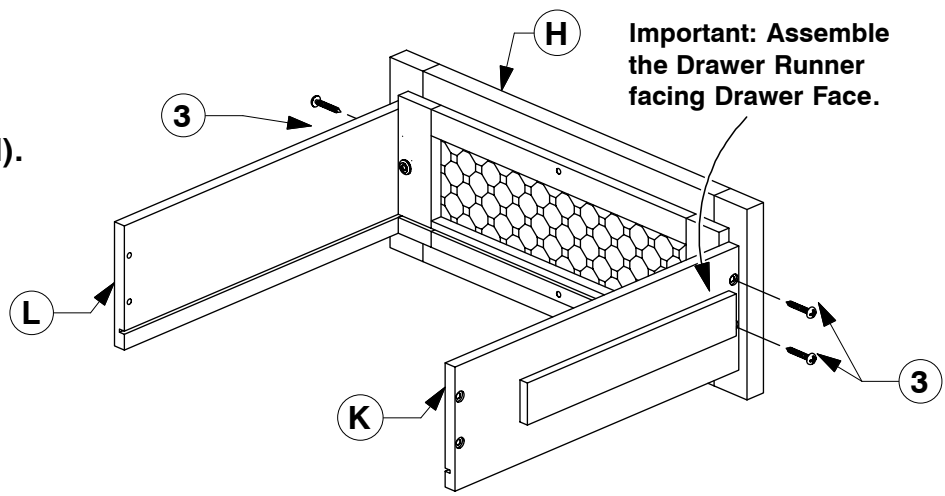
WI-1220

### 2 Hardware List

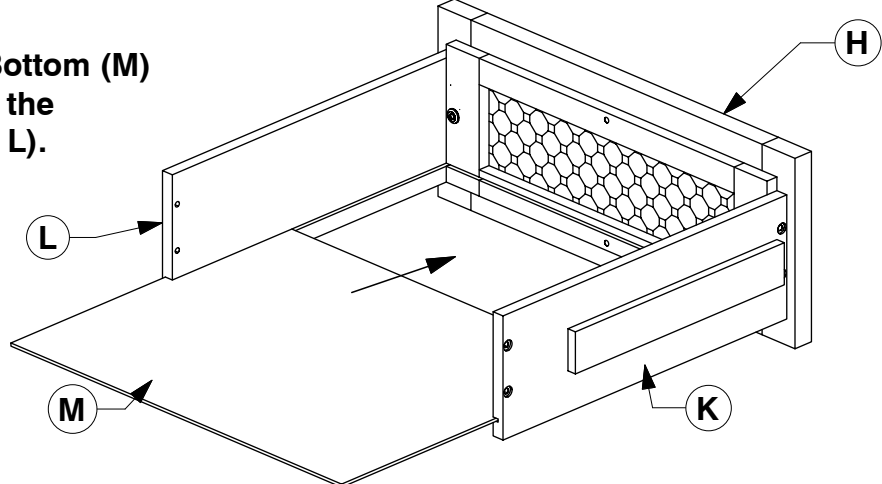
- |  |   |   |  |  |
|--|---|---|--|--|
| <br>① M6 x 15mm<br>JCB x 16                 | <br>② M6 x 60mm<br>JCB x 8 | <br>③ M4 x 25mm<br>Wood Screw x 16 | <br>④ M4 x 20mm<br>Wood Screw x 4 | <br>⑤ M4 x 16mm<br>Wood Screw x 6 |
| <br>⑥ CSK Cap Wood Screw<br>(M6 x 50mm) x 4 | <br>⑦ Spring<br>Washer x 8 | <br>⑧ Flat Washer<br>x 8           | <br>⑨ 'L' Bracket<br>(5005-3) x 8 | <br>⑩ Allen Key<br>x 1            |

### 3 Assemble the Drawer Sides (K & L) to the Drawer Face (H).

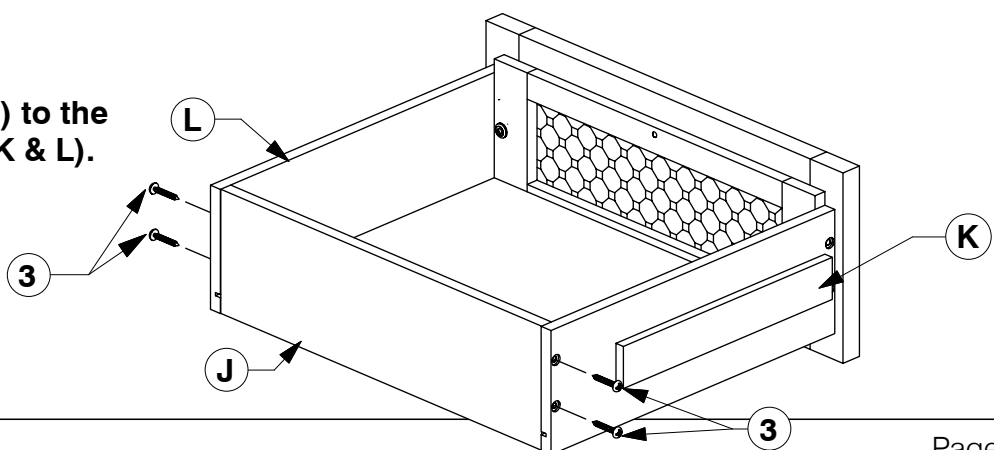
x2



### 4 Slide the Drawer Bottom (M) into the groove on the Drawer Sides (K & L).



### 5 Assemble the Drawer Back (J) to the Drawer Sides (K & L).

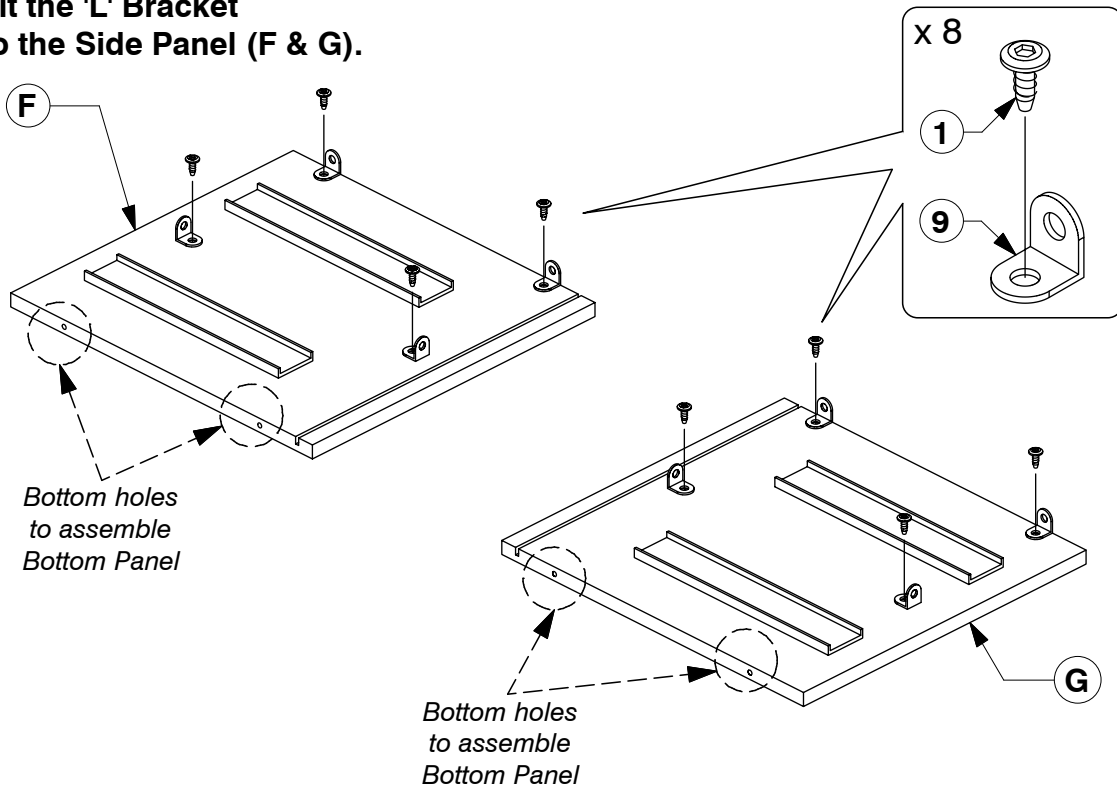


# 2 Drawer Nightstand

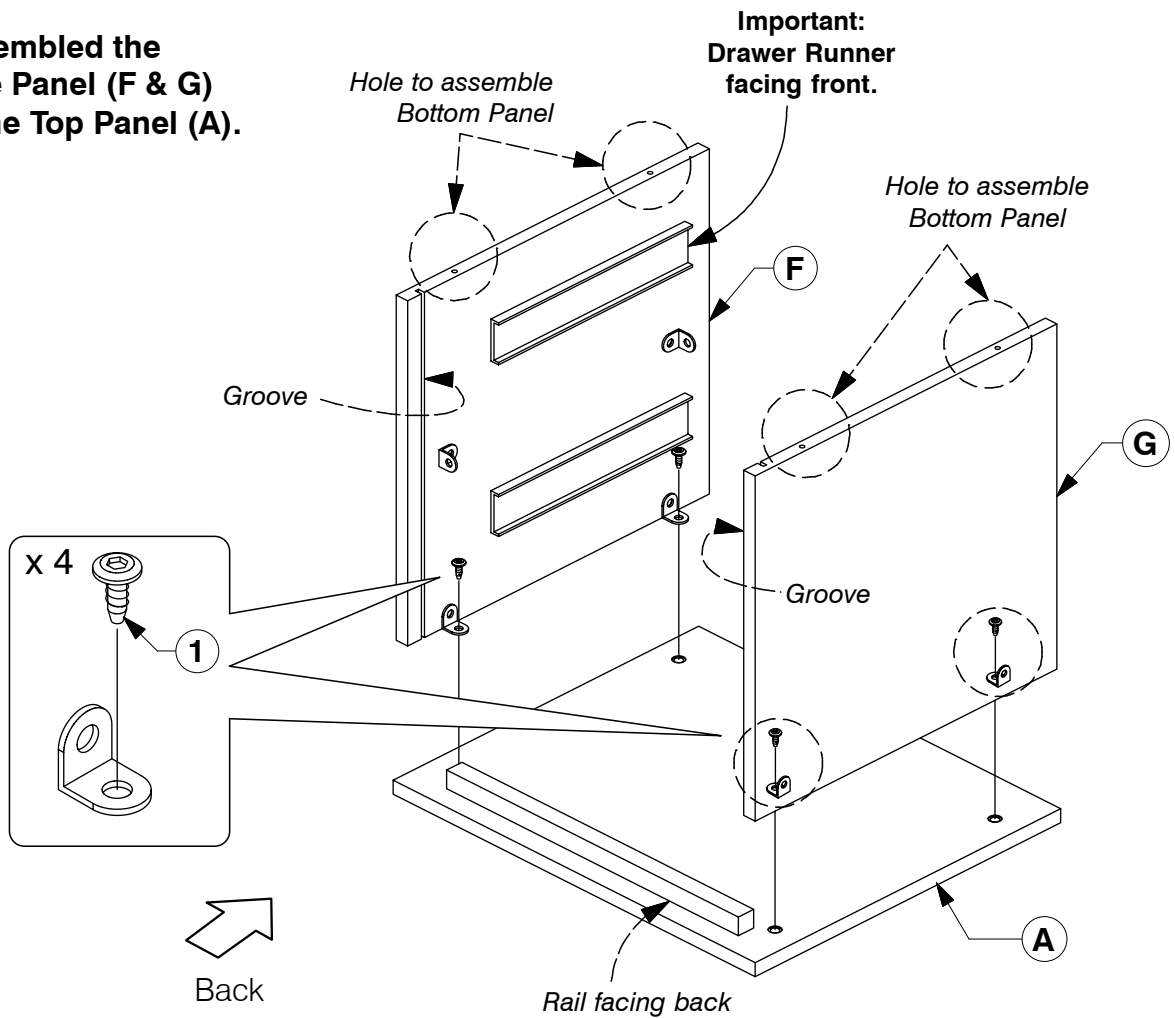
## Assembly Instructions

WI-1220

### 6 Fit the 'L' Bracket to the Side Panel (F & G).



### 7 Assembled the Side Panel (F & G) to the Top Panel (A).

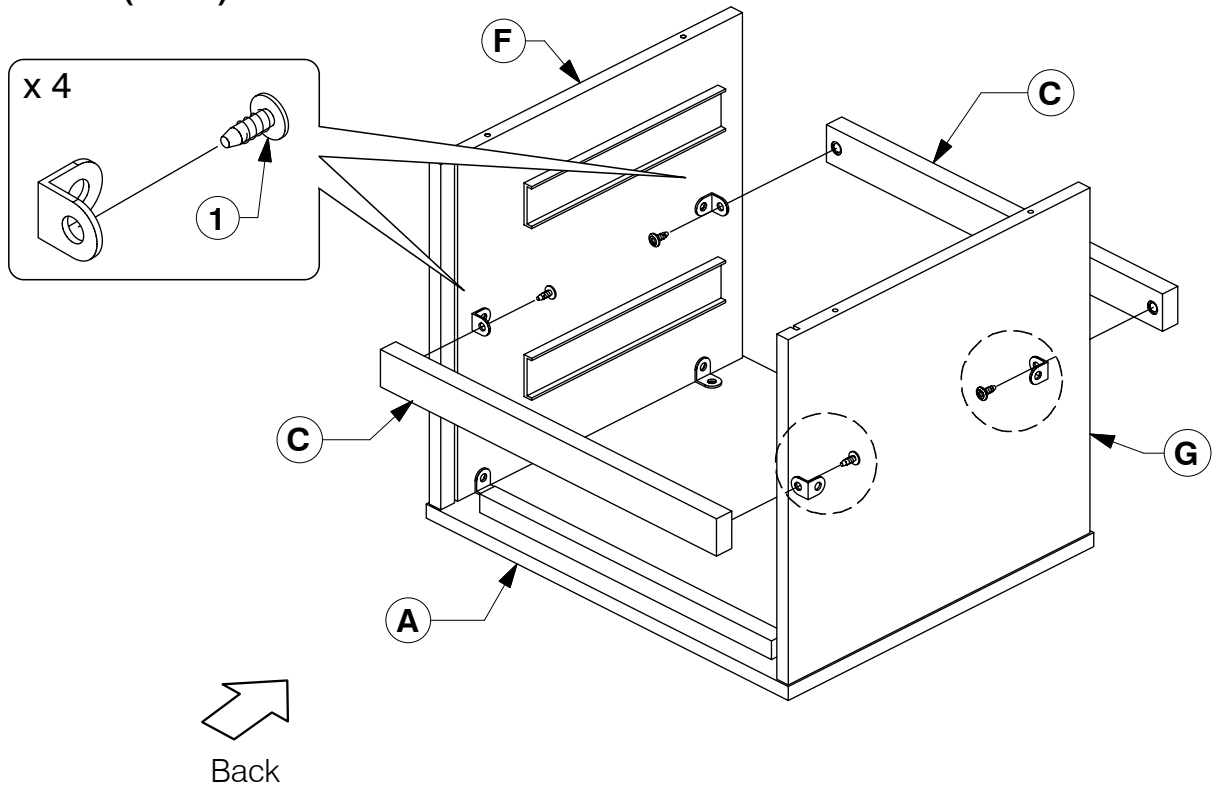


# 2 Drawer Nightstand

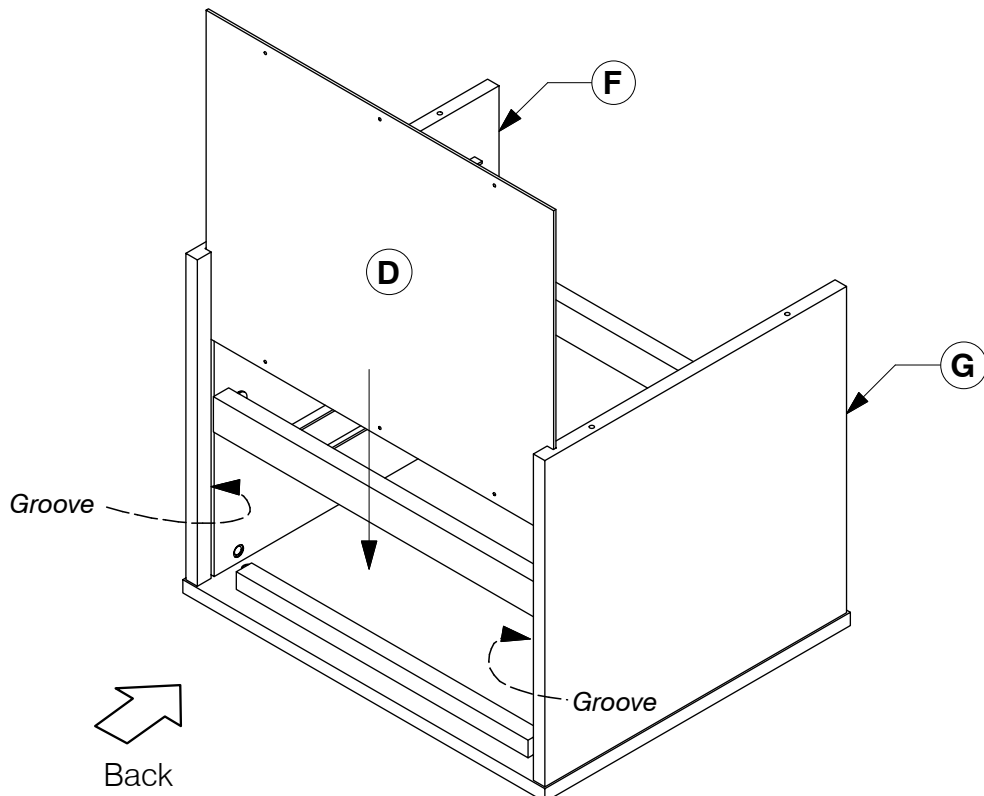
## Assembly Instructions

WI-1220

- 8** Fit the Support Bar (C) to the Side Panel (F & G).



- 9** Slide the Back Panel (D) into the groove on the back of the Side Panel (F & G).

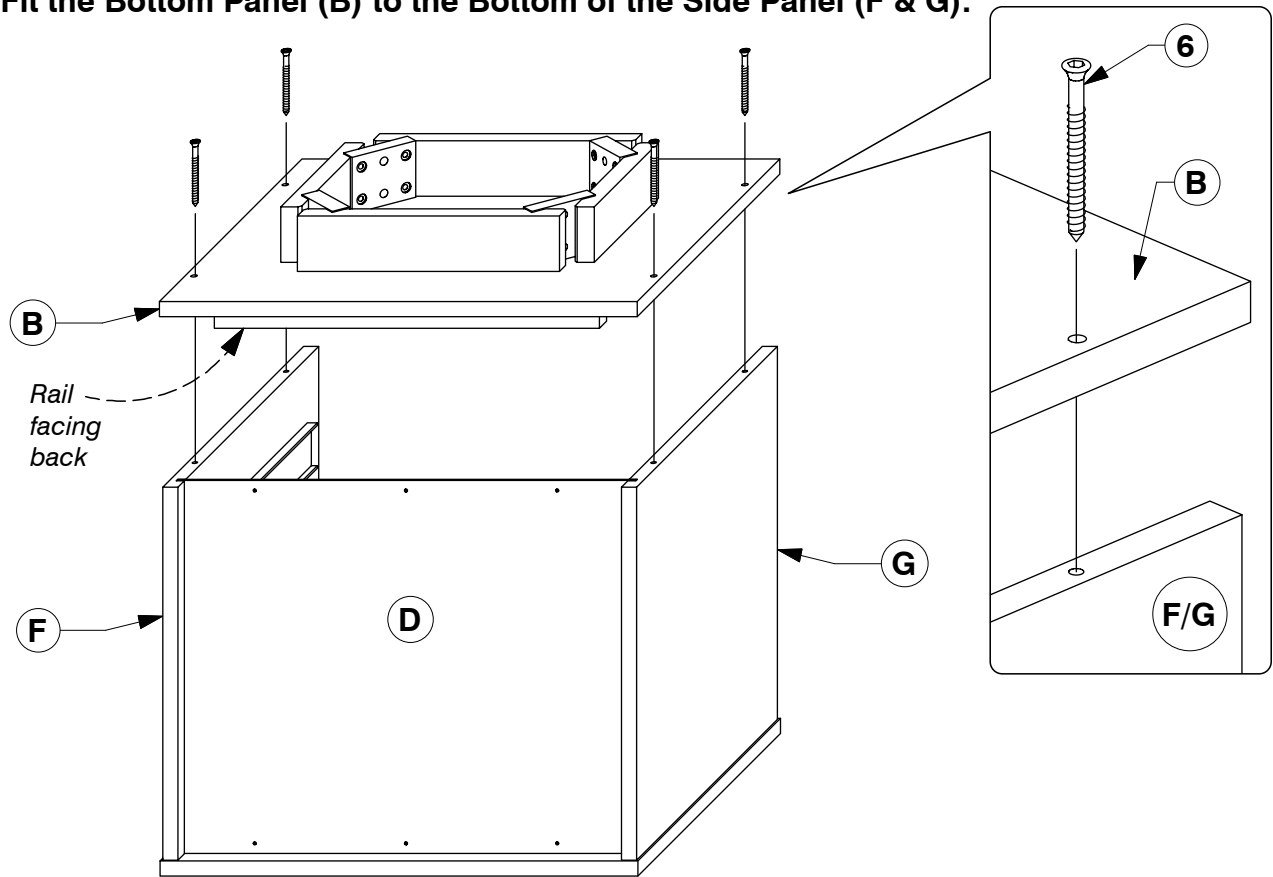


# 2 Drawer Nightstand

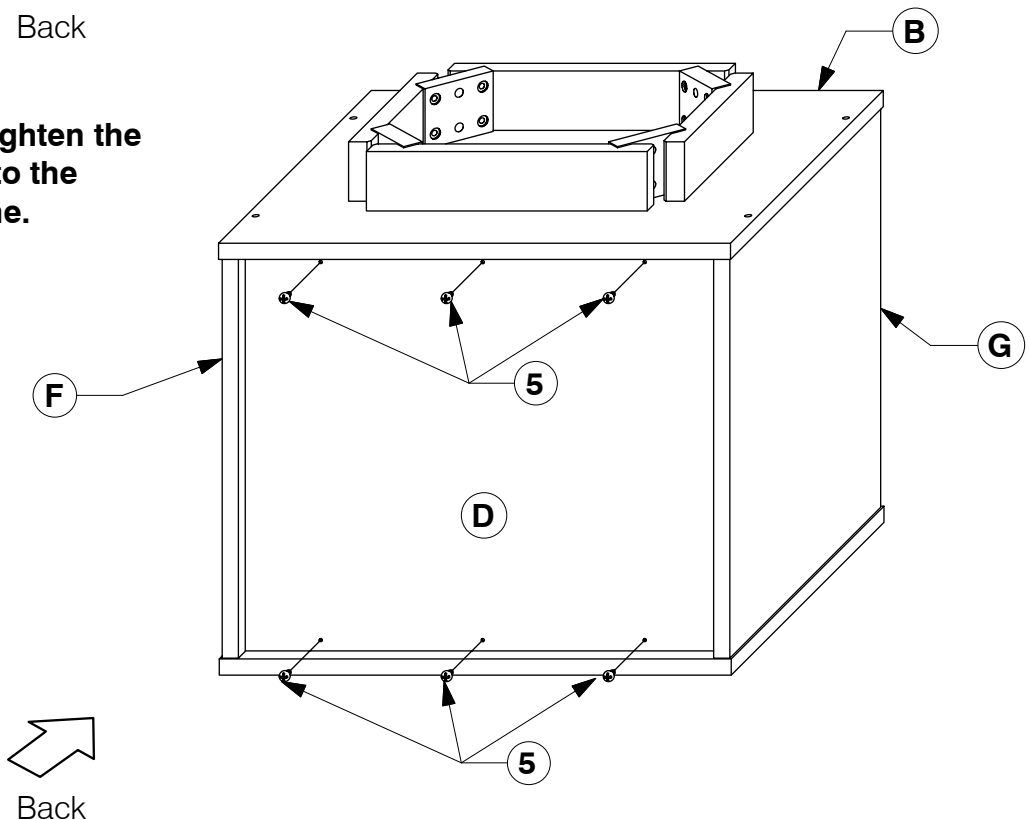
## Assembly Instructions

WI-1220

- 10** Fit the Bottom Panel (B) to the Bottom of the Side Panel (F & G).



- 11** Use screws to tighten the Back Panel (D) to the back of the frame.

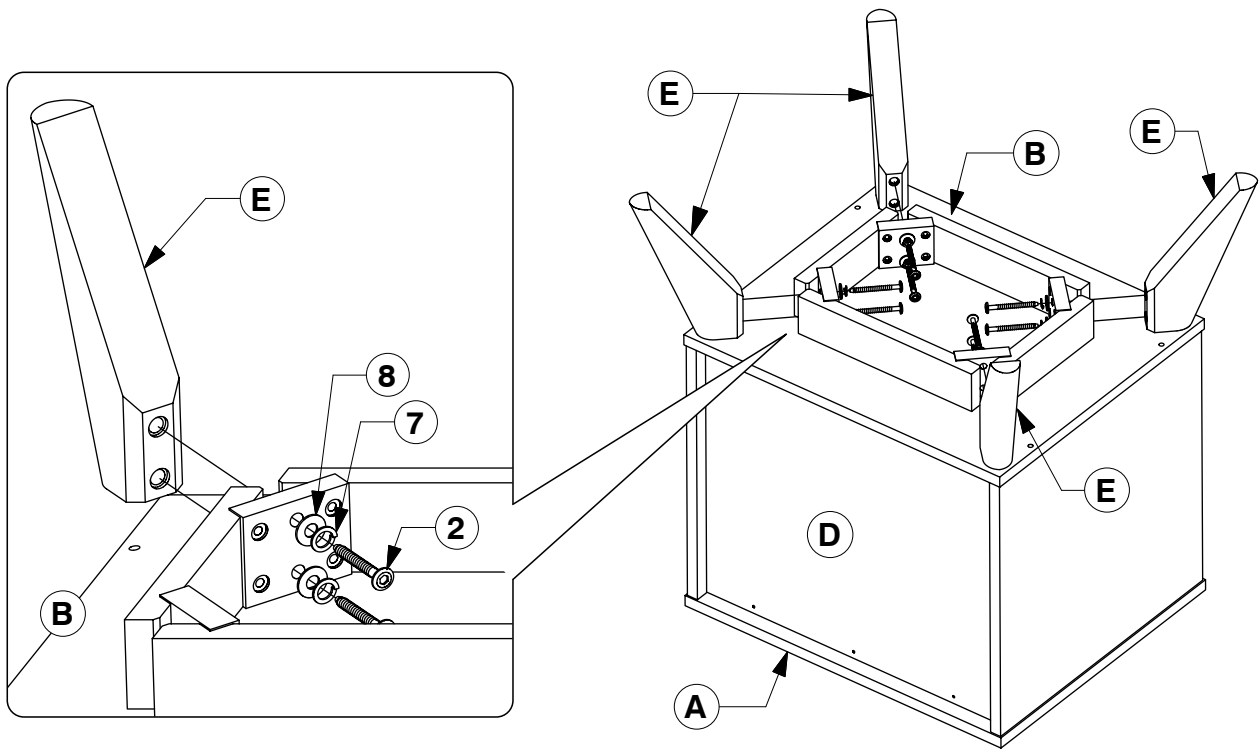


# 2 Drawer Nightstand

## Assembly Instructions

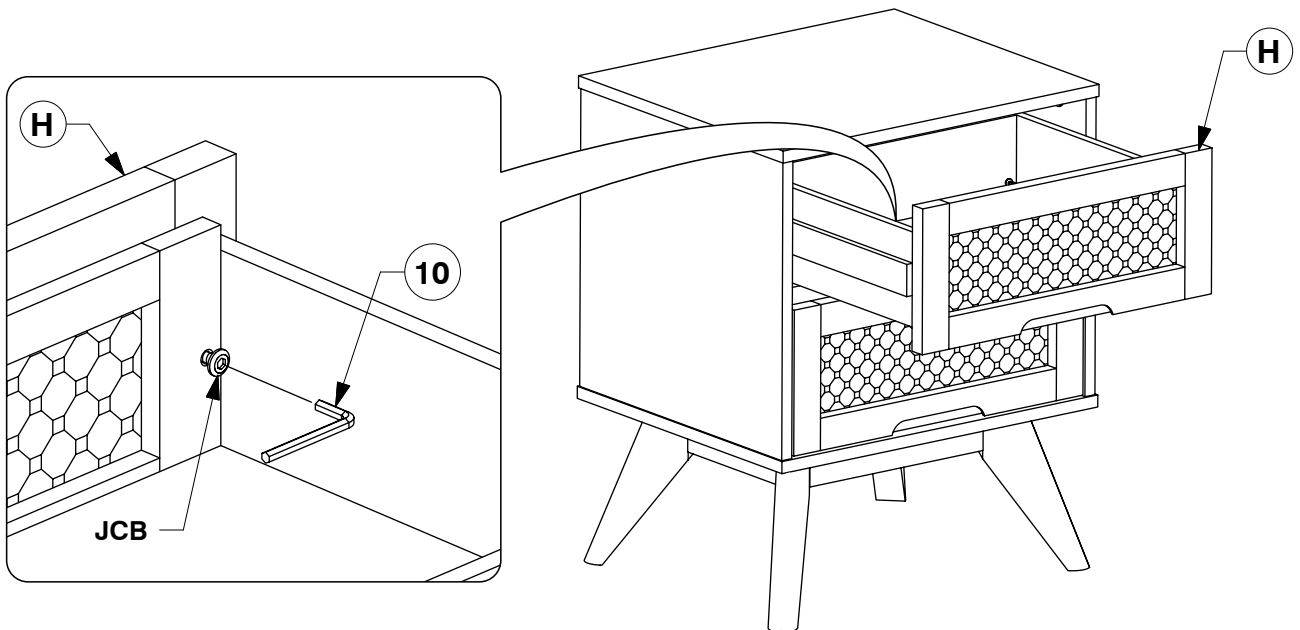
WI-1220

### 12 Fit the Post (E) to the Bottom Panel (B).



### 13 Fit and adjust the Drawer Face (H).

\* NOTE: Before fitting the Wood Screws.  
Loosen the JCBs on the Drawer Face if  
the face needs alignment.



# 2 Drawer Nightstand

## Assembly Instructions

WI-1220

**14** After the Drawer Faces (H) are aligned, secure with wood screws.

