

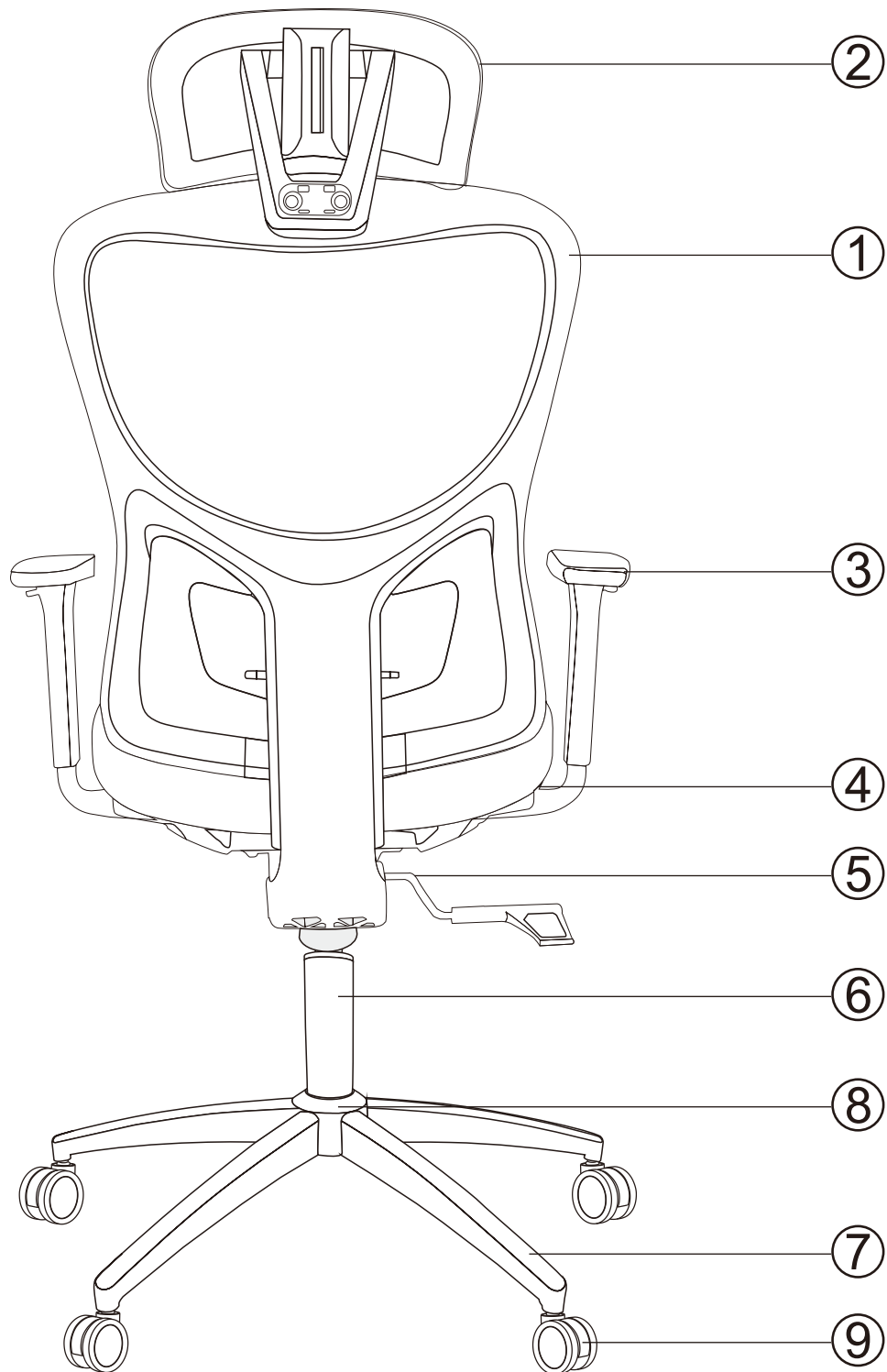
Assembly Manual

OFFICE CHAIR



Attention: If you have any problems during installation process such as components missing, damaged, or unable to assemble, please contact us via [and](#) We are committed to providing assistance within 24 hours.

Exploded View



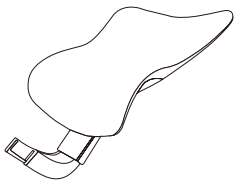
Components List

20min

Assembly Time



One People



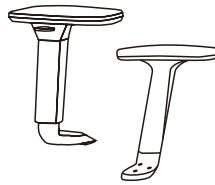
1

Backrest



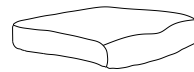
2

Headrest



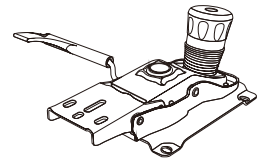
3

Armrest



4

Seat pan



5

Mechanism



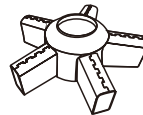
6

Gas lift



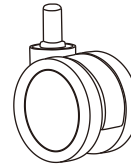
7

Leg



8

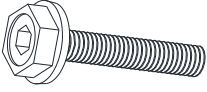
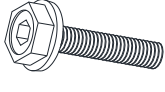
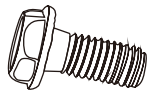
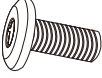
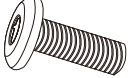

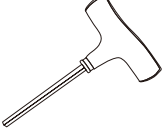
Five-star leg hub



9

Caster

Components List

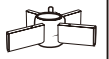
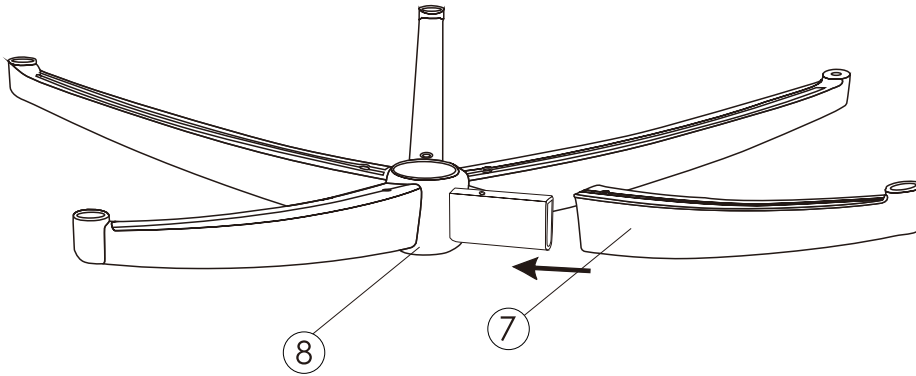
A			B			C		
								
Bolt	M6*35	8+1	Bolt	M6*25	2+1	Bolt	M8*20	3+1
D			E			F		
								
Bolt	M6*15	5+1	Bolt	M6*20	2+1	Decorative cover		1
G								
								
Allen wrench		1						

Note: The number after "+" sign indicates the extra piece(s).

Assembly Instruction

Step 1

Insert the five chair leg legs(8) into the central hub(7).



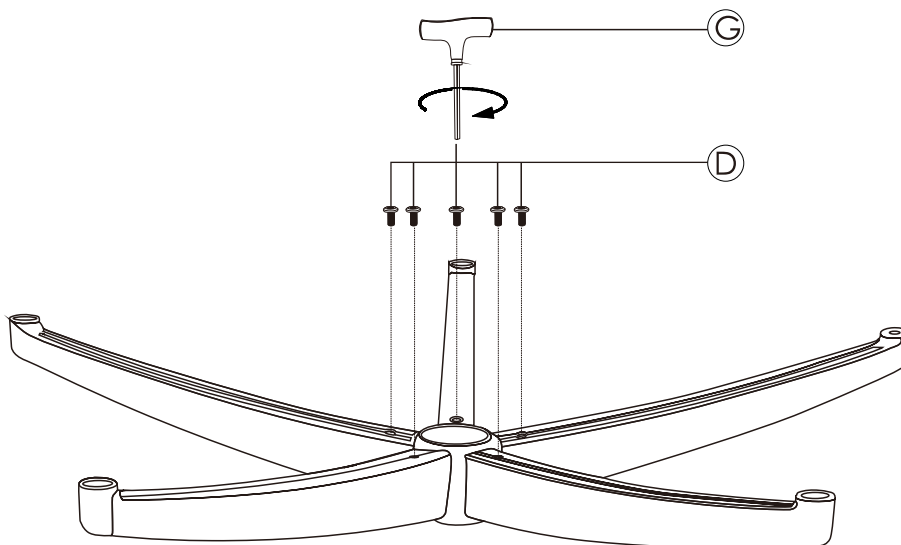
8 * 1



7 * 5

Step 2

Please flip it over and securely fasten the legs using bolts(D) and Allen wrench(G).



G * 1

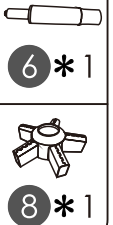
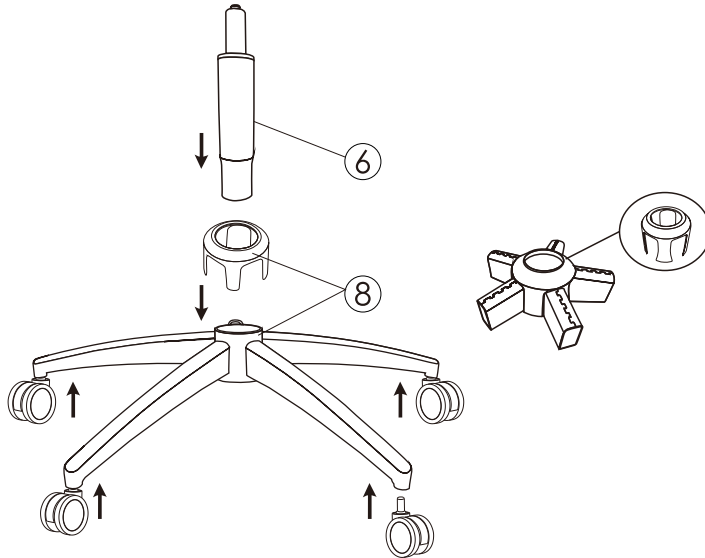


D * 5

Assembly Instruction

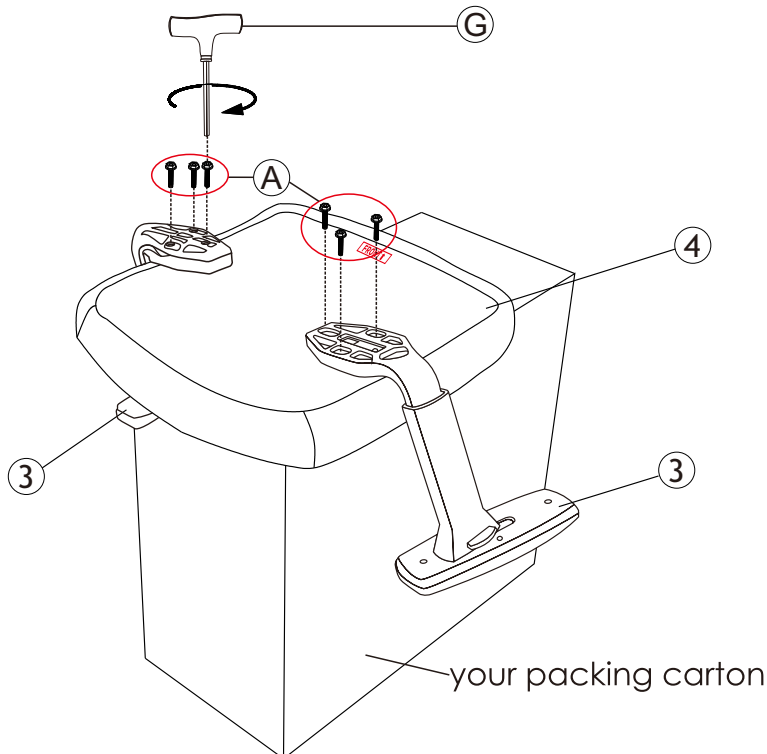
Step 3

Insert the casters into the holes at the bottom of the chair legs. And then place the cover over the hub and insert the gas lift into the center hole of the base hub.



Step 4

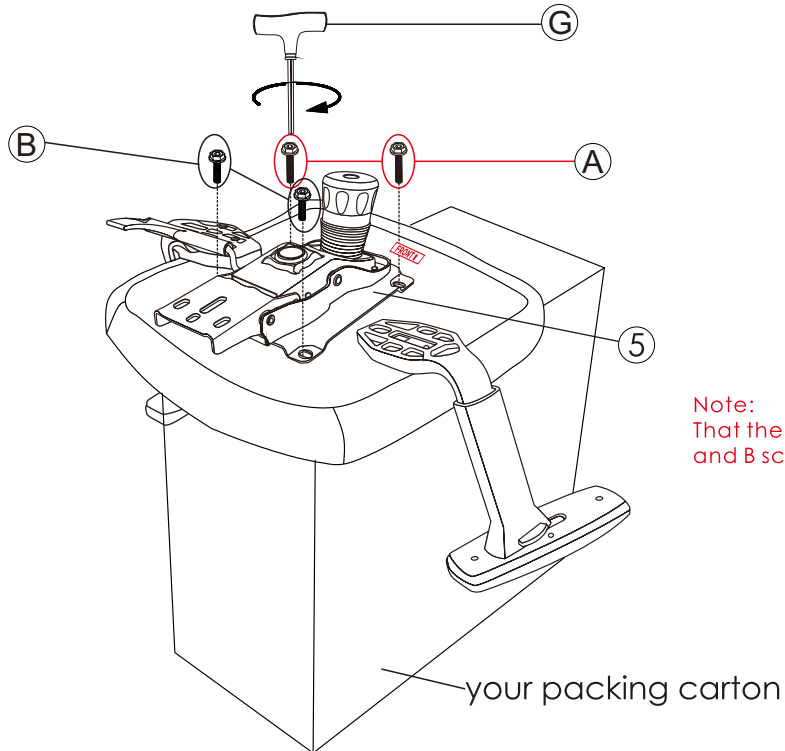
Place the seat pan on the packing carton for easier assembly. Attach the armrests(3) with bolts(A). Don't fully tighten the bolts until all of them are in the right holes. This will allow you make slight adjustments to the positions during



Assembly Instruction

Step 5

Attach the mechanism bolts(B). Don't fully tighten the bolts until all of them are in the right holes. This will allow you make slight adjustments to the positions during the



Note:
That the length of A screw
and B screw is different.



5*1



A*2



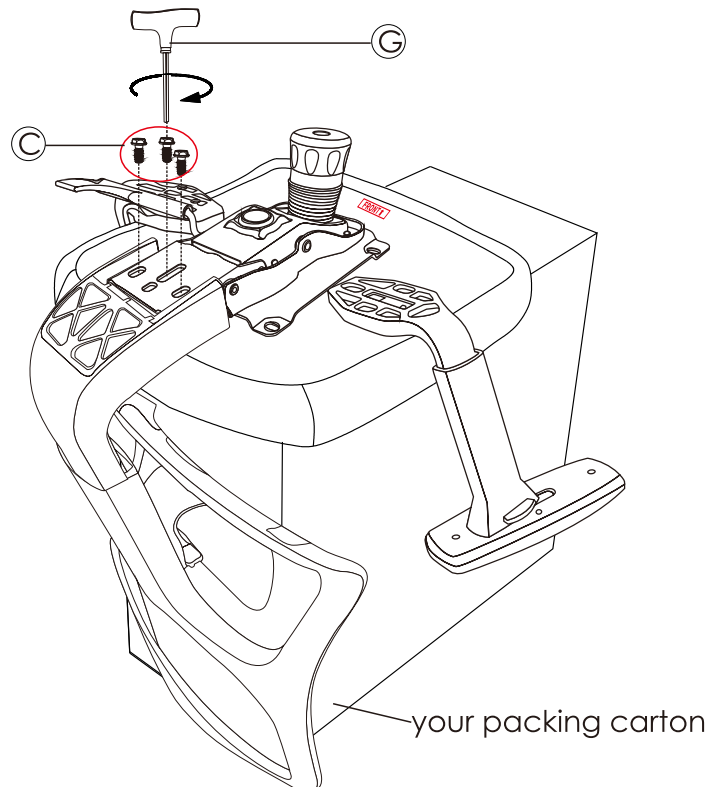
B*2



G*1

Step 6

Insert the backrest to the mechanism and secure it in place with bolts(C). Don't fully tighten the bolts until all of them are in the right holes. This will allow you make slight adjustments to the positions during the assembly process.



G*1

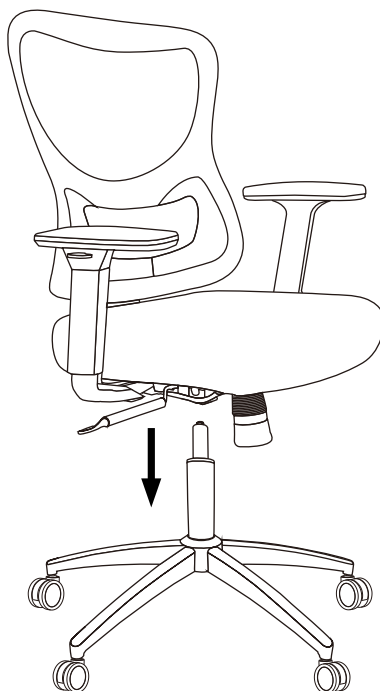


C*3

Assembly Instruction

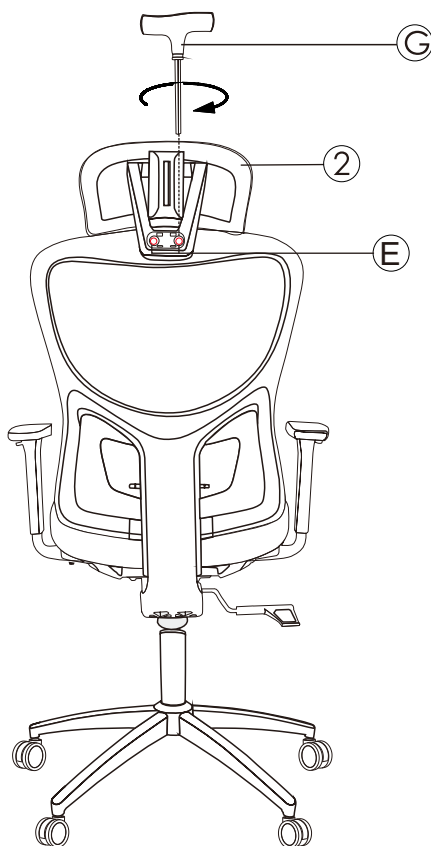
Step 7

Now turn the assembled seat upright and position the center hole of the mechanism over the gas lift. Press down firmly until the connection is secure.



Step 8

Attach the headrest to the backrest using bolts (E), and push cover (F) in to conceal the holes.



G*1



F*1



E*2

Assembly Instruction

Step 9

Assembly complete.

