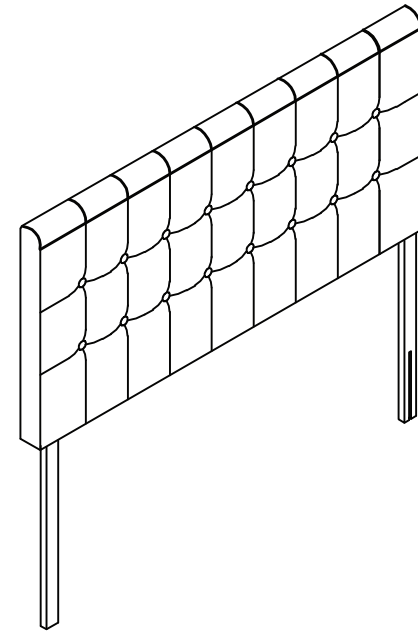
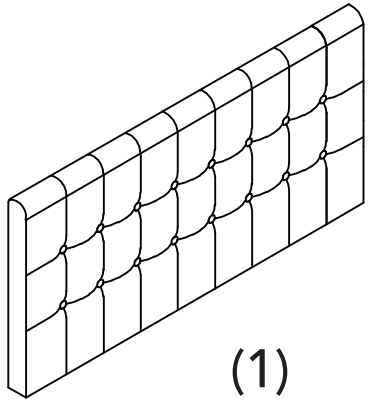


HEAD BOARD

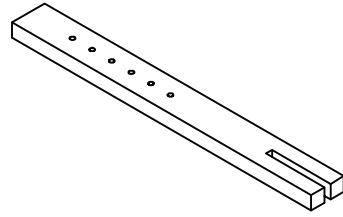


ADULT ASSEMBLY REQUIRED

PARTS



(1)



(2)

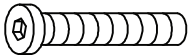
1 HEADBOARD


1 PC


2 FOOT


2 PCS

HARDWARE

A  Ø5/16" X 50mm BOLT 8 PCS

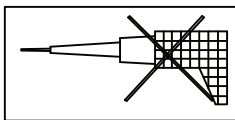
B  Ø5/16" X 20mm WASHER 4 PCS

C  Ø5/16" SPRING WASHER 12 PCS

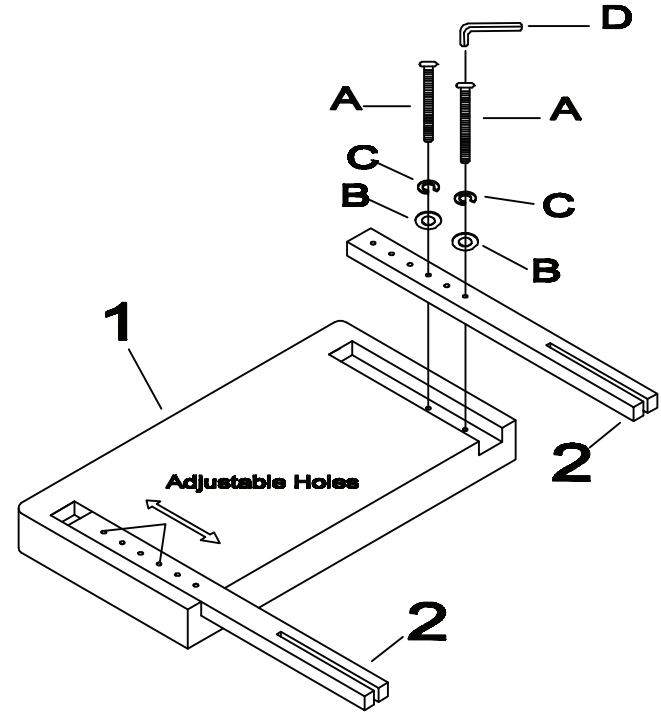
D  5mm ALLEN KEY 1 PC

PLEASE CHECK THAT YOU HAVE ALL THE PARTS LISTED BEFORE YOU START ASSEMBLING. IF YOU DO FIND THAT SOMETHING IS MISSING, DO NOT CONTINUE ASSEMBLY. PLEASE CONTACT YOUR SUPPLIER IMMEDIATELY.

USE OF POWER TOOLS TO ASSEMBLE THIS PRODUCT WILL INVALIDATE ANY CLAIM AND MAY DAMAGE THIS PRODUCT MAKING IT UNSAFE.



1



2

