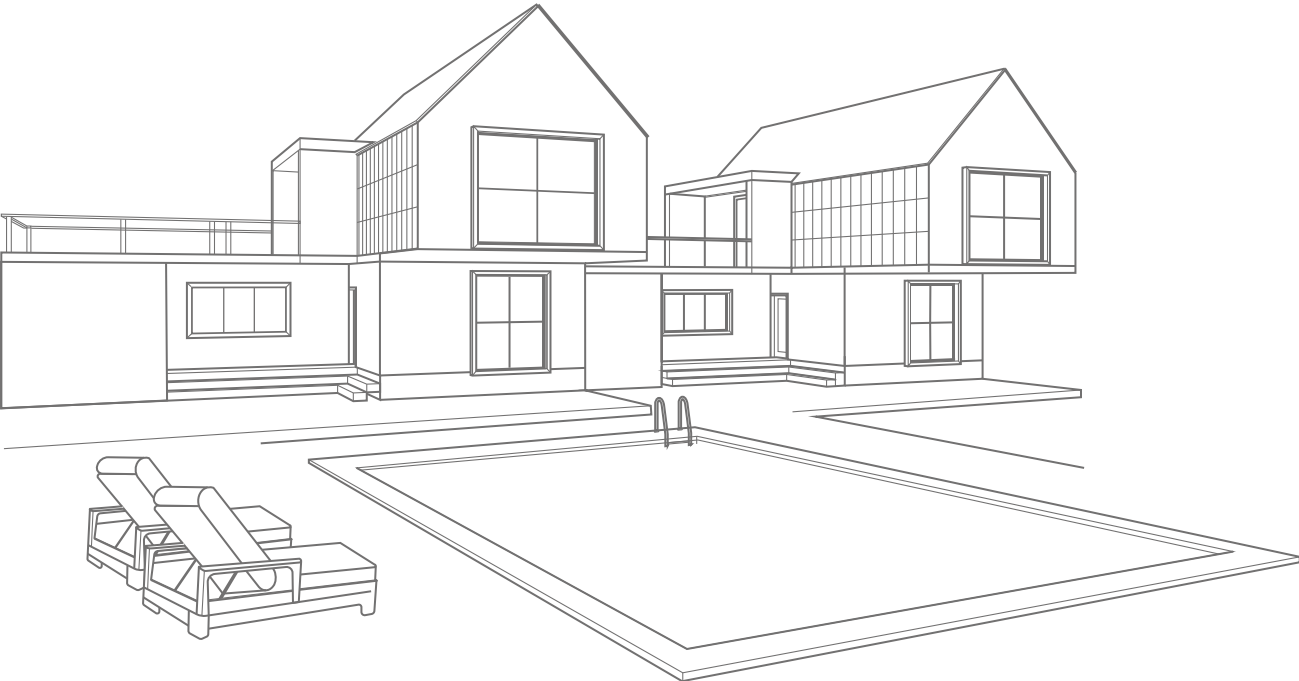


Buffet Cabinet



EN

Thank you for purchase on our products. Please contact us if you have difficulty with assembly or need replacement parts. Our customer service is here to assist you. Please attach your User Name or Order ID so that we can assist you better.

WARNING

Serious or fatal injury may occur from unexpected assembly or use.

1. During the assembly process, keep all parts away from babies or children.
2. Always securely fix this product to the wall. Make sure the wall area to be drilled is free from hidden electrical wires, water and gas pipes.
3. Use of tip-over restraints may only reduce, but not eliminate the risk of tip-over.
4. Unless specially designed to accommodate, do not set heavy objects on top of this product.
5. Place the heaviest items on the lowest shelf.
6. Never allow children to climb or bang on drawers, doors or shelves.

FR

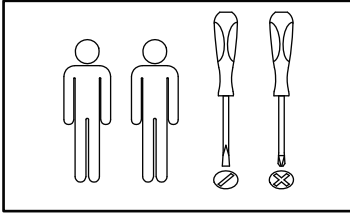
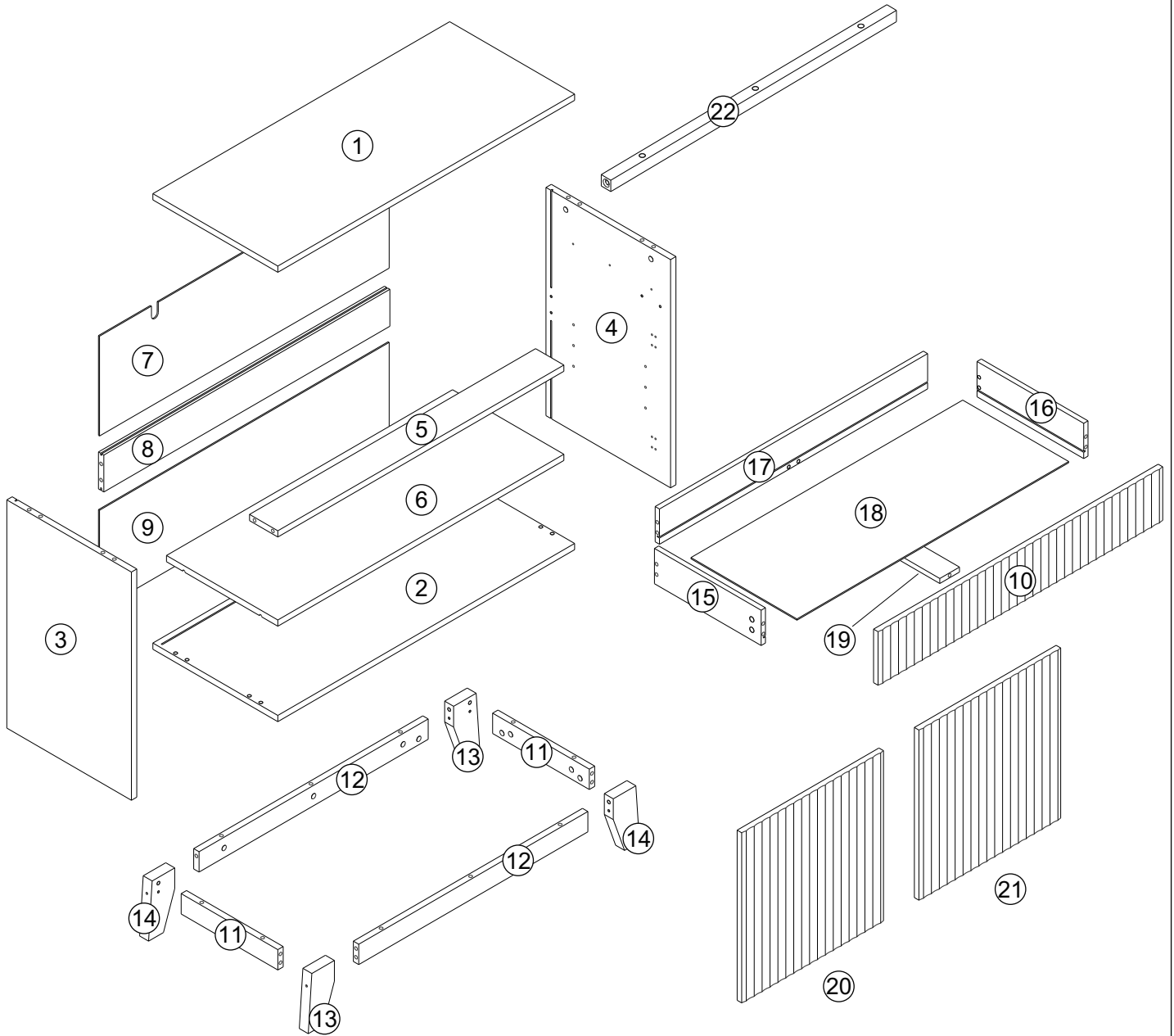
Merci d'avoir acheté sur nos produits. Veuillez nous contacter si vous rencontrez des difficultés avec montage ou besoin de pièces de rechange. Notre service client est là pour vous aider. Veuillez joindre votre nom d'utilisateur ou votre numéro de commande afin que nous puissions mieux vous aider.

ATTENTION

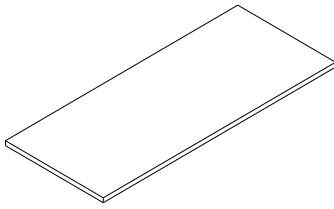
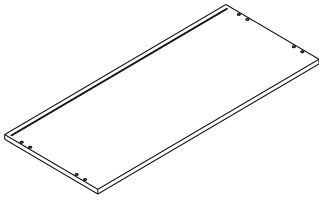
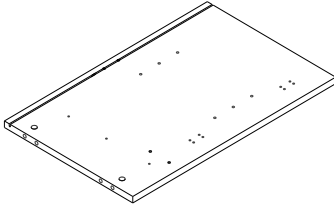
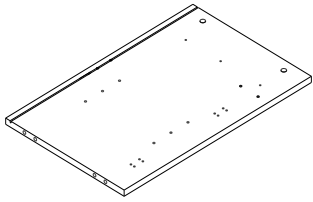
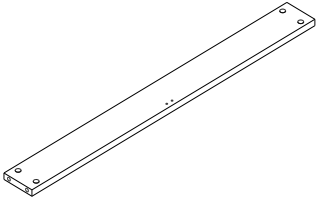
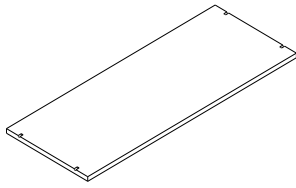
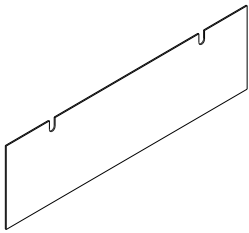
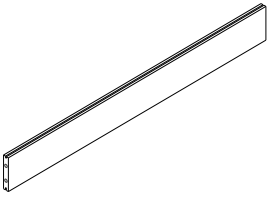
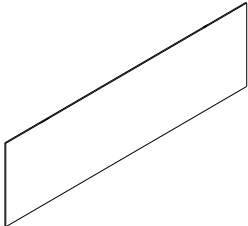
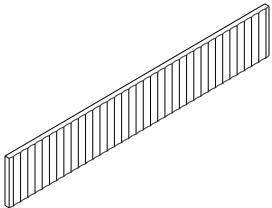
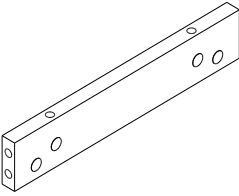
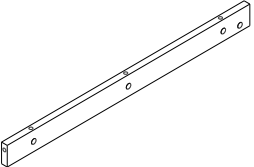
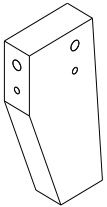
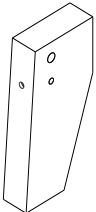
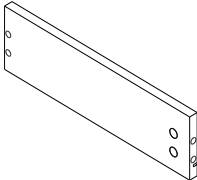
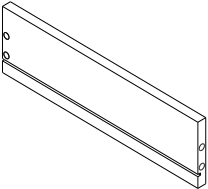
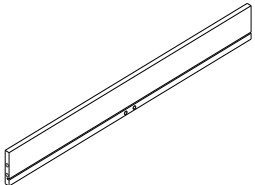
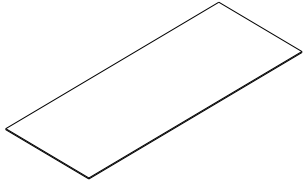
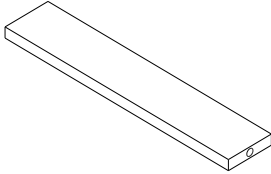
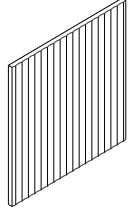
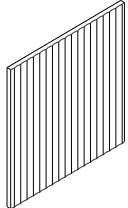
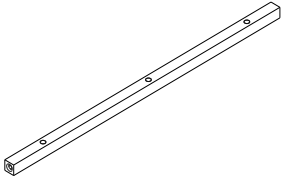
Des blessures graves ou mortelles peuvent résulter d'un assemblage ou d'une utilisation imprévus.

1. Pendant le processus d'assemblage, gardez toutes les pièces hors de portée des bébés ou des enfants.
2. Fixez toujours solidement ce produit au mur. Assurez-vous que la surface du mur à percer est exempt de fils électriques cachés, de conduites d'eau et de gaz.
3. L'utilisation de dispositifs de retenue en cas de basculement peut seulement réduire, mais pas éliminer, le risque de basculement.
4. À moins qu'il ne soit spécialement conçu pour accueillir, ne placez pas d'objets lourds sur ce produit.
5. Placez les articles les plus lourds sur l'étagère la plus basse.
6. Ne laissez jamais les enfants grimper ou cogner sur les tiroirs, les portes ou les étagères.



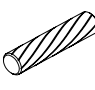

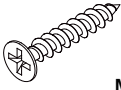

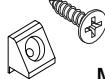

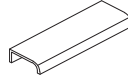

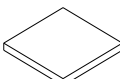
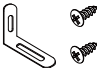
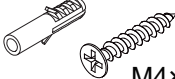
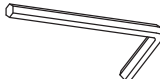



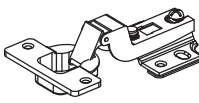

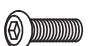





Part List



Part List

① ×1	② ×1	③ ×1	④ ×1
			
⑤ ×1	⑥ ×1	⑦ ×1	⑧ ×1
			
⑨ ×1	⑩ ×1	⑪ ×2	⑫ ×2
			
⑬ ×2	⑭ ×2	⑮ ×1	⑯ ×1
			
⑰ ×1	⑱ ×1	⑲ ×1	⑳ ×1
			
㉑ ×1	㉒ ×1		
			

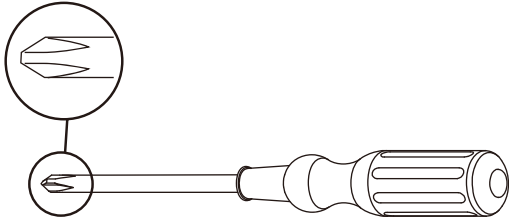
Hardware List

A ×31	B ×31	C ×16	D ×14	E ×10
		 M8×30	 M3.5×12	 M4×35
F ×1	G ×8	H ×4	I ×3	J ×6
	 M3×14			 M4×12
K ×4	L ×2	M ×2	N ×1	O ×4
	 M4×12	 M4×40		
P ×4	Q ×4	R ×4	S ×24	T ×3
 M6×55			 M4×12	 M6×25
U ×2	CL ×1	CR ×1	DL ×1	DR ×1
				

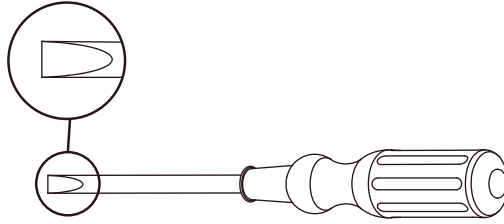
If there are missing screws or accessories, please contact us in time via the email address.

Tools required

Phillips Screwdriver

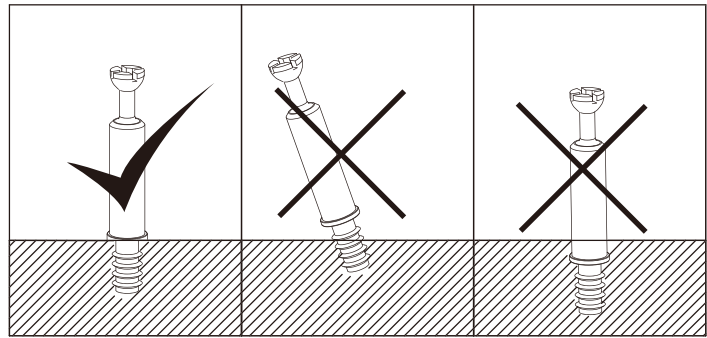
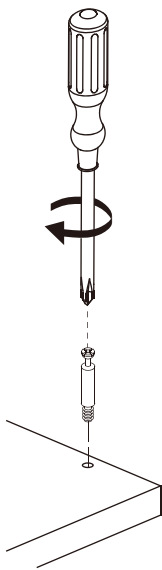


Straight Screwdriver



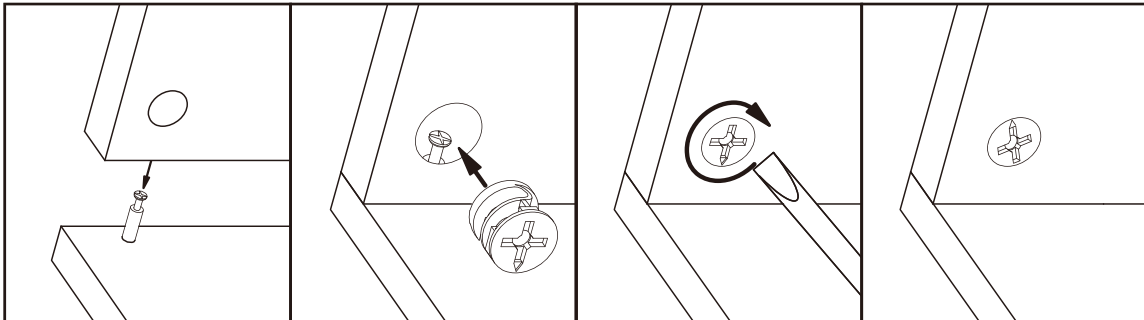
Power Tool NOT Recommended

To ensure proper assembly we have included the following guides:



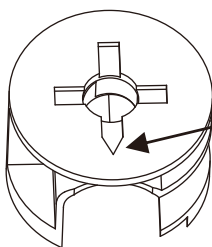
Insert threads of Locking Bolts completely, and stop once threads are no longer visible.

Do NOT overturn.



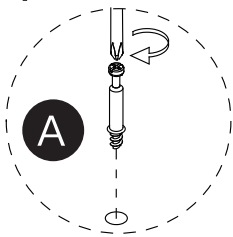
Reference this guide when assembling all Cam Locks.

Do NOT overturn.

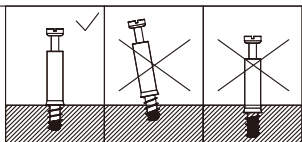
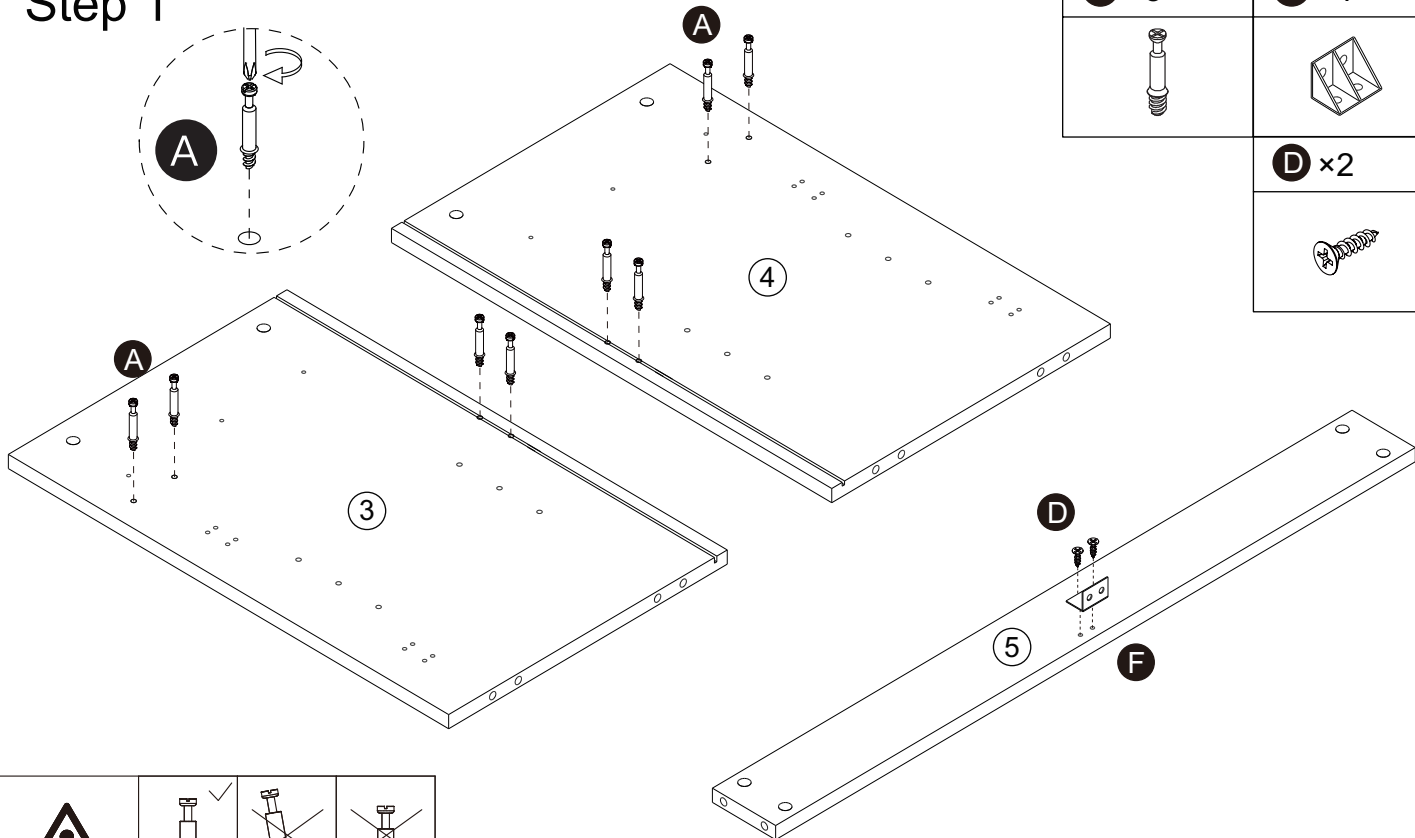


Notice: "pointer arrow" on cam face the Bolt when inserted the cam.

Step 1

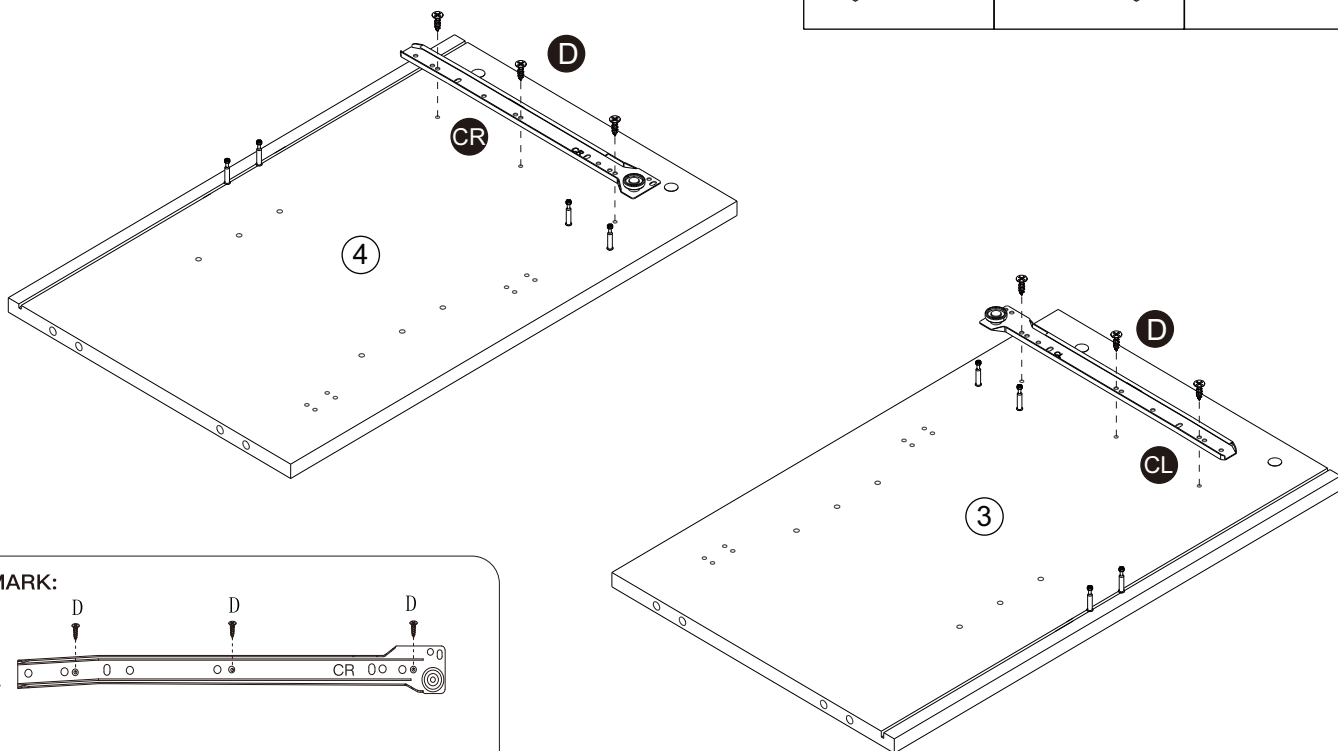


A x8	F x1
	D x2

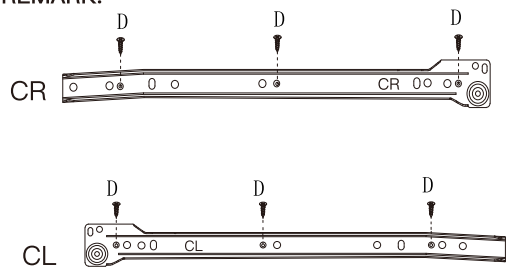


Step 2

CL x1	CR x1	D x6

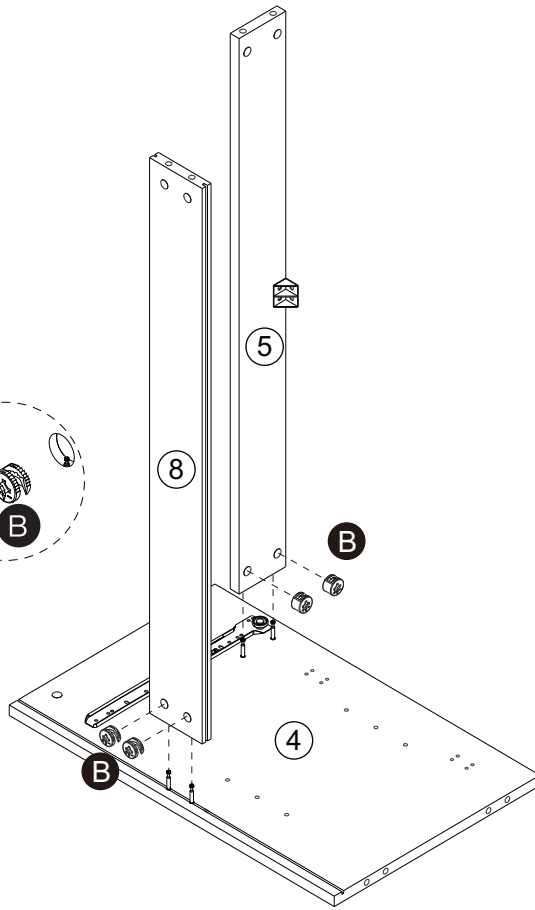
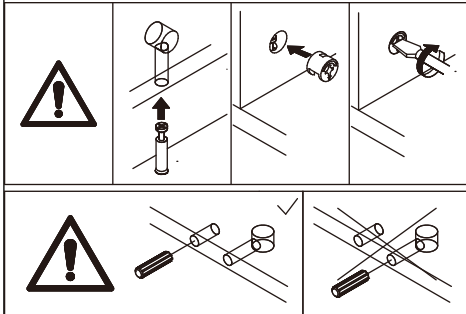
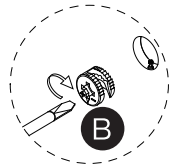


REMARK:



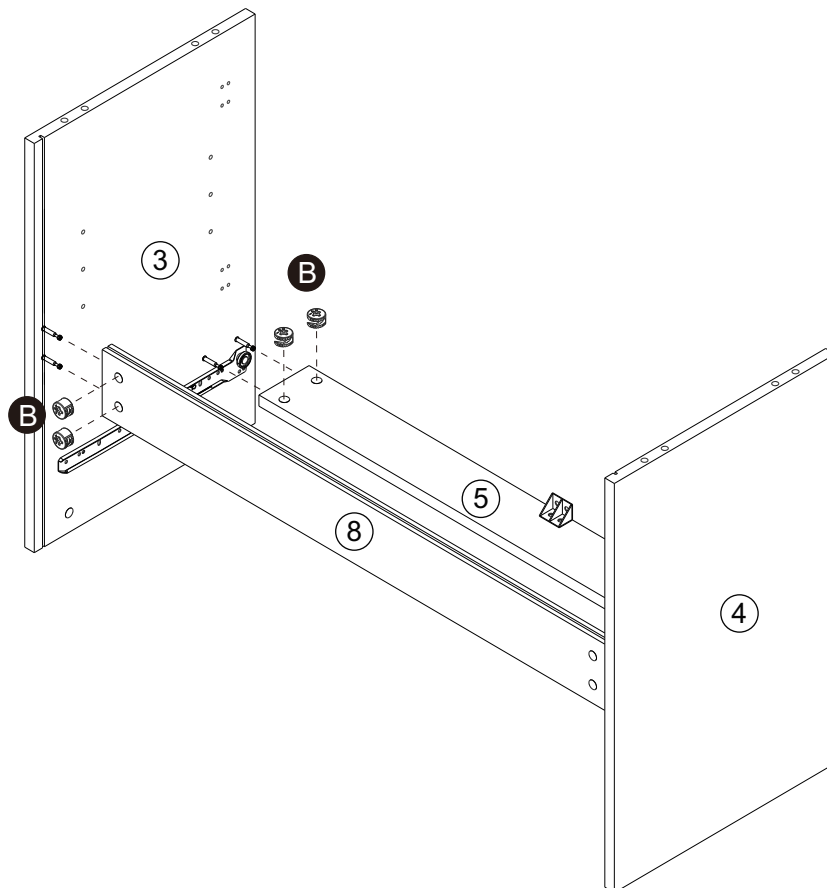
Step 3

B ×4

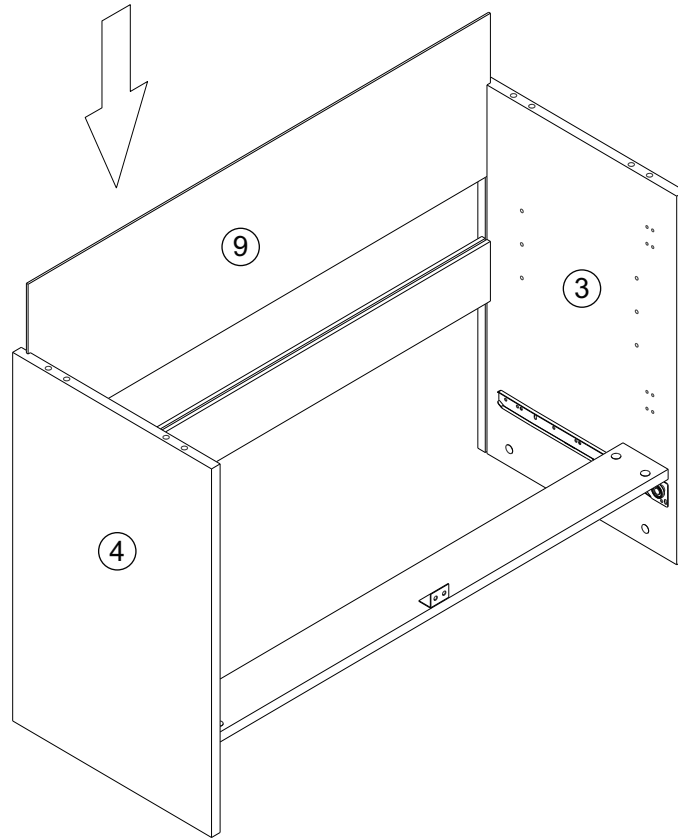


Step 4

B ×4

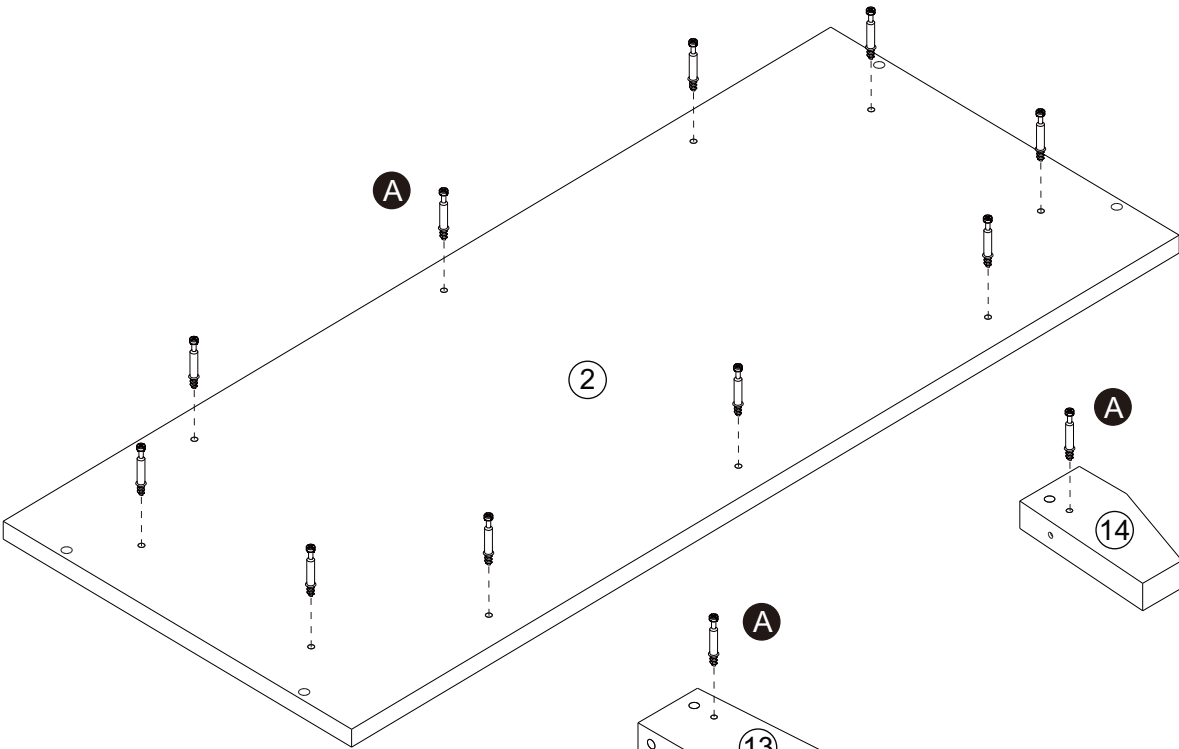


Step 5



Step 6

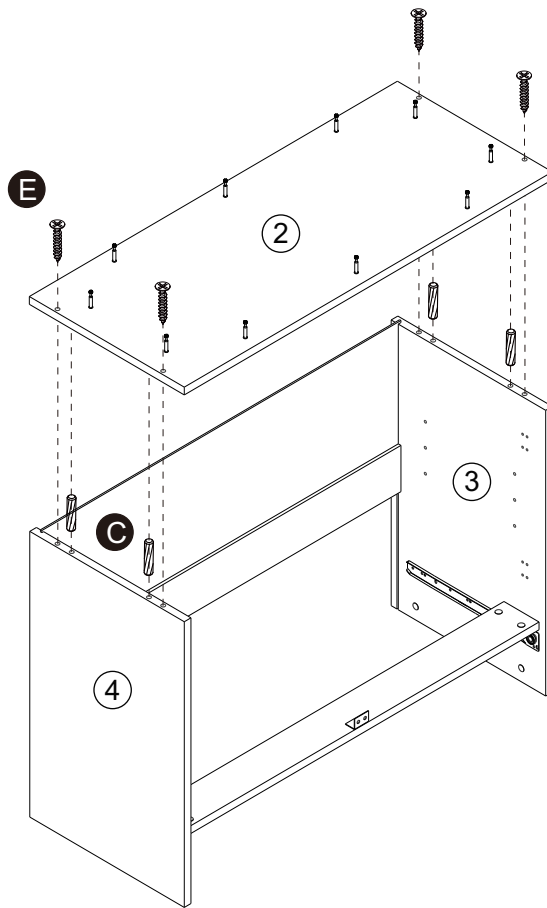
A x14

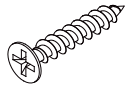
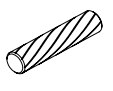


X2

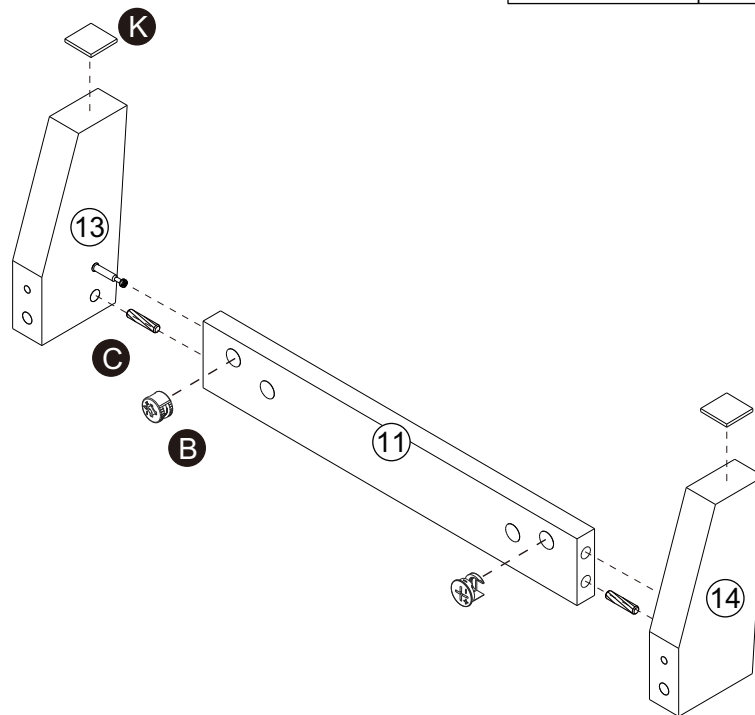
X2



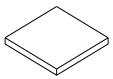
Step 7



E ×4	C ×4
	


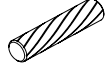



Step 8

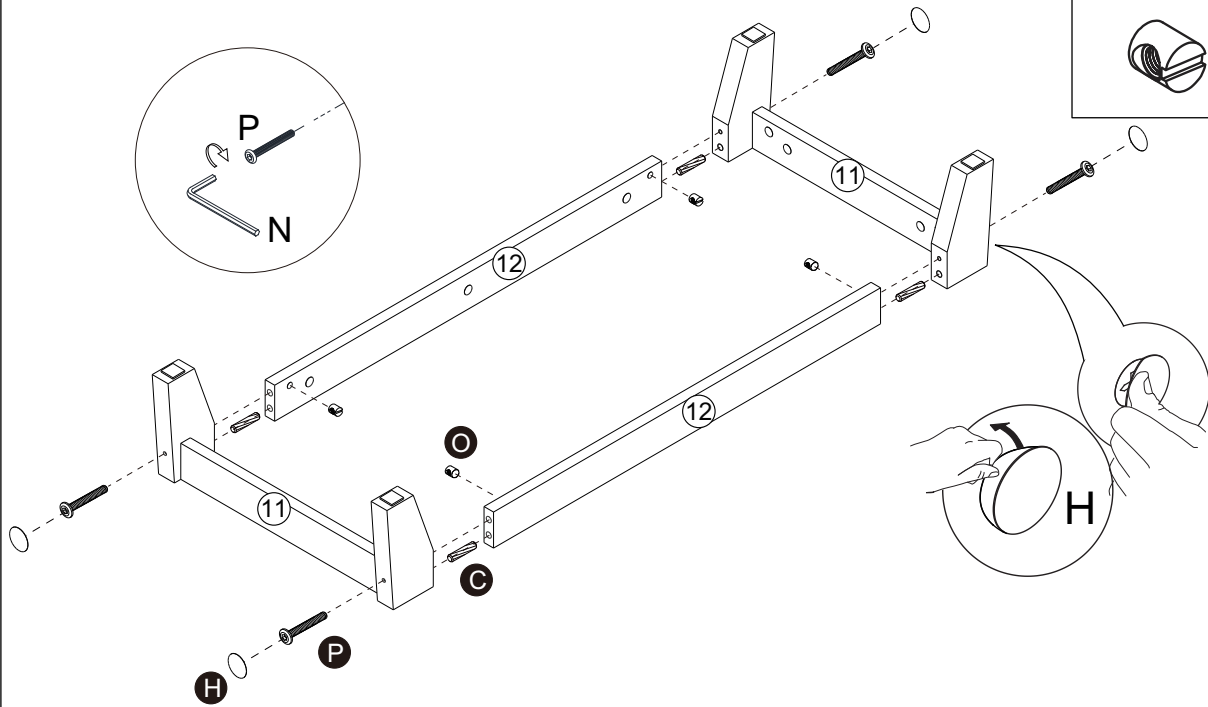


C ×4	B ×4	K ×4
		


X2

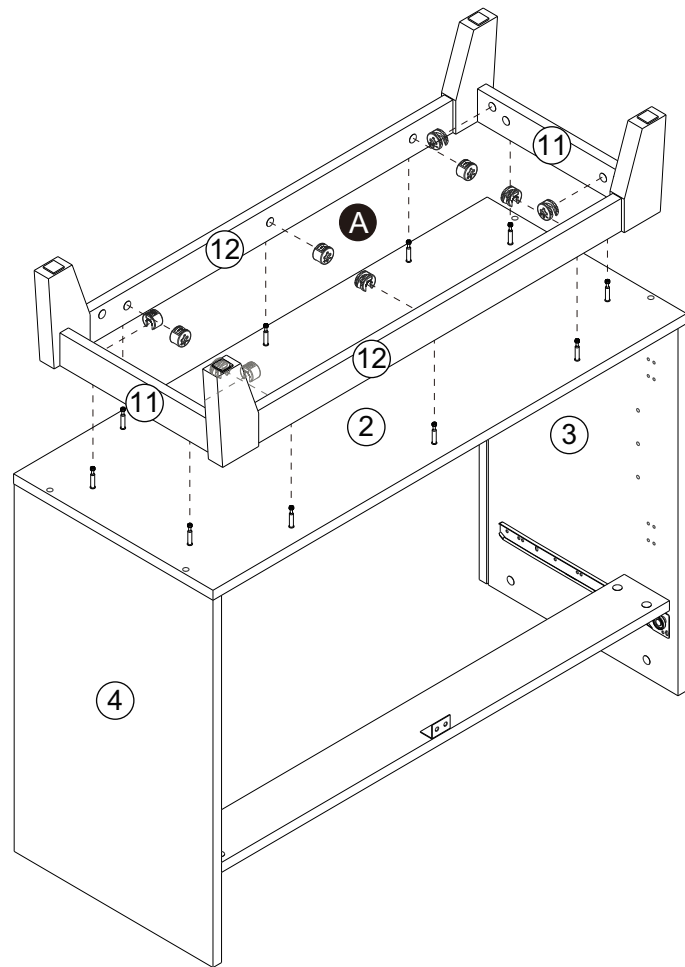
Step 9

N × 1	C × 4	H × 4
		
	O × 4	P × 4
		

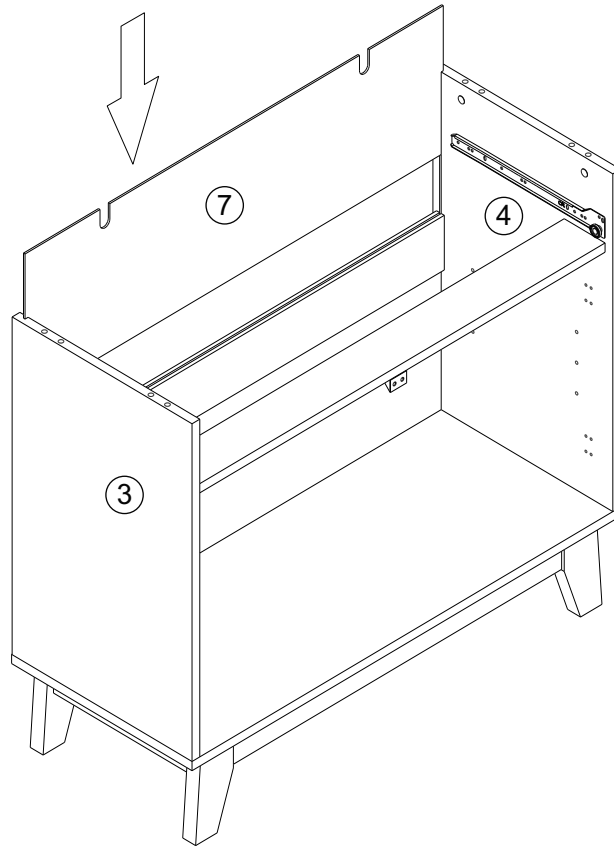


Step 10




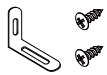
B × 10


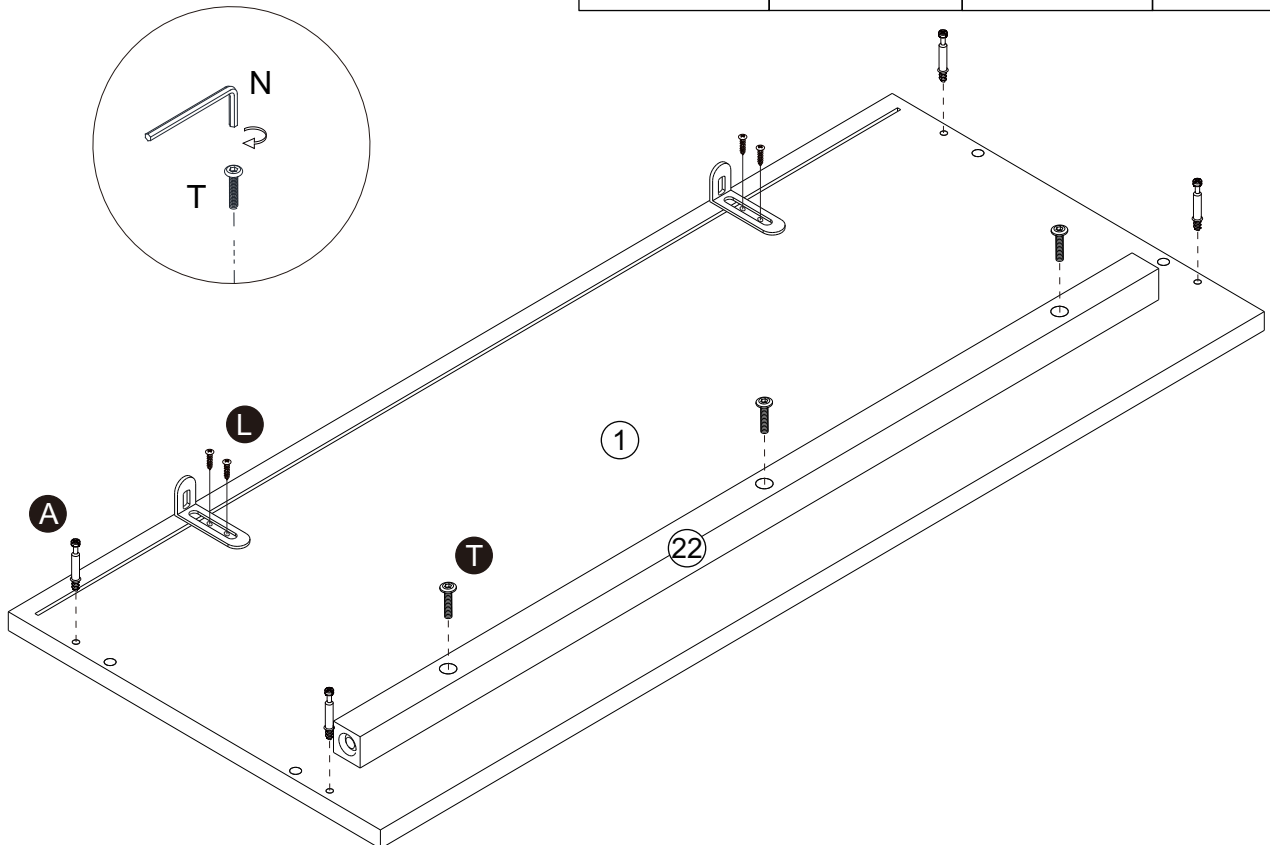


Step 11

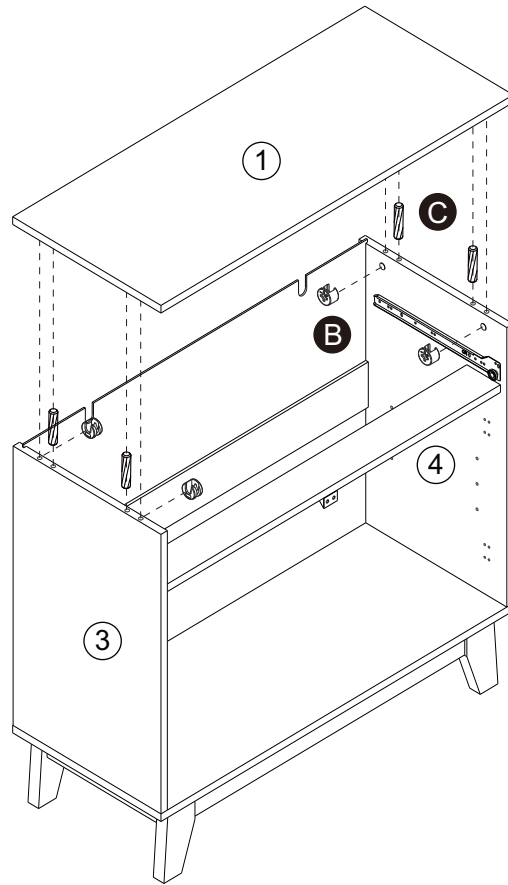



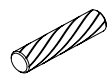
Step 12

N × 1	T × 3	A × 4	L × 2
			

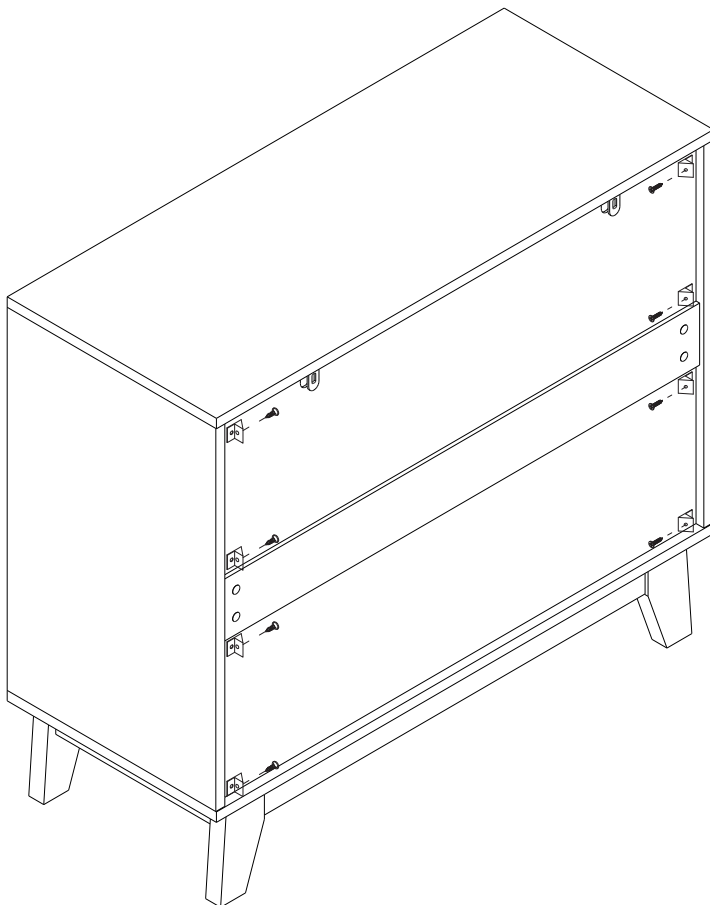



Step 13

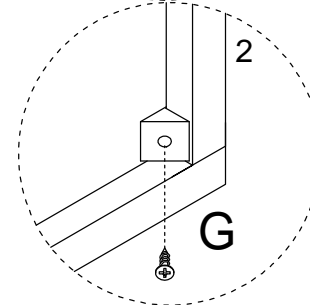
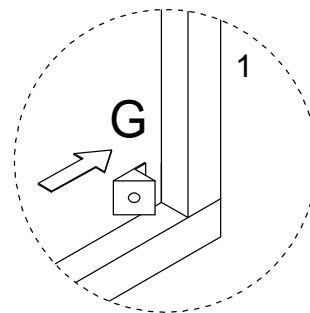


B ×4	C ×4
	

Step 14

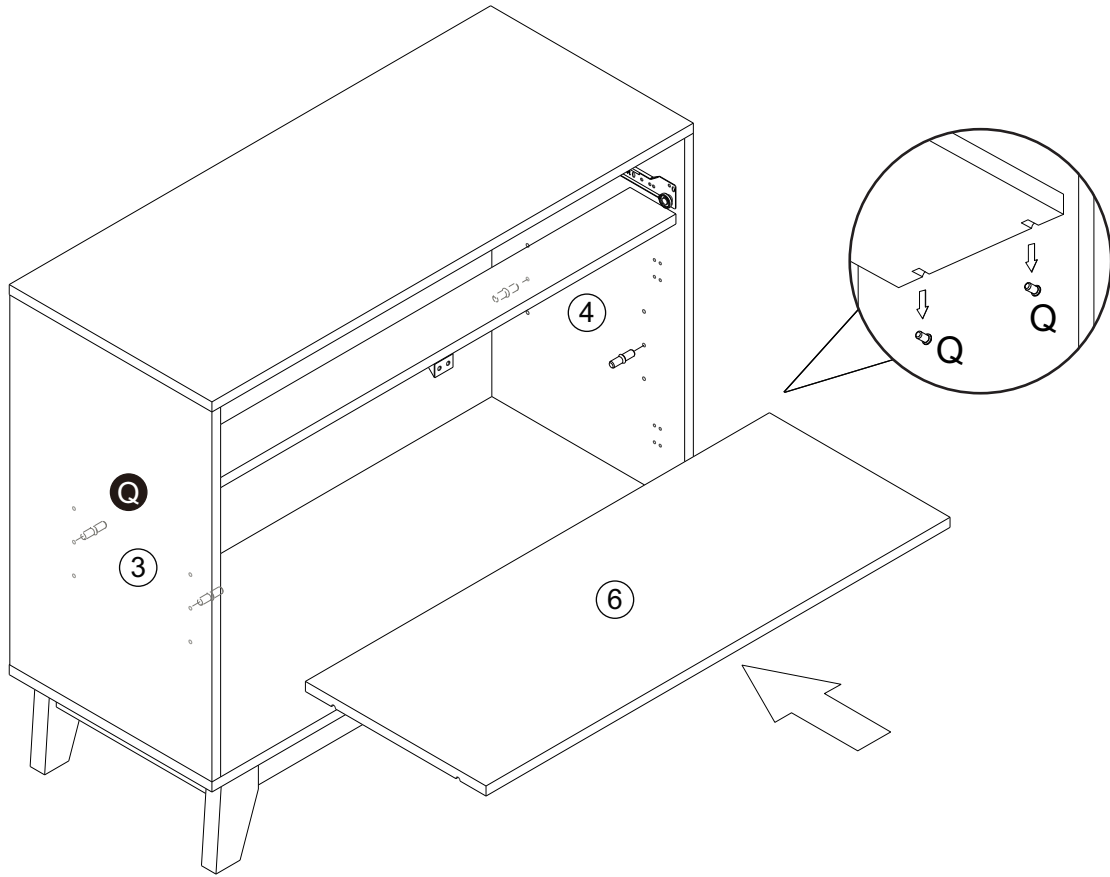
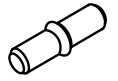


G ×8




Step 15

Q x4



Step 16

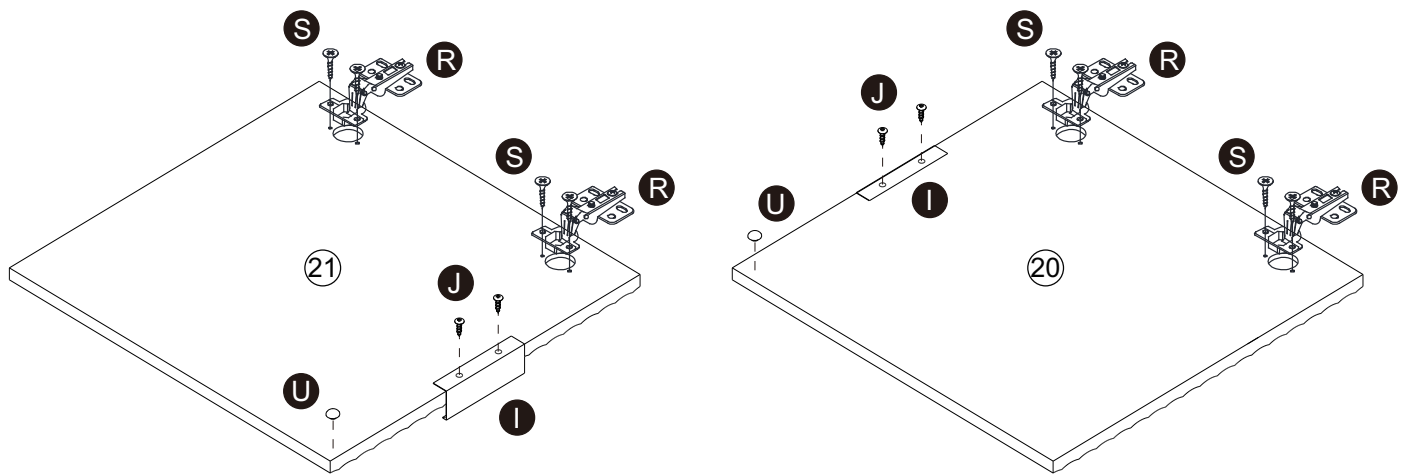
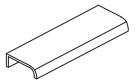
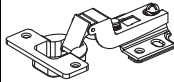
U x2

R x4

S x8

J x4

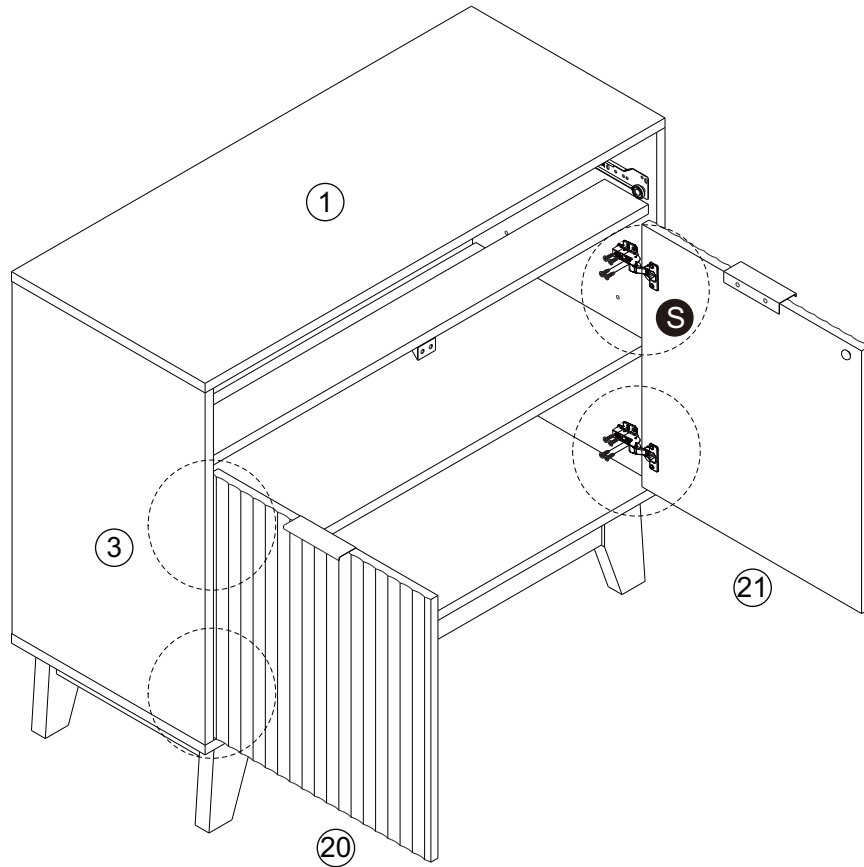
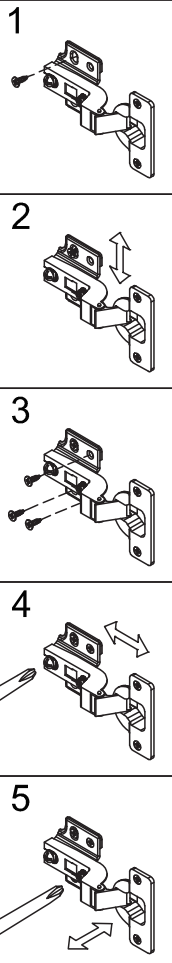
I x2



X2

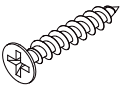
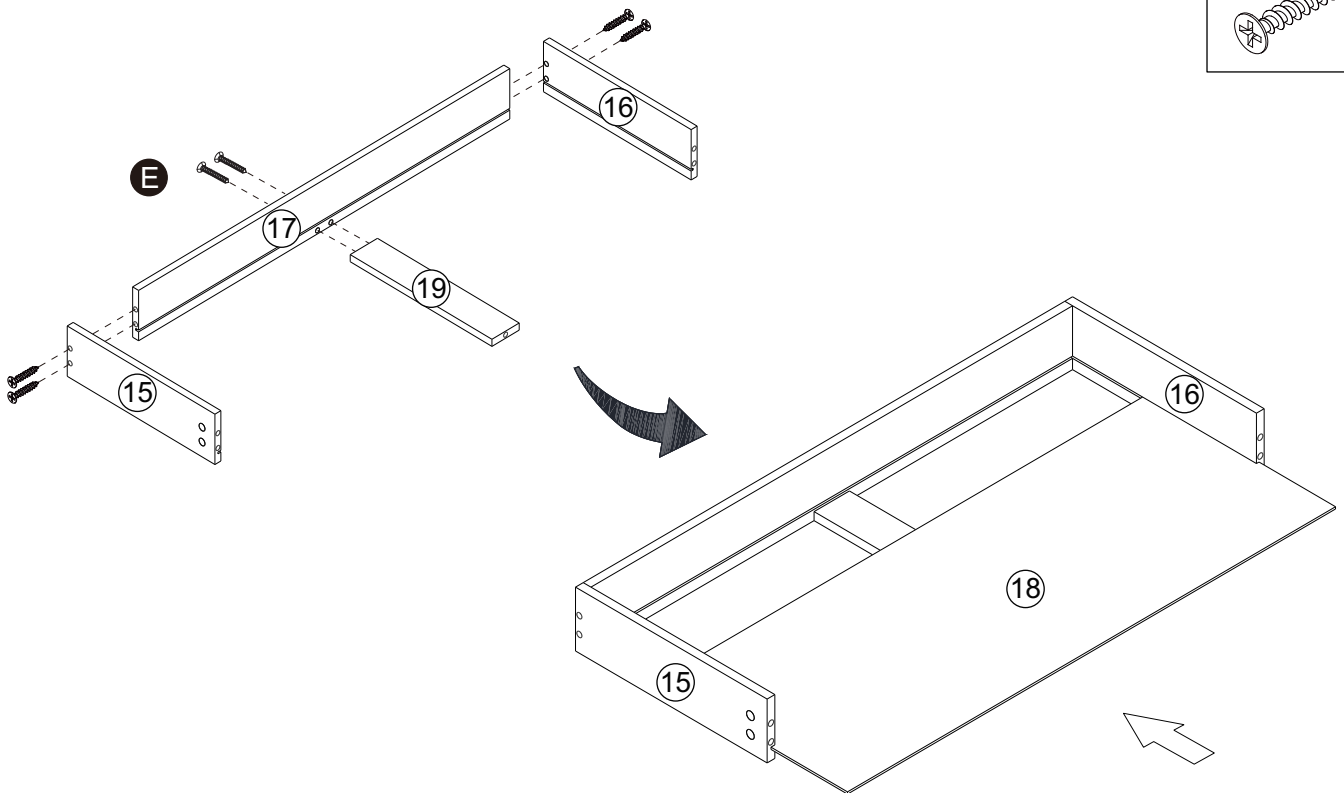
Step 17

S × 16

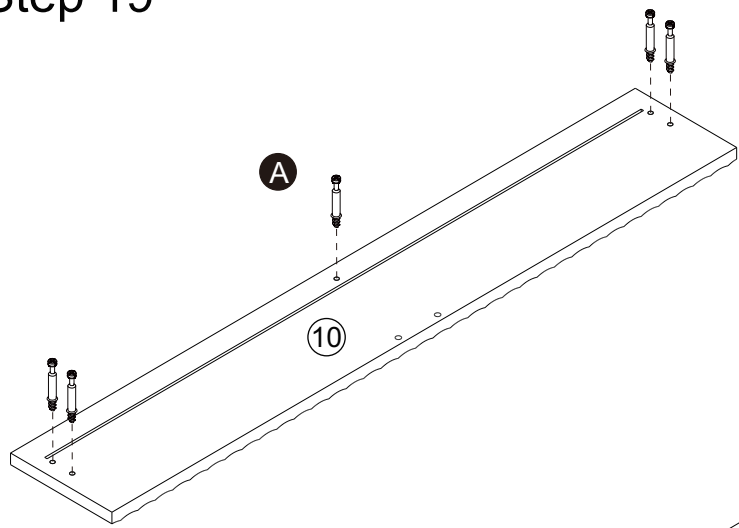


Step 18

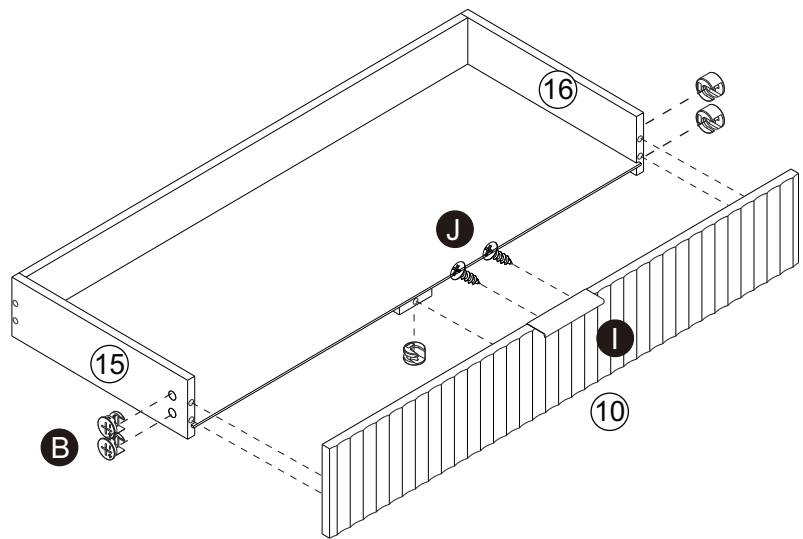
E × 6



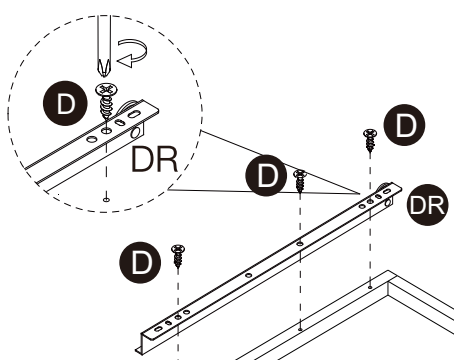
Step 19



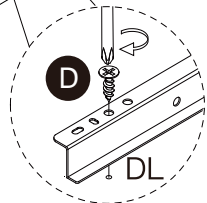
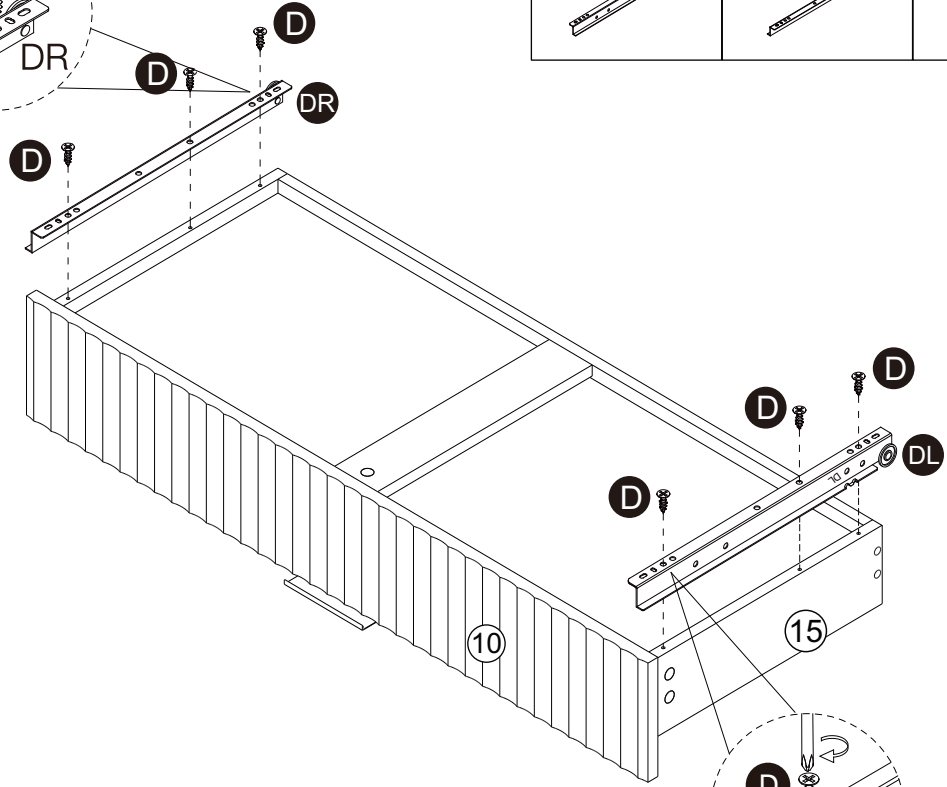
I ×1	B ×5	A ×5
		J ×2



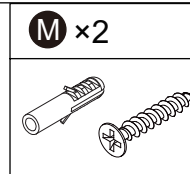
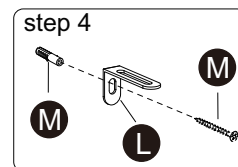
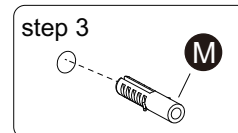
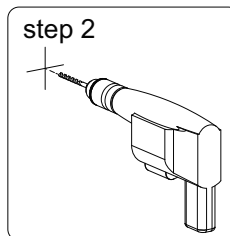
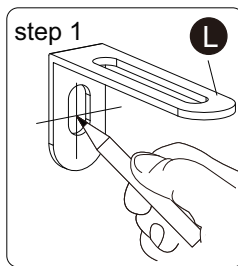
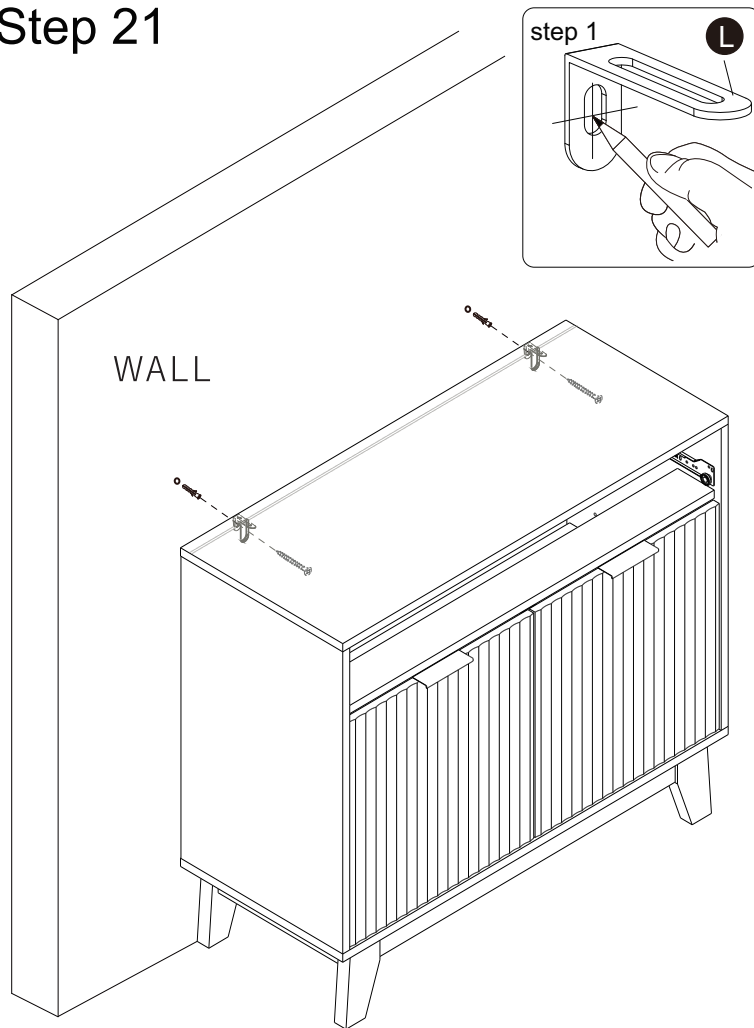
Step 20



DL ×1	DR ×1	D ×6

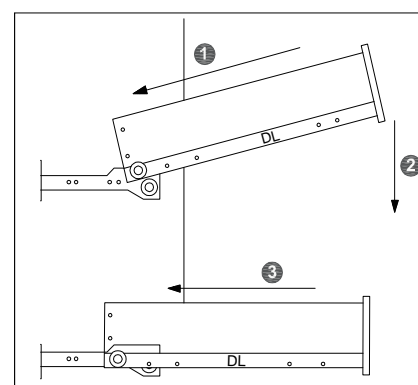
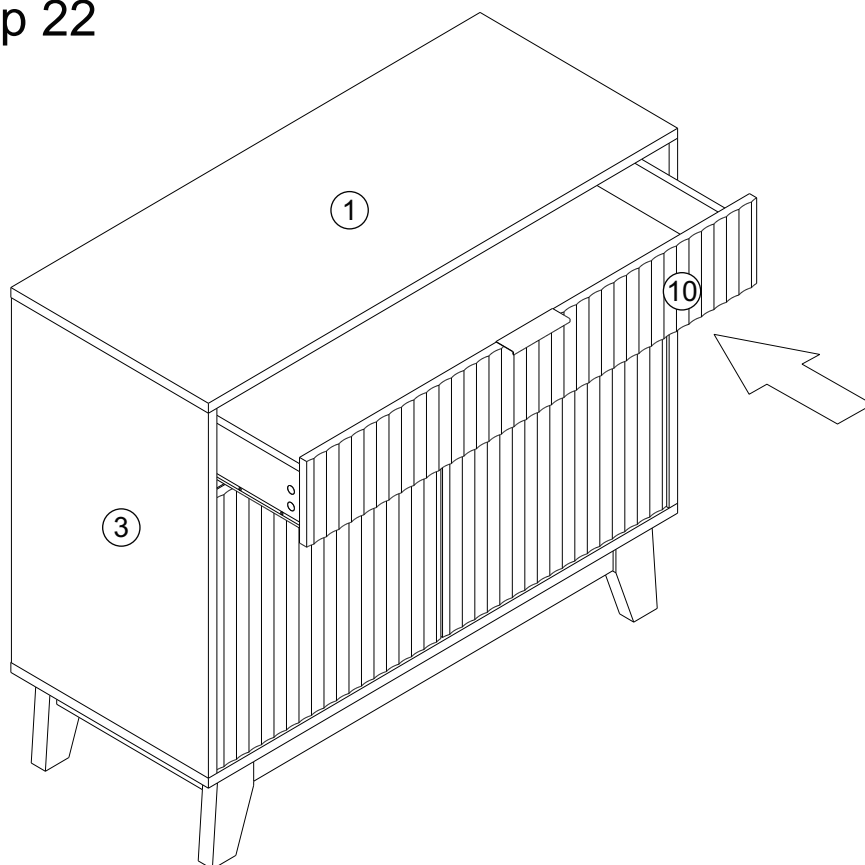


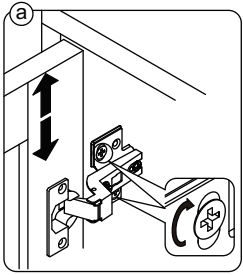
Step 21



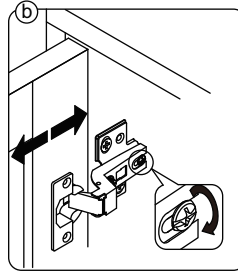
- To reduce the risk of furniture tipping over , pls follow below steps to fix this item to the wall :
- 1) Place this cabinet to your desired location, use a pencil to make a small mark on solid wall through holes on wall bracket (L).
 - 2) Move cabinet away ,follow the pencil mark to drill hole on solid wall.
 - 3) Screw wall anchor (M) into wall hole.
 - 4) Place cabinet against to the wall, fix screw(M) through wall bracket(L) into wall anchor (M) .

Step 22

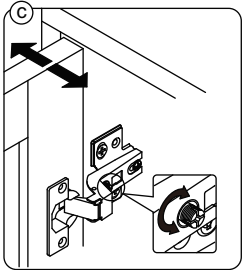




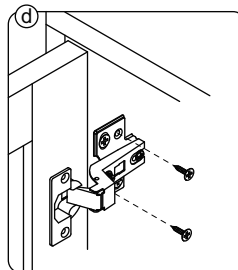
To adjust the door vertically loosen the screw as shown and move up and down as needed.



To adjust the gap from the door to the main frame turn the screw clockwise or anti-clockwise as needed.



To adjust the door laterally adjust the screw as shown by turning clockwise or anti-clockwise.



Please fix other screws.

WARNING



Children have died from furniture tipover.
To reduce the risk of furniture tipover:

- ALWAYS install tipover restraint provided.
- NEVER put a TV on this product.
- NEVER allow children to stand, climb or hang on drawers, doors, or shelves.
- NEVER open more than one drawer at a time.
- Place heaviest items in the lowest drawers.



CONTACT US

Dear customer , thank you for purchasing our products !

We are proud to present our customers with high quality products !



If you have any product quality or use problems ,please contact our customer service by email ,we will ensure your satisfaction .