

# Drawer Dresser

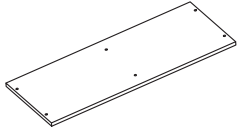
## Instruction Manual



# 1 Component List

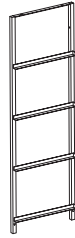
---

**A** X1



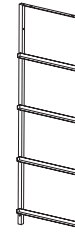
Top Board

**B** X1



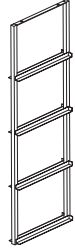
Side Frame

**C** X1



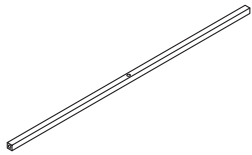
Side Frame

**D** X1



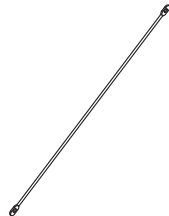
Middle Frame

**E** X2



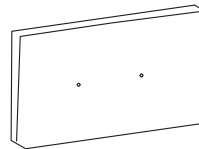
Cross Tube

**F** X2



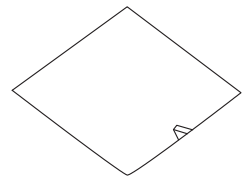
Reinforcement Bar

**G** X8



Drawer

**H** X8

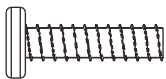


Base Board for  
Drawer

# 2 Supplied Parts and Hardware

---

**1** X6



Bolts

M6x30mm

**2** X9



Bolts

M6x12mm

**3** X16



Bolts

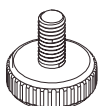
M4x10

**4** X8



Drawer Handle

**5** X4



Adjusting Foot

**6** X2



Bolts

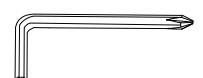
M4x60mm

**7** X2



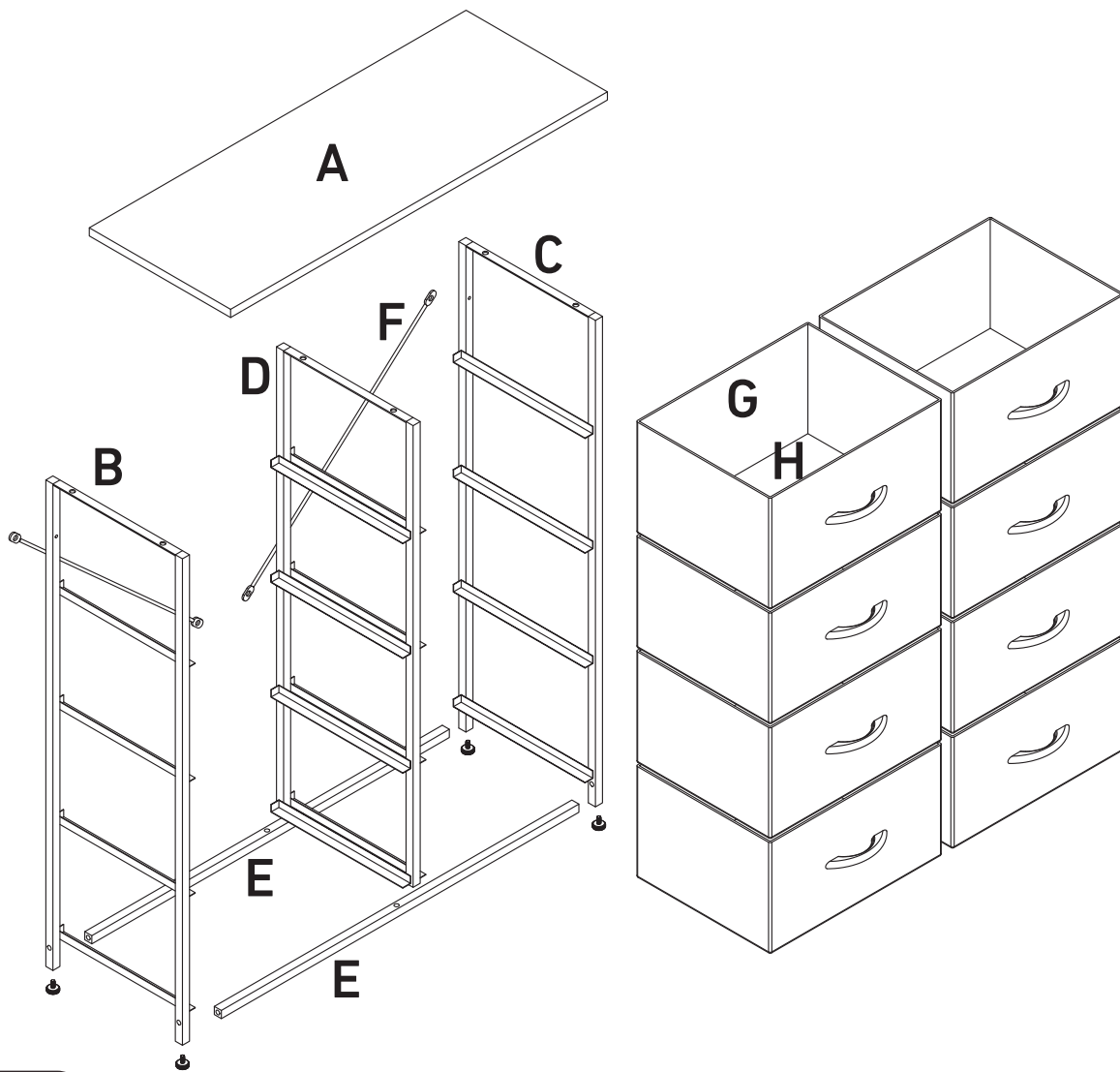
Expansion Tube

**8** X1

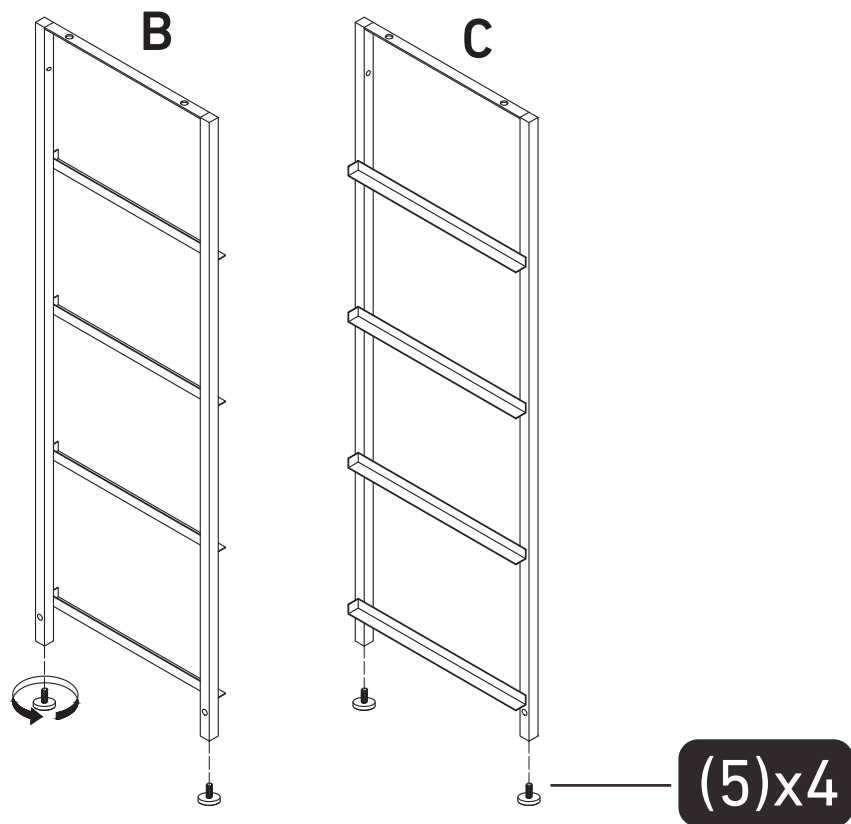


Wrench

M4

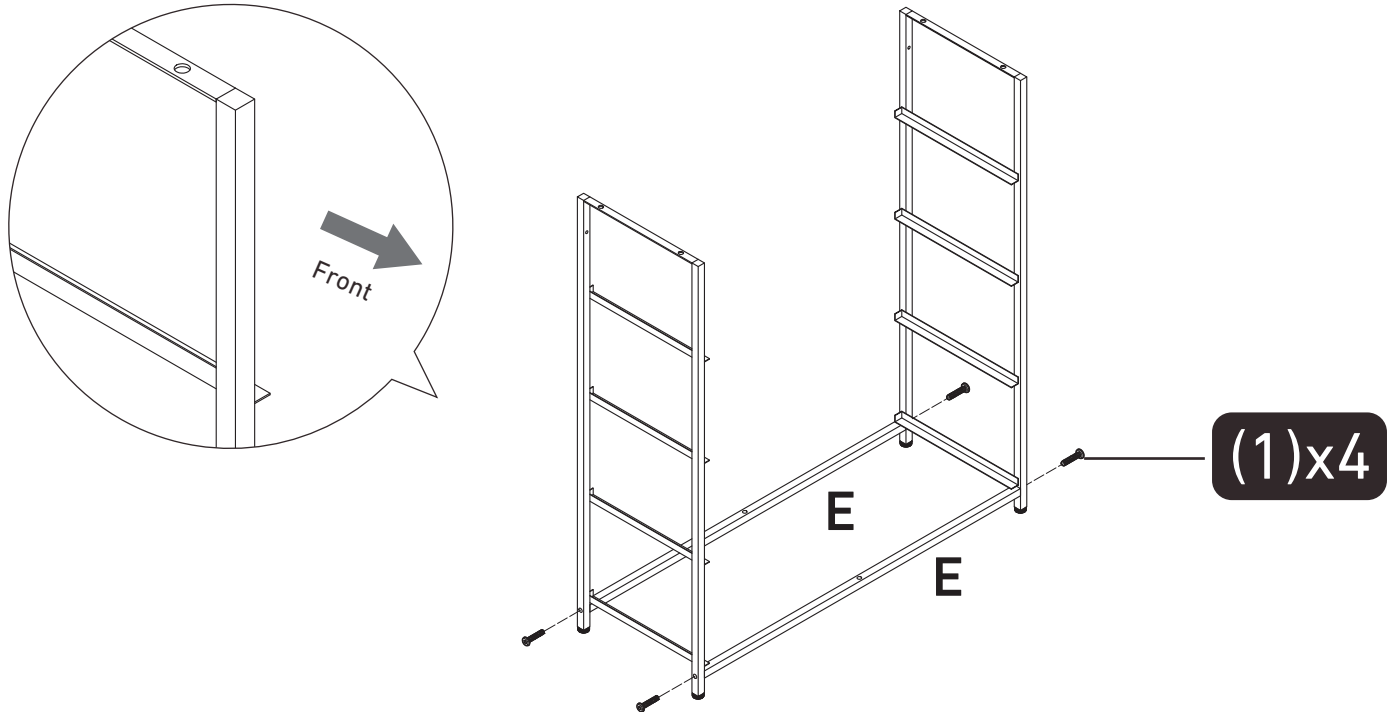


## Step 1



Install Adjusting Foot (5)\*4 to the Side Frames (B&C).

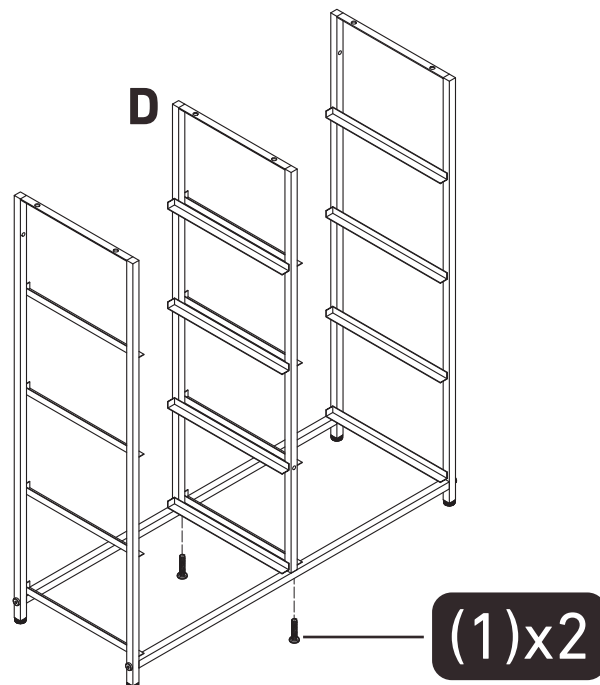
## Step 2



Install Cross Tube **(E)\*2** to the bottom of Side Frames **(B&C)** with Bolts **(1)\*4**.

**NOTE:** Side Frames **(B&C)** face the same direction.

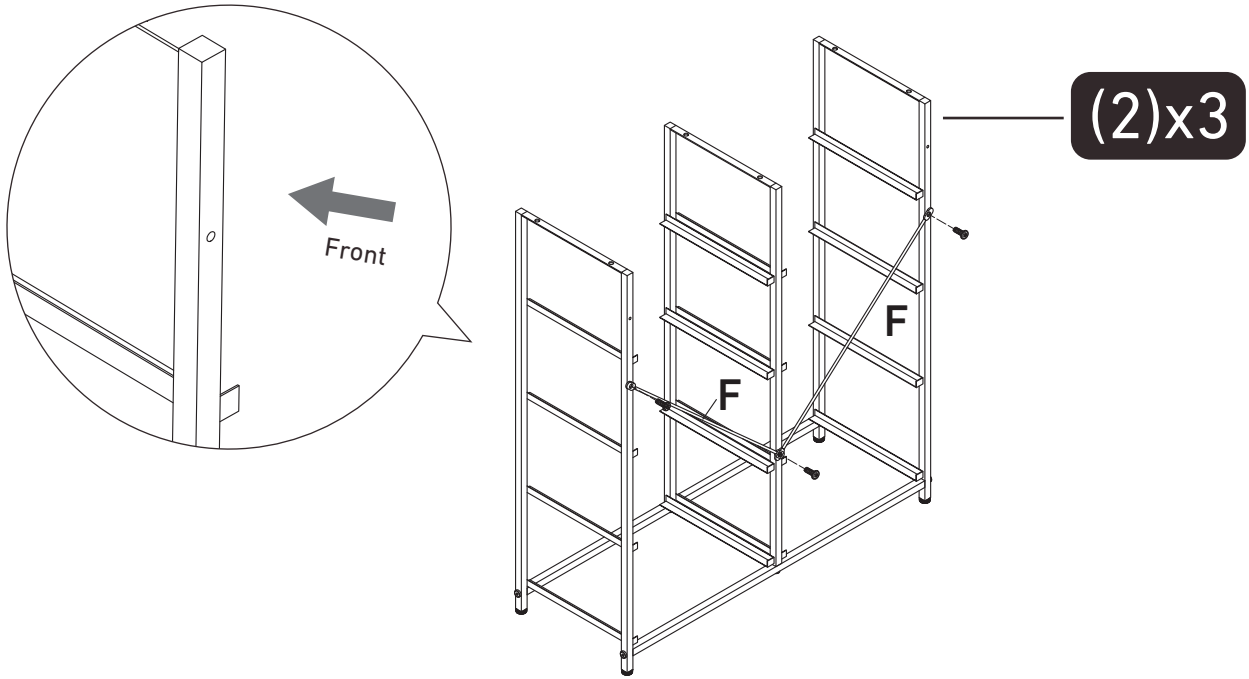
## Step 3



Install Middle Frame **(D)** to the Cross Tube **(E)** with Bolts **(1)\*2**.

**NOTE:** Frames **(B&C&D)** face the same direction.

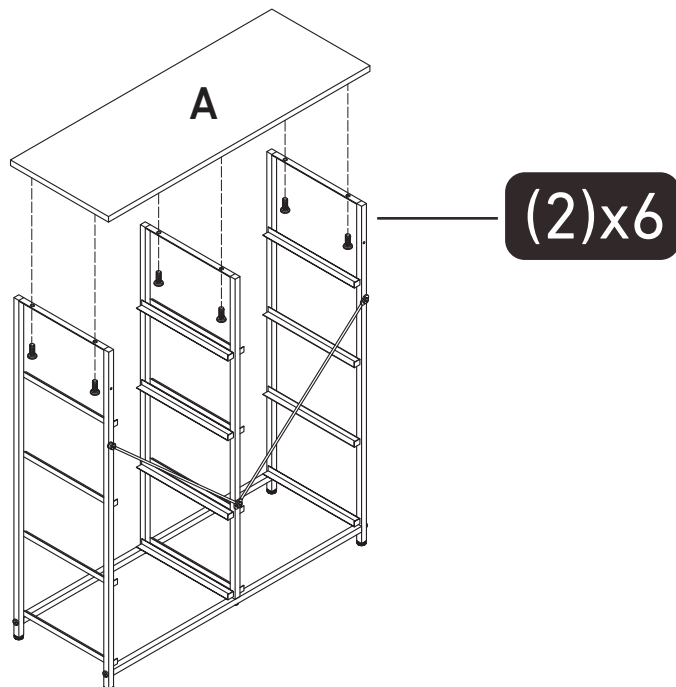
## Step 4



Turn the cabinet over, make its back face forward to facilitate the installation of the Reinforcement Bar (F).

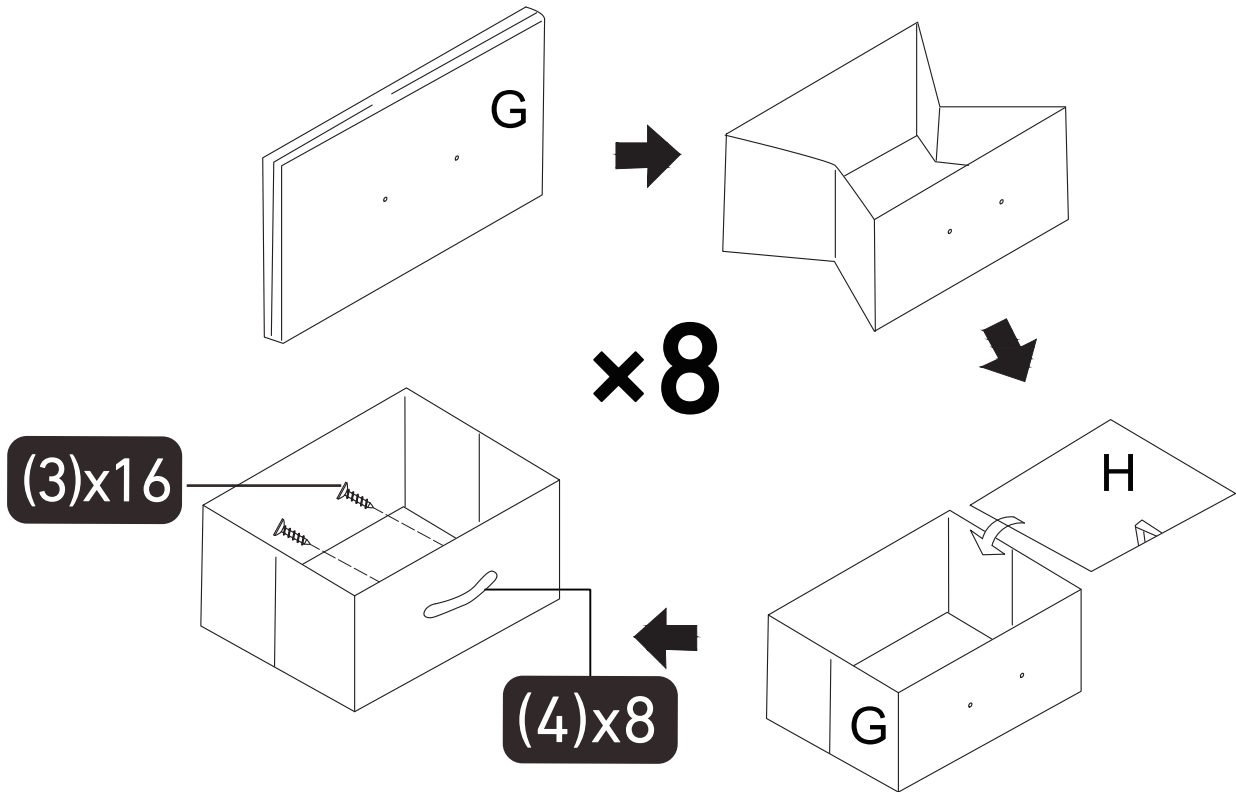
Use Bolts (2)\*3 to fix the Reinforcement Bar (F)\*2 to the Frames (B&C&D) as shown.

## Step 5



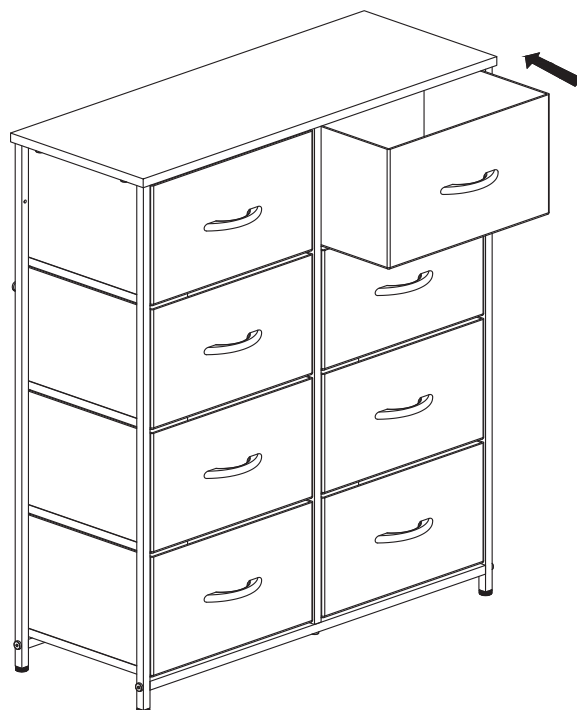
Attach Top Board (A) to the Frame as shown, and tighten the Bolts (1)\*6.

## Step 6



Place Base Board for Drawer (**H**) into the expanded Drawer (**G**), and install the Drawer Handle (**4**) with Bolts (**3**)\*2. Install the eight Drawers (**G**) in the same way.

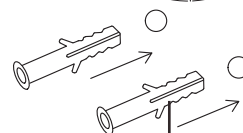
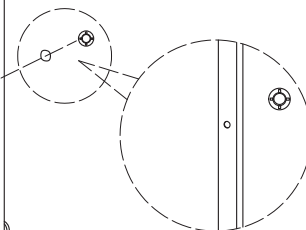
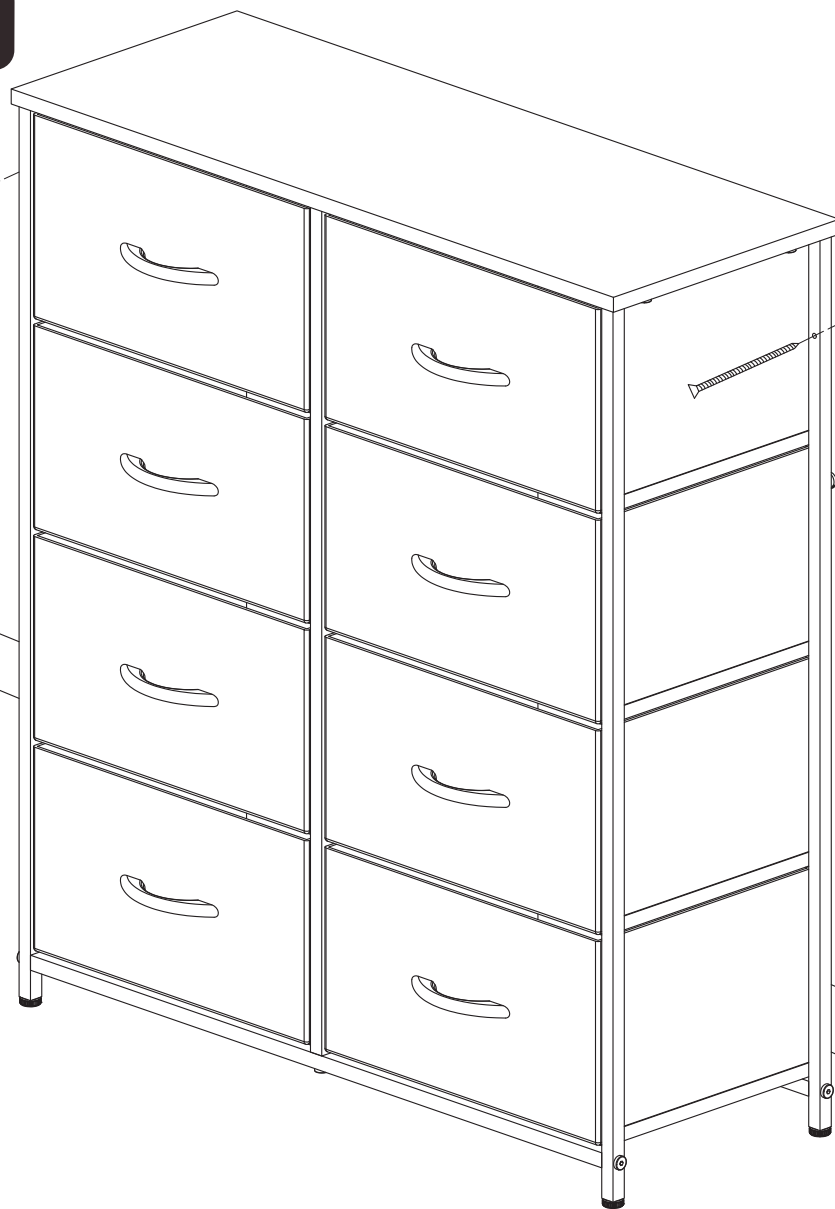
## Step 7



Put the installed Drawer (**G**)\*8 into the frame in turn.

## Step 8

(6)x2



(7)x2

If you need to fix the Drawer Dresser to the wall, drill holes in the wall with an electric drill, then insert Expansion Tube **(7)\*2** and fix the Drawer Dresser with Bolts **(6)\*2**.

