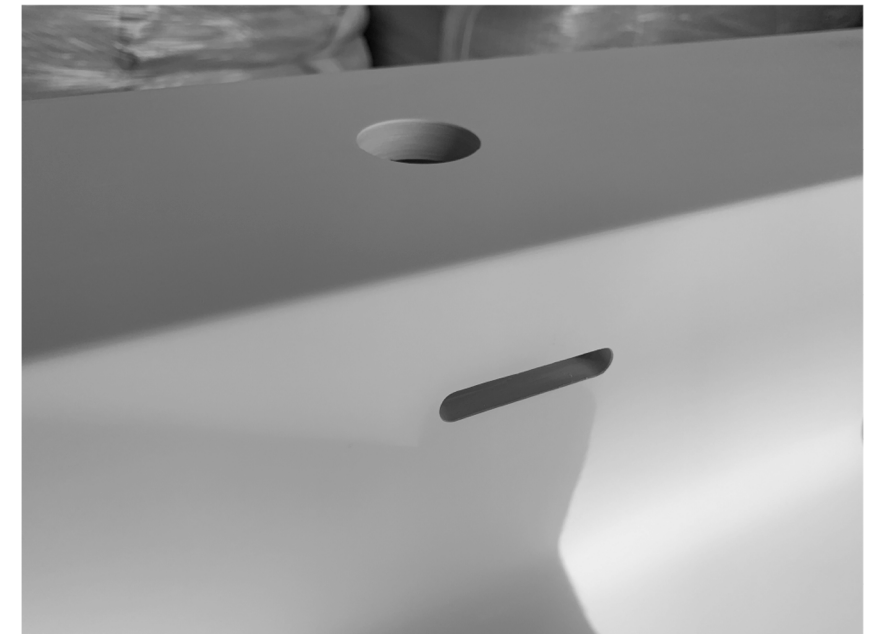
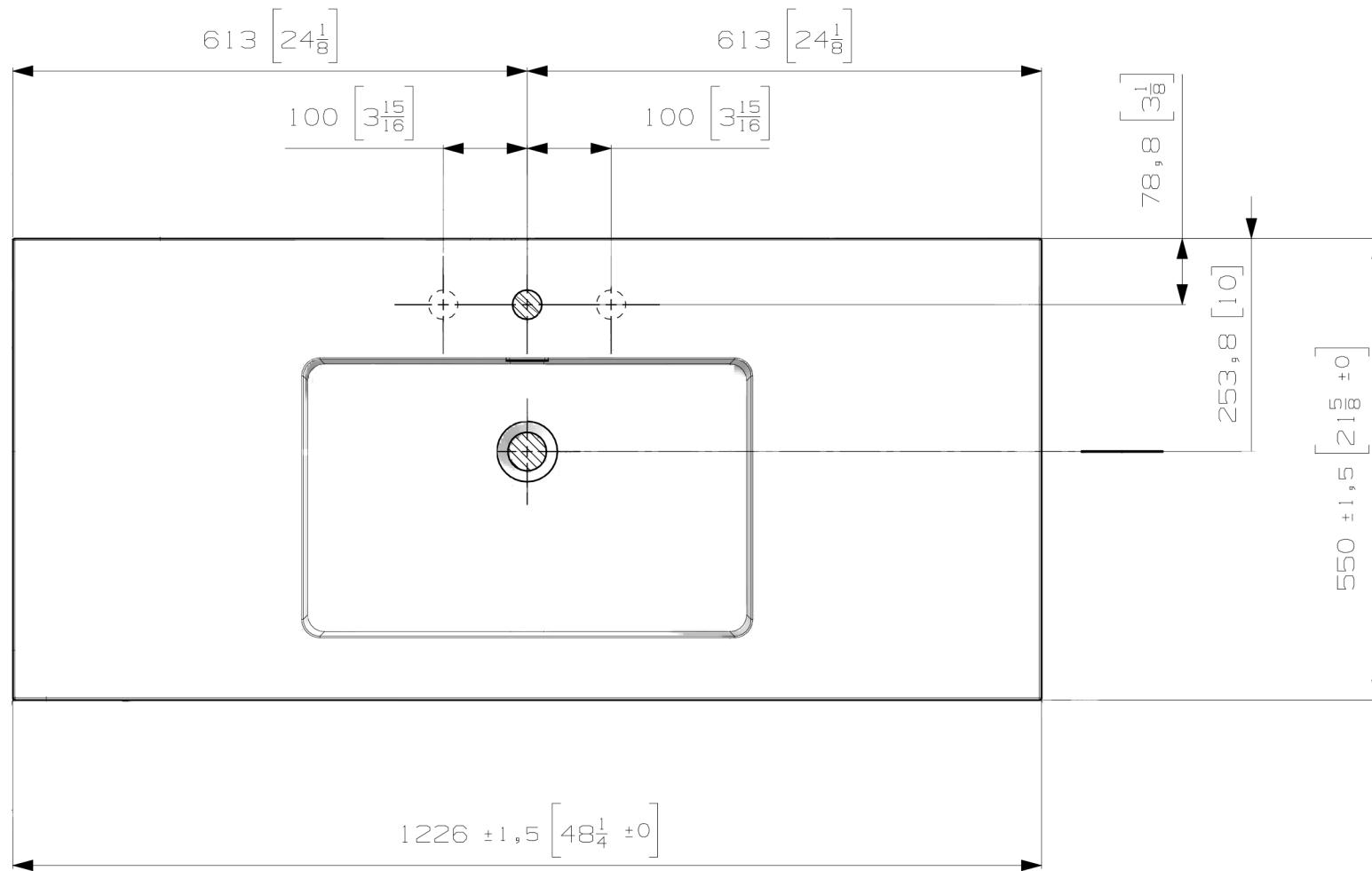
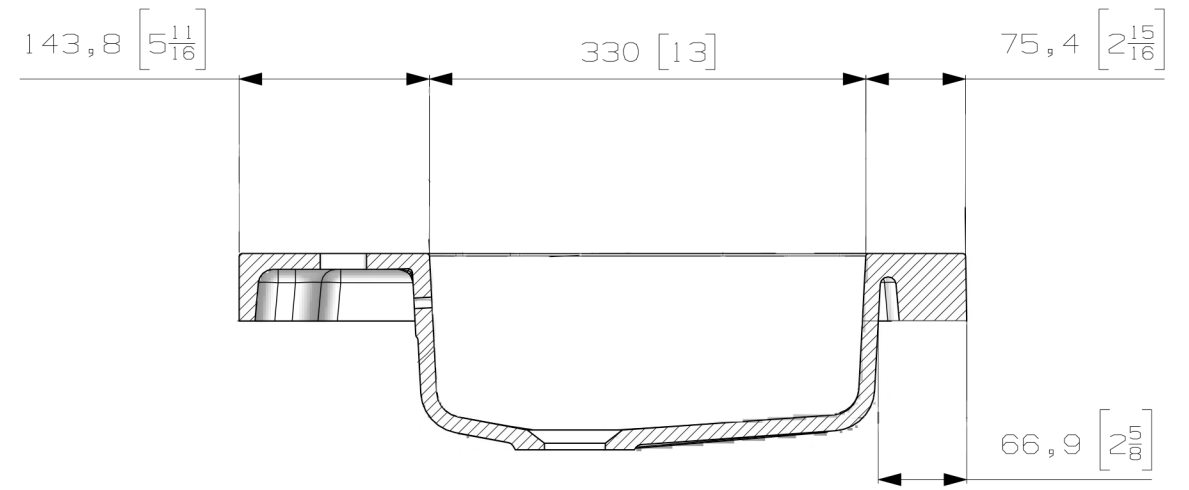
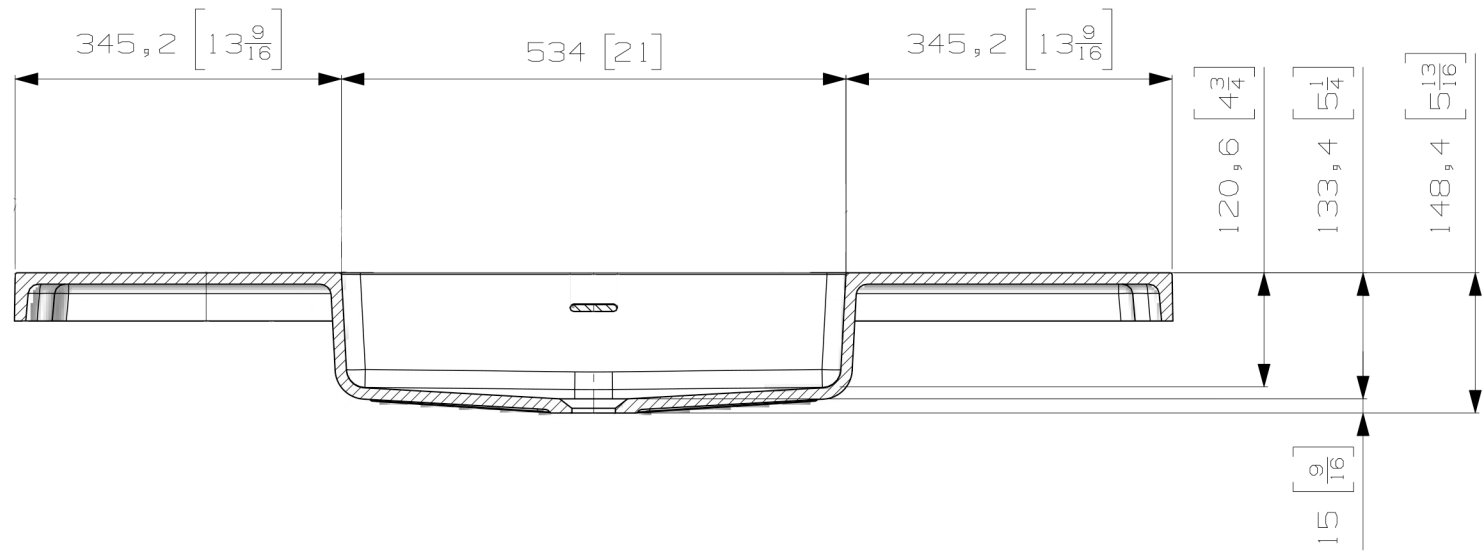
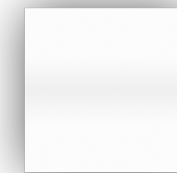




SECTION E-E



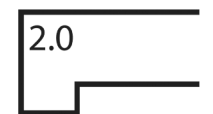
Faucet Holes are 1 3/8" Diameter  
 Drain Holes are 1 13/16" Diameter  
 Mineralstone works best with a larger European drain  
 Faucet Holes are available in 1 or 3



WG White Gloss



WM White Matte



THE FURNITURE GUILD

ESTD 1984

MS-48

48" MINERALSTONE COUNTERSINK

CURRENT AS OF: 09-13-2021

ALL DRAWINGS AND DIMENSIONS ARE SUBJECT TO CHANGE WITHOUT NOTICE AT THE DISCRETION OF THE MANUFACTURER. THE MANUFACTURER RESERVES THE RIGHT TO MAKE ADDITIONS, DELETIONS, AND MODIFICATIONS TO THE DRAWINGS AS THE MANUFACTURER MAY DEEM APPROPRIATE OR DESIRABLE. DIMENSIONS ARE APPROXIMATE AND MAY VARY WITH ACTUAL CONSTRUCTION. PLEASE CONTACT THE FURNITURE GUILD, INC. TO ENSURE DRAWING IS UP TO DATE.

THE INFORMATION CONTAINED IN THIS DRAWING IS THE SOLE PROPERTY OF THE FURNITURE GUILD, INC. ANY REPRODUCTION IN PART OR AS A WHOLE WITHOUT WRITTEN PERMISSION OF THE FURNITURE GUILD, INC. IS PROHIBITED.