



Play The Best®

TABLE TENNIS TABLE

MODEL NOS.

**T8612**

**T8612A**

# OWNER'S MANUAL

1. **Read this manual carefully before starting assembly.** Read each step completely before beginning each step.
2. **Some smaller parts may be shipped inside larger parts. Check inside all parts and cartons before assembling or ordering parts.**
3. **To make assembly easier, use the Hardware Identifier on page 9 to identify and sort all fasteners. Check all cartons for kits. All hardware may not be located in one kit.**
4. **Do not tighten hardware until instructed to do so.** If hardware is tightened too soon, mounting holes may not align and parts may not easily fit together. Leave locknuts slightly loose until you are instructed to tighten them.
5. **Tools required for assembly:** Phillips Screwdriver, 3/8 Wrench, and Two 7/16 Wrenches (adjustable wrenches may be substituted for the wrenches).
6. **Save this instruction and your proof of purchase (receipt) in the event that the manufacturer has to be contacted for replacement parts.**

## Please Do Not Return This Product To The Store!

Contact Escalade® Sports customer service department at:

Phone: 1-866-873-3528 Toll – Free !

Fax: 1-866-873-3533 Toll – Free !

E-mail: [tabletennis@escaladesports.com](mailto:tabletennis@escaladesports.com)

Mailing Address (correspondence only):

Escalade Sports

PO Box 889

Evansville, IN 47706

Please visit our World Wide Web site at: [www.escaladesports.com](http://www.escaladesports.com)

ON-LINE TROUBLE SHOOTING

TECHNICAL ASSISTANCE

ON-LINE PARTS REQUESTS

FREQUENTLY ASKED QUESTIONS

ADDITIONAL ESCALADE® SPORTS PRODUCT INFORMATION



2L-4127-02

Escalade® Sports products may be manufactured and/or licensed under the following patents.  
6120397, 5816957, 5769744, 5119741, 4911085, 4717157, D460140, D420563

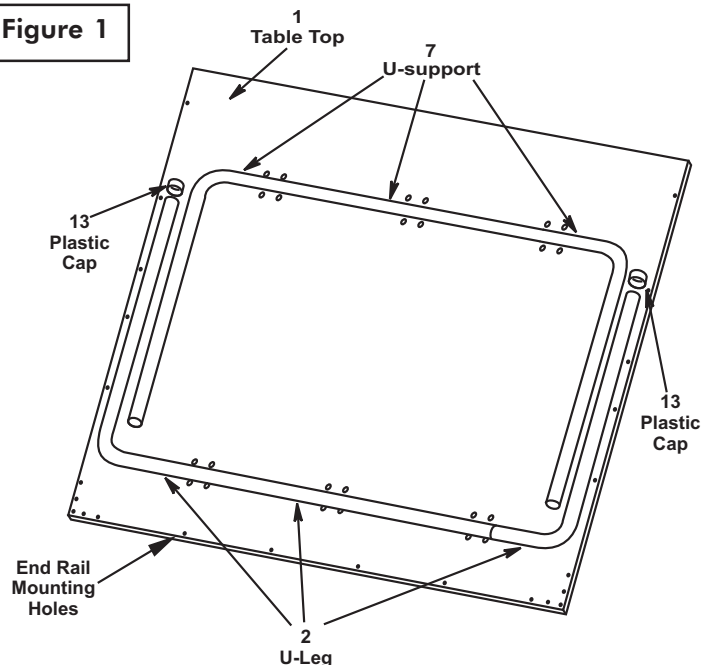
Additional patents may be pending. One or more of the listed patents and/or pending patents may cover specific product.

©2013 Escalade® Sports

For aid in identifying hardware, see hardware identifier on page 9.

1. Lay table top #1 painted side down, on a smooth, flat surface. Use the shipping container to protect the painted surface of the table top.
2. Align U-Support (#7) and U-Leg (#2) on Table Top as shown in Figure 1. **Note: "U" Leg is Larger and wider than U-Support. The U-Leg should be installed on the end of the table half with the end rail mounting holes.**
3. Put plastic caps #13 on the end of U-leg #2.

Figure 1



**CAUTION:**

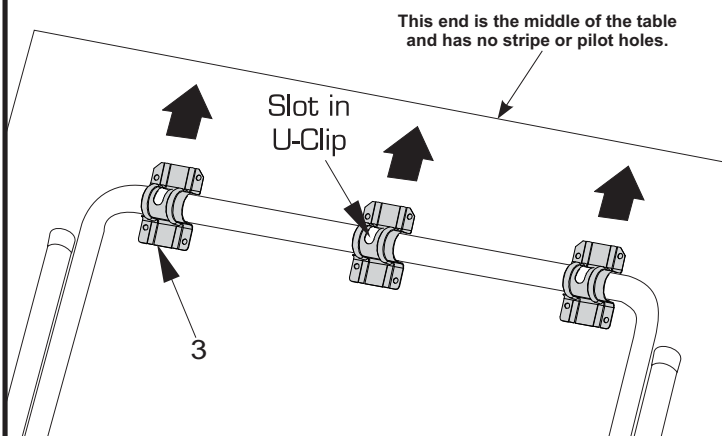
WHEN ASSEMBLING TABLE, IT IS EXTREMELY IMPORTANT THAT THE U-CLIPS (#34) AND (#3) BE TURNED AS SHOWN HERE. IF U-CLIPS ARE TURNED INCORRECTLY, YOU WILL DO IRREPARABLE DAMAGE TO YOUR TABLE WHEN YOU ATTEMPT TO OPEN IT TO THE PLAYING POSITION.

If you want to see a video on how to position the U-Clips go to: <http://www.escaladesports.com/customer-service/videos.html>

4. Align the holes in the Large U-clips #34 and the U-clips #3 with pilot holes in table top assembly and secure with twenty four screws #20 as shown. All four holes in each U-Clip must align with four pilot holes in top.

**IMPORTANT:**

Be sure that slot in the three U-clips #34 and the three U-clips #3 all face the same direction (toward the middle of the table with the U-support) as shown.



This end is the middle of the table and has no stripe or pilot holes.

All screws shown are (#20) sheet metal screws.

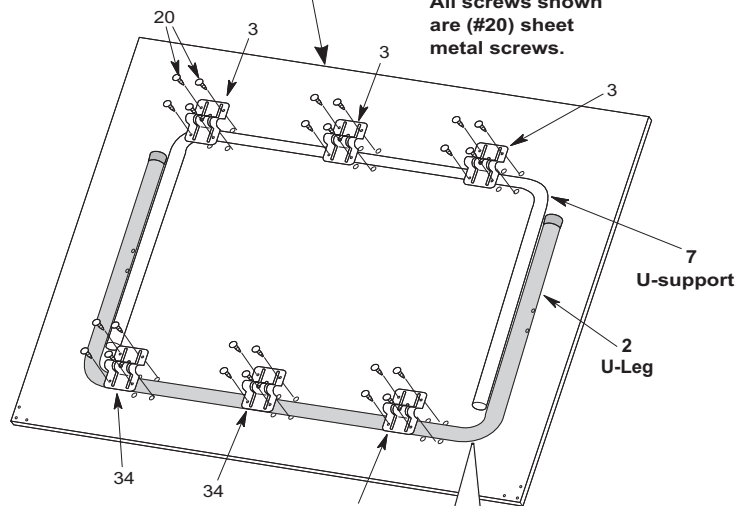


Figure 2

**IMPORTANT: U-Leg is wider than U-support. Make sure they are assembled exactly as shown. If not, there will be a large gap between table halves and table will not operate properly!**

All screws shown are (#20) sheet metal screws.

This end is the middle of the table

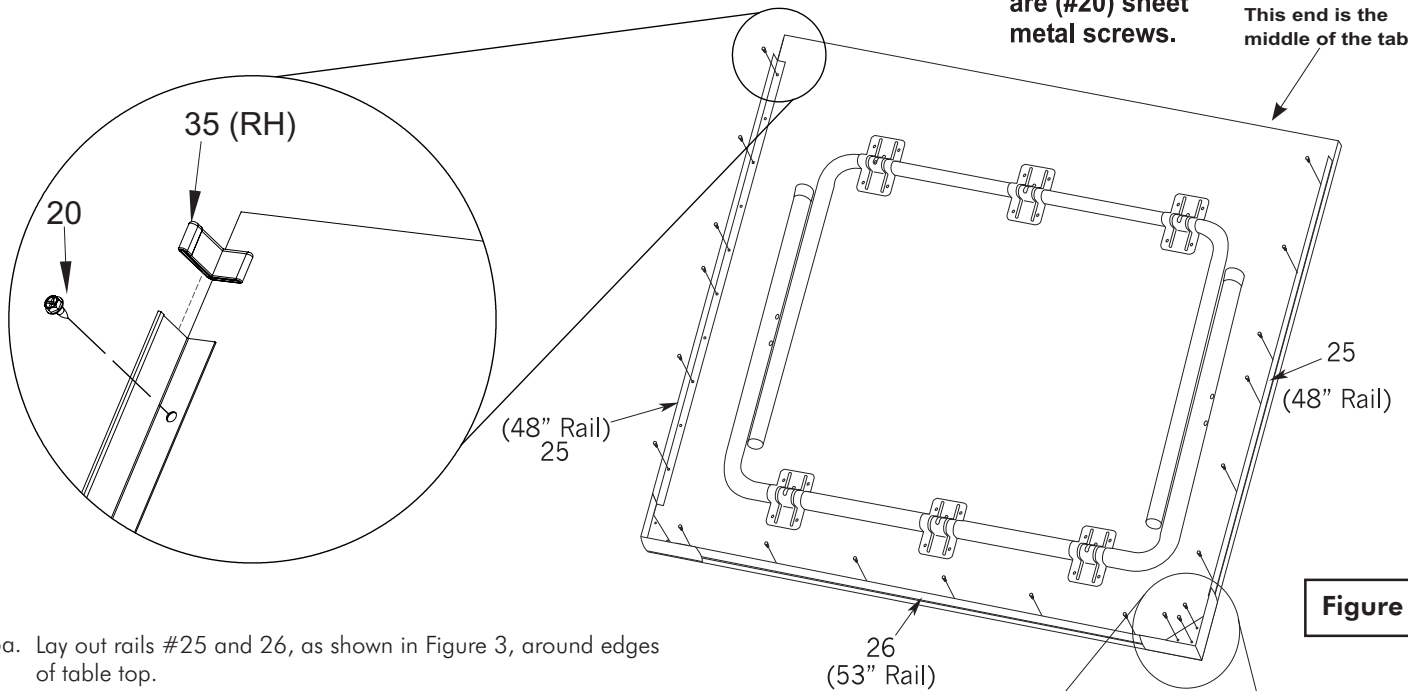


Figure 3

- 5a. Lay out rails #25 and 26, as shown in Figure 3, around edges of table top.
- 5b. Slide Left #36 and Right #35 Vinyl End Caps onto the ends of the Side Rails #25 as shown.
6. Line up holes in rails with pilot holes in top and secure using eighteen screws #20. See Figure 3.
7. Lay Corner Caps #22 on table as shown in Figure 4. If Corner Cap sticks above table top surface of table, flip over so shorter distance is against edge. Secure to bottom of table with three screws #21. **DO NOT** over tighten Screws.

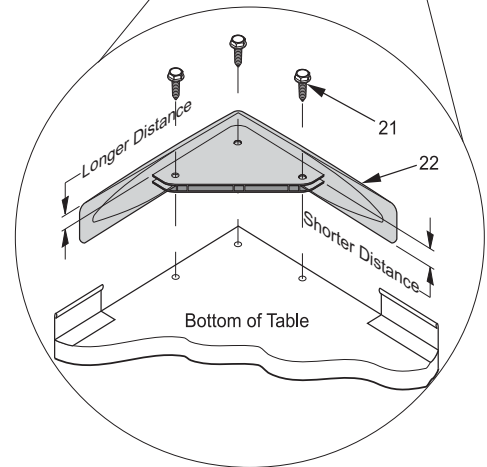


Figure 4

8. Rotate U-support #7 until you see the screw hole in the slot of U-clip #3. Slide U-support #7 side to side if necessary.

Note: Slide U-Support back and forth until you see the hole (if necessary).

**Note:** To aid in assembly you can use a cordless drill and Phillips bit for **Step 9 only**. **Wear safety glasses.**

9. Insert screw #19 through slot in U-clip #3 and into U-support #7. Thread it all the way into U-support #7 until it touches the back of the tube. There should be about 3/8 inch of screw #19 left sticking out. Repeat for U Leg #2 and U-clip #34.

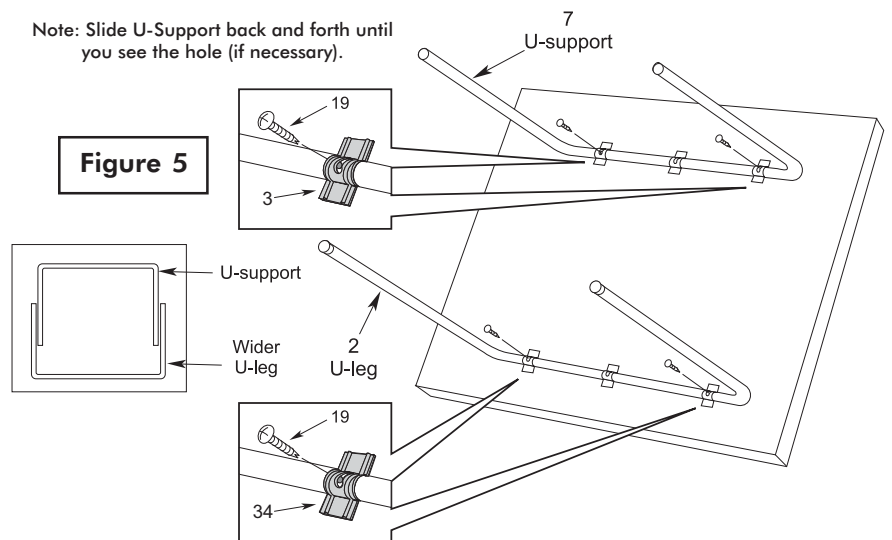


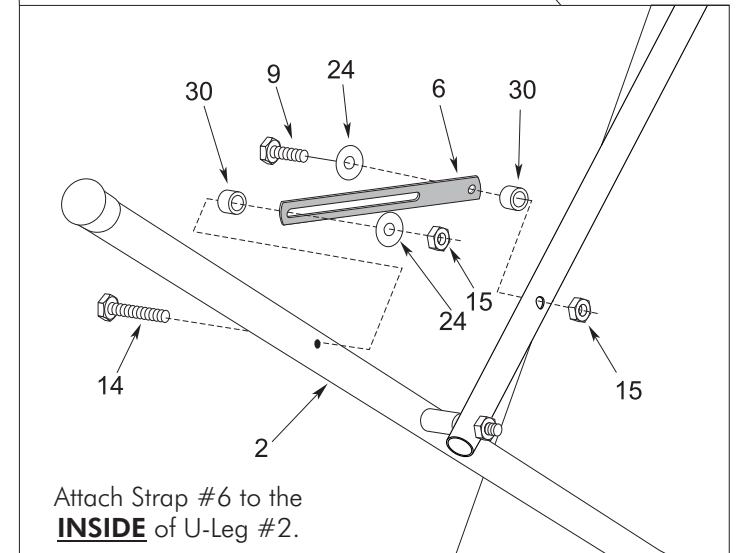
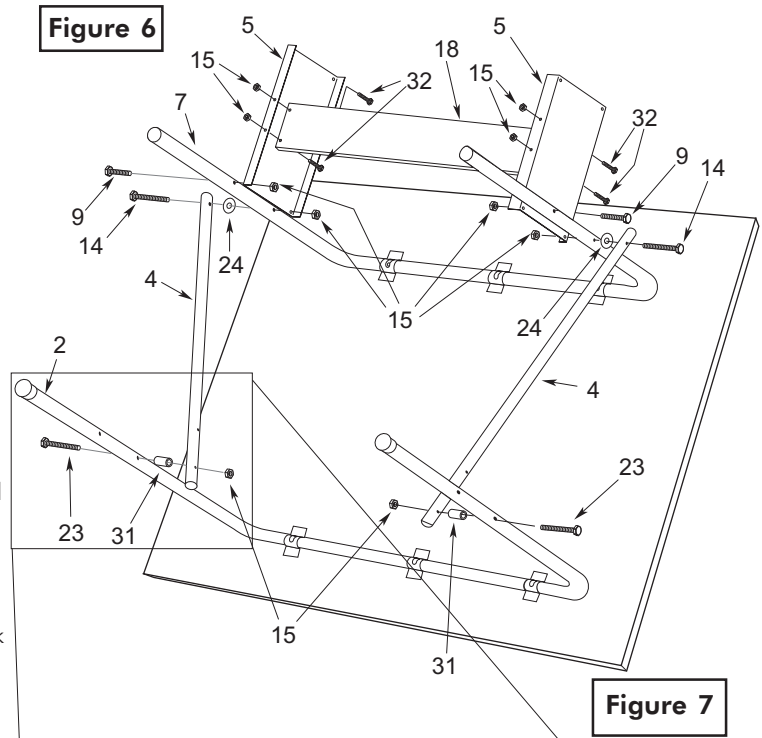
Figure 5

If you want to see a video on how to insert Screw (#19) go to: <http://www.escaladesports.com/customer-service/videos.html>

10. Attach end of linkages #4 with two holes to **INSIDE** of U-leg #2 as shown in Figure 6. Secure through end hole with screws #23, locknuts #15 and plastic spacers #31. Tubes must pivot freely.
11. On one side of the table attach slotted end of safety strap #6 to **INSIDE** of U-Leg #2 using one bolt #14, one spacer #30, one washer #24, and one hex nut #15. Tighten hardware until snug but do not overtighten. Tubes must pivot freely. See Figure 7.
12. Attach other end of safety strap #6 to **OUTSIDE** of linkage #4 using one bolt #9, one washer #24, one spacer #30, and one hex nut #15.

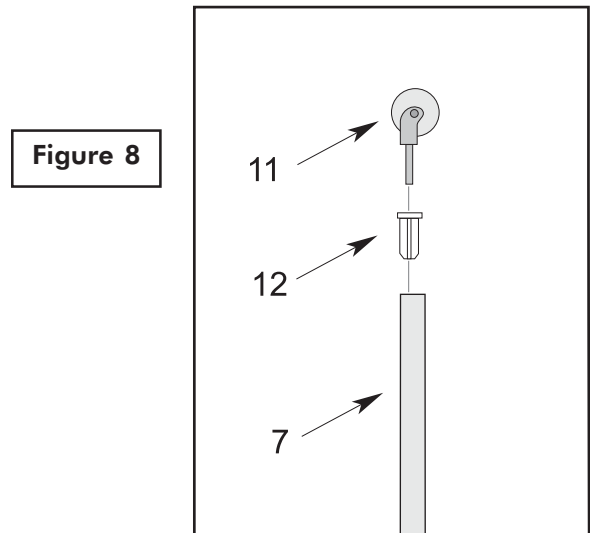
**Important! Do NOT put other safety strap #6 on this table half. It will be installed on other table half later.**

13. Attach other end of linkages #4 to **OUTSIDE** of U-support #7 with bolts #14 and plastic washers #24. Then slide name panel #5 onto the same bolts #14 on the **INSIDE** of U-support #7. Secure with lock nuts #15. Tighten hardware until snug but do not overtighten. Tubes must pivot freely.
14. Attach bottom of name panel #5 to U-supports #7. Secure with hex bolts #9 and locknuts #15. Tighten nuts but be careful not to crush tubes. See Figure 6.
15. Attach bottom board # 18 to name panels #5, as shown in Figure 6, using four bolts #32 and four hex nuts #15.
16. Tap caster sockets #12 into U-support #7 until flange on sockets touches the edge of the tube. **DO NOT HIT CASTER SOCKET DIRECTLY WITH A HAMMER! SET A PIECE OF WOOD ON CASTER SOCKET AND HIT PIECE OF WOOD TO DRIVE CASTER SOCKET INTO U-SUPPORT.**
17. Insert casters #11 into caster sockets #12.



**CAUTION:**  
**AT LEAST TWO ADULTS ARE NEEDED TO MOVE TABLE HALF!**

18. Prepare an area for the assembly of the second table top half. If necessary, move the first table top half aside with the aid of a helper. Be sure to place it in a location where it won't be disturbed or damaged. If setting on its side, be sure to place the bottom edge no less than 12 inches away from the wall. Also be sure to place carpet or pieces of the shipping carton down to protect table top edges. If floor is not carpeted, brace table top half with a heavy object to keep it from sliding.



19. Repeat steps 1 through 12 on second table half.
20. Gently tap caster sockets #12 into U-support #7 on second table half until flange on sockets touches the edge of the tube. **DO NOT HIT CASTER SOCKETS TOO HARD WITH A HAMMER.** Casters could break if hit too hard.
21. Insert casters #11 into caster sockets #12 on second table half.
22. Attach linkages #4 to the OUTSIDE of U-support #7 on second table half. Use screws #14, plastic washers #24 and hex nuts #15.

**NOTE: Tighten locknuts #15 finger tight only. They will be removed when the two table top halves are connected.**



**CAUTION:**  
**AT LEAST TWO ADULTS ARE NEEDED TO COMPLETE THE REMAINDER OF THE ASSEMBLY!**

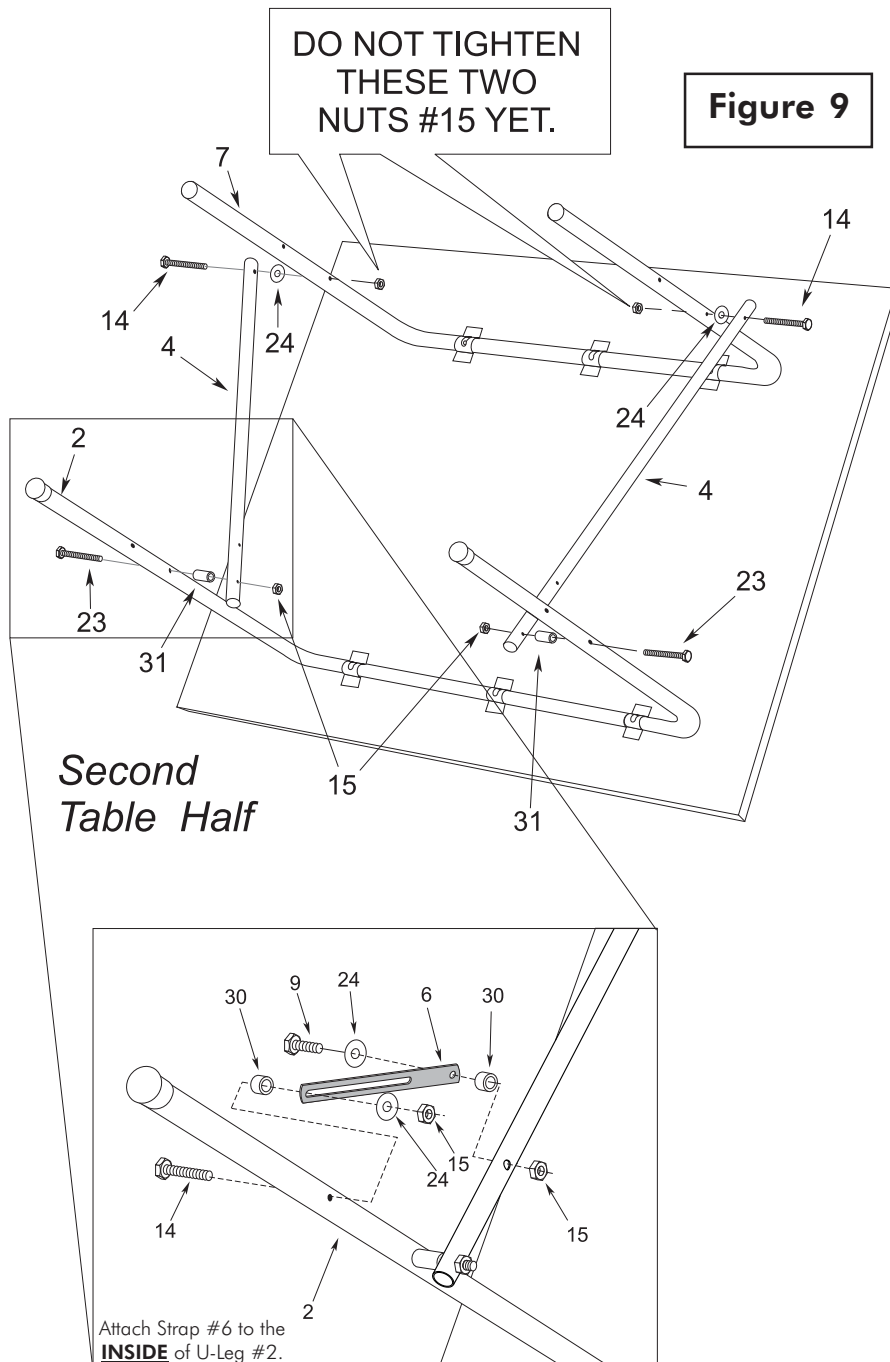
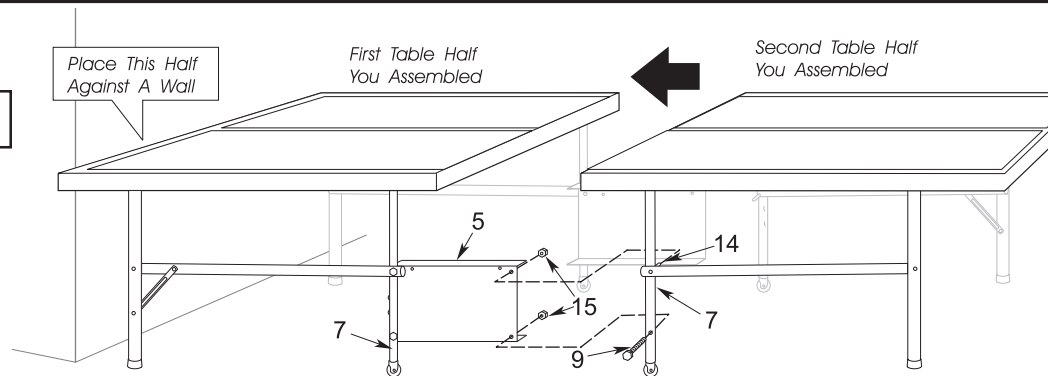


Figure 10



23. Make sure the legs on the first table top half (the half with the name panel #5) are open. With one person on each side of the table, lift and set table half on its legs. Place table against a wall as shown above to help stabilize table top half while second half is being attached. Be sure there is enough room to connect second half.



**CAUTION:**

**BE SURE THE FIRST TABLE HALF YOU ASSEMBLED (WITH NAME PANELS #5 ATTACHED) IS STABLE AND AGAINST A WALL. DO NOT LEAVE TABLE HALF STANDING UNATTENDED.**

24. Place a hex bolt #9 and a locknuts #15 on floor next to caster wheels (on both sides of the table half) so they will be handy for the next step.

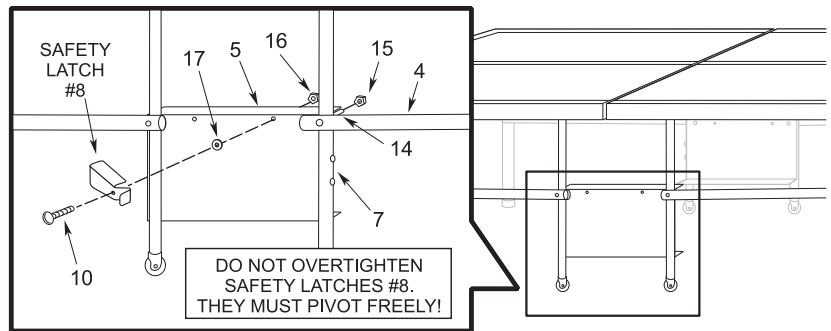
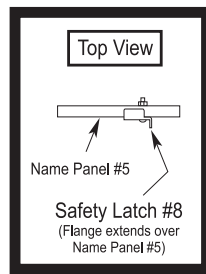


**CAUTION:**

**UNTIL THE TABLE HALVES ARE CONNECTED THEY WILL NOT STAND ON THEIR OWN. IT IS RECOMMENDED TO HAVE THREE PEOPLE TO CONNECT TABLE HALVES. TWO TO STABILIZE TABLE AND ONE TO BOLT TABLE TOGETHER.**

25. With a person on both sides of the second table half, slide the second table half against the first table half. Remove locknuts #15 from screws #14 on second table half where U-support #7 and linkages #4 join. Align holes in name panels #5 (on first table half) with holes in U-supports (on second table half). Secure second table half to top hole in name panel #5 using hex bolt #14 installed earlier and locknuts just removed. Secure second table half to bottom hole in name panel #5 with the two hex bolts #9 and locknuts #15 you placed on the floor earlier. Tighten locknuts snug but do not overtighten. These joints must pivot. At this point go back and tighten hex bolts #9.

Figure 11



**CAUTION:**

**INSTALL SAFETY LATCHES #8 AS SHOWN ABOVE FOR PROPER USE OF TABLE! DO NOT SKIP THIS STEP! DO NOT OPERATE TABLE UNTIL SAFETY LATCHES ARE INSTALLED AND ASSEMBLY IS COMPLETE!**

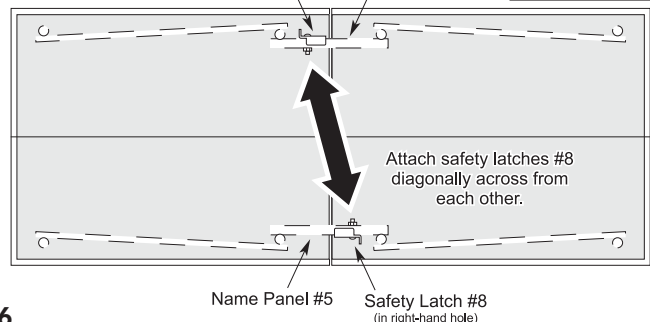
26. Choose a name panel #5 on either side of the table and install one safety latch #8 into the right-hand hole on that name panel as shown in Figures 11 & 12. Use one screw #10 one washer #17 and one hex nut #16. **NOTE: Flange on safety latch must extend over top of name panel as shown in Figure 11. Safety latch must pivot freely.**

27. Go to the other side of the table and install the second safety latch into the right-hand hole on the other name panel #5. **NOTE: Safety latches must be attached diagonally across from each other.** (See Figure 12)

Top View Of Table

Safety Latch #8 (in right-hand hole) Name Panel #5

Figure 12



# OPENING AND CLOSING INSTRUCTIONS

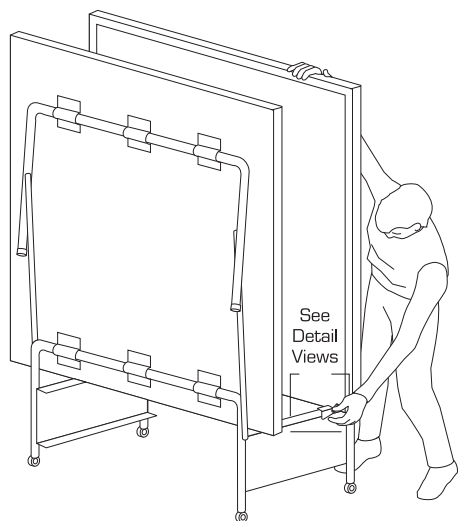


## CAUTION:

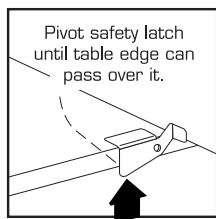
**READ OPERATING INSTRUCTIONS CAREFULLY BEFORE OPERATING TABLE! DO NOT ALLOW CHILDREN TO OPEN TABLE! DO NOT CLIMB, STAND OR JUMP ON TABLE! SERIOUS OR FATAL INJURY MAY RESULT! THIS IS NOT A TOY! TABLE IS TO BE OPENED OR CLOSED BY ADULTS ONLY! FAILURE TO COMPLY WITH OPENING AND CLOSING INSTRUCTIONS COULD RESULT IN PERSONAL INJURY OR PROPERTY DAMAGE.**

### TO OPEN:

1. Pull both legs away from table slightly.
2. Stand behind the table near the safety latch.
3. Hold table half with one hand and pivot safety latch enough to allow the edge of the table half to pass over it.
4. While keeping an eye on the safety latch, pivot table half until it moves past the safety latch. Once edge of table has passed over safety latch, stop pivoting table half.
5. With both hands on the table half, center yourself along the table half and lower the table half to the floor.
6. Repeat for the other table half.



See Detail Views



Pivot safety latch until table edge can pass over it.

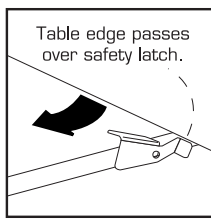
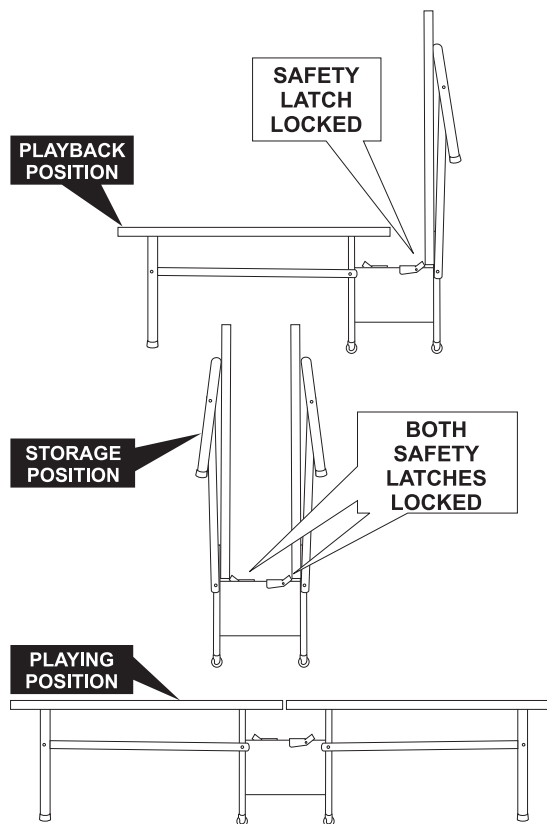


Table edge passes over safety latch.

### TO CLOSE:

1. Lift table half upward and inward to vertical position.
2. Check to be sure that table half is locked in the safety latch.
3. Repeat for the other table half.



## ! CAUTION

**THIS IS A GAME TABLE. DO NOT SIT, STAND, LEAN, WALK OR JUMP ON TABLE! FAILURE TO COMPLY WITH THIS CAUTION COULD RESULT IN PERSONAL INJURY AND/OR PROPERTY DAMAGE!**

## 90 DAY LIMITED WARRANTY

This consumer warranty extends to the original consumer purchase of any ESCALADE® SPORTS Product (hereinafter referred as the "Product").

**WARRANTY DURATION:** This Product is warranted to the original consumer purchase of a period of ninety (90) days from the original purchase.

**WARRANTY COVERAGE:** ESCALADE SPORTS warrants to the original Consumer Purchaser that any Product of its manufacture is free from defects in material and workmanship when used for the intended purpose under normal use and conditions. THIS WARRANTY IS VOID IF THE PRODUCT HAS BEEN DAMAGED BY ACCIDENT, UNREASONABLE USE, NEGLIGENCE, IMPROPER SERVICE, FAILURE TO FOLLOW INSTRUCTIONS PROVIDED WITH THE PRODUCT OR OTHER CAUSES NOT ARISING OUT OF DEFECTS IN MATERIAL AND WORKMANSHIP.

**WARRANTY PERFORMANCE:** During the above ninety (90) day warranty period, ESCALADE SPORTS shall repair or replace with a comparable model, and Product, or component thereof, which may prove defective under normal use and proper care, and which our examination shall disclose to our satisfaction to be thus defective, please contact our Warranty Dept.

1-866-873-3528 / Warranty Dept.

Or Write us at:

Escalade® Sports, Inc. - P.O. Box 889, Evansville, IN 47706 - Attn: Warranty Dept.

Or E-mail us at:

[customerservice@escaladesports.com](mailto:customerservice@escaladesports.com)

Other than shipping requirements no charge will be made for such repair or replacement of in-warranty Products. ESCALADE® SPORTS strongly recommends that the Product is insured for value prior to mailing.

**WARRANTY DISCLAIMERS:** ANY IMPLIED WARRANTIES ARISING OUT OF THIS SALE, INCLUDING BUT NOT LIMITED TO THE IMPLIED WARRANTIES OF MERCHANTABILITY AND FITNESS FOR A PARTICULAR PURPOSE, ARE LIMITED IN DURATION TO THE ABOVE NINETY (90) DAY WARRANTY PERIOD. ESCALADE® SPORTS SHALL NOT BE LIABLE FOR LOSS OF USE OF THE PRODUCT OR OTHER CONSEQUENTIAL OR INCIDENTAL COSTS, EXPENSES OR DAMAGES INCURRED BY THE CONSUMER OF ANY OTHER USE.

Some states do not allow the exclusion or limitation of implied warranties or consequential or incidental damages, so the above limitations or exclusions may not apply to you.

**LEGAL REMEDIES:** This warranty gives you specific legal rights and you may also have other rights which may vary from state to state.

# CARE AND MAINTENANCE

You have purchased a quality product that will give you years of enjoyment. By following these simple maintenance steps, you will add to the life of your new table.

## THE TABLE TOP

The top (playing surface) of your table is made of particle board. Like all products made of wood, it can be affected by atmospheric changes in both temperature and humidity. This may cause a slight sag or distortion as the top expands or contracts. This is normal and should not cause concern as it does not detract from the play or utility value of the table. After assembly of the table, you can minimize the effects of temperature and humidity changes by storing the table in the folded up position in a dry area when table is not in use.

## STORAGE OF YOUR TABLE

This table must be stored indoors to prevent damage to the playing surface. Dampness and extreme temperature changes can cause the wood to warp, swell, crack or blister. When your table is not in use, it should be folded up in a dry area. Due to the nature of particle board, table top may bow. Damp and humid conditions will amplify this. This is normal and will not affect playability of table.

## CLEANING YOUR TABLE

To clean your table use a soft, damp (NOT WET) cloth only. To prevent damage to your table's playing surface, DO NOT USE ANY CHEMICALS, ABRASIVE OR CLEANING PRODUCTS on your table's playing surface.

## MAINTENANCE OF YOUR TABLE

Be sure to oil all moving parts of your table including the pivot points. This will insure the safety and ease of use of your table.





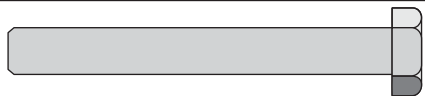
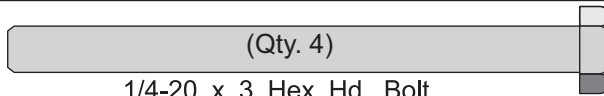
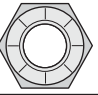


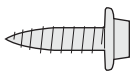


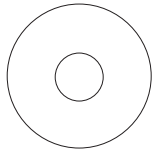
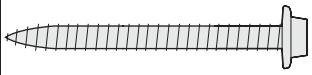
This table must be kept indoors to prevent damage to the playing surface. Dampness and extreme temperature changes which occur on patios or similar areas can cause wood to warp, swell, crack or blister.

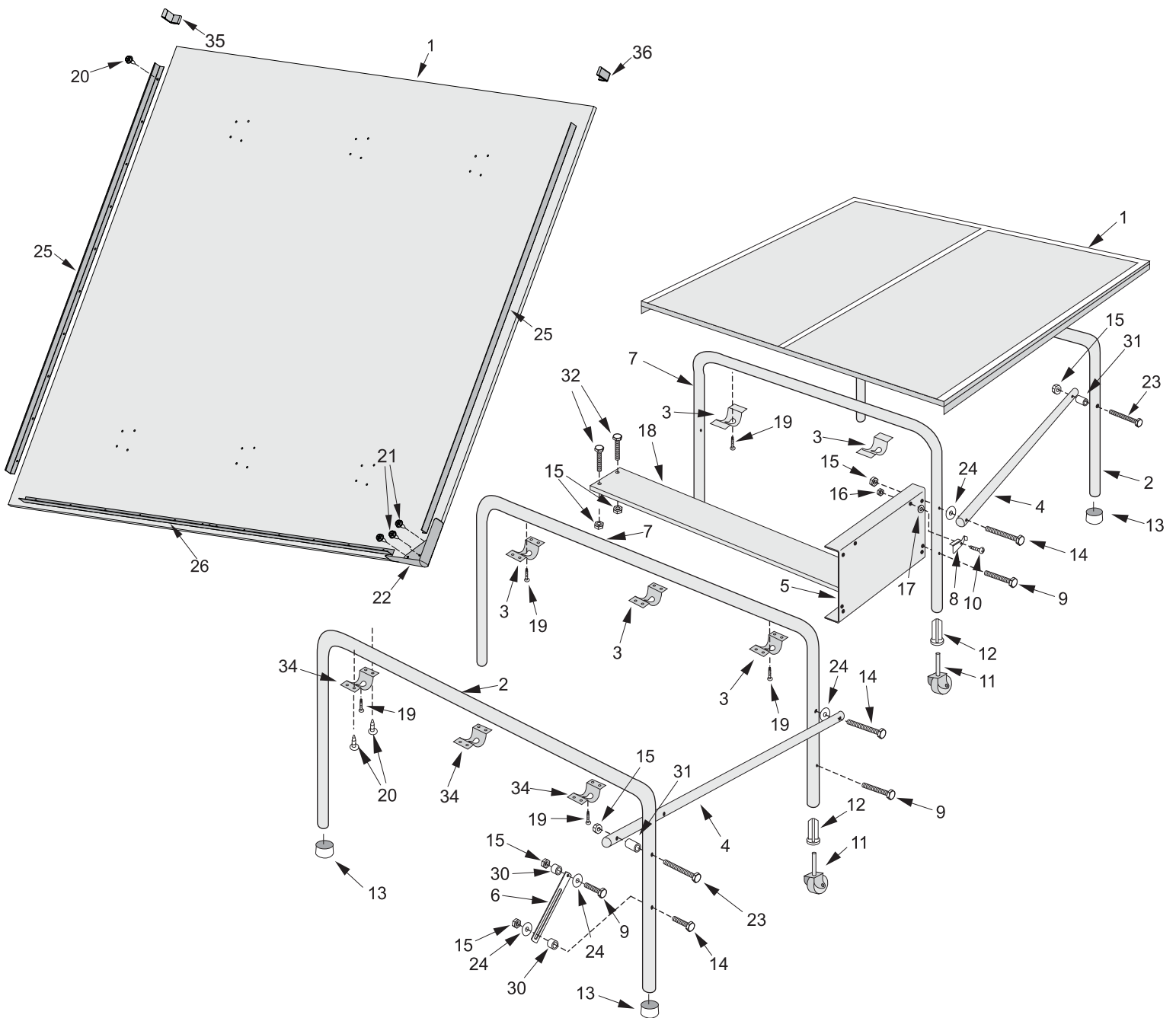
## UNEVEL FLOORS

If table does not seem level, it is probably due to uneven or unlevel floors. Set the table in its PLAYING POSITION and move table several inches in different directions to find the best location for the table. If the floor is extremely unlevel, table may not play or operate properly. If table is high in the center, shim up under the outer U-legs.

# HARDWARE IDENTIFIER

KEY  
NO.

9	1/4-20 x 1-1/2 Hex Hd. Bolt (Qty. 6)		32	1/4-20 x 1-1/4 Hex Hd. Bolt (Qty. 4)	
10	#10-24 x 3/4 Rd. Hd. Screw (Qty. 2)		19	#8-32 x 1-1/4 S.M.S. (Qty. 8)	
14	1/4-20 x 2 Hex Hd. Bolt (Qty. 6)		23	(Qty. 4) 1/4-20 x 3 Hex Hd Bolt	
15	1/4-20 Zinc Locknut (Qty. 20)		16	#10-24 Locknut (Qty. 2)	
17	#10 Flat Washer (Qty. 2)		20	#8 X 7/16 Sheet Metal Screw (Qty. 85)	
30		5/16" Spacer (Qty. 4)	31		3/4" Spacer (Qty. 4)
			24	Plastic Washer (Qty. 8)	
			21	#8 X 1 7/16 Sheet Metal Screw (Qty. 12)	



### PRODUCT PARTS LIST - T8612 & T8612A

Key #	Part#	Description	Qty.	Key #	Part#	Description	Qty.
1	4A-5468-00	Table Top T8612 - 1/2" Black	2	19	1B-4089-00	#8-32 x 1 1/4" Sheet Metal Screw	8
	4A-5468-05	Table Top T8612A - 5/8" Black		20	1B-6451-00	#8 x 7/16 Sheet Metal Screw	85
2	8S-6640-00	U-Leg - 1 1/4" Diameter	2	21	1B-6951-00	#8 x 1 7/16 Hex/Phil Hd. SMS	12
3	2S-6879-01	1" U-Clip	6	22	3M-4149-01	Corner Cap - Yellow	4
4	8S-6605-00	Linkage	4	23	1B-5012-00	1/4-20 x 3" Hex Head Bolt	4
5	2S-6422-17	Name Panel- STIGA	2	24	2B-6087-00	Plastic washer	8
6	2S-6428-01	Safety Strap	2	25	2S-4616-01	1 1/2" Side Rail-Black	4
7	8S-6606-00	U-Support	2	26	2S-4615-01	1 1/2" End Rail-Black	2
8	2S-6264-02	Safety Latch	2	27	5A-6700-00	Net & Posts Kit T8612	1
9	WB-1094-00	1/4-20 x 1 1/2 Hex Head Bolt	6		5A-6700-01	Net & Posts Kit T8612A	
10	1B-4049-01	#10-24 x 3/4 Phillips Round Hd. Screw	2	28	2L-4127-02	Owners Manual - T8612 & T8612A	1
11	2Q-6084-00	2" Caster	4	29		Not Used	
12	3M-6115-00	Caster Socket	4	30	7B-6257-00	5/16" Spacer	4
13	3M-6447-00	Leg Cap	4	31	7B-6256-00	3/4" Spacer	4
14	WB-1110-00	1/4-20 x 2 Hex Head Bolt	6	32	1B-6475-00	1/4-20 X 1-1/4 Hex Head Bolt	4
15	WN-1008-99	1/4-20 Locknut	20	33		Not Used	
16	WB-1007-99	#10-24 Locknut	2	34	2S-6880-01	1 1/4" U-Clip	6
17	2N-0214-99	#10 Flat Washer	2	35	3M-4156-00	1 1/2" Vinyl End Cap (Right Hand)	2
18	2W-6269-02	Wood Bottom Board	1	36	3M-4157-00	1 1/2" Vinyl End Cap (Left Hand)	2



MESA DE TENIS  
NÚMERO DE MODELÓ  
**T8612**  
**T8612A**

## MANUAL DEL USUARIO

1. **Lea este manual cuidadosamente antes de empezar a ensamblar.** Lea completamente cada uno de los pasos antes de empezar cada paso.
2. **Algunas partes pequeñas pueden ser empacadas dentro de las partes grandes. Verifique en el interior de todas las partes y cartones antes de ensamblar o solicitar partes.**
3. **Para que el ensamblado le sea más fácil, utilice la lista de partes de la página 9 para la identificación y clasificación de las partes y sus componentes. Busque los juegos de tornillos en todos los cartones. Todos los tornillos y sus componentes no se encuentren en un sólo juego.**
4. **No ajuste las partes hasta que las instrucciones se lo indiquen.** Si las partes se ajustan antes de lo indicado, es posible que los orificios no queden alineados, resultando que las partes queden fuera de su lugar y fácilmente no coincidan. Deje las tuercas de seguridad levemente flojas hasta que las instrucciones le indiquen ajustarlas.
5. **Herramientas necesarias:** Desarmador Phillips, una llave de 3/8" y dos llaves de 7/16" (Puede utilizar una llave ajustable en vez de llaves).
6. **Guarde estas instrucciones y recibo de pago en el evento que el fabricante deba de ser contactado para partes de remplazo.**

### Por favor no devuelva este producto a la tienda!

Contacte al departamento de servicio al cliente de Escalade® Sports:

Teléfono: 1-866-873-3528      ¡Sin costo alguno!

Fax: 1-866-873-3533      ¡Sin costo alguno!

E-mail: [tabletennis@escaladesports.com](mailto:tabletennis@escaladesports.com)

Apartado postal (sólo para correspondencia):

Escalade Sports

PO Box 889

Evansville, IN 47706

Visite nuestra página Web internacional: [www.escaladesports.com](http://www.escaladesports.com)

SOLUCIÓN DE PROBLEMAS POR INTERNET

ASISTENCIA TÉCNICA

PEDIDO DE PARTES POR INTERNET

PREGUNTAS FRECUENTES

MÁS INFORMACIÓN SOBRE PRODUCTOS DE ESCALADE® SPORTS

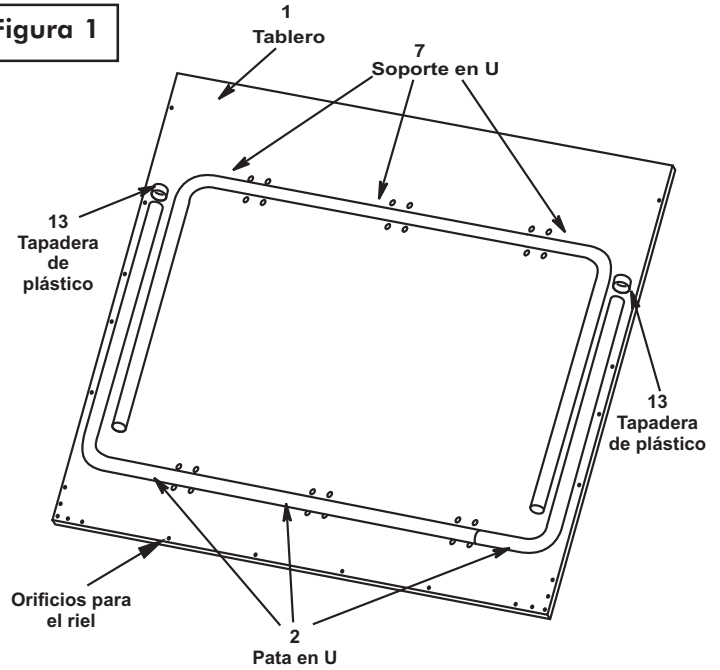
**ESCALADE**®  
SPORTS

2L-4127-02

Para identificar los tornillos etc. Vea la lista de las partes en la página 9.

1. Coloque el tablero #1 sobre una superficie plana y lisa con el lado pintado hacia abajo. Use la caja en donde venia la mesa para proteger la pintura de la superficie de la mesa.
2. Alinee los Soporte en U (#7) y las Patas en U (#2) como está mostrado en la figura 1. **Nota: La pata en "U" es más grande y más ancha que el soporte en "U". La pata en "U" deberá ser instalada del lado extremo de la mitad de la mesa y del lado del los orificios del riel.**
3. Ponga las Tapaderas de plástico #13 en la parte de abajo de las patas en "U" #2.

Figura 1



**ADVERTENCIA:**

CUANDO ENSAMBLE LA MESA, ES EXTREMADAMENTE IMPORTANTE QUE TODAS LAS ABRAZADERAS EN "U" #3 & #34 ESTÉN PUESTAS COMO ESTÁN MOSTRADAS EN LA FIGURA DE ABAJO. SI LAS ABRAZADERAS EN "U" ESTÁN COLOCADAS INCORRECTAMENTE, USTED LE OCASIONARA DAÑOS IRREPARABLES A SU MESA CUANDO TRATE DE ABRIRLA EN LA POSICIÓN DE JUEGO.

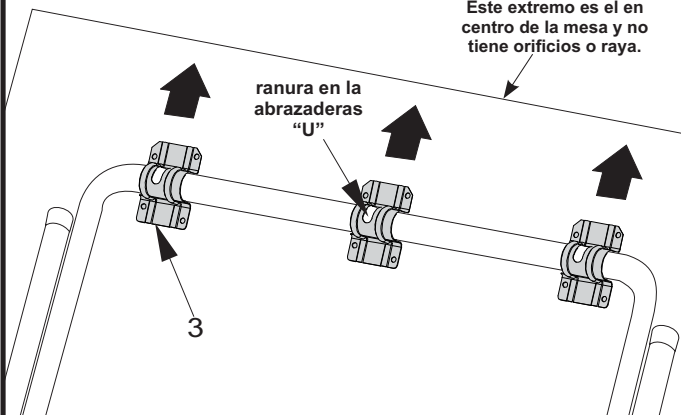
Si desea ver un video de como poner la abrazadera en "U" vaya a: <http://www.escaladesports.com/customer-service/videos.html>

4. Alinee los orificios de las abrazaderas grandes en "U" #34 y las abrazaderas en "U" #3 con los orificios que están de guía ensamblados en el tablero y atornillelos con los veinticuatro tornillos #20 como están mostrados. Los cuatro orificios en cada abrazadera en U deben de estar alineados con los cuatro orificios en el Tablero.

**IMPORTANTE:**

Esté seguro que la ranura de todas las tres abrazaderas "U" #3 y las tres abrazaderas #34 estén de frente en la misma dirección (hacia la mitad de la mesa con el tubo de soporte en "U" ) como está mostrado.

Este extremo es el en centro de la mesa y no tiene orificios o raya.



Este extremo es el en centro de la mesa y no tiene orificios o raya.

Todos los tornillos mostrados son los (#20) Tornillos para lamina de metal

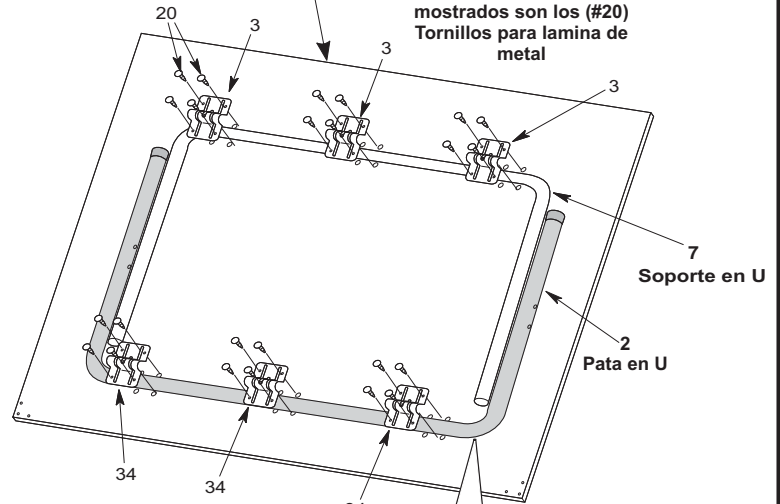


Figura 2

**IMPORTANTE:** La Pata en U es más ancha que el Soporte en U. Esté seguro de que éstos estén ensamblados exactamente como están mostrados. De lo contrario quedará un espacio grande entre las dos mitades de la mesa y la mesa no operará apropiadamente.

Todos los tornillos mostrados son los (#20) Tornillos para lamina de metal

Este extremo es el centro de la mesa

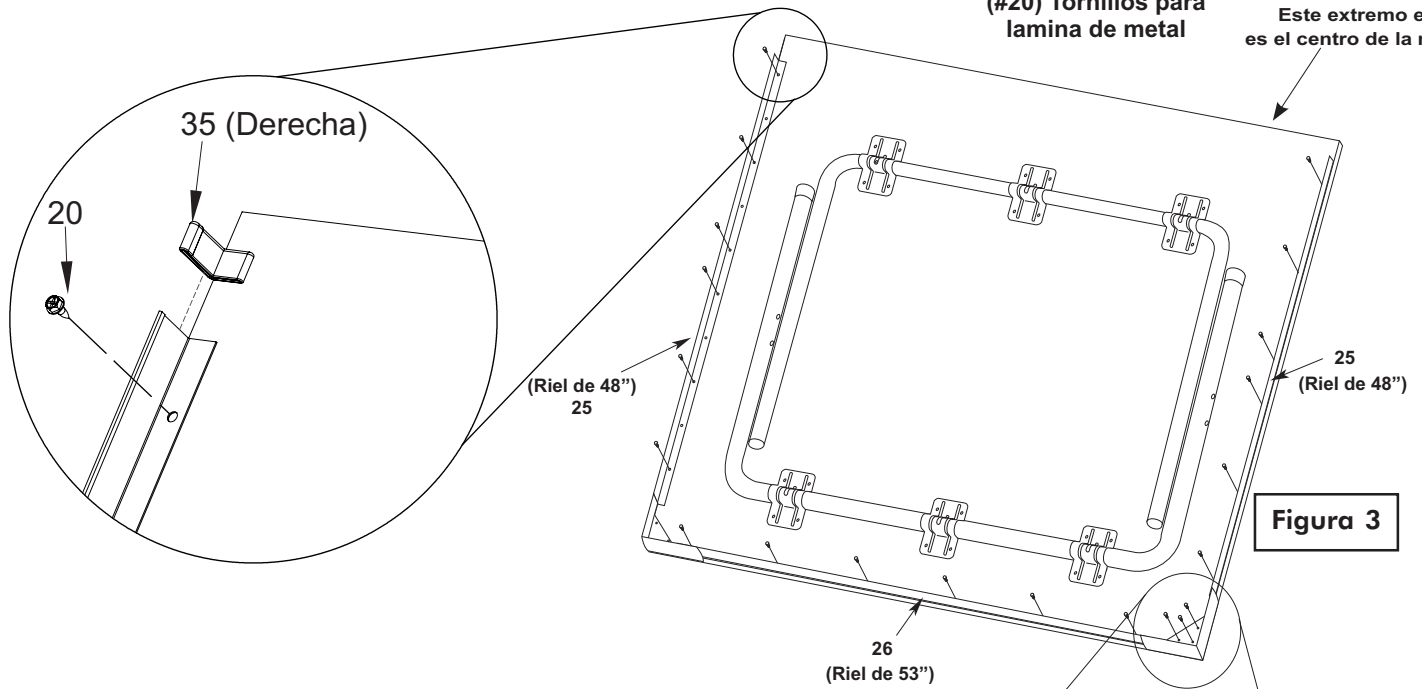


Figura 3

- 5a. Coloque los rieles #25 y #26, alrededor de los bordes del tablero, como están mostrados en la figura 3.
- 5b. Deslice las Tapas de Riel (de mano izquierda #36 y derecha #35) en el extremo de cada Riel #25 como esta mostrado.
6. Alinee los orificios de los rieles con los orificios de guía del tablero, atornillelos y asegúrelos con los dieciocho tornillos #20. Ver figura 3.
7. Coloque los Protectores de Esquina #22 al tablero como están mostrados en la figura 4. Si el protector de la esquina sobresale de la superficie del tablero, volteeó así que la parte más corta esté en contra del borde. Atornillelos y asegúrelos por la parte de abajo de la mesa con los tornillos #21. **NO** sobre apriete los tornillos.

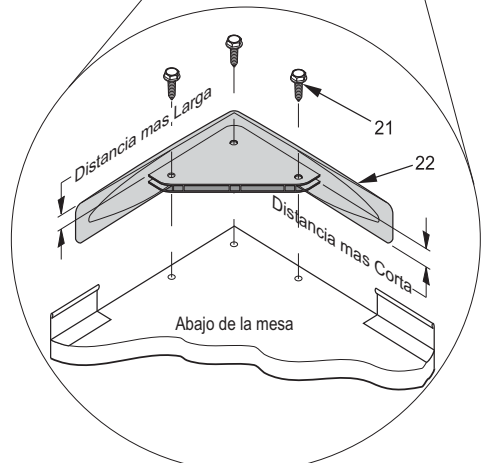
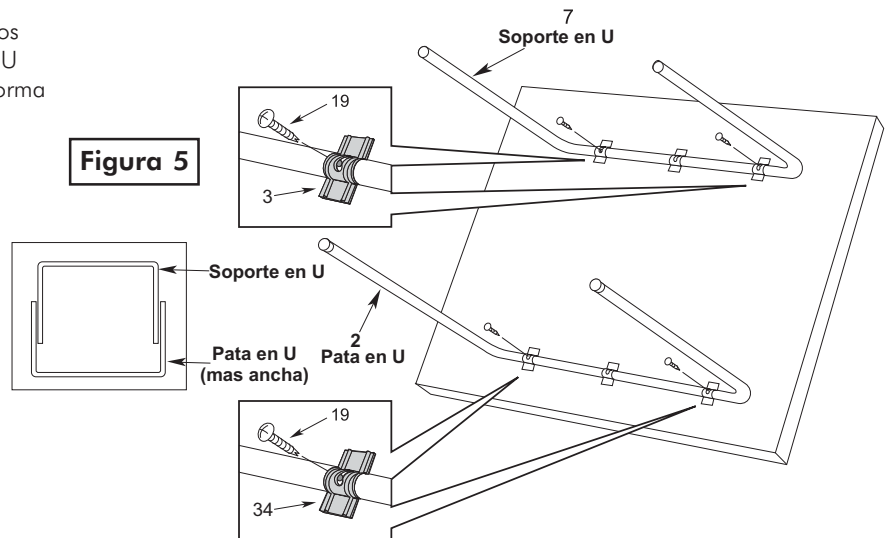


Figura 4

Note: Si es necesario deslice el Soporte en U hacia adelante y hacia atrás hasta que vea el orificio.

8. Rote el soporte en forma de U #7 hasta que se vean los orificios a través de las ranuras de las abrazaderas en U #3 donde irán los tornillos. Descienda el soporte en forma de U #7 de lado a lado para ver los orificios, si es necesario, ver **Figura 5**.

Figura 5



**Nota:** Para facilitar el ensamblado se puede utilizar un taladro inalámbrico y una broca Phillips **únicamente para el paso 9**. Use anteojos de seguridad.

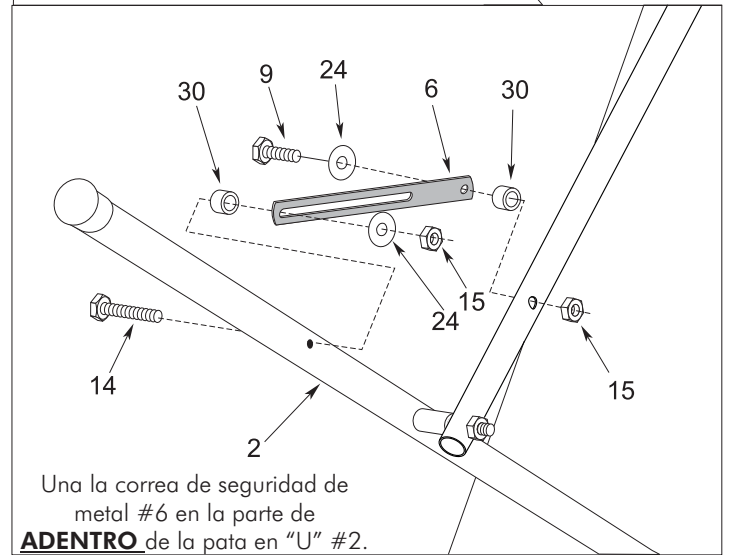
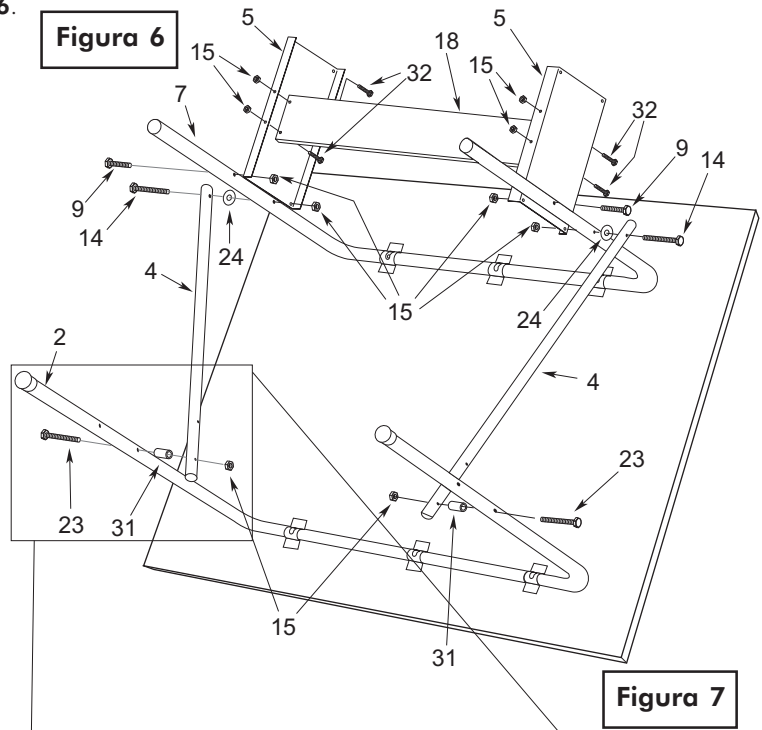
9. Inserte el tornillo # 19 a través de las ranuras de la abrazadera en forma de U #3 y dentro del soporte en forma de U #7. Atornillándolo al soporte en U hasta que toque el fondo del tubo. El tornillo # 19 debe sobresalir acerca de  $\frac{3}{8}$  de pulgada. Repita lo mismo para la pata en "U" #2 y las abrazaderas en U # 34.

Si desea ver un vídeo de como insertar el Tornillo (#19) vaya a:  
<http://www.escaladesports.com/customer-service/videos.html>

10. Una los extremos de los Tubos Conectores #4 con los dos orificios de **ADENTRO** de la pata en U #2 como están mostrados en la **Figura 6**. Atornillelos hasta el final del orificio con los tornillos # 23, las tuercas de seguridad #15 los separadores de plástico #31 Asegurándose que las tuercas y tornillos estén lo suficientemente apretadas y seguras para mantener la mesa estable pero no los sobre apriete. Los tubos deben girar libremente.
11. En un lado de la mesa una el extremo con la ranura de la correa de seguridad de metal #6 por **DENTRO** de la pata en U #2. usando uno de los tornillos # 14, un separador #30, una rondana #24, y una tuerca hexagonal #15. Asegurándose que las tuercas estén apretadas y seguras. Pero no los sobre apriete. Los tubos deben girar libremente. Ver **Figura 7**.
12. Una el otro extremo de la correa de seguridad de metal #6 a la parte de **AFUERA** del Tubo Conector #4 usando uno de los tornillos # 9, una rondana #24, un separador #30, y una tuerca hexagonal #15.

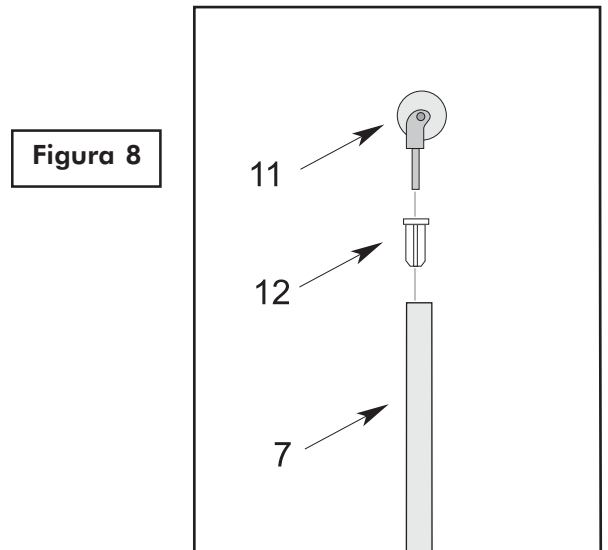
**Importante: NO coloque la otra correa #6 en esta mitad de la mesa. Esta sera instalada en la otra mitad de la mesa después.**

13. Una el otro extremo del Tubo Conector #4 a la parte de **AFUERA** del soporte en forma de U #7 con los tornillos # 14 y las rondanas de plástico #24, luego deslice la Placa #5 sobre los mismos tornillos # 14 por la parte de **ADENTRO** del soporte en forma de U #7. Asegúrelos con las tuercas de seguridad #15. Asegurándose que las tuercas estén apretadas y seguras. Pero no las sobre apriete. Los tubos deben girar libremente.
14. Una la parte de abajo de la placa #5 a los soportes en forma de U #7. Atornillando los tornillos hexagonales # 9, y las tuercas de seguridad # 15. Apriete las tuercas, pero esté seguro de no doblar los tubos. Ver **Figura 6**.
15. Una la Tabla Inferior #18 a las Placas #5, como esta mostrado en la **Figura 6**, Use cuatro Tornillos #32 y cuatro Tuercas de Seguridad #15.
16. Inserte cuidadosamente casquillo de la llanta #12 dentro del soporte en forma de U #7 hasta que el borde del casquillo toque el borde del tubo. **NO GOLPEE EL CASQUILLO DIRECTAMENTE CON EL MARTILLO! COLOQUE UN PEDAZO DE MADERA SOBRE EL CASQUILLO Y GOLPE SOBRE EL PEDAZO DE MADERA PARA INSERTAR EL CASQUILLO ADENTRO DEL SOPORTE EN FORMA DE U.**
17. Inserte las llantas #11 adentro del casquillo #12.



**⚠ ADVERTENCIA:**  
**¡POR LO MENOS SE REQUIERE DE DOS (2) ADULTOS PARA MOVER LA MITAD DE LA MESA!**

18. Prepare una área para el ensamblado de la Segunda mitad de la mesa. Si es necesario mueva el primer tablero a un lado con la ayuda de otra persona. Asegúrese de ponerlo en una lugar donde no estorbe y no se dañe. Y si se coloca de lado, asegurese de poner el borde inferior a no menos de 12 pulgadas de distancia de la pared. También esté seguro de poner un pedazo de alfombra o una colchoneta abajo de los bordes de la mesa para protegerlos. Si el piso no esta alfombrado ponga un objeto pesado sosteniendo la mesa para que no se resbale.



19. Repita los pasos del 1 al 12 en la segunda mitad de la mesa.
20. Inserte cuidadosamente el casquillo de la llanta #12 dentro soporte en forma de U #7 en la Segunda mitad hasta que el borde del casquillo toque el borde del tubo. **NO GOLPEE EL CASQUILLO DIRECTAMENTE CON EL MARTILLO! PONGA UN PEDAZO DE MADERA SOBRE EL CASQUILLO Y GOLPE SOBRE EL PEDAZO DE MADERA PARA INSERTAR EL CASQUILLO ADENTRO DEL SOPORTE EN FORMA DE U.**
21. Inserte las llantas #11 adentro del casquillo #12 en la segunda mitad de la mesa.
22. Una el otro extremo del Tubo Conector #4 a la parte de afuera del soporte en forma de U #7 a la Segunda mitad de la mesa con los tornillos #14, las rondanas de plástico #24 y las tuercas hexagonal #15.



**ADVERTENCIA:**

**¡POR LO MENOS SE REQUIERE DE DOS (2) ADULTOS PARA MOVER LA MITAD DE LA MESA!**

**NOTA:** Apriete las tuercas de seguridad #15 con la mano nadamas. Serán removidas cuando las dos lados de las mesas esten unidas.

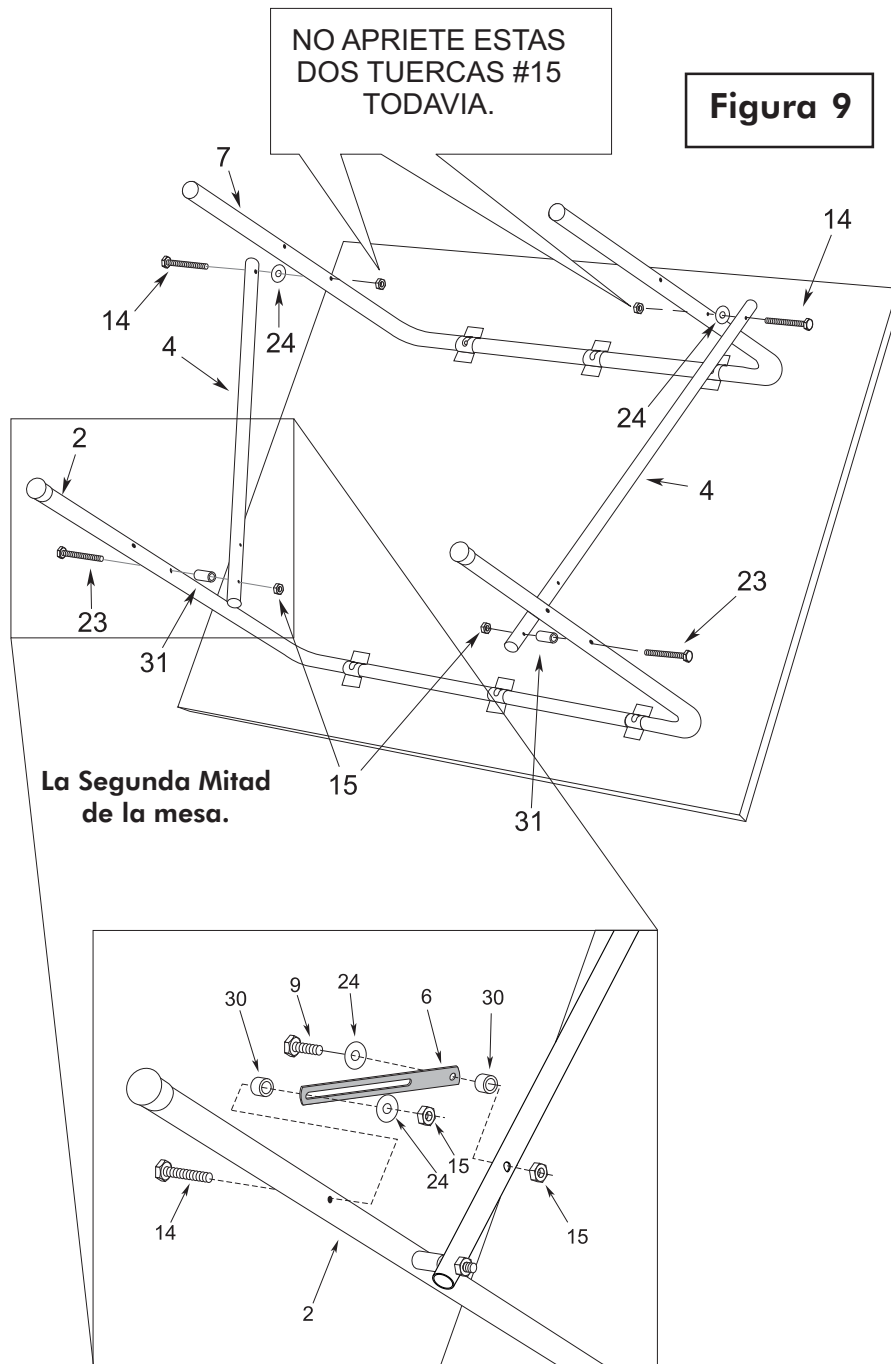
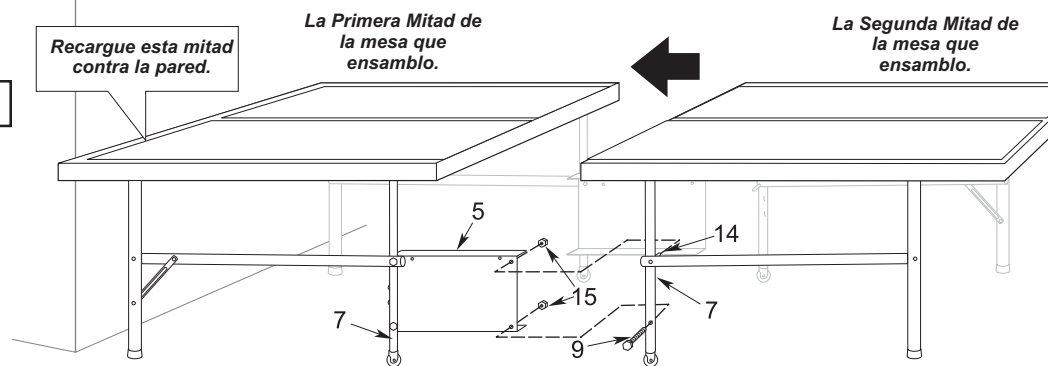


Figura 10



23. Esté seguro que las patas de la primera mitad de la mesa (la mitad con la placa #5) estén abiertas. Con una persona en cada lado de la mesa, levante y ponga la mitad de la mesa sobre sus propias patas. Coloque la mesa contra la pared como está mostrado arriba, para ayudar a estabilizar la mitad de la mesa mientras que la Segunda mitad esta siendo colocada. Asegúrese que haya suficiente espacio para colocar la segunda mitad de la mesa.



**ADVERTENCIA:** ESTÉ SEGURO QUE LA PRIMERA MITAD DE LA MESA QUE USTED ENSAMBLÓ (CON LAS PLACAS #5) ESTÉ ESTABLE Y CONTRA LA PARED. NO DEJE LA MITAD DE LA MESA DESATENDIDA.

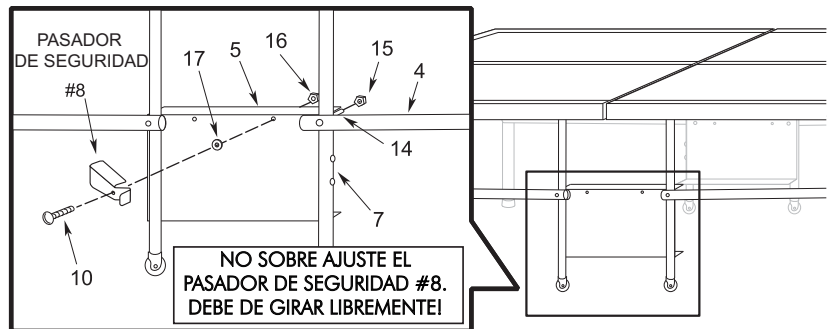
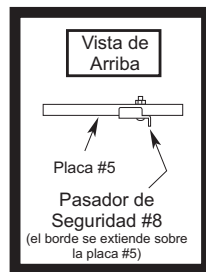
24. Inserte el tornillo hexagonal # 9 y las tuercas de seguridad # 15 sobre el piso a un lado de las llantas (en ambos lados de la mitad de la mesa) así las tendrá a la mano para el próximo paso.



**ADVERTENCIA:** HASTA QUE LAS DOS MITADES DE LA MESA ESTÉN UNIDAS NO PUEDEN ESTAR PARADAS SOLAS. SE RECOMIENDA QUE TRES (3) PERSONAS PARA UNIR LAS DOS MITADES DE LA MESA. DOS PERSONAS PARA SOSTENER LA MESA Y UNA PERSONA PARA ATORNILLAR LOS TORNILLOS A LA MESA.

25. Con una persona en cada uno de los lados de la Segunda mitad de la mesa, deslice la Segunda mitad o tablero contra de la primera mitad. Remueva las tuercas de seguridad # 15 de los tornillos # 14 de la Segunda mitad donde el soporte en forma de U #7 y los Tubos Conectores #4 se unen. Alinee los orificios de la Placa #5 los tornillos hexagonal # 14 que fueron instalados anteriormente y las tuercas de seguridad que removi6. Asegure la Segunda mitad de la mesa con el orificio de abajo de la Placa #5 con los dos tornillos hexagonales # 9 y las tuercas de seguridad # 15 que usted puso en el piso con anterioridad. Asegurándose que las tuercas estén apretadas y seguras. Pero no las sobre apriete. Estas uniones deben moverse. Hasta este punto regrese y apriete los tornillos hexagonales # 9.

Figura 11



**ADVERTENCIA:** INSTALE LOS PASADORES DE SEGURIDAD #8 COMO SE MUESTRA ARRIBA PARA EL USO APROPIADO DE LA MESA! NO OMITA ESTE PASO! NO USE LA MESA HASTA QUE LOS PASADORES DE SEGURIDAD ESTÉN INSTALADOS Y HASTA QUE HAYA TERMINADO DE ENSAMBLAR LA MESA.

23. Escoja la Placa #5 en cualquiera de los lados de la mesa instale el Pasador de seguridad #8 dentro del lado derecho del orificio sobre la Placa como está mostrado en las Figuras 11 y 12. Use uno de los tornillos #10, una rondana #17 y una tuerca hexagonal #16. **NOTA: el borde del pasador de seguridad debe ir extendido sobre de la placa como está mostrada en Figura 11. el pasador de seguridad debe moverse libremente.**

24. Vaya al otro lado de la mesa e instale el segundo Pasador de seguridad #8 dentro del lado derecho del orificio sobre la Placa #5. **NOTA: Los Pasadores de seguridad deben ir unidos diagonalmente cruzados de cada uno. (Ver Figura 12)**

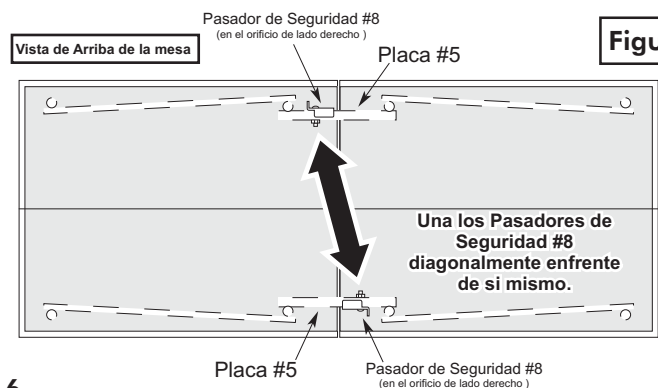


Figura 12

# INSTRUCCIONES PARA ABRIR Y CERRAR LA MESA

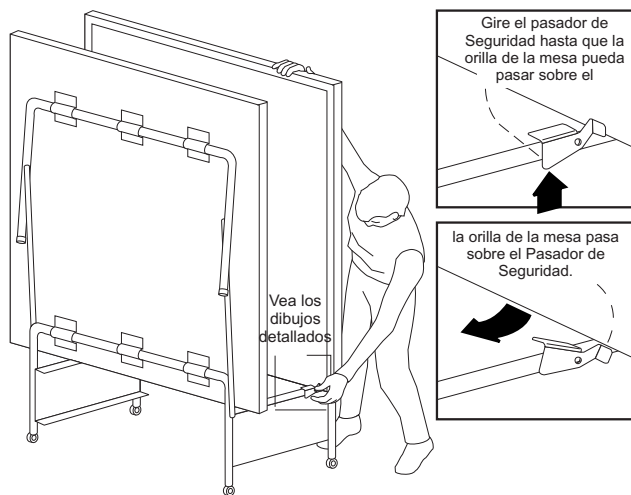


## ADVERTENCIA!

¡LEA LAS INSTRUCCIONES DE MANEJO ANTES DE MOVER LA MESA! ¡NO PERMITA QUE NIÑOS ABran LA MESA! NO DEBEN DE PARARSE, SUBIRSE O BRINCAR SOBRE LA MESA. PUEDEN OCURRIR LESIONES GRAVES O MORTALES. ¡ESTA MESA NO ES UN JUGUETE! ¡ÚNICAMENTE LOS ADULTOS DEBEN ABRIR O CERRAR LA MESA. NO CUMPLIR CON LAS INSTRUCCIONES PARA ABRIR Y CERRAR LA MESA PUEDE RESULTAR EN LESIONES PERSONALES O DAÑOS MATERIALES.

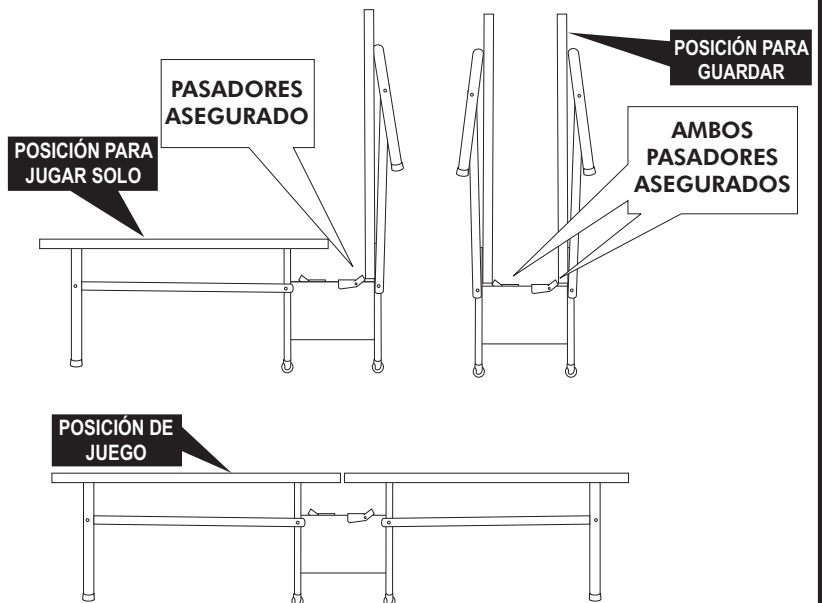
### PARA ABRIR:

1. Jale cuidadosamente ambas patas de la mesa
2. Párese detrás de la mesa cerca de el pasador de seguridad.
3. detenga la mitad de la mesa con una mano y gire el pasador de seguridad lo suficientemente para permitir que pase sobre la orilla de la mitad de la mesa.
4. Mientras cuida el pasador de seguridad, gire la mitad de la mesa hasta que se mueva y pase el pasador de seguridad. Una vez que ha pasado sobre el pasador de seguridad, pare de girar la mitad de la mesa.
5. Con ambas manos sobre la mitad de la mesa. Desde el centro de la mitad de la mesa baje la mitad de la mesa a el piso.
6. Repita los mismos pasos para la otra mitad de la mesa.



### PARA CERRAR:

1. Levante la mitad de la mesa hacia arriba y hacia el interior y adentro hasta la posición vertical.
2. Asegúrese que la mitad de la mesa esté asegurada con el pasador de seguridad.
3. Repita los mismos pasos para la otra mitad de la mesa.



## PRECAUCIÓN

ESTA ES UNA MESA DE JUEGO. NO DEBEN DE PARARSE, SUBIRSE O BRINCAR SOBRE LA MESA. DE NO CUMPLIR CON LAS INSTRUCCIONES PARA ABRIR Y CERRAR LA MESA PUEDE RESULTAR EN LESIONES PERSONALES O DAÑOS MATERIALES.

## **GARANTÍA LIMITADA POR 90 DÍAS**

Esta garantía es aplicable para consumidores de la compra original de cualquier producto ESCALADE® SPORTS (en adelante denominado el "Producto").

**DURACIÓN DE LA GARANTÍA:** Se garantiza este Producto al comprador original por un período de (90) días a partir de la fecha de compra.

**COBERTURA DE LA GARANTÍA:** ESCALADE SPORTS le garantiza al comprador original que cualquier producto de su fabricación está libre de defectos en los materiales y fabricación cuando se lo utiliza para el propósito establecido, bajo condiciones normales de uso. ESTA GARANTÍA NO TIENE VALIDEZ SI EL PRODUCTO SE HA DETERIORADO POR ACCIDENTE, USO INDEBIDO, NEGLIGENCIA, MANTENIMIENTO INCORRECTO, NO SEGUIR LAS INSTRUCCIONES QUE VIENEN CON EL PRODUCTO U OTRAS CAUSAS NO RELACIONADAS CON DEFECTOS EN LOS MATERIALES O FABRICACIÓN.

**APLICACIÓN DE LA GARANTÍA:** Durante el período de garantía de (90) días, ESCALADE SPORTS reparará o reemplazará con otro similar, todo modelo o Producto o componente que resulte defectuoso bajo condiciones normales de uso y cuidado, cuando nuestra inspección demuestre que a nuestra satisfacción el mismo realmente es defectuoso; sírvase contactar a nuestro Departamento de Garantía.

1-866-873-3528 / Departamento de Garantía (Warranty Dept.)

○ escribanos a:

Escalade® Sports, Inc. - P.O. Box 889, Evansville, IN 47706 - Attn: Warranty Dept.

○ por correo electrónico a:

tabletennis@escaladesports.com

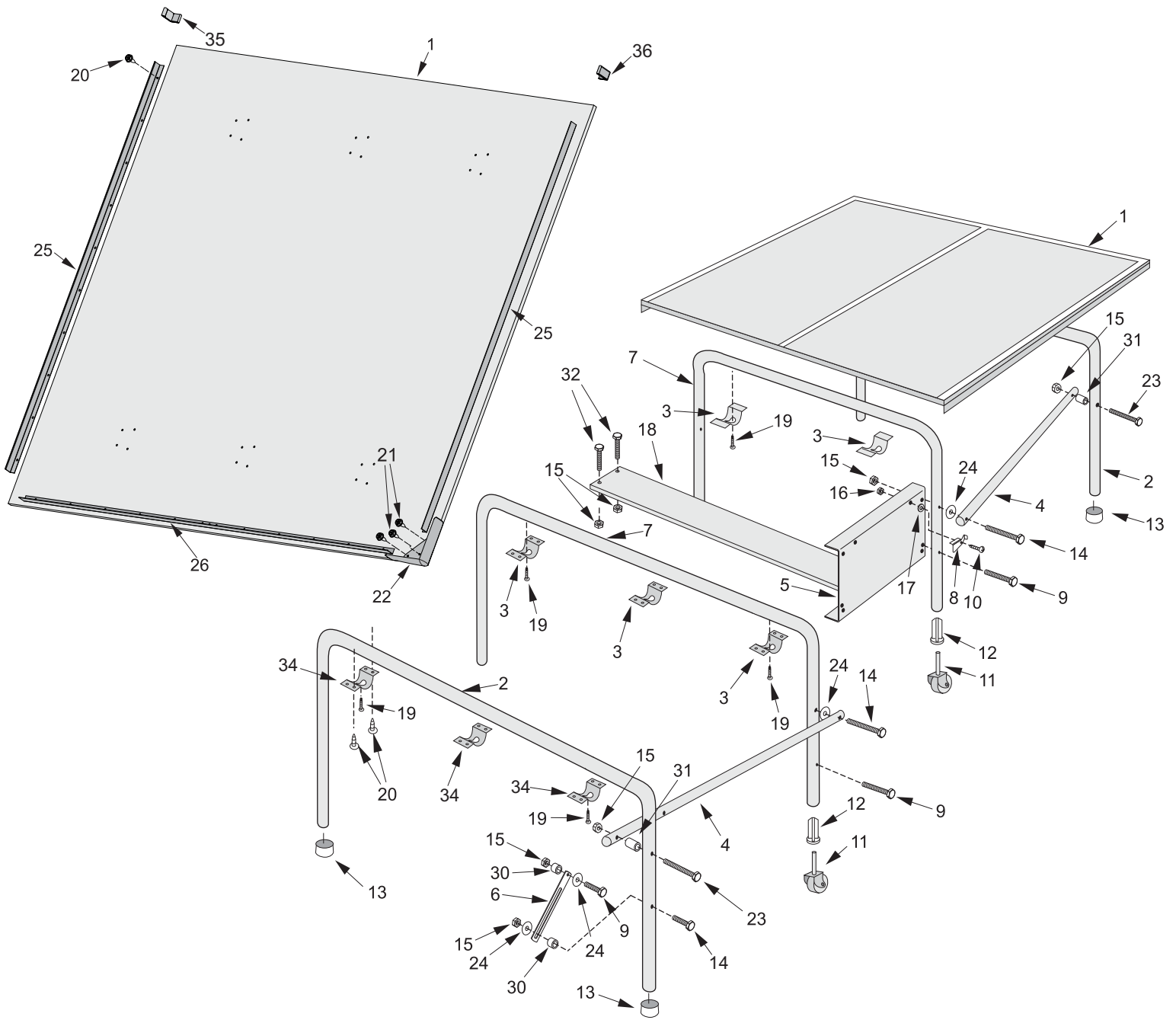
Fuera de los gastos de envío, no se impondrá cargo alguno por la reparación o reemplazo de los productos en garantía. ESCALADE® SPORTS recomienda asegurar los Productos por su valor antes del envío.

**LIMITACIÓN DE LA GARANTÍA:** TODA GARANTÍA ORIGINADA EN ESTA VENTA, INCLUYENDO EN FORMA NO TAXATIVA, LAS GARANTÍAS IMPLÍCITAS DE COMERCIALIZACIÓN Y APTITUD PARA UN FIN ESPECÍFICO, TENDRÁ VIGENCIA POR UN PLAZO DE (90) DÍAS. ESCALADE® SPORTS NO SERÁ RESPONSABLE POR LA PÉRDIDA DE USO DEL PRODUCTO U OTROS COSTOS INCIDENTALES O RELACIONADOS, PERJUICIOS O PERDIDAS GENERADAS POR EL CONSUMIDOR ANTE CUALQUIER OTRO USO.

Algunos estados no permiten la exclusión o limitación de las garantías implícitas o daños incidentales o conexos, de modo que las limitaciones que anteceden pueden no ser aplicables en su caso.

**RECURSOS LEGALES:** Esta garantía le otorga algunos derechos específicos además de otros derechos que varían según el estado.





### LISTA DE PARTES REEMPLAZABLES - T8612 y T8612A

# de Ref.	# de Parte	Descripción	Cant.	# de Ref.	# de Parte	Descripción	Cant.
1	4A-5468-00	Tablero Negro de 1/2" (T8612)	2	19	1B-4089-00	#8-32 x 1 1/4" Tornillo para lamina de metal	8
	4A-5468-05	Tablero Negro de 5/8" (T8612A)		20	1B-6451-00	#8 x 7/16 Tornillo para lamina de metal	85
2	8S-6640-00	Pata en U de 1 1/4"	2	21	1B-6951-00	#8 x 1 7/16 Tornillo SMS de Cabeza Hexagonal	12
3	2S-6879-01	Abrazadera en U -1"	6	22	3M-4149-01	Protector de Esquinas - Amarillo	4
4	8S-6605-00	Tubo Conector	4	23	1B-5012-00	1/4-20 x 3" Tornillo de Cabeza Hexagonal	4
5	2S-6422-17	Placa- STIGA	2	24	2B-6087-00	Rondana de plástico	8
6	2S-6428-01	Tira de metal de Seguridad	2	25	2S-4616-01	1 1/2" Riel Lateral - Negro	4
7	8S-6606-00	Tubo de Soporte en U	2	26	2S-4615-01	1 1/2" Riel del Extremo - Negro	2
8	2S-6264-02	Pasador de Seguridad	2	27	5A-6700-00	Red y Postes (T8612)	1
9	WB-1094-00	1/4-20 x 1 1/2 Tornillo de Cabeza Hexagonal	6		5A-6700-01	Red y Postes (T8612A)	
10	1B-4049-01	#10-24 x 3/4 Tornillo de Cabeza Phillips	2	28	2L-4127-02	Manual del Usuario - T8612	1
11	2Q-6084-00	Llanta - 2"	4	29		NO USADO	
12	3M-6115-00	Casquillo para Llanta	4	30	7B-6257-00	5/16" Separador	4
13	3M-6447-00	Tapadera de plástico	4	31	7B-6256-00	3/4" Separador	4
14	WB-1110-00	1/4-20 x 2 Tornillo de Cabeza Hexagonal	6	32	1B-6475-00	1/4-20 X 1 1/4" Tornillo Hexagonal	4
15	WN-1008-99	1/4-20 Tuerca de Seguridad	20	33		NO USADO	
16	WB-1007-99	#10-24 Tuerca de Seguridad	2	34	2S-6880-01	Abrazadera en U -1 1/4	6
17	2N-0214-99	#10 Rondana	2	35	3M-4156-00	1 /12" Tapa del Riel (Mano Derecha)	2
18	2W-6269-02	Tabla Inferior	1	36	3M-4157-00	1 /12" Tapa del Riel (Mano Izquierda)	2