

TRACE PENDANT

ASSEMBLY INSTRUCTIONS

ELECTRICITY IS DANGEROUS. WE RECOMMEND HIRING A PROFESSIONAL ELECTRICIAN TO INSTALL YOUR LAMP.

KEEP IT CLASSY



Care

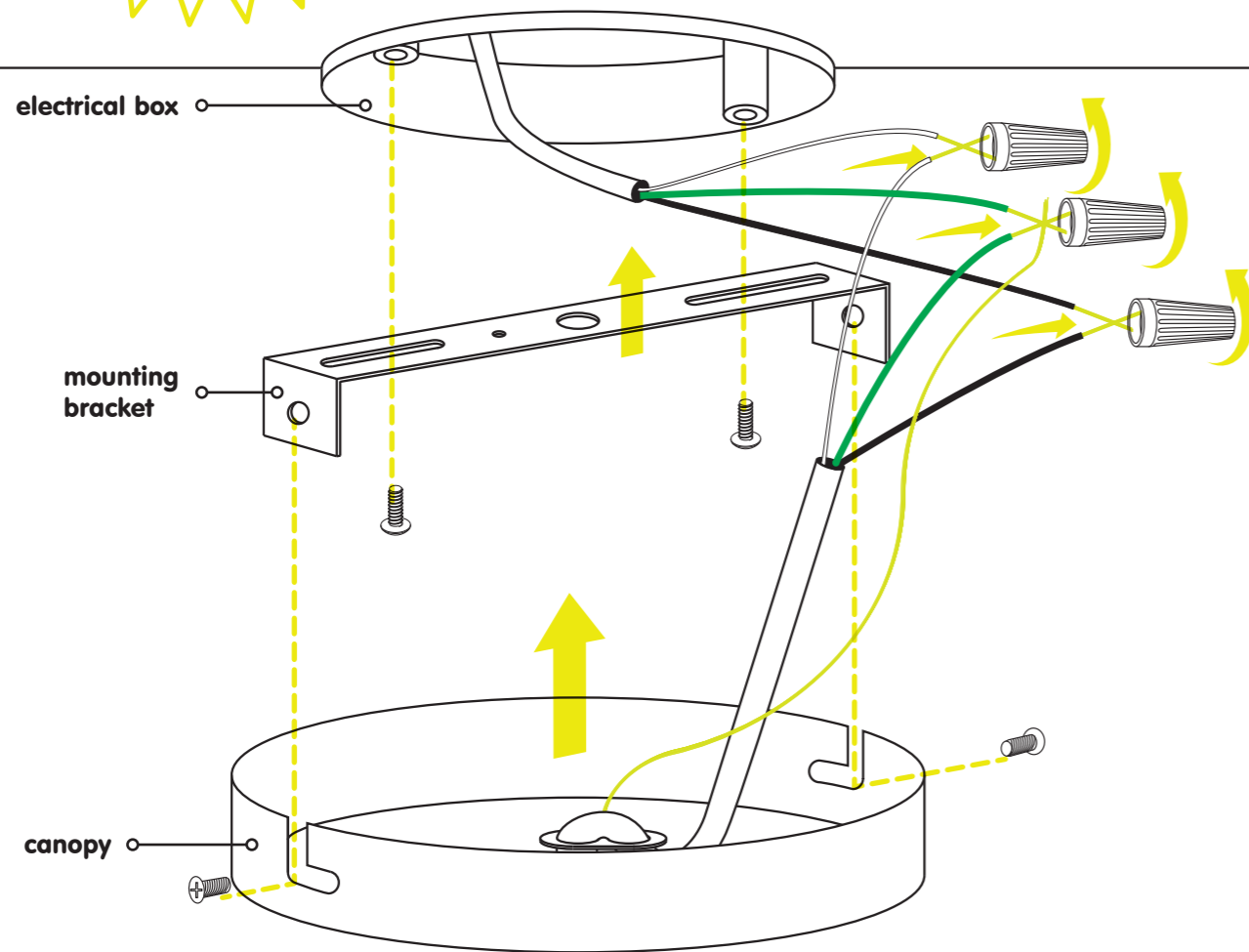
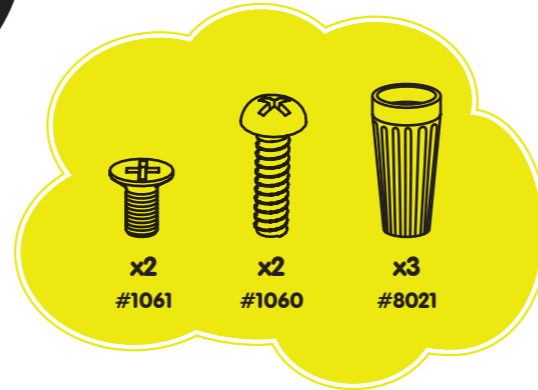
Clean powder-coated units with a soft cloth or sponge using a mild detergent, such as dish soap, and warm water. Wipe completely dry with a soft cloth.

Glass

First, remove dirt or debris from surface of glass with a slightly damp, soft cloth. To remove fingerprints or streaks, use a quality glass cleaner formulated for tinted glass surfaces. Don't forget about the underside of the glass, for the perfect clean.

IF GROUND WIRE PRESENT

ELECTRICITY IS DANGEROUS. HIRE A PROFESSIONAL ELECTRICIAN TO INSTALL YOUR LAMP.

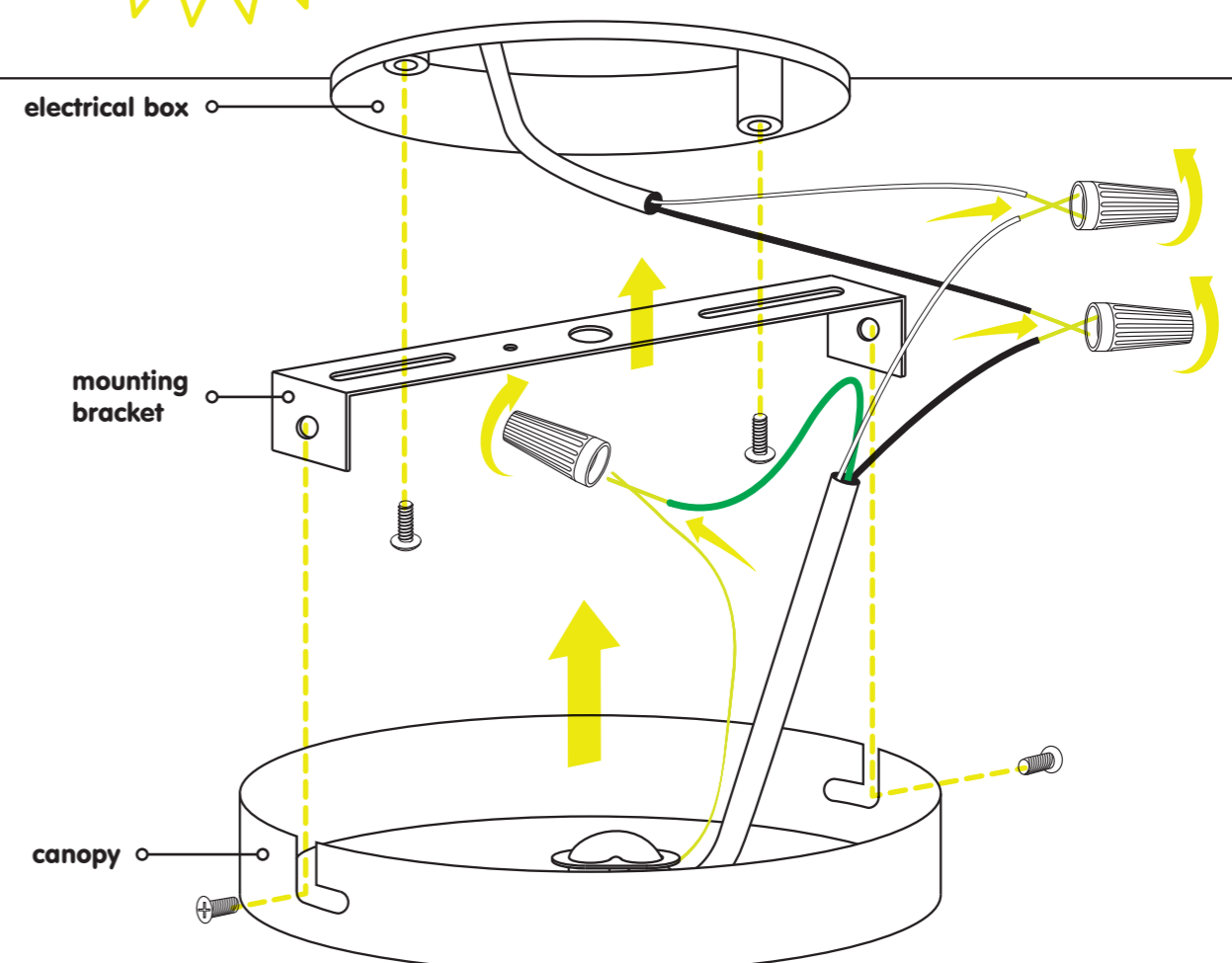


1. Disconnect power.
2. With pendant lamp supported, attach mounting bracket to ceiling electrical box with #1060 hardware.
3. Twist copper wires together, green to green plus single copper wire as shown / white to white / black to black.

4. Twist on orange wire connectors (#8021 hardware) to secure coupled wires.
5. Align horizontal holes on mounting bracket with canopy and attach using # 1061 hardware, twist counter-clockwise to lock into place, tighten if necessary.

IF NO GROUND WIRE PRESENT

ELECTRICITY IS DANGEROUS. HIRE A PROFESSIONAL ELECTRICIAN TO INSTALL YOUR LAMP.



1. Disconnect power.
2. With pendant lamp supported, attach mounting bracket to ceiling electrical box with #1060 hardware.
3. Twist bare copper wire from canopy to green wire from canopy wire cord.
4. Twist remaining wires together, black to black / white to white

5. Twist on orange wire connectors (#8021 hardware) to secure coupled wires.
6. Align horizontal holes on mounting bracket with canopy and attach using # 1061 hardware, twist counter-clockwise to lock into place, tighten if necessary.