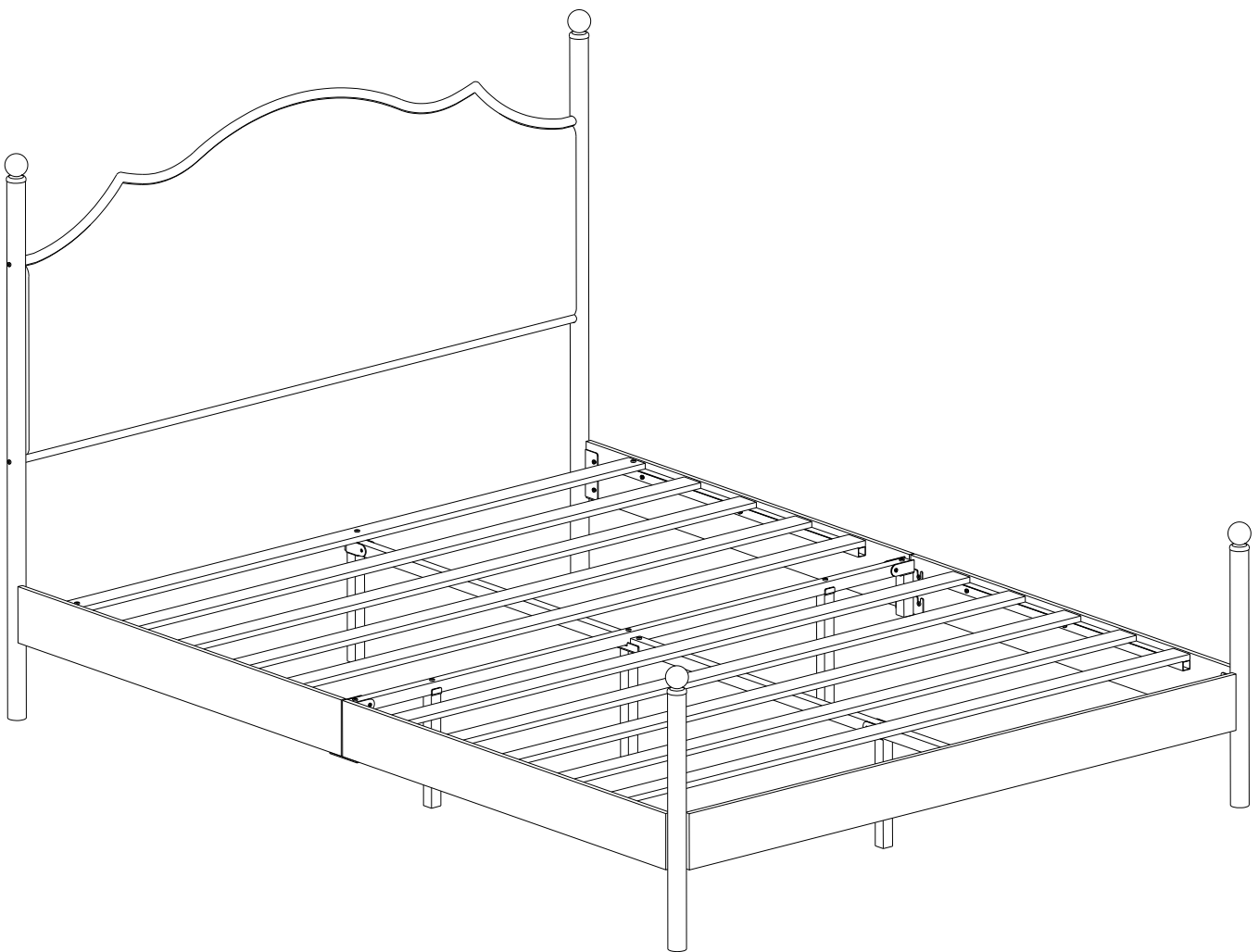


ASSEMBLY INSTRUCTIONS

Upholstered Bed

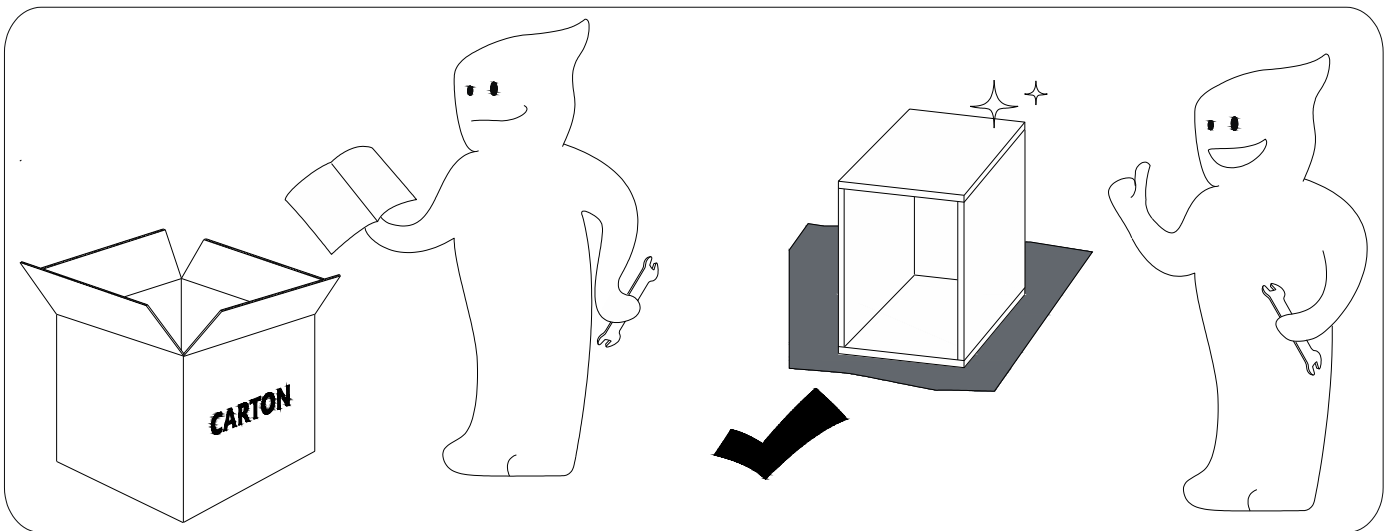
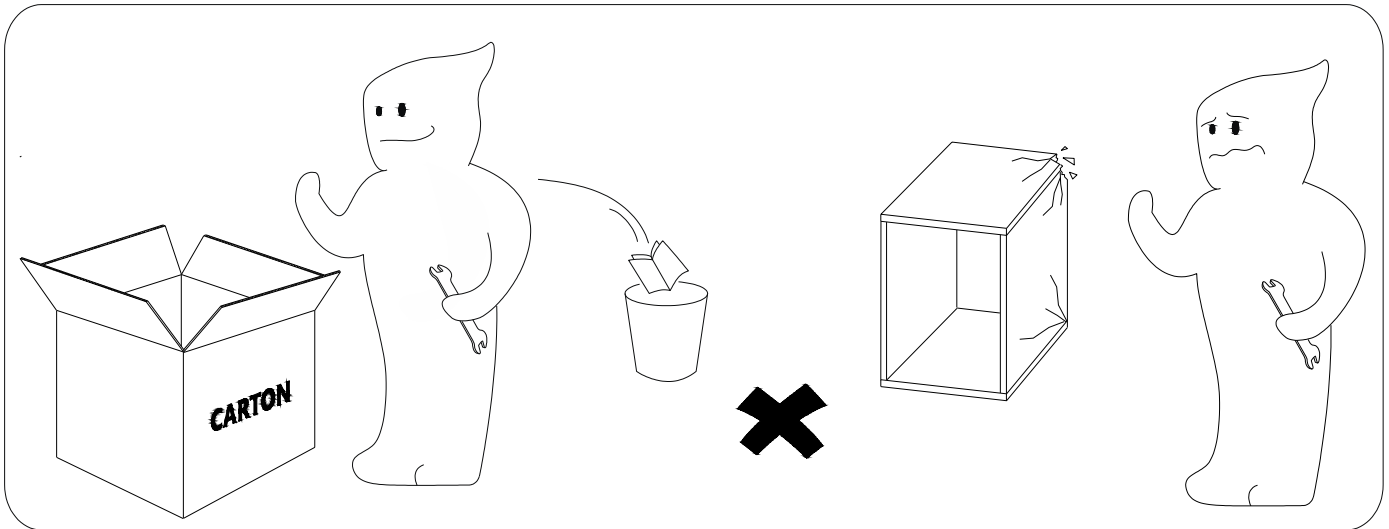


Friendly Customer Service

Satisfaction Guarantees: Any problems with assembly, quality, or return, please feel free to contact us directly.

! IMPORTANT

Please follow the instruction manuals and use a pad to protect the product during assembly.



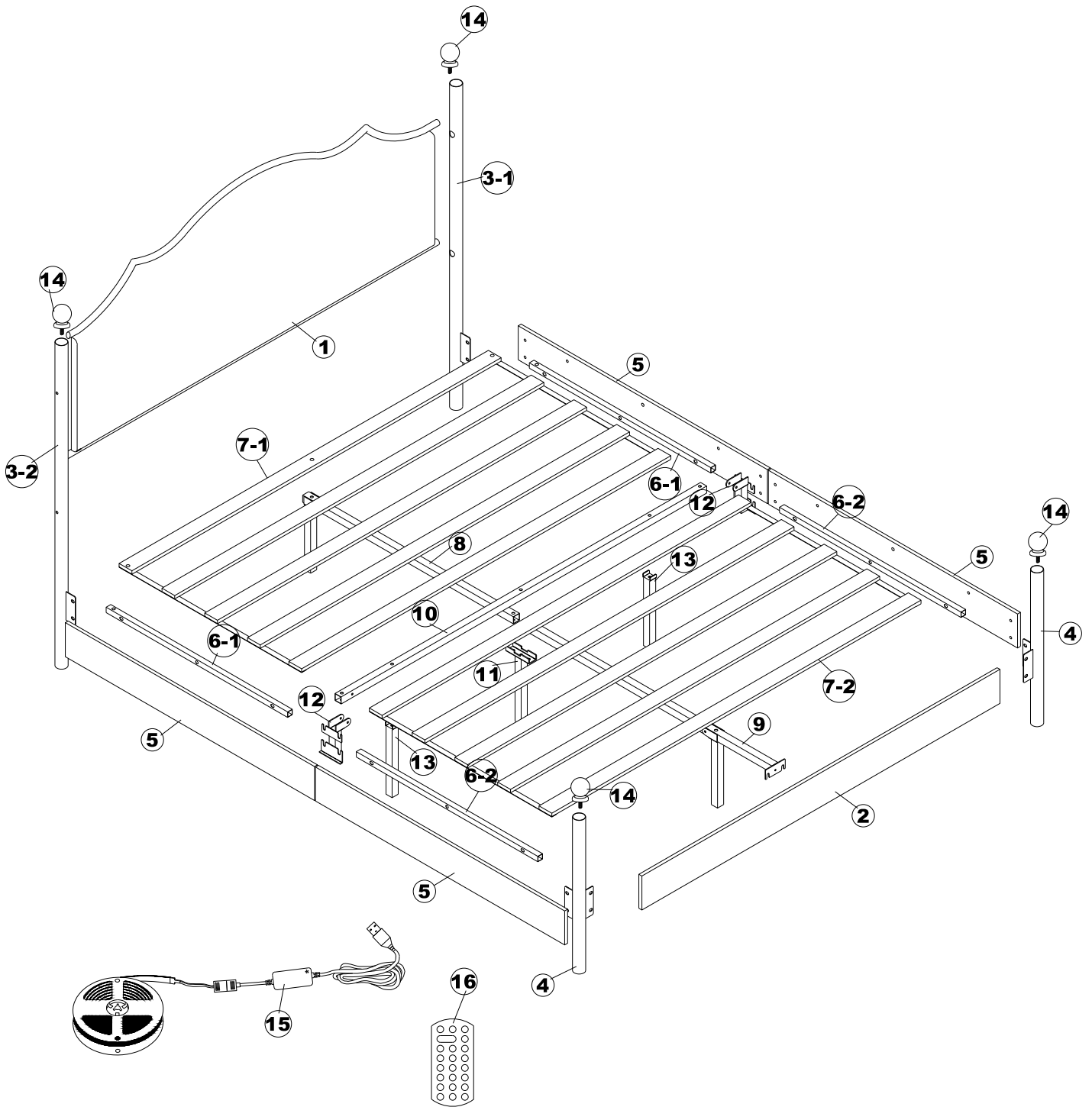
Note:

1. Should be assembled on flat ground to keep balance.
2. Before completing the installation, do not tighten the screws.



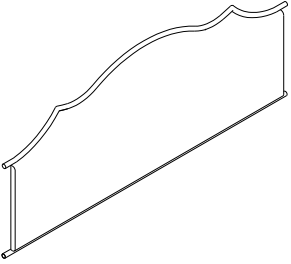
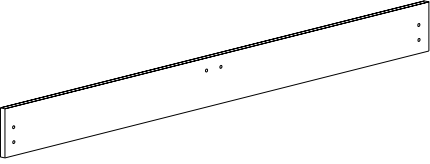
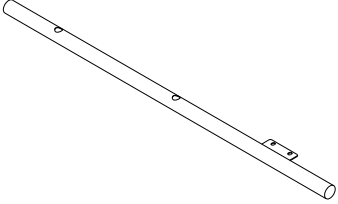
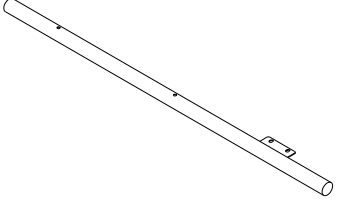
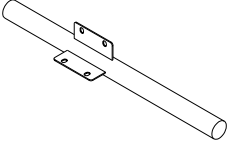
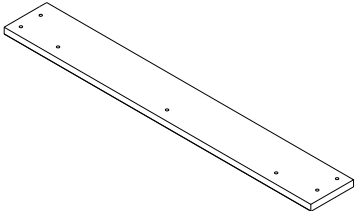
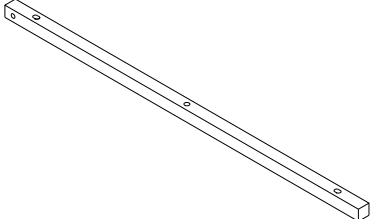
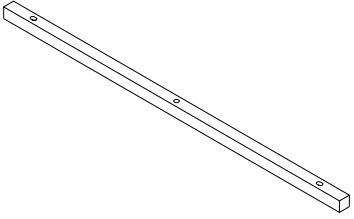
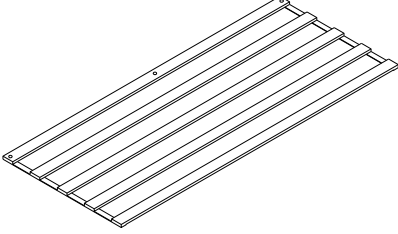
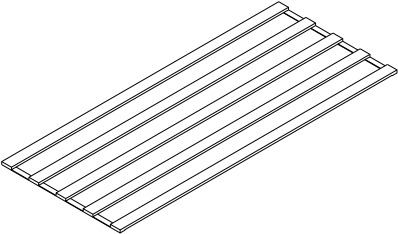
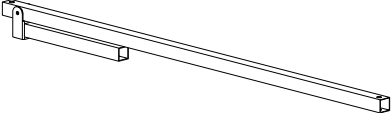
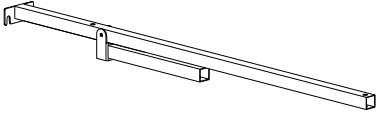
For easier and better assembly, 2 or more adults are required.

ASSEMBLY INSTRUCTIONS



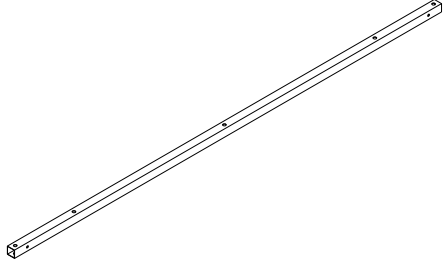
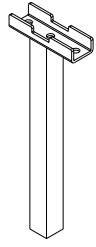
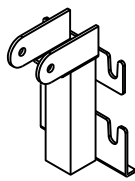


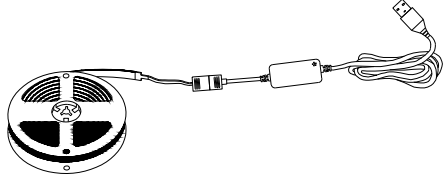
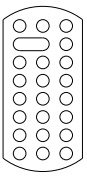
ASSEMBLY INSTRUCTIONS

PARTS LIST


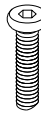

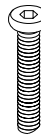
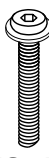
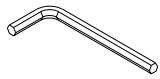
1  1pc	2  1pc
3-1  1pc	3-2  1pc
4  2pcs	5  4pcs
6-1  2pcs	6-2  2pcs
7-1  1pc	7-2  1pc
8  1pc	9  1pc

ASSEMBLY INSTRUCTIONS

PARTS LIST

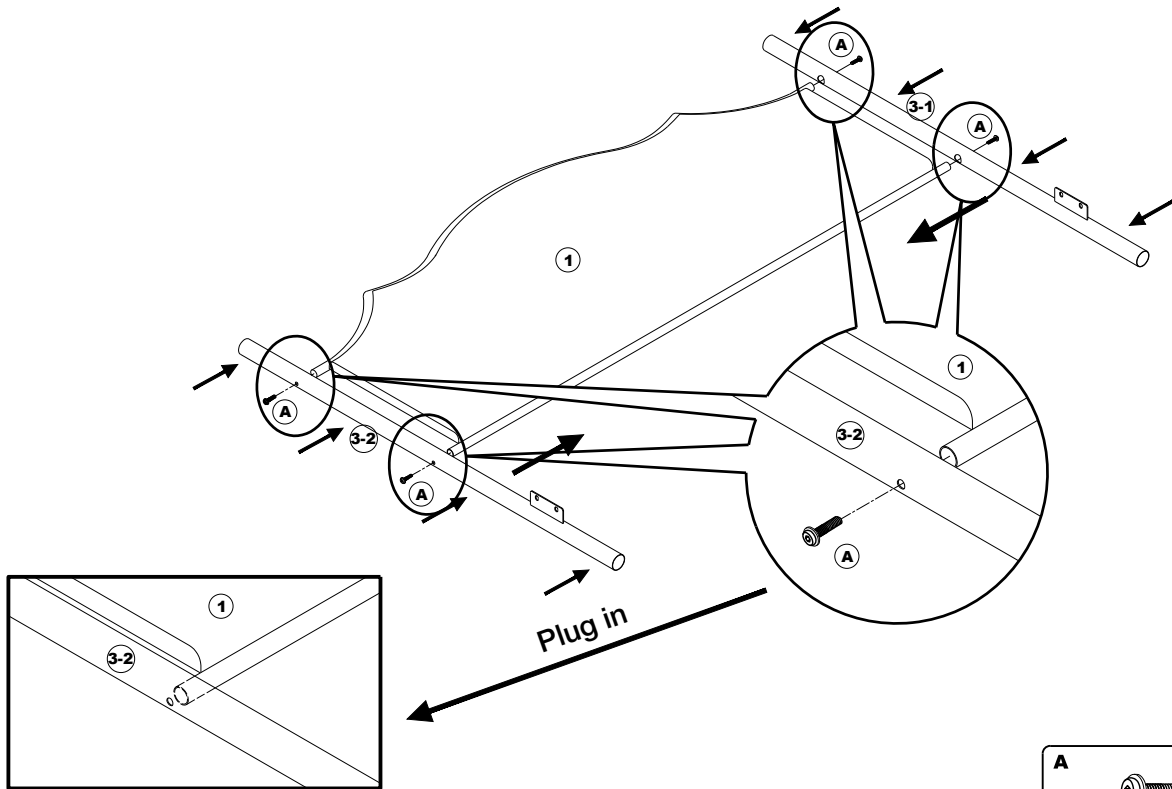
<p>10</p>  <p>1pc</p>	<p>11</p>  <p>1pc</p>
<p>12</p>  <p>2pcs</p>	<p>13</p>  <p>2pcs</p>
<p>14</p>  <p>4pcs</p>	<p>15</p>  <p>1pc</p>
<p>16</p>  <p>1pc</p>	

Hardware list

<p>A</p>  <p>M6x25 6pcs</p>	<p>B</p>  <p>M8x30 12pcs</p>	<p>C</p>  <p>M8x15 22pcs</p>	<p>D</p>  <p>M8x40 7pcs</p>
<p>E</p>  <p>M8x50 2pcs</p>	<p>F</p>  <p>M5 allen key 1pc</p>		

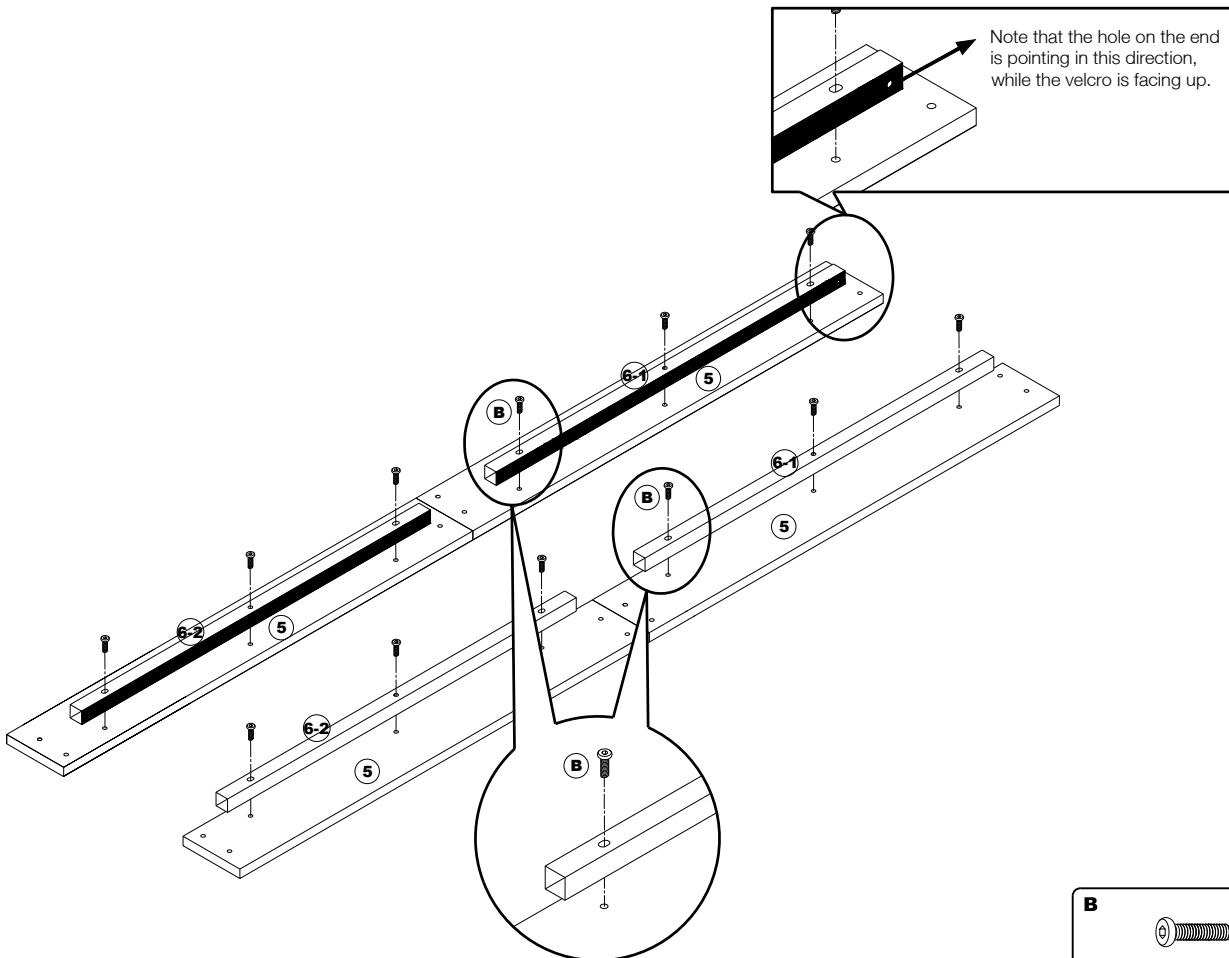
ASSEMBLY INSTRUCTIONS

1



A
M6 x 25mm X4pcs

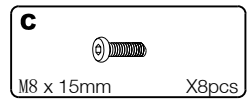
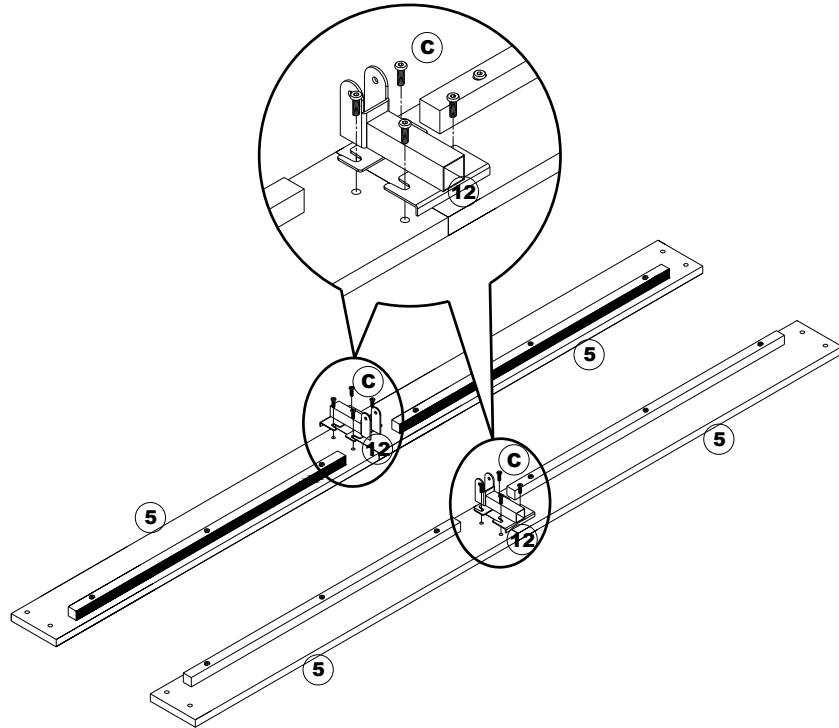
2



B
M8 x 30mm X12pcs

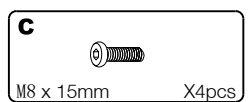
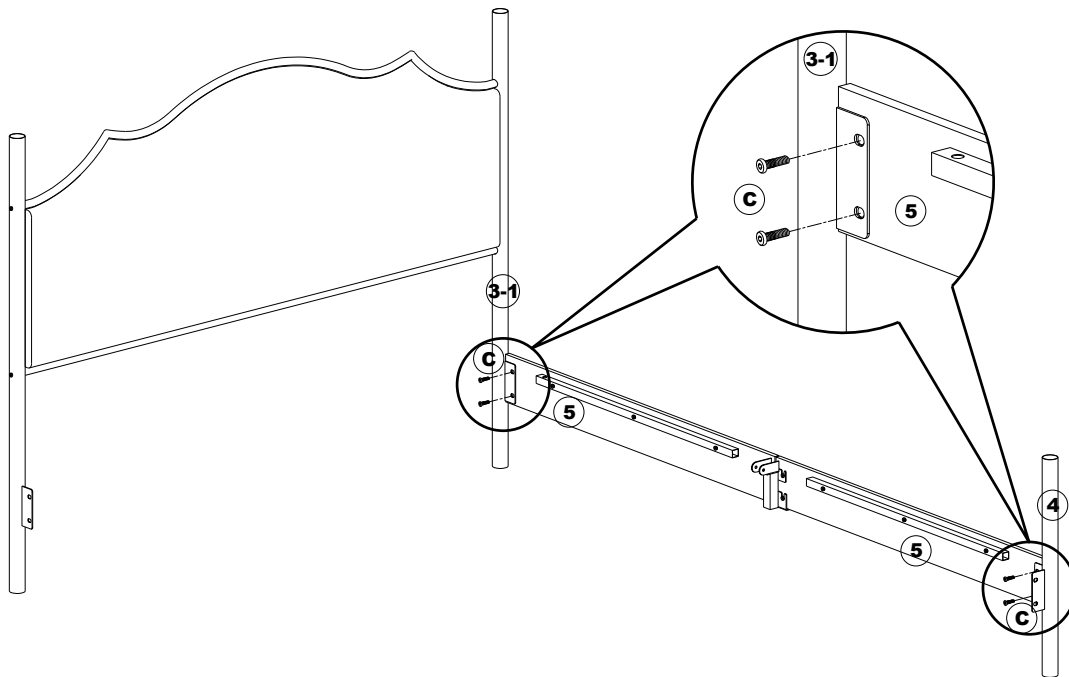
ASSEMBLY INSTRUCTIONS

3



4

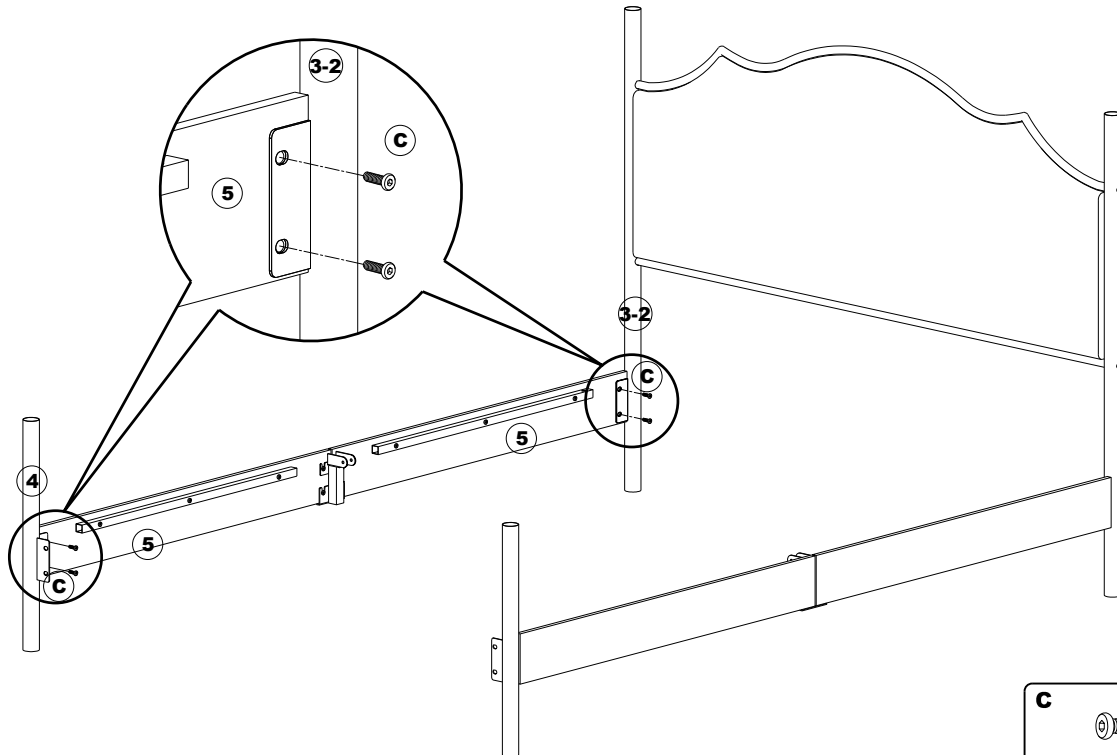
Tighten all the screws after all holes are aligned.



ASSEMBLY INSTRUCTIONS

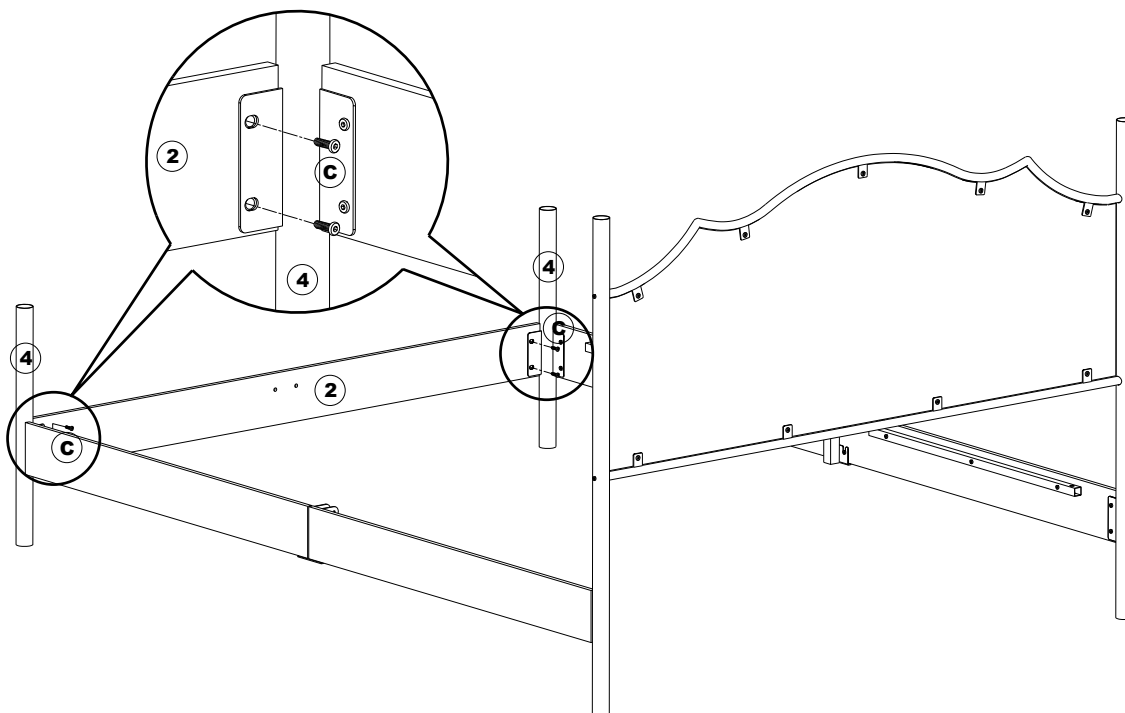
5

Tighten all the screws after all holes are aligned.



6

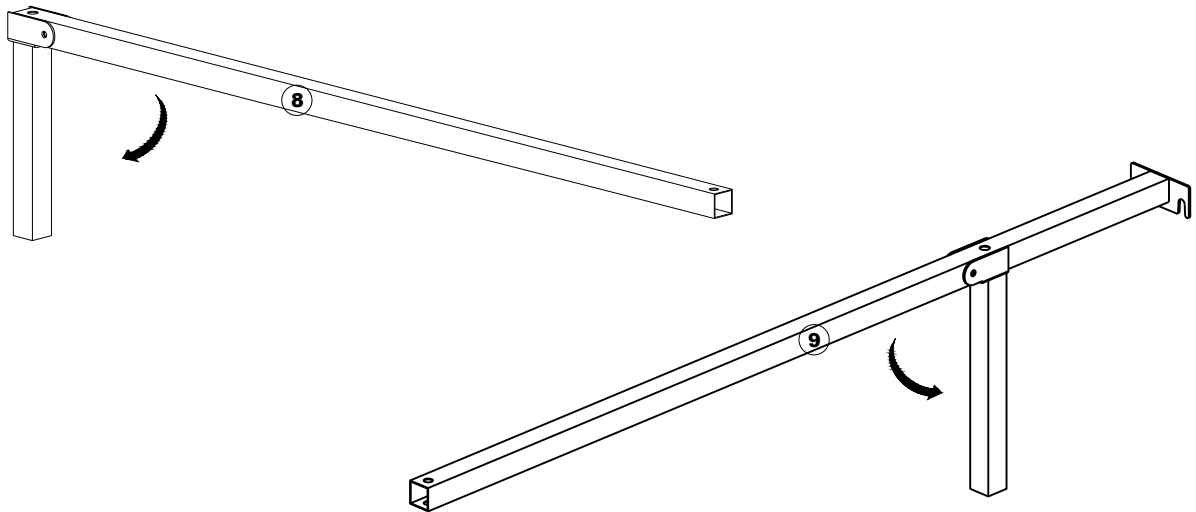
Tighten all the screws after all holes are aligned.



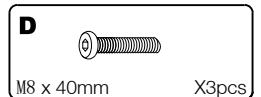
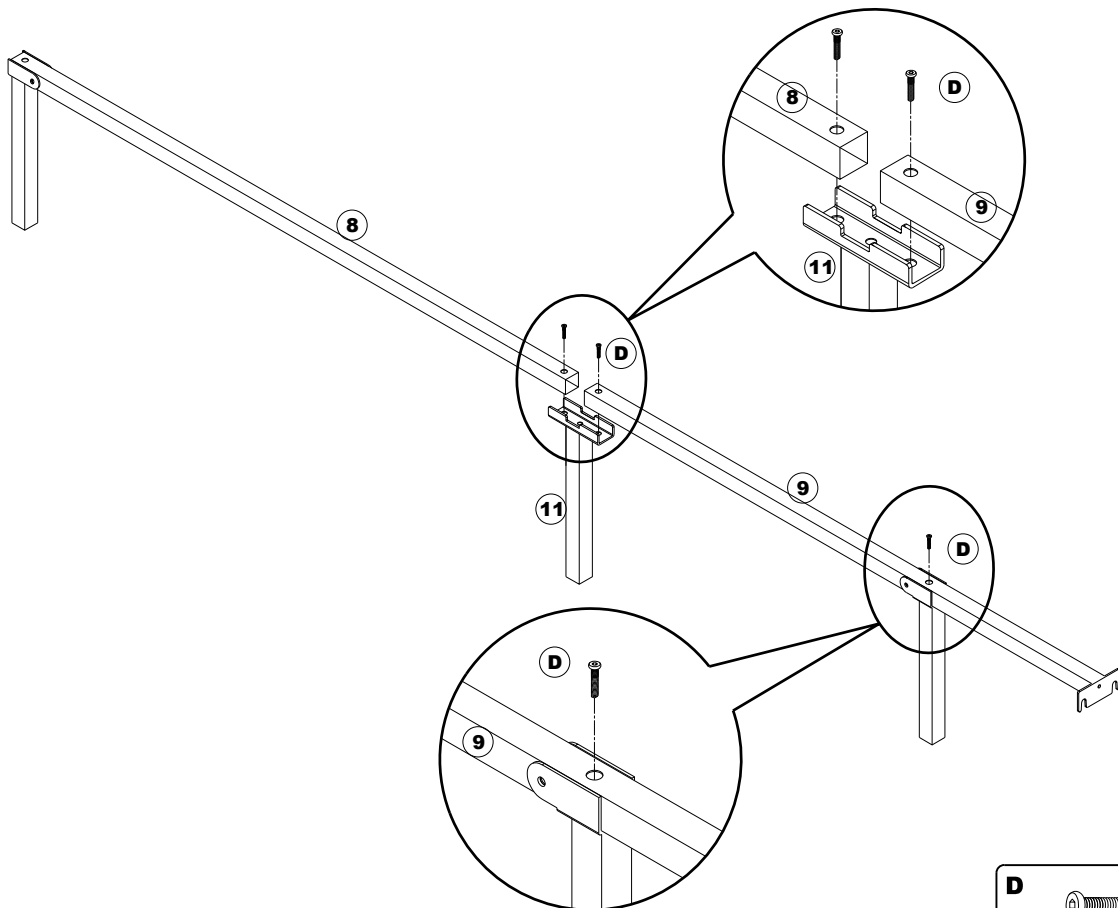
ASSEMBLY INSTRUCTIONS

7

WARNING!
Moving parts can crush or cut.
Keep fingers, hands, and feet away to avoid injury.

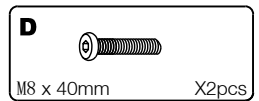
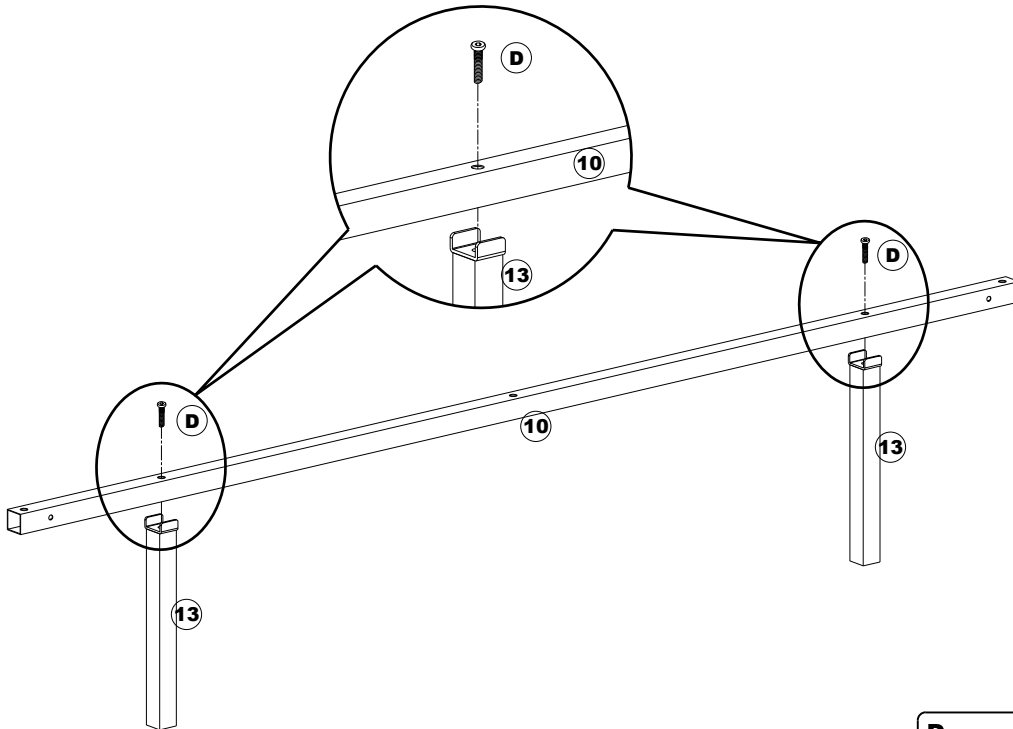


8

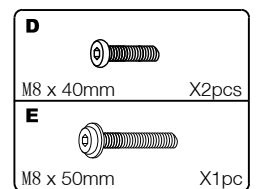
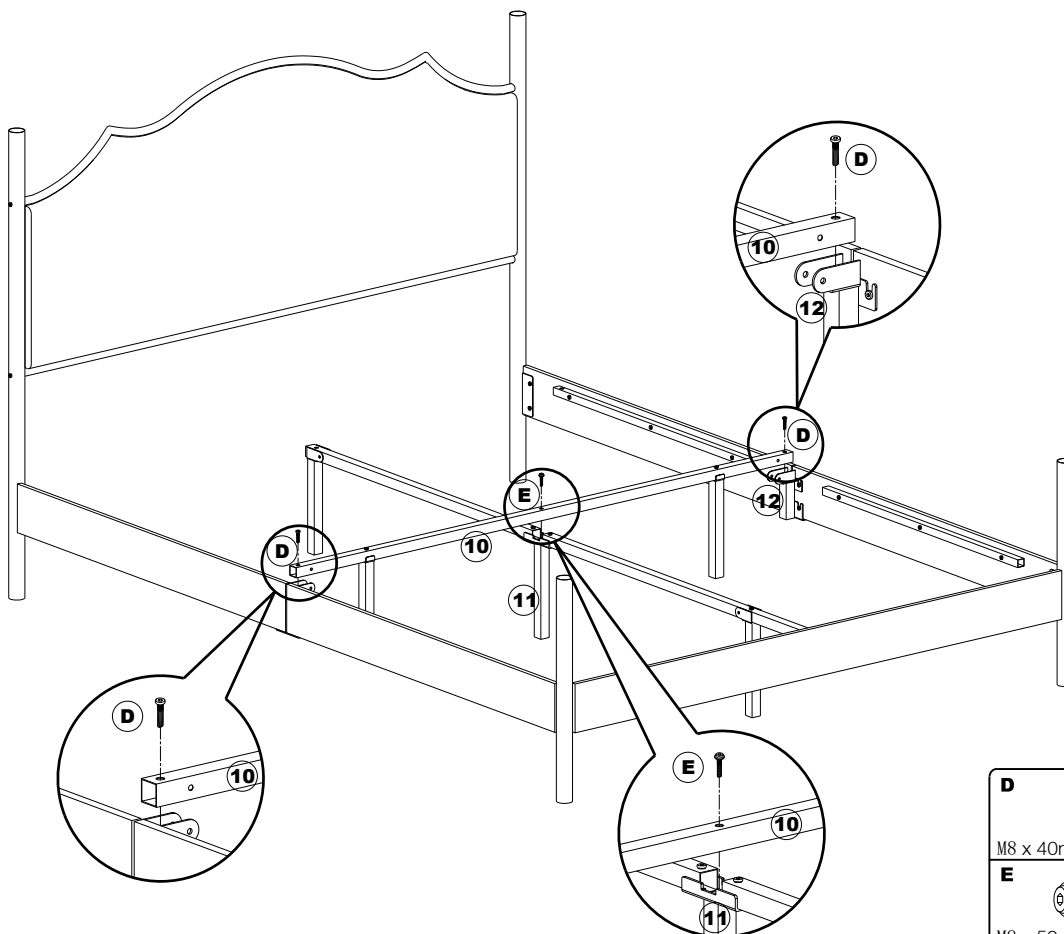


ASSEMBLY INSTRUCTIONS

9

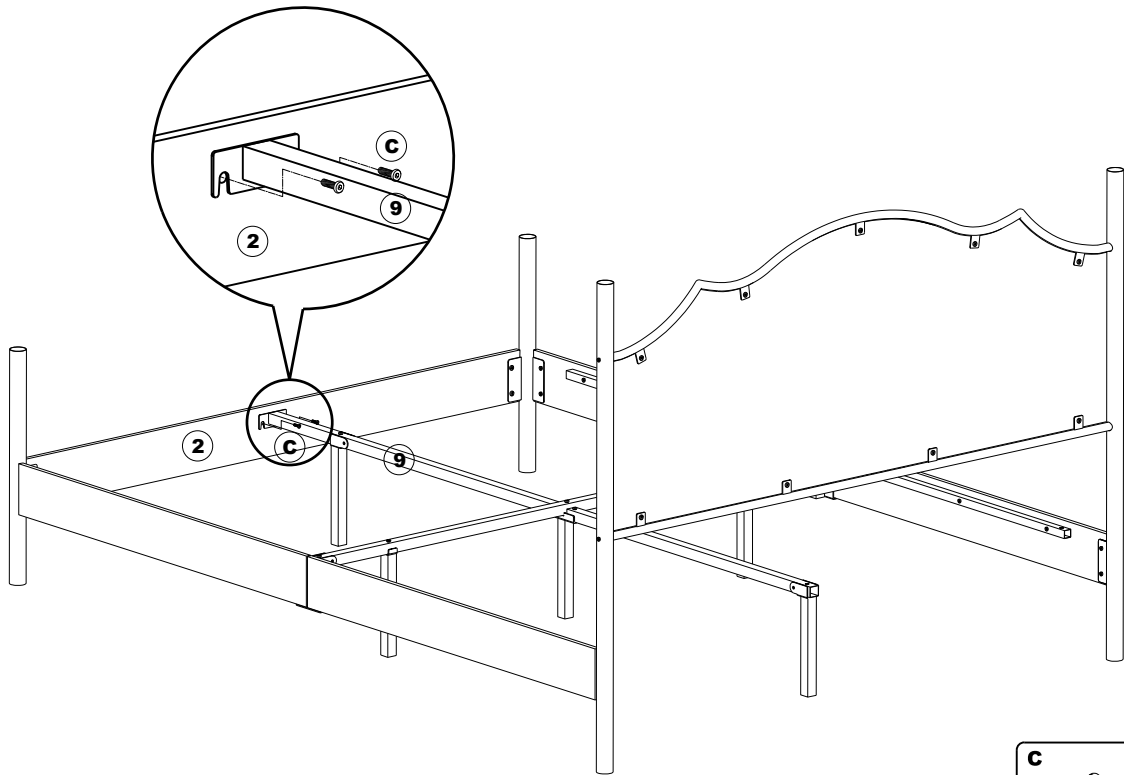



10



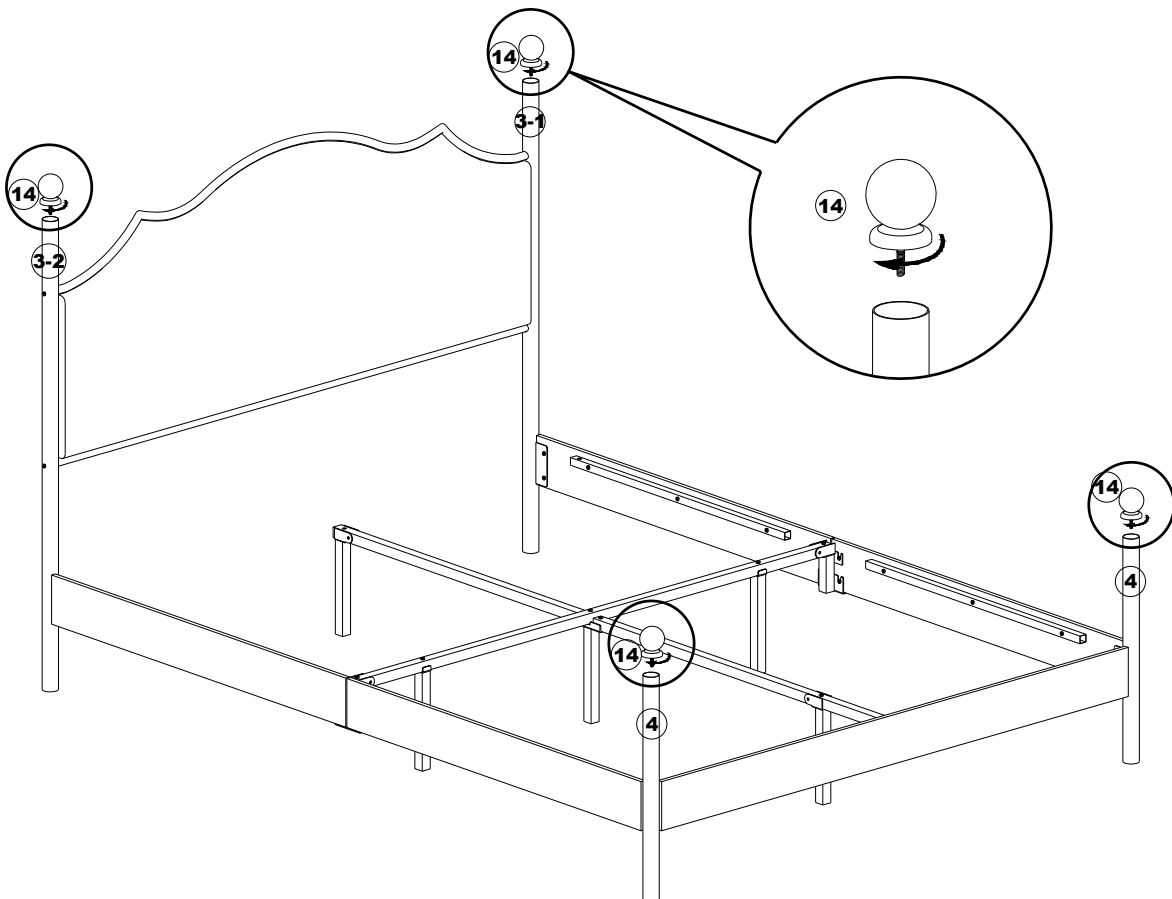
ASSEMBLY INSTRUCTIONS

11

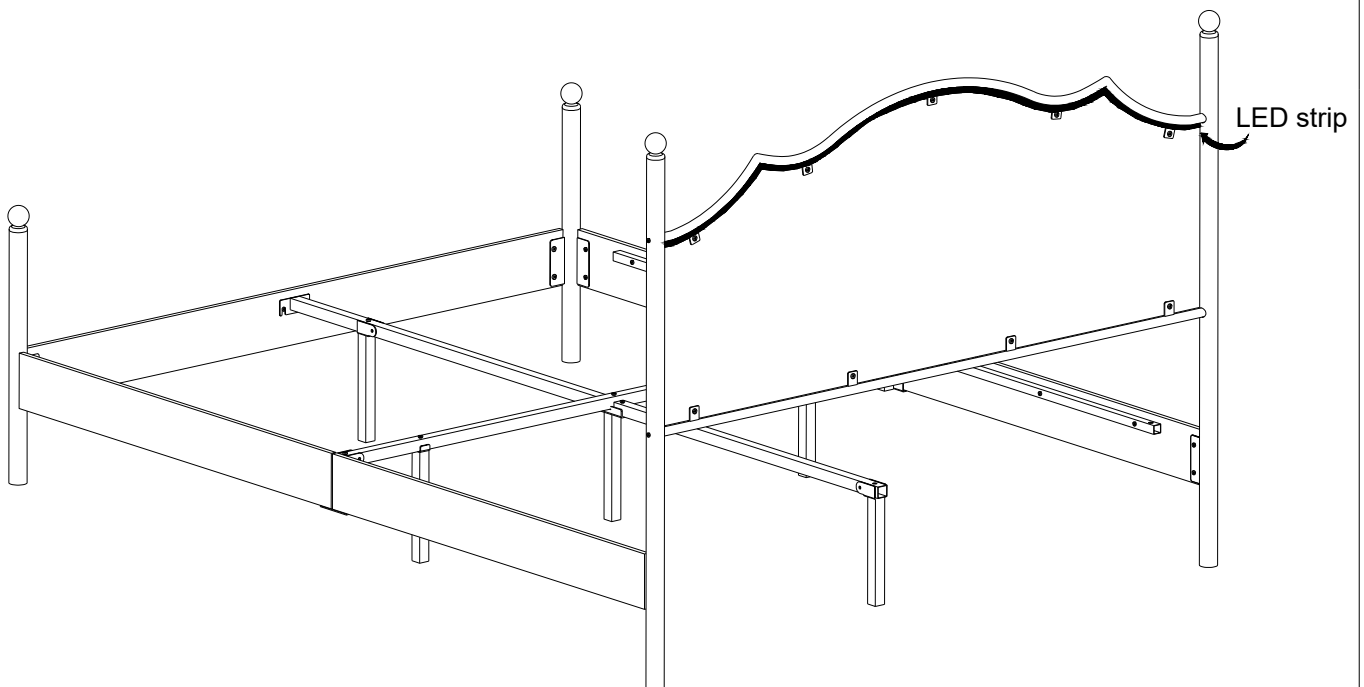
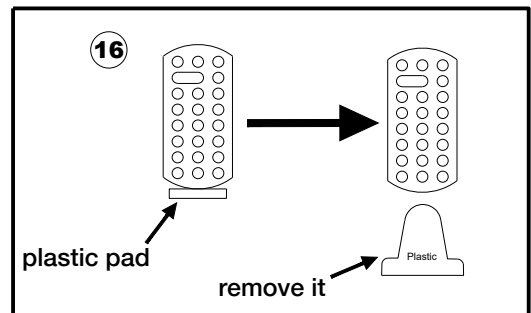
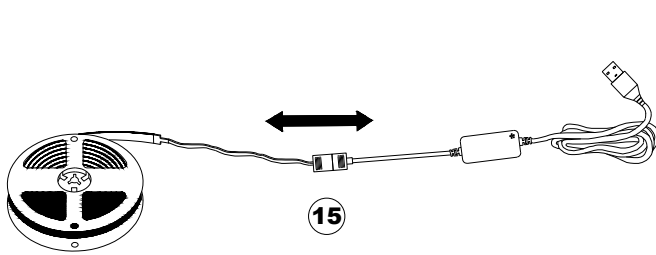


C

M8 x 15mm X2pcs

12

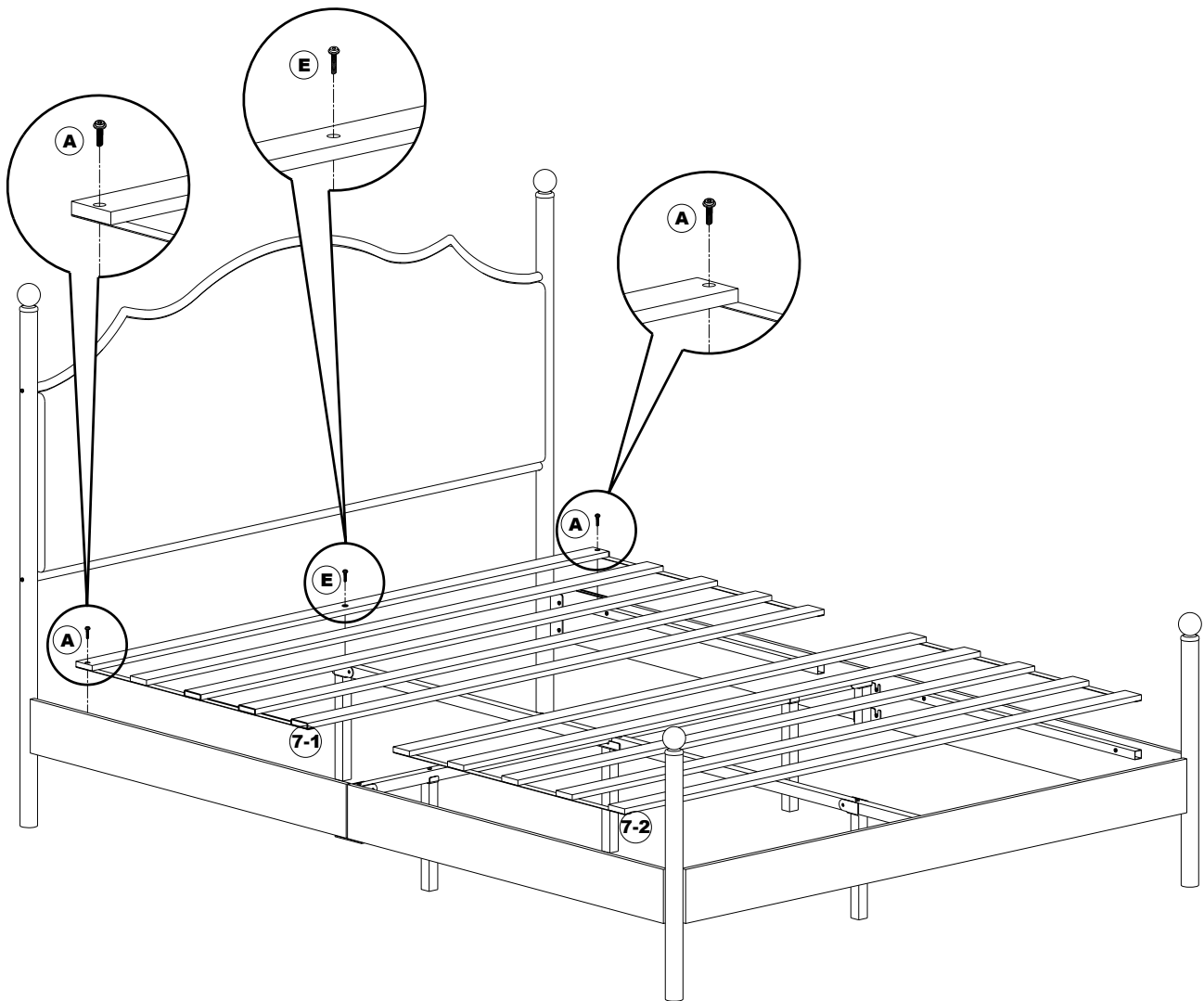
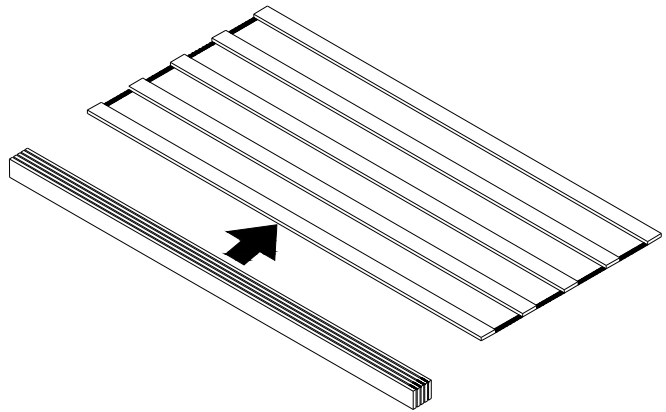



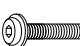
Attach the LED strip to the back of the bed frame as per diagram.



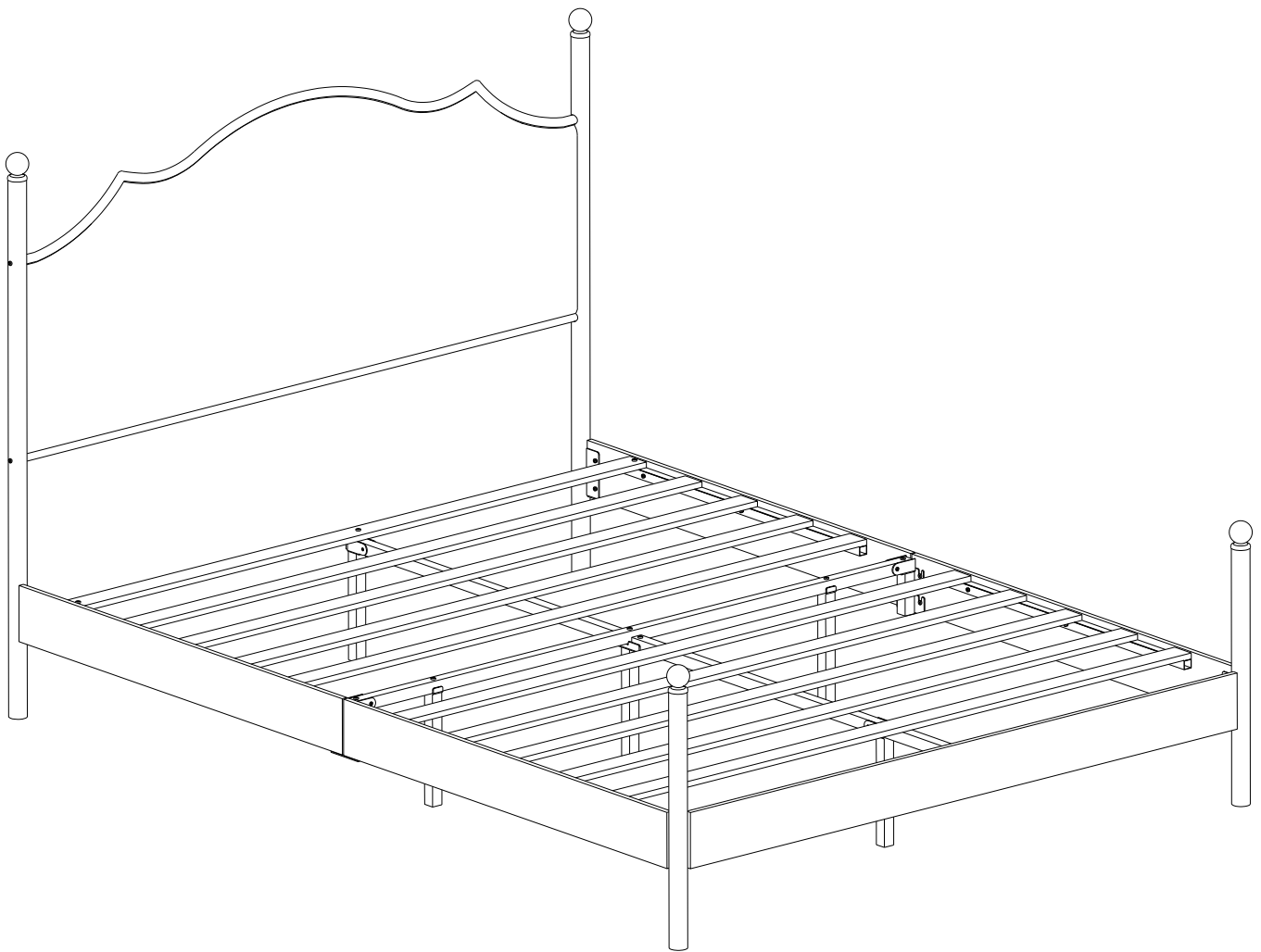
ASSEMBLY INSTRUCTIONS

14



A	
M6 x 25mm	X2pcs
E	
M8 x 50mm	X1pc

ASSEMBLY INSTRUCTIONS



Installation Complete