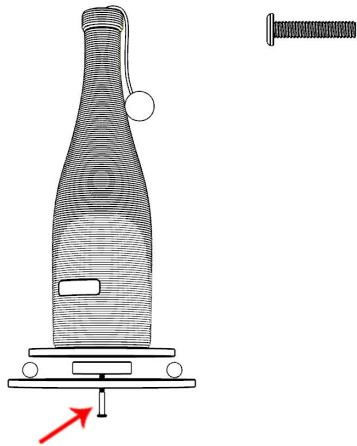
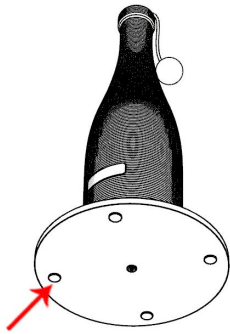


Rotating Wine Bottle Scratching Post Installation Instructions




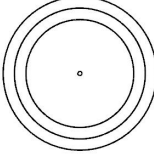
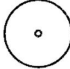
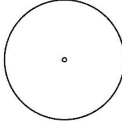



Step 1

Take the wine bottle post, Board 1, Board 2, Board 3, and the wooden balls. Stack them in the following order as shown in the diagram: Board 1 → Board 2 → Board 3 → Wooden Balls → Wine Bottle Post. Align all parts and secure them with the M8×80 inner hex screw.



Step 2

Take the non-slip pads and peel off the backing paper. Stick the pads onto the designated positions on the bottom of the base board as shown.

	Wine Bottle Post × 1 PC
	Board 1 × 1 PC
	Board 2 × 1 PC
	Board 3 × 1 PC
	Wooden Balls × 2 PCS
	Non-slip Pads × 4 PCS
	M8×80 Inner Hex Screw × 1 PC

Parts List