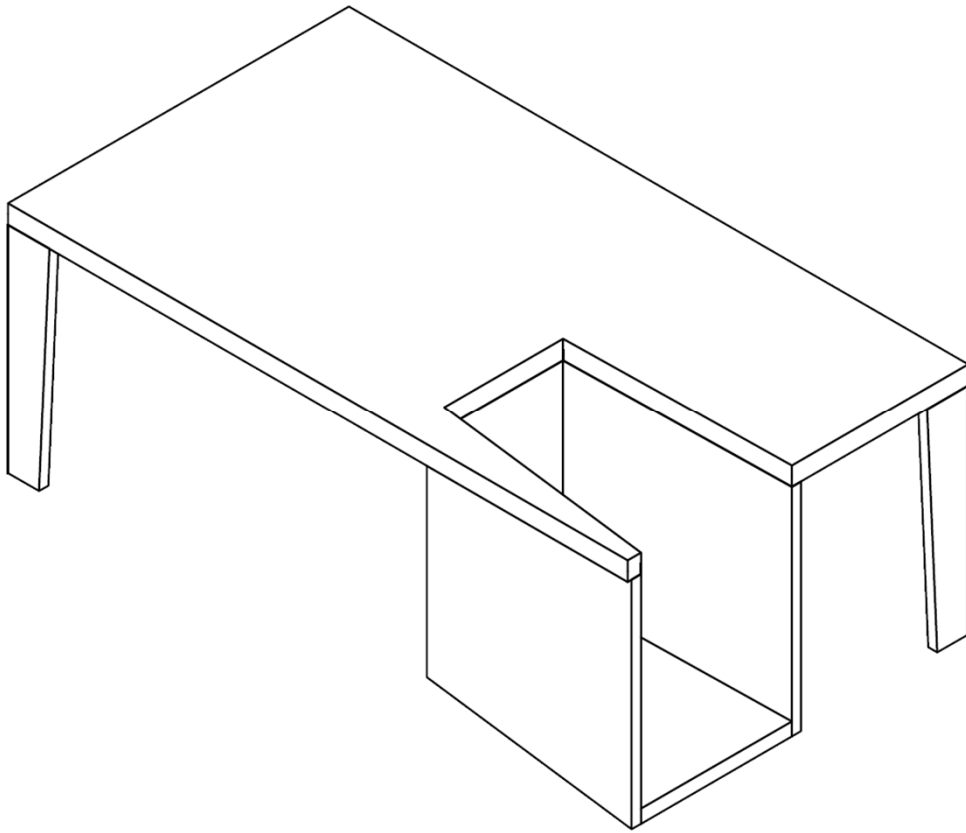


Assembly Instructions



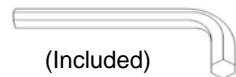
ASSEMBLY RATING

The Assembly Rating is a 5-point system that shows the degree of effort needed in assembling a specific product (with 1 being easy and 5 being difficult). For some products, two persons are recommended.

EASY  DIFFICULT

Tools Required for Assembly:

Allen Wrench



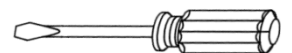
(Included)

Phillips Screwdriver



(Not Included)

Flat-Head Screwdriver

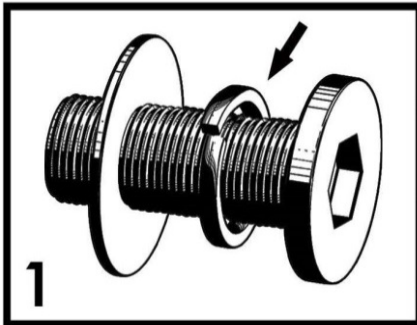


(Not Included)

ASSEMBLY & CARE ADVICE

FOR YOUR FURNITURE TO LAST, CORRECT ASSEMBLY AND PROPER MAINTENANCE ARE NECESSARY. PLEASE FOLLOW THE INFORMATION PROVIDED BELOW TO FULLY ENJOY YOUR FURNITURE.

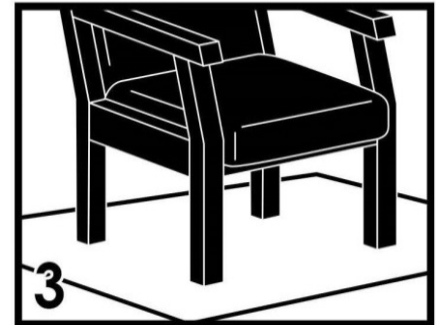
BASIC ASSEMBLY TECHNIQUES



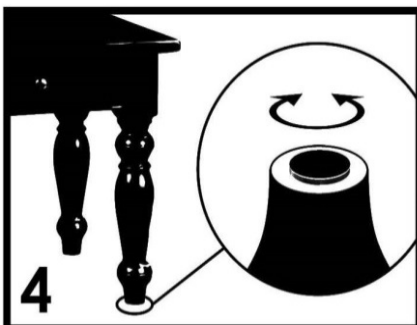
1 When lock or spring washer is used in an assembly, please make sure the lock or spring washer is placed between the larger flat washer and the head of the screw or bolt.



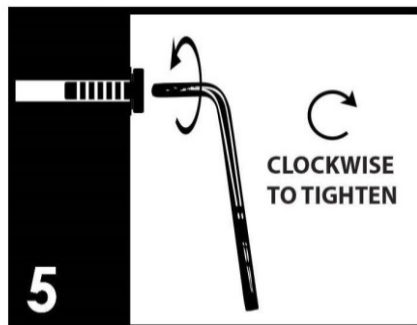
2 Position each part correctly and insert screws or bolts into their respective holes by hand tighten or using the proper hand tool. Only tighten when step is completed or when instructed to do so.



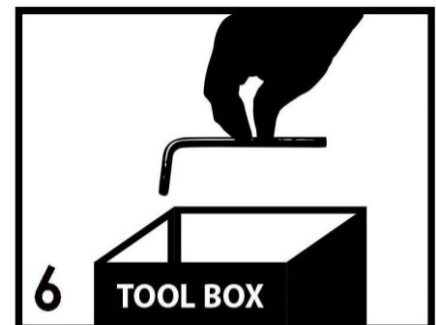
3 Use cardboard or carpet area when assembling furniture to prevent scratches. Make sure the furniture rests on a flat and level surface with each leg evenly touching the floor.



4 Some furniture comes with height adjustment knobs underneath each leg. To lower or to raise each leg, you need to turn clockwise or counterclockwise, respectively.



5 Make sure all parts are properly aligned, then use the appropriate hand tool to completely tighten the bolts or screws. Do not use power tools and do not overtighten.

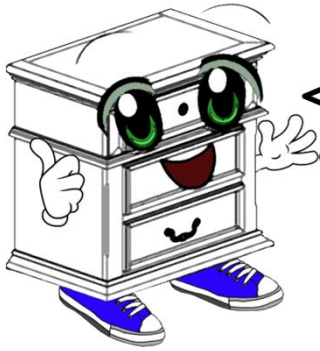


6 Save the instructions and store the Allen wrench or any supplied tool for later maintenance. After two weeks, check and tighten any loose hardware and repeat again every six months thereafter.

IT IS THE USER'S RESPONSIBILITY TO MAINTAIN THE FURNITURE. THE HARDWARE MAY LOOSEN OVER TIME AND MAY CAUSE THE FURNITURE TO BE WOBBLY AND UNABLE TO SUPPORT ITS INTENDED WEIGHT CAPACITY. THIS MAY LEAD TO COLLAPSE AND MAY CAUSE SERIOUS INJURY.



FAILURE TO FOLLOW THE GUIDELINES ABOVE MAY RESULT IN INJURY AND/OR PROPERTY DAMAGE.






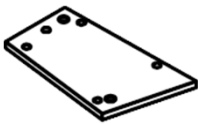


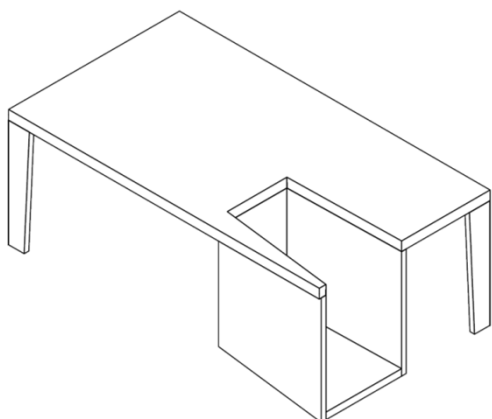
Before you begin, please read Page 2 of "Assembly and Care Advice".

And remember, do not tighten until each step is completed or instructed.






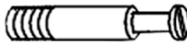


MD

Parts List

-  #1 x 1 pc
Table Top
-  #2 x 3 pcs
Leg
-  #3 x 1 pc
Rear Panel
-  #4 x 1 pc
Left Panel
-  #5 x 1 pc
Right Panel
-  #6 x 1 pc
Bottom Panel

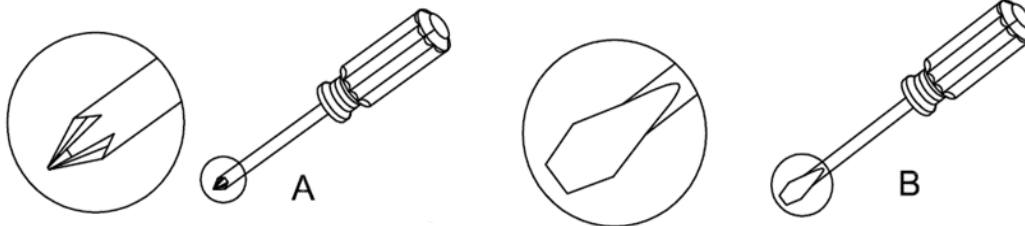


Hardware List

-  #A x 3 pcs
Flat Washer
-  #B x 3 pcs
Lock Washer
-  #C x 3 pcs
Bolt 5/16"x1-7/8"
-  #D x 1 pc
Allen Wrench
-  #E x 6 pcs
Wood Dowel
-  #F1 x 14 pcs
Cam Bolt
-  #F2 x 14 pcs
Cam Connector
-  #G x 14 pcs
Cam Cover

CAM LOCK FASTENER ASSEMBLY INSTRUCTIONS

Note: Every cam lock bolt must have a cam lock connector in order to fasten the parts together.



(1) Secure the threaded end of the cam bolt by using a screwdriver. Turn right (clockwise) to tighten.

B Align the cam connector with its side opening (or arrow) pointing to the small drilled hole.

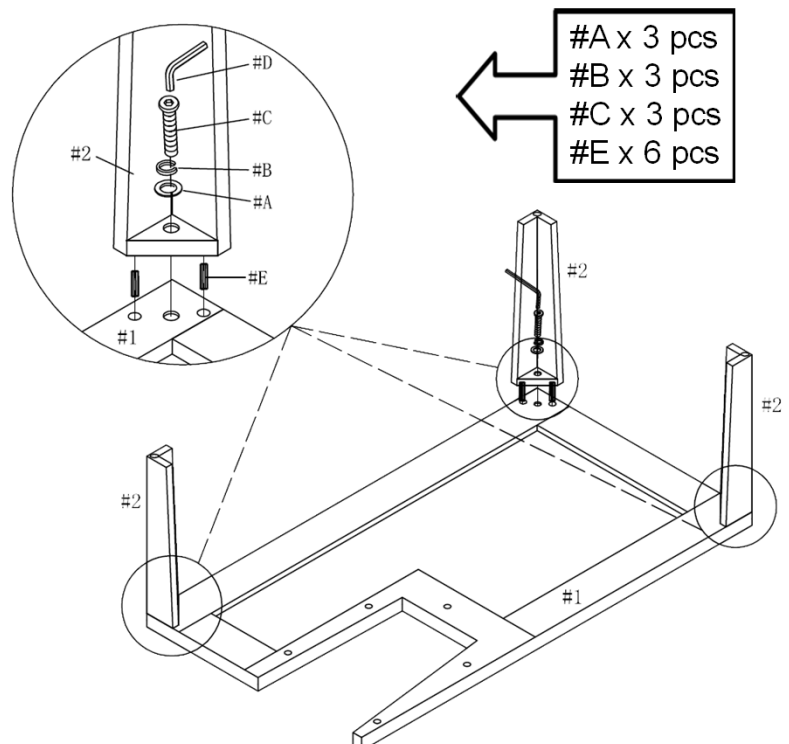
(2) Insert the cam lock bolt into the pre-drilled hole above the cam connector.

(3) Two parts should fit snugly against each other.

(4) Turn the cam connector with a screwdriver until it will not turn any more with light to moderate force. Turn right (clockwise) to tighten.

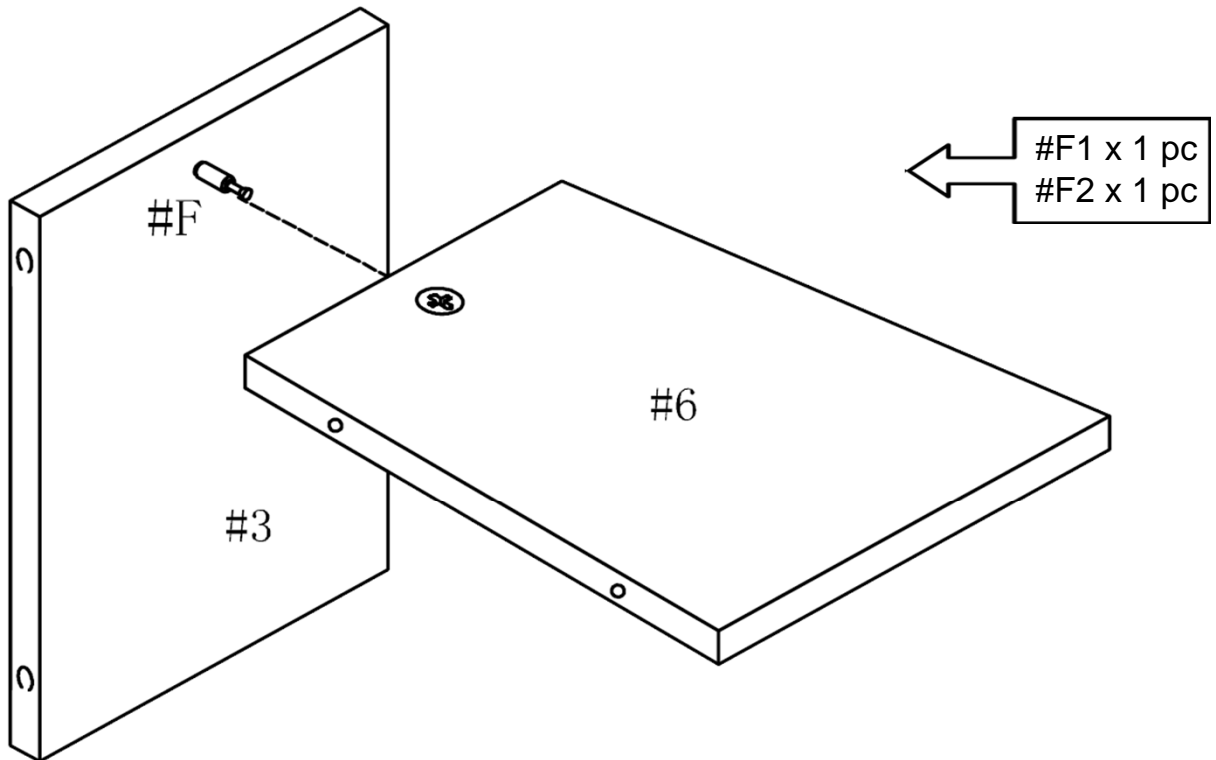


- I. Carefully place the table top (#1) facing down on a protected surface. Insert two wood dowels (#E) into the corner of the table top (#1).
- II. Align the leg (#2) with the wood dowels (#E) and the pre-drilled hole in the corner of the table top (#1).
- III. Prepare a bolt assembly by inserting FIRST the lock washer (#B) onto the bolt (#C) and then the flat washer (#A) onto the SAME bolt (#C), in that order.
- IV. Insert the bolt assembly through the pre-drilled hole on the leg (#2) and secure that bolt using the Allen wrench (#D) to lock it in with the table top (#1).
- V. Repeat the process for assembling the remaining 3 legs (#2) onto the table top (#1).

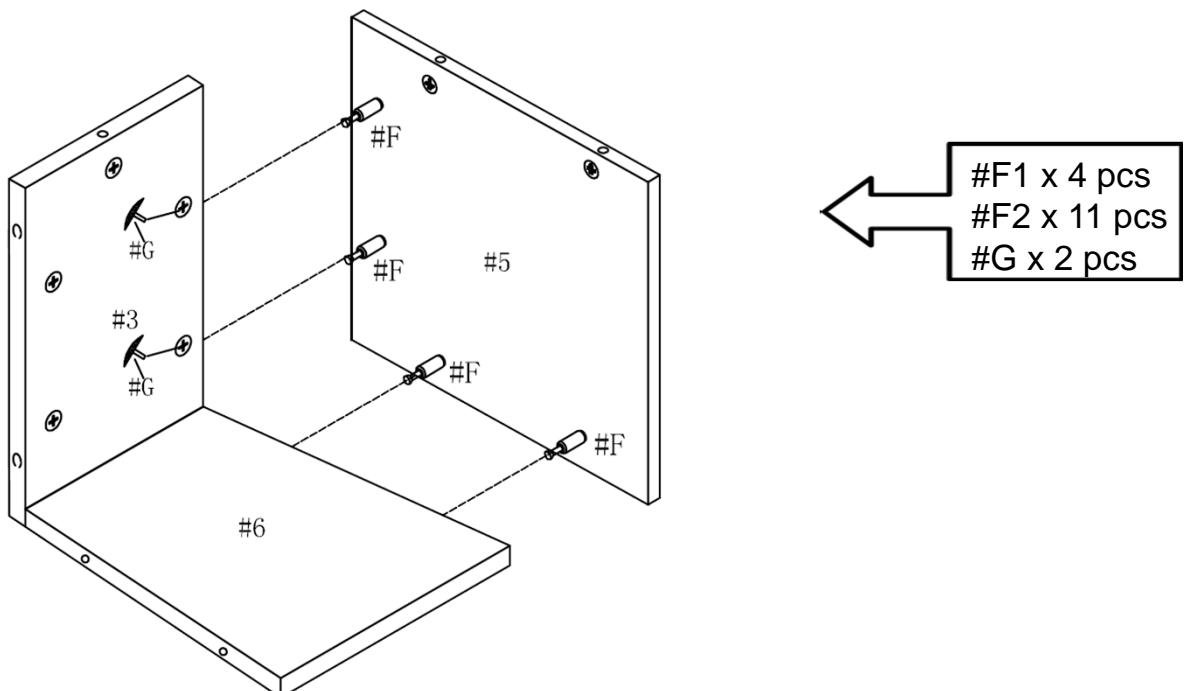




Insert one cam bolt (#F1) into the rear panel (#3) and one cam connector (#F2) into the bottom panel (#6). See diagram below and refer to "CAM LOCK FASTENER ASSEMBLY INSTRUCTIONS" for connecting those parts together.

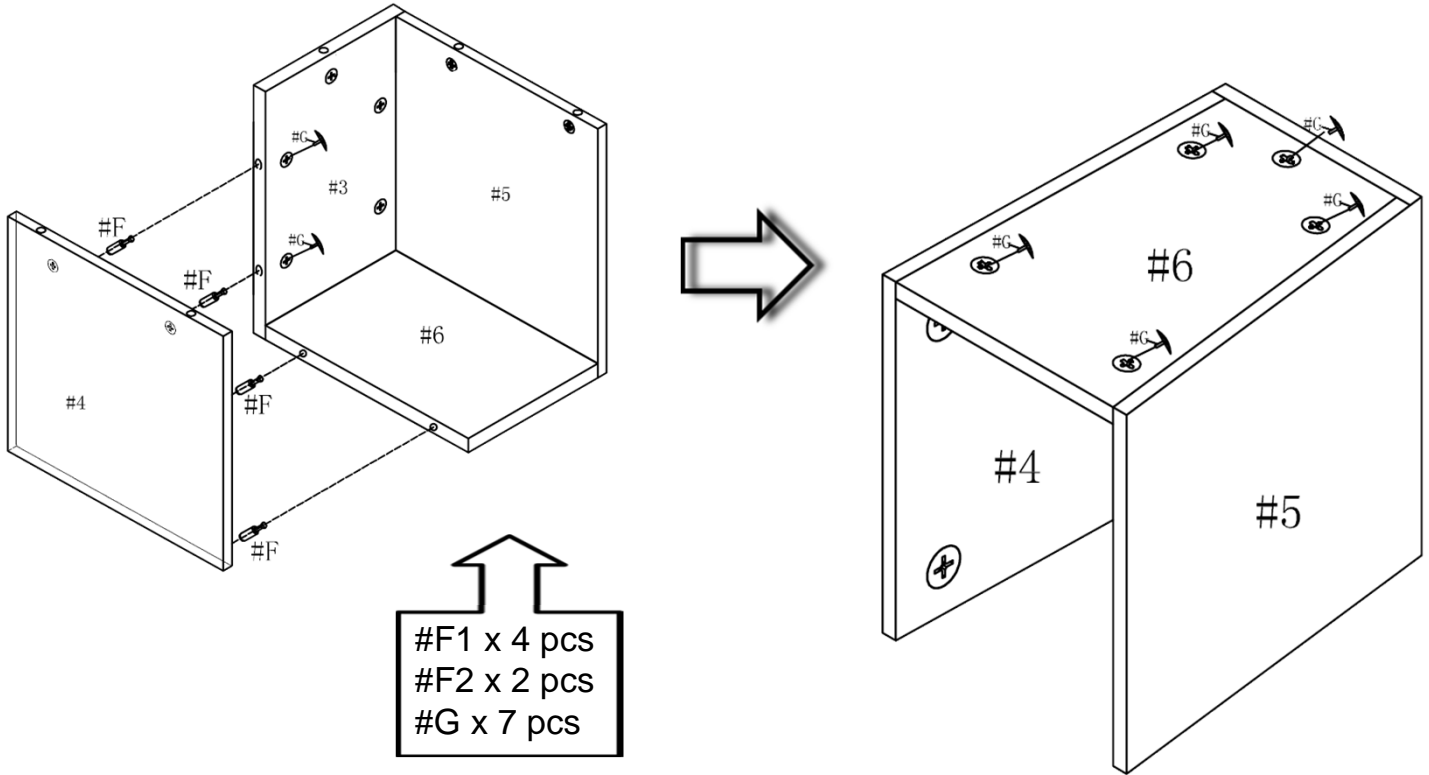


Insert 4 cam bolts (#F1) and 2 cam connectors (#F2) into the right panel (#5). Insert 5 cam connectors (#F2) into the rear panel (#3) and 4 cam connectors (#F2) into the bottom panel (#6). See diagram below and refer to "CAM LOCK FASTENER ASSEMBLY INSTRUCTIONS" for connecting those parts together. Once locked, insert a 2 cam covers (#G) over the 2 cam connectors (#F2) located on the rear panel (#3).



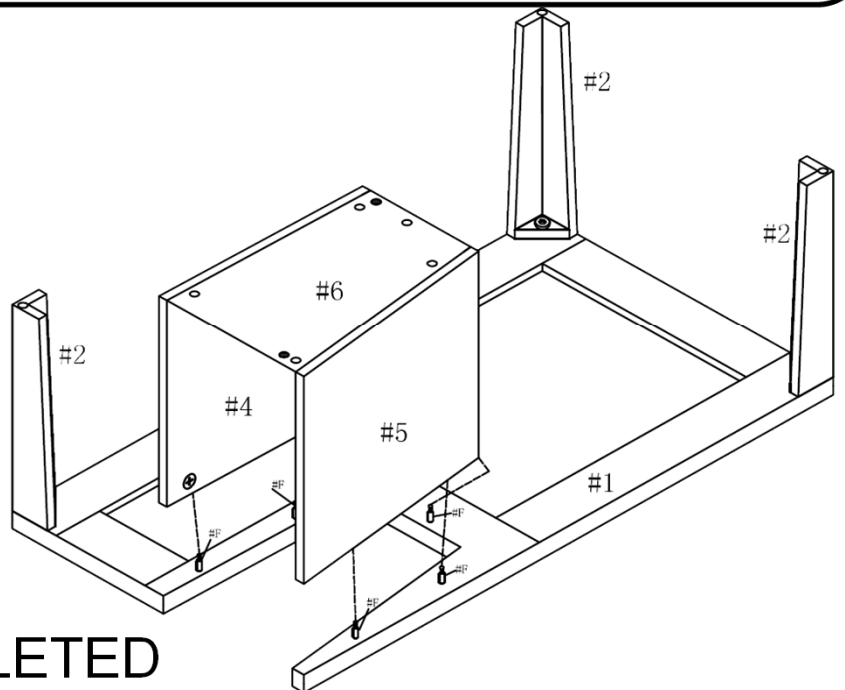


Insert 4 cam bolts (#F1) and 2 cam connectors (#F2) into the left panel (#4). See diagram below and refer to "CAM LOCK FASTENER ASSEMBLY INSTRUCTIONS" for connecting those parts together. Once locked, insert a 7 cam covers (#G) over the 7 cam connectors (#F2) as shown below.



Insert 5 cam bolts (#F1) into the table top (#1). See diagram below and refer to "CAM LOCK FASTENER ASSEMBLY INSTRUCTIONS" for connecting those parts together. Once locked, insert 5 cam covers (#G) over the 5 cam connectors (#F2). Carefully turn the completed table upright. Make sure the table is rested on a flat surface and it does not feel loose or wobbly. If it does, double check that the bolts are secured and properly tighten.

#F1 x 5 pcs
#G x 5 pcs



ASSEMBLY IS COMPLETED