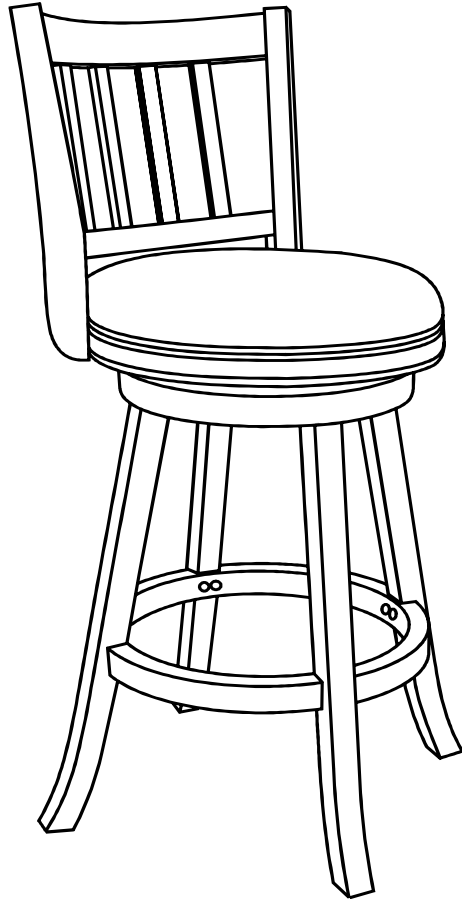


---

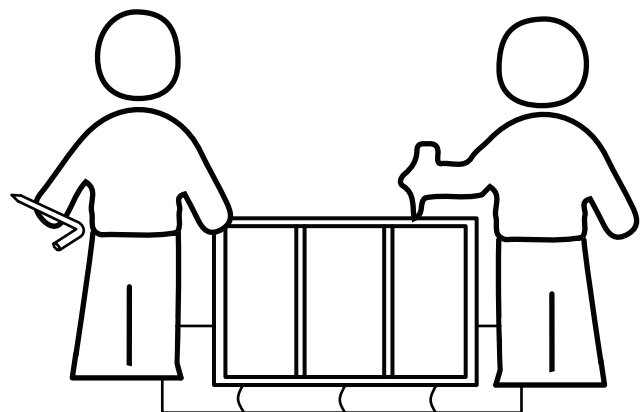
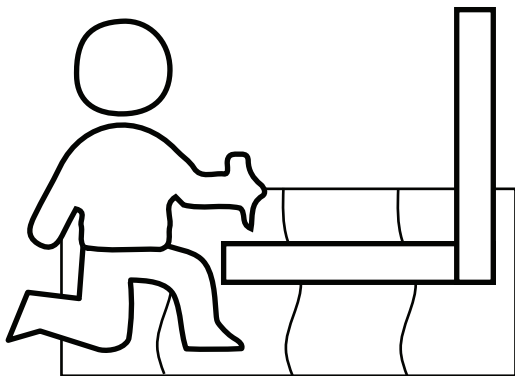
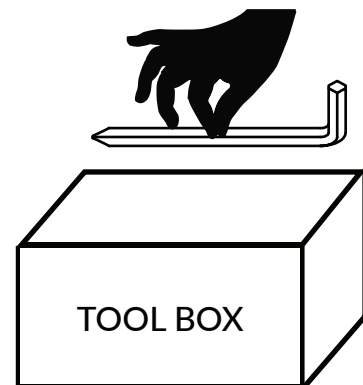
## SWIVEL STOOL



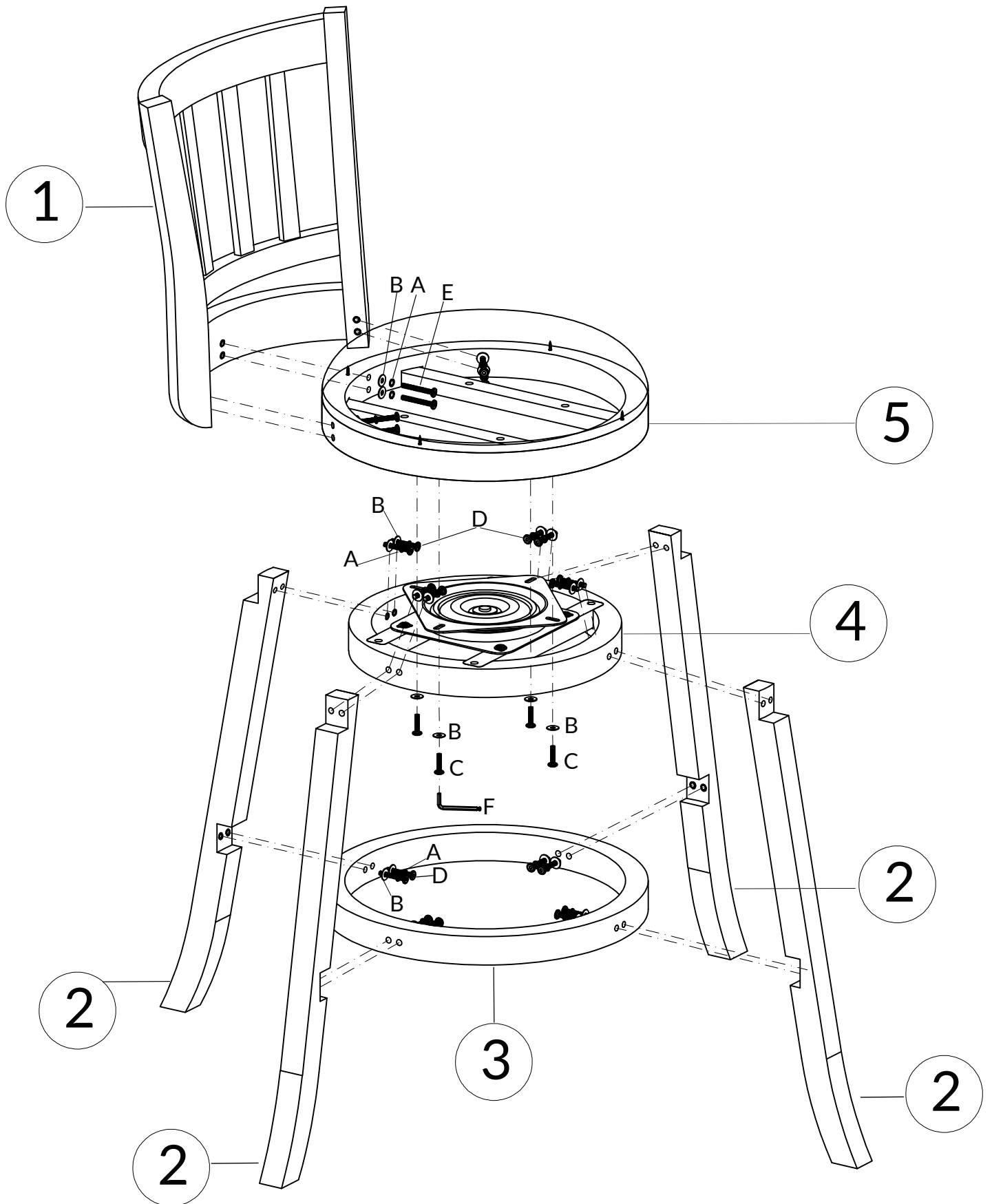
Weight Capacity

# Assembly And Care

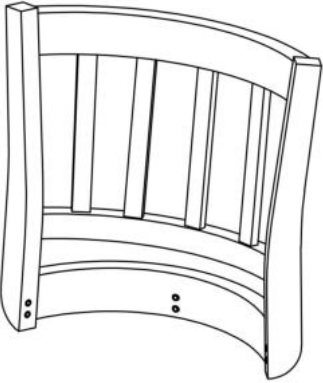
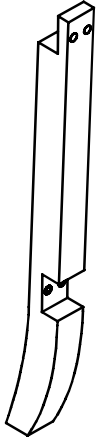
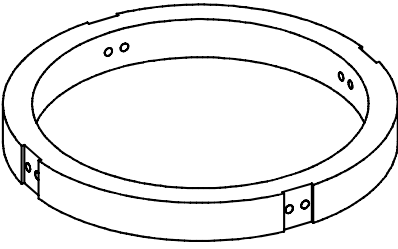
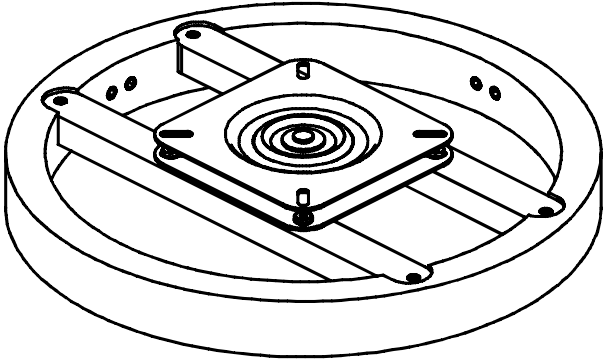
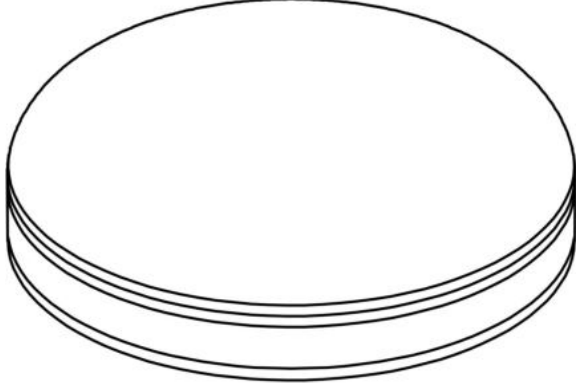
- All required tools for assembly are included unless noted.
- Locate and inspect all parts for missing items or damage prior to assembly.
- Do not dispose of packing materials until assembly is completed.
- Assemble item on a soft, clean surface to prevent damage to the item.
- Proper assembly requires 2 people.




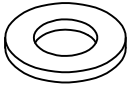
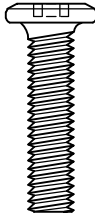
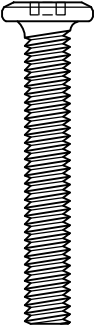
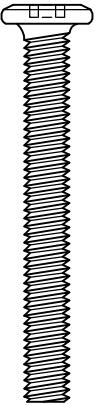

# Assembly Overview



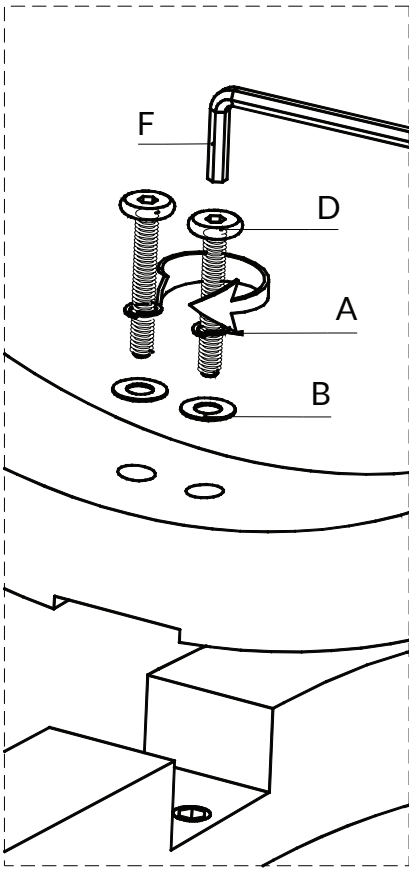
# PARTS

<p>①(x1)</p>	<p>②(x4)</p>	<p>③(x1)</p>
<p><b>Backrest :</b></p> 	<p><b>Legs :</b></p> 	<p><b>Footrest :</b></p> 
<p>④(x1)</p>		<p>⑤(x1)</p>
<p><b>Apron With Swivel Plate :</b></p> 	<p><b>Seat Cushion :</b></p> 	

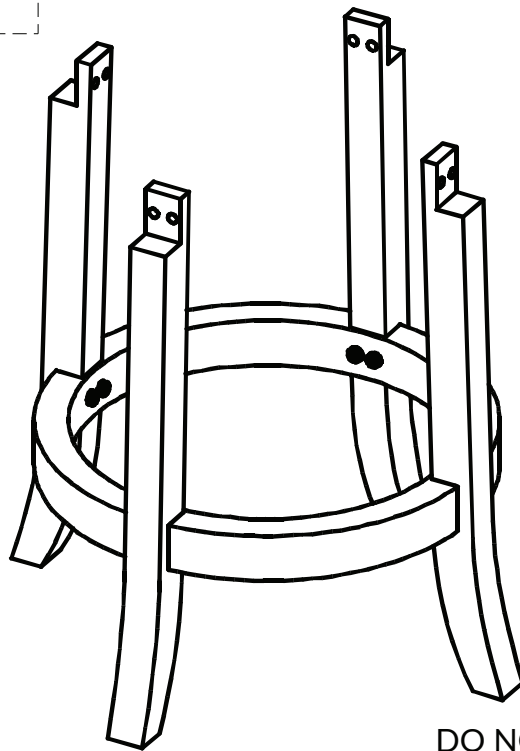
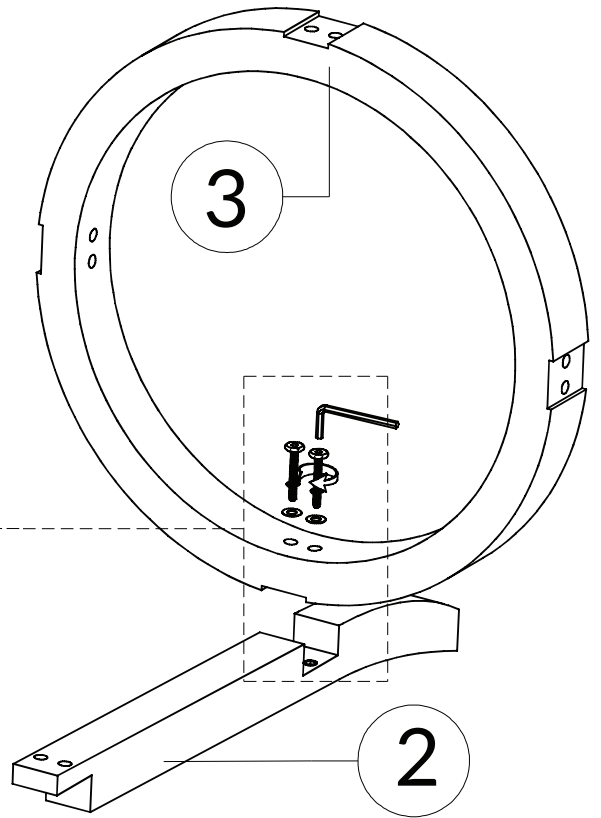
# HARDWARE

<p>Ⓐ(x22)</p>	<p>Ⓑ(x26)</p>	<p>Ⓒ(x4)</p>	<p>Ⓓ(x16)</p>	<p>Ⓔ(x6)</p>	<p>Ⓕ(x1)</p>
					
<p>Spring Washer M6*10</p>	<p>Flat Washer M6*16</p>	<p>Bolt M6*25</p>	<p>Bolt M6*40</p>	<p>Bolt M6*50</p>	<p>Allen Wrench M4*110</p>

# 01



4X

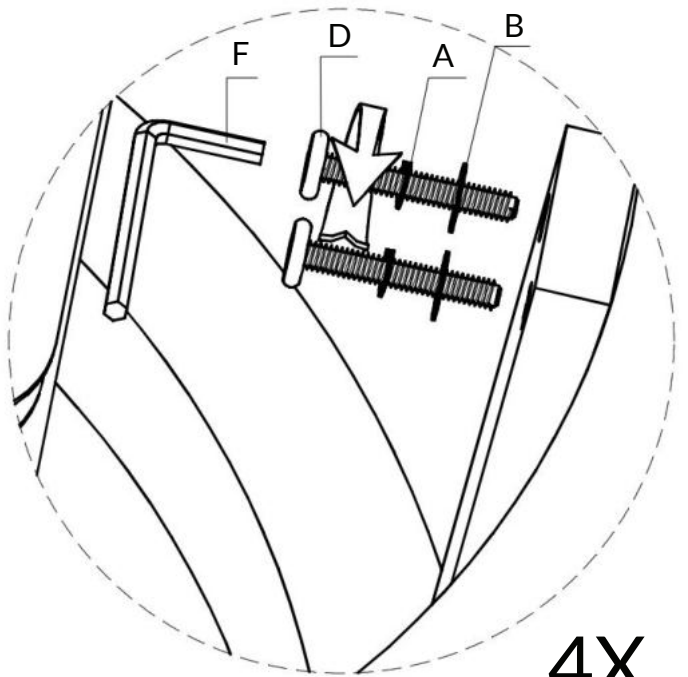
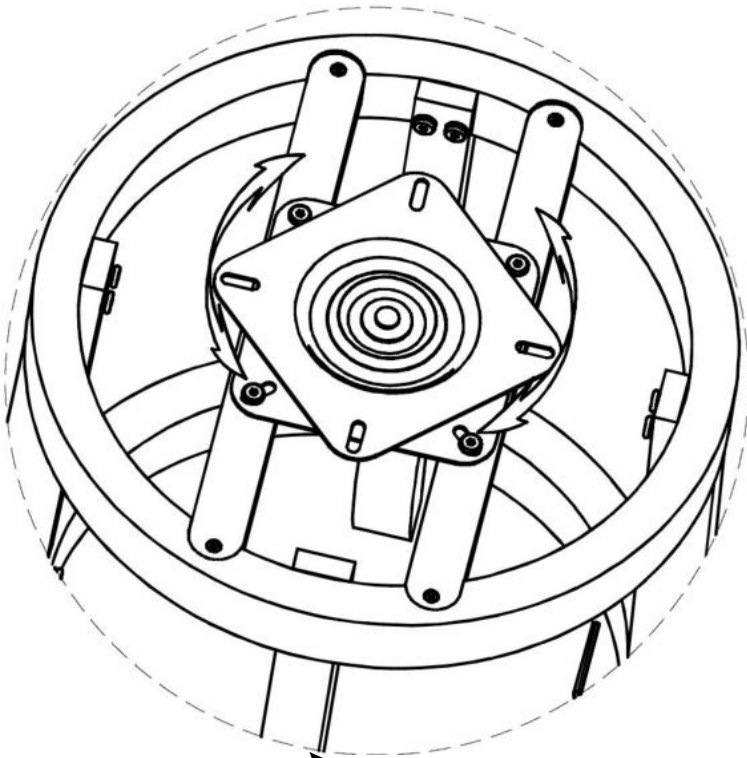


Hardware	Count
A	8
B	8
D	8
F	1

DO NOT TIGHTEN BOLT COMPLETELY.

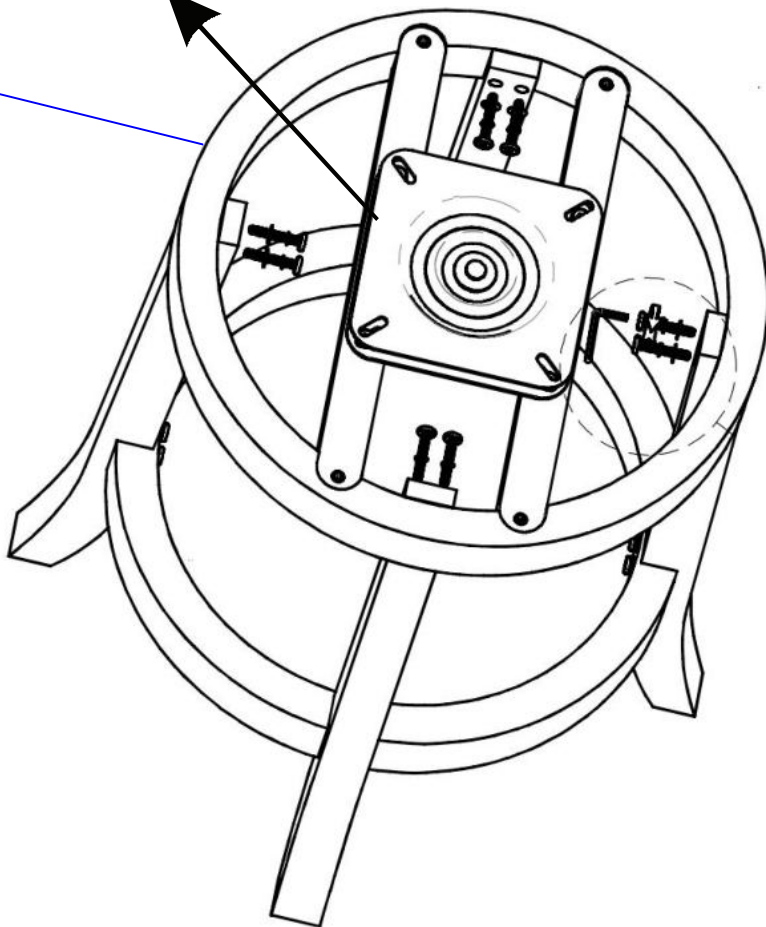
Please make sure that the protective metal kick plate from Footrest (Part #3) is facing upwards. Remove the white Tape from the protective metal kick plate before using.

# 02



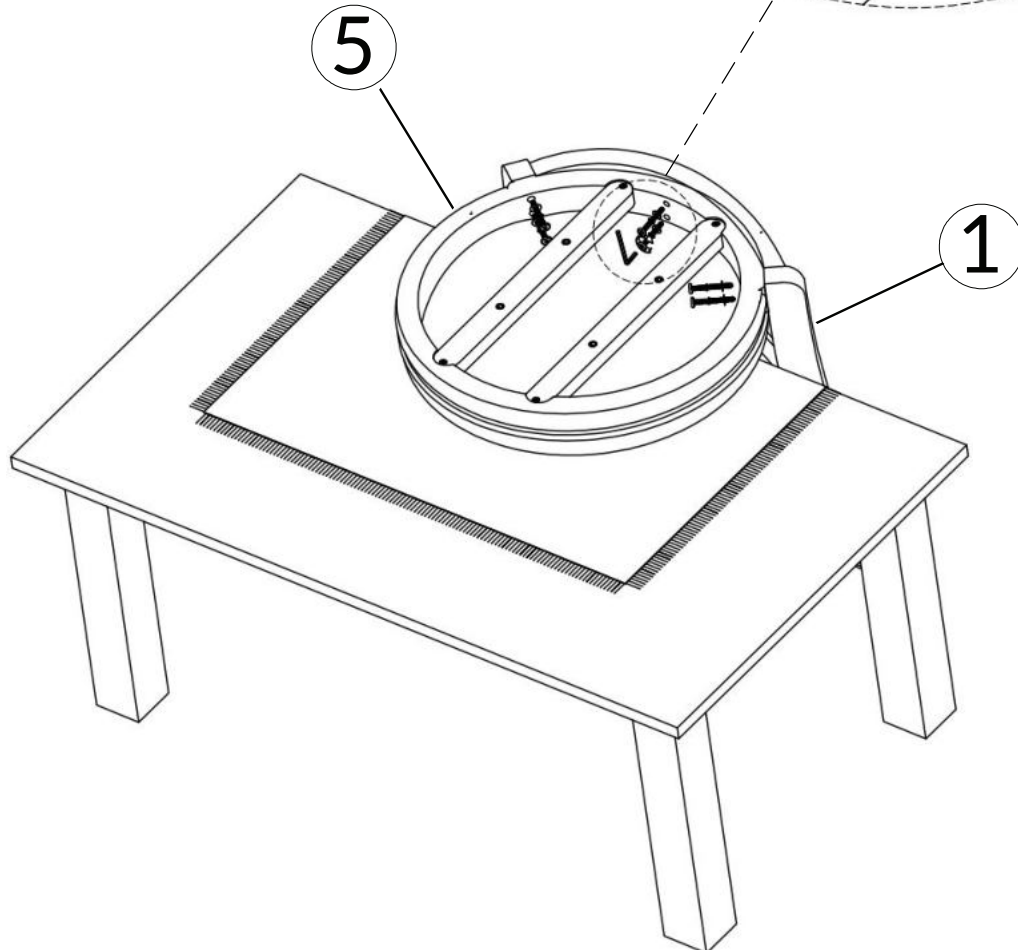
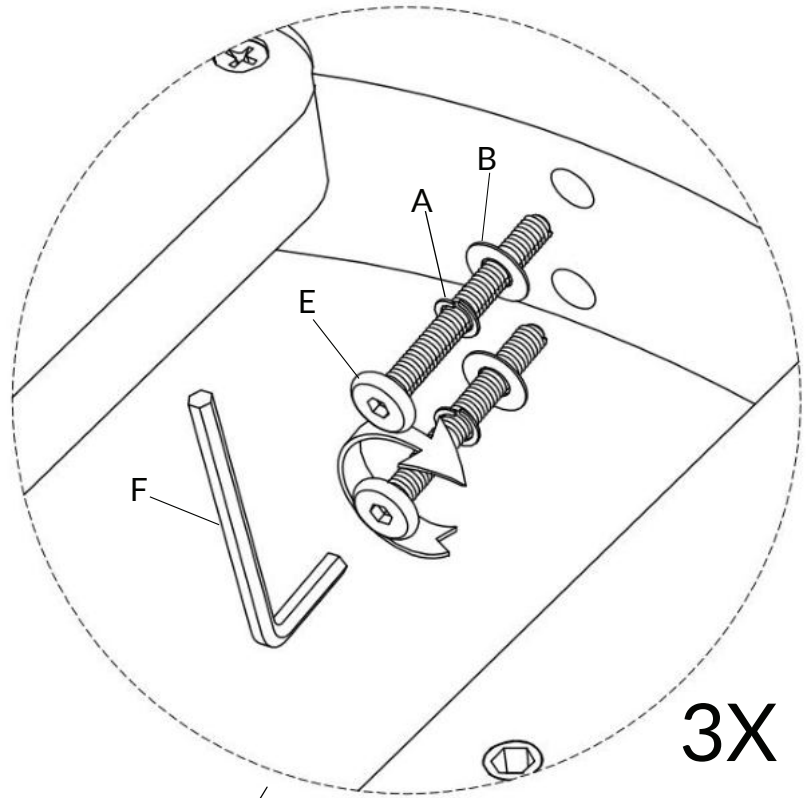
4X

4



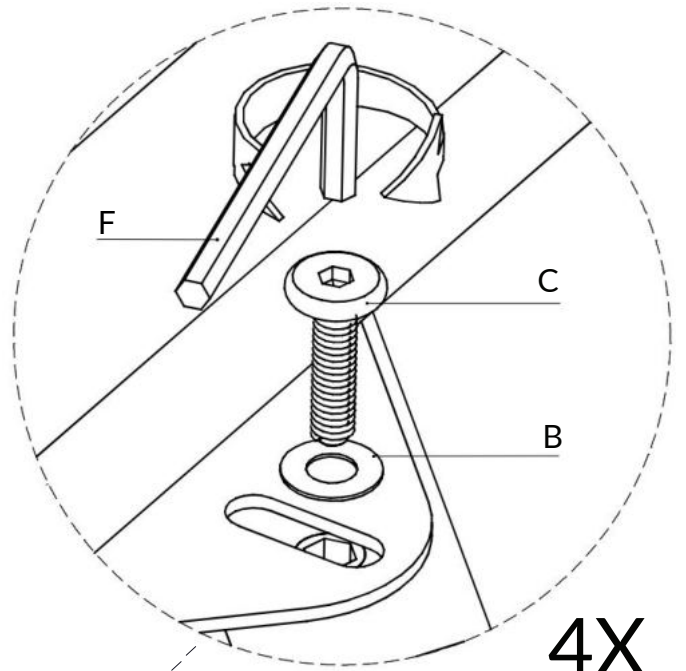
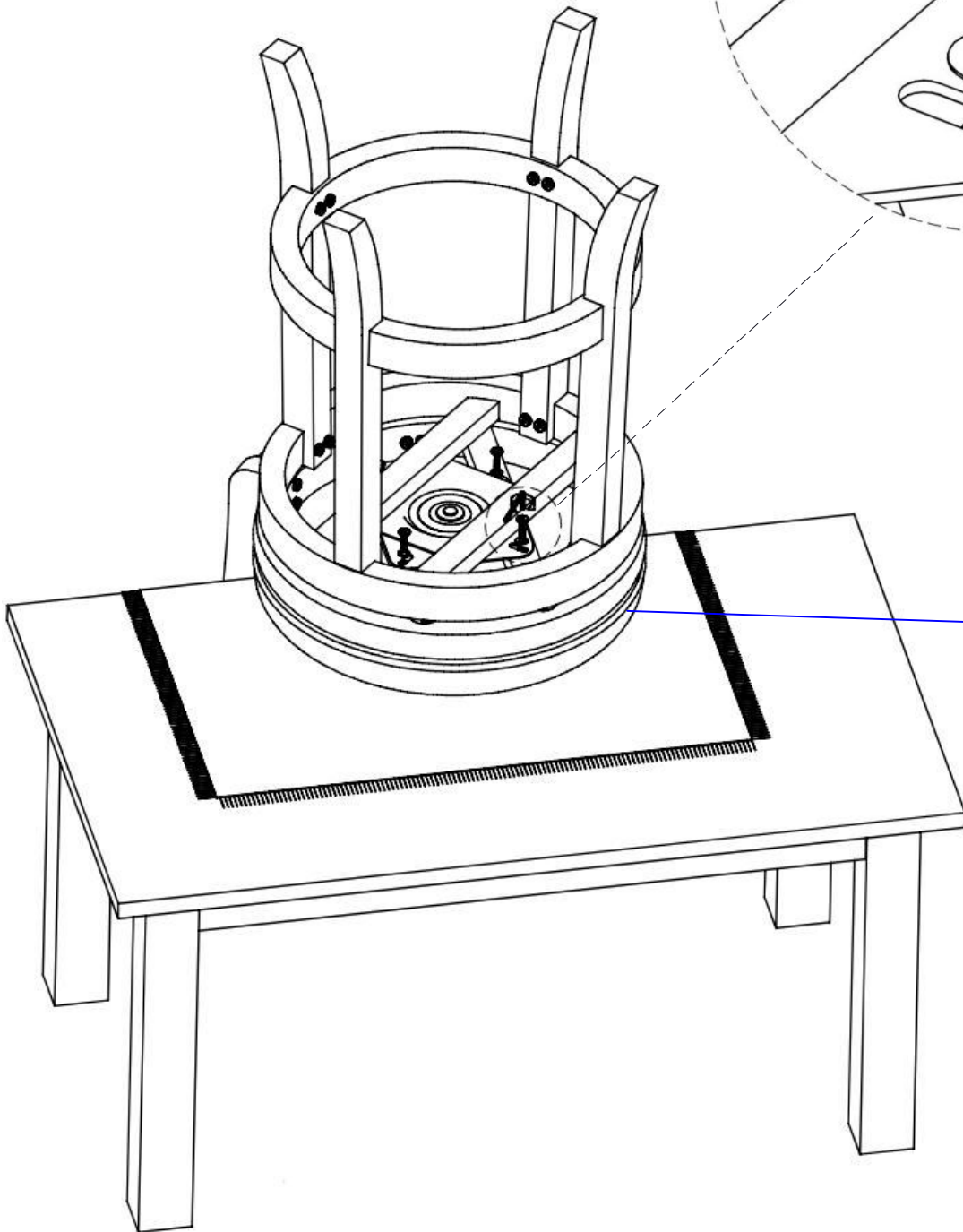
Hardware	Count
A	8
B	8
D	8
F	1

# 03



Hardware	Count
A	6
B	6
E	6
F	1

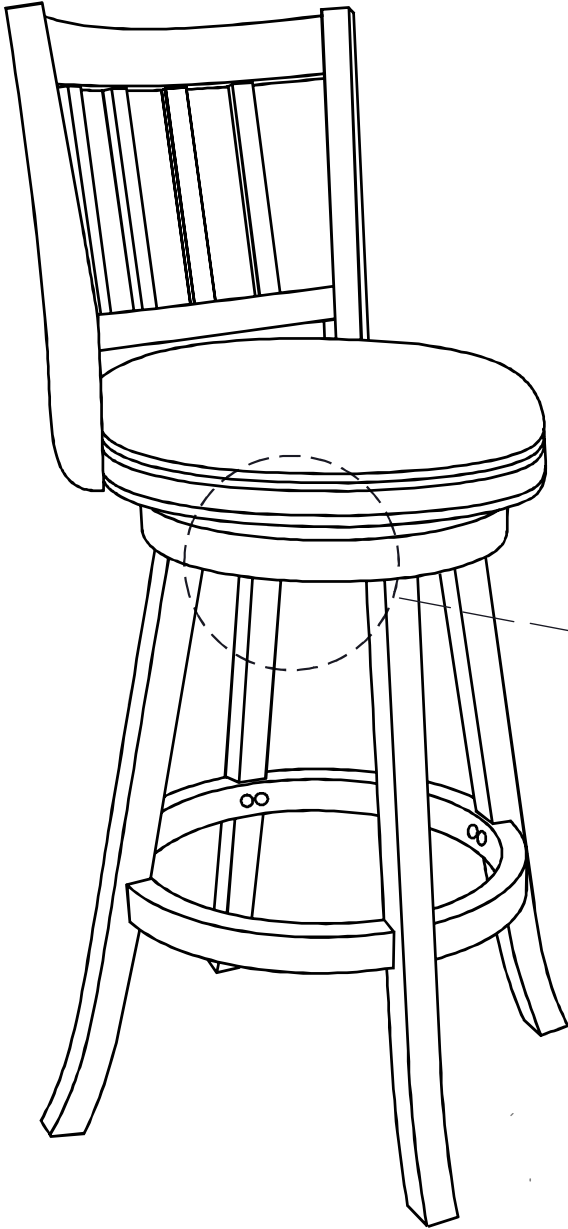
# 04



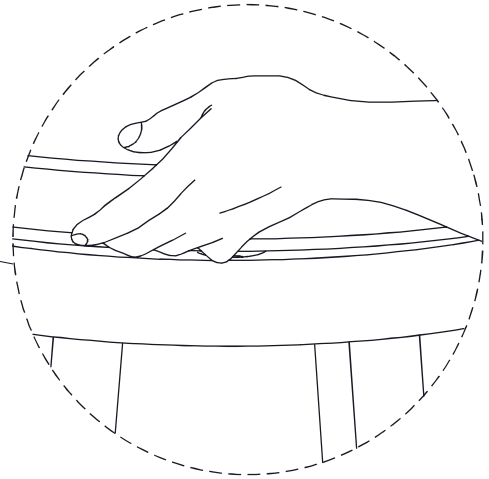
4X

5

Hardware	Count
B	4
C	4
F	1



Weight Capacity



**BE SURE TO CHECK ALL BOLTS ARE SECURELY TIGHTENED PRIOR TO USE.**