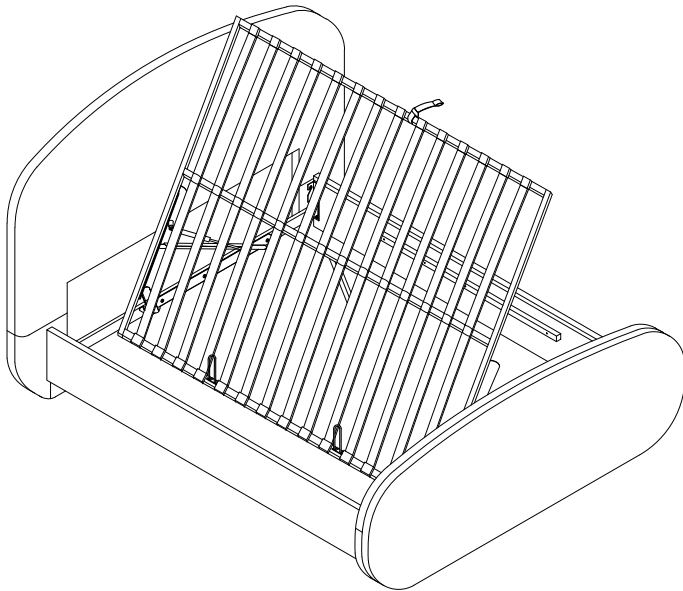


ASSEMBLY INSTRUCTION

Full Size

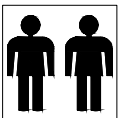


Please **TEAR OFF** this shrink film from side!
DO NOT USE CUTTER!

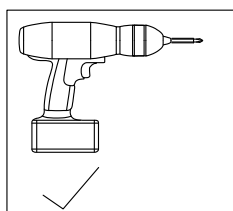
ITEM NUMBER: BH013

IMPORTANT NOTE

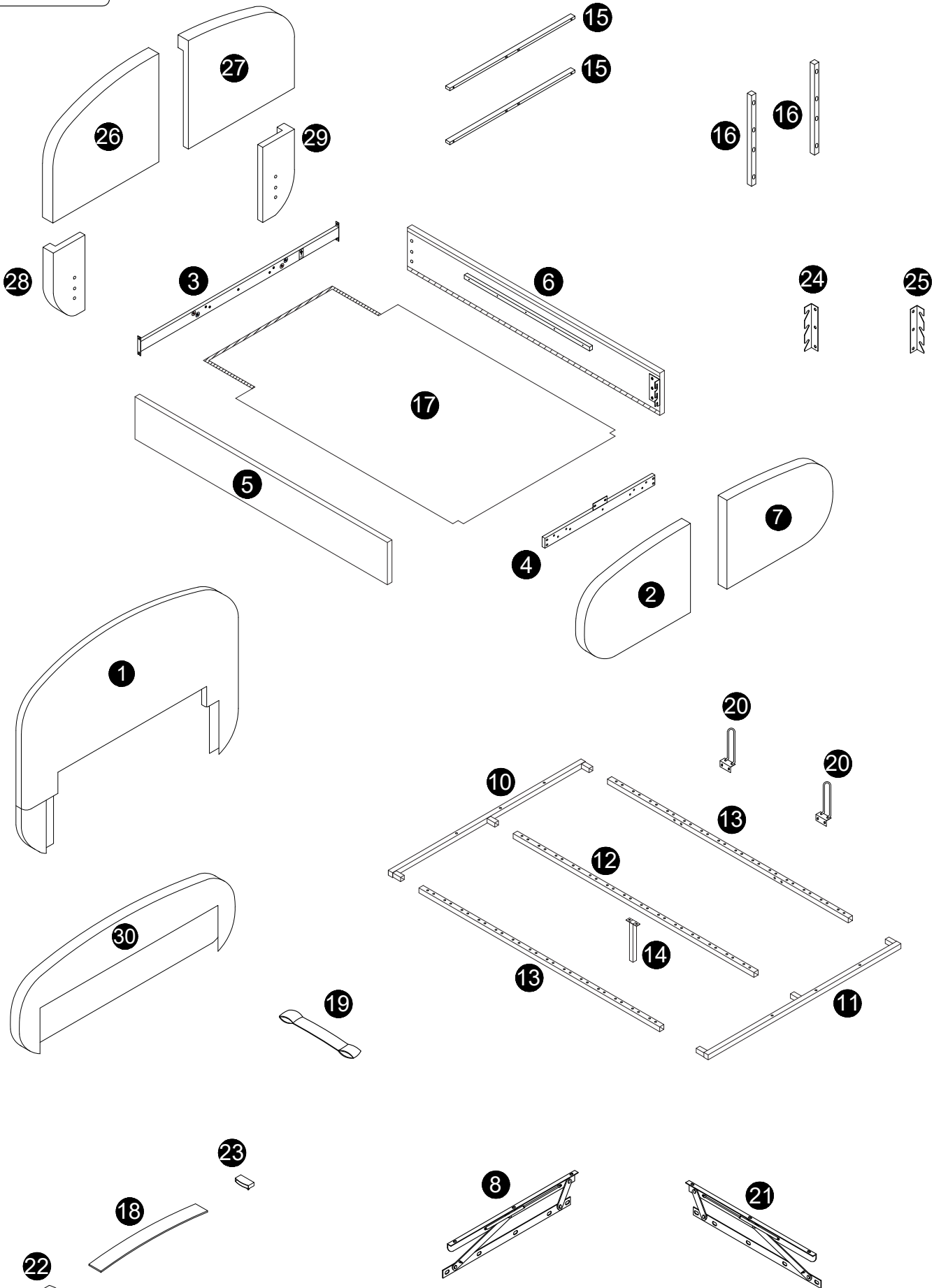
1. For the protection of your furniture, place all parts on a clean and smooth surface to prevent any damage.
2. Keep fittings out of children's reach and keep children well away from construction area.
3. When moving your assembled bed, it is best to lift the bed and never to drag it.
4. Do not use this product if parts are missing, damaged or worn.
5. This product should only be used on firm, level ground.
6. Please periodically check all fittings and re-tighten as necessary.
7. Do not use the bed unless all bolts and screws are firmly secured.
8. For further assistance, please provide a screenshot of your order and contact us via email at support@velocavabed.com



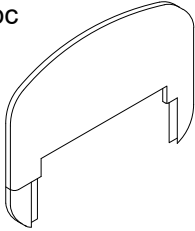
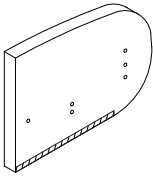
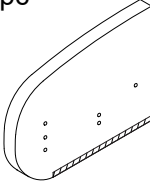
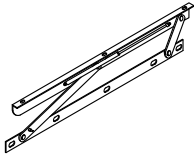
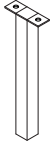
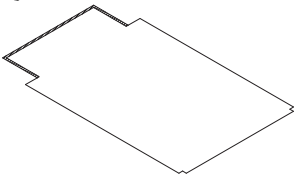
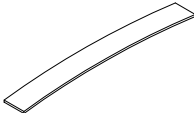
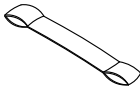

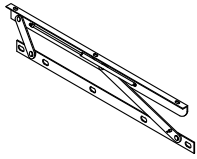

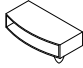
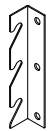

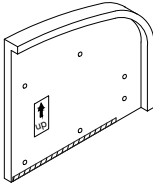
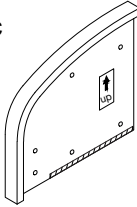
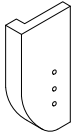
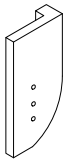
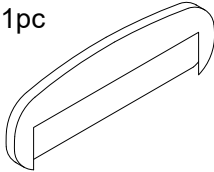
Minimum two
person assembly



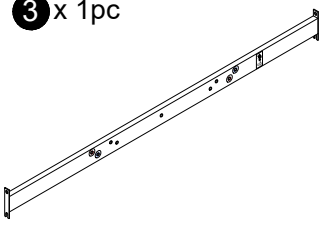
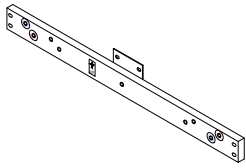
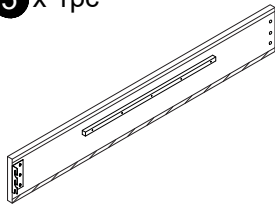
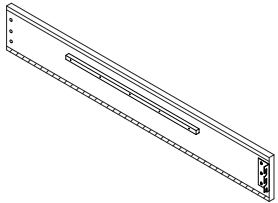
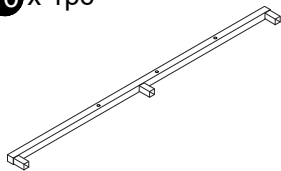
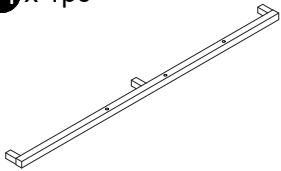
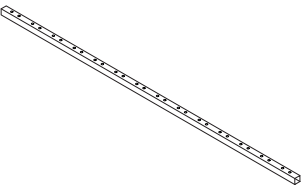
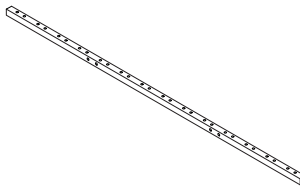
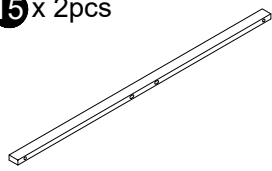

PART LIST




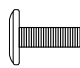

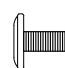


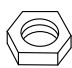


Components of Carton A

1 x 1pc 	2 x 1pc 	7 x 1pc 	8 x 1pc 
14 x 1pc (25x220) 	17 x 1pc 	18 x 28pcs 	19 x 1pc 
20 x 2pcs 	21 x 1pc 	22 x 14pcs 	23 x 28pcs 
24 x 1pc 	25 x 1pc 	26 x 1pc 	27 x 1pc 
28 x 1pc 	29 x 1pc 	30 x 1pc 	

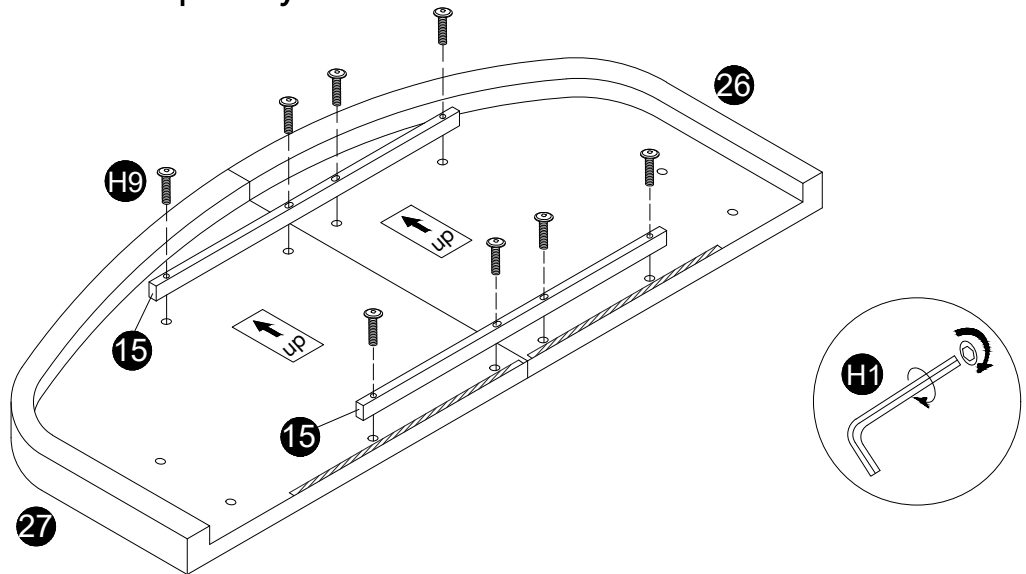
Components of Carton B

3 x 1pc 	4 x 1pc 	5 x 1pc 	6 x 1pc 
10 x 1pc 	11 x 1pc 	12 x 1pc 	13 x 2pcs 
15 x 2pcs 	16 x 2pcs 		

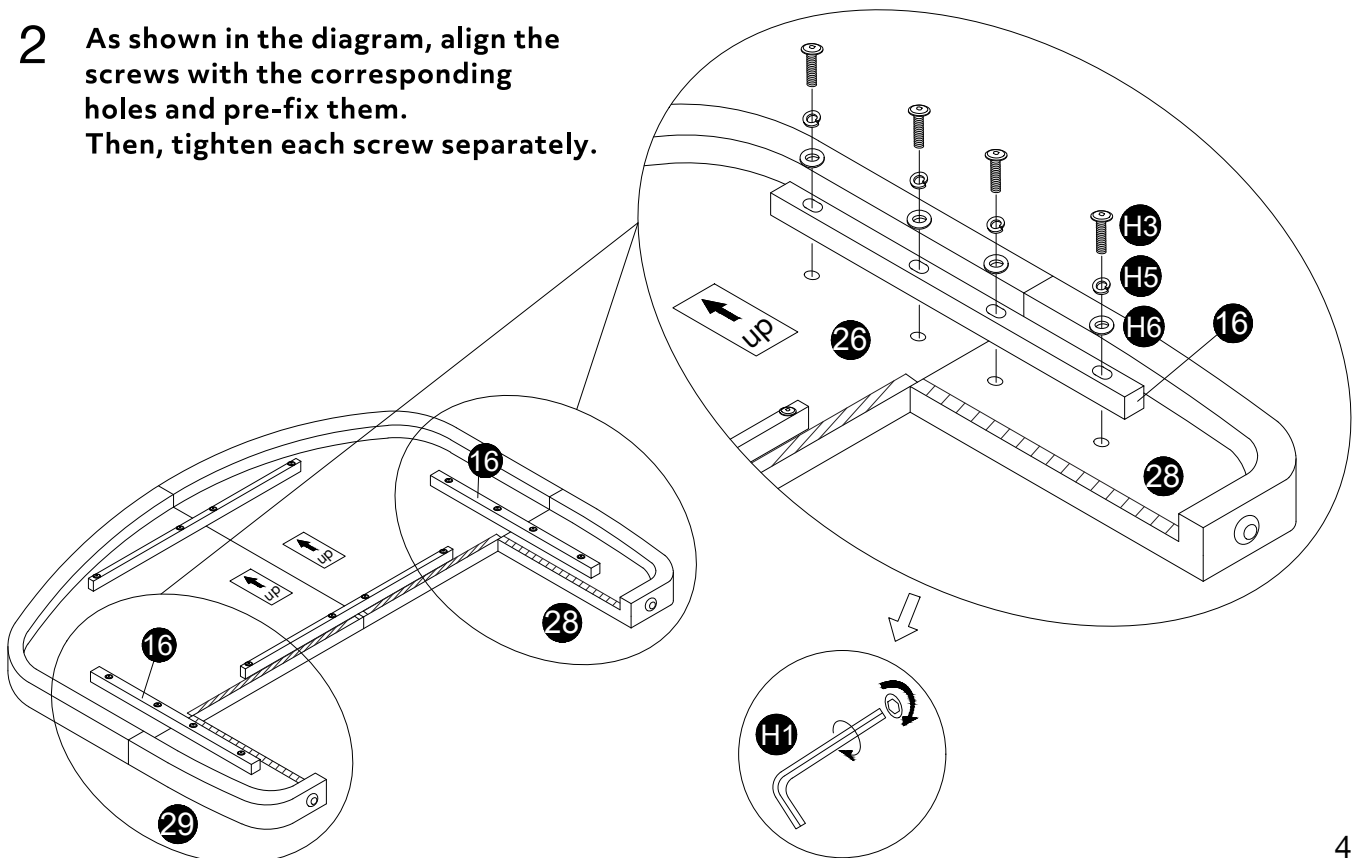
HARDWARE LIST

 H1 M5 x 1pc	 H2 M8x30mm x 20pcs	 H3 M8x50mm x 14pcs	 H4 M8x20mm x 28pcs
 H5 M8 x 18pcs	 H6 M8x22mm x 22pcs	 H7 M8 x 6pcs	 H8 M14 x 1pc
			 H9 M8x40mm x 12pcs

- 1** As shown in the diagram, align the screws with the corresponding holes and pre-fix them. Then, tighten each screw separately.

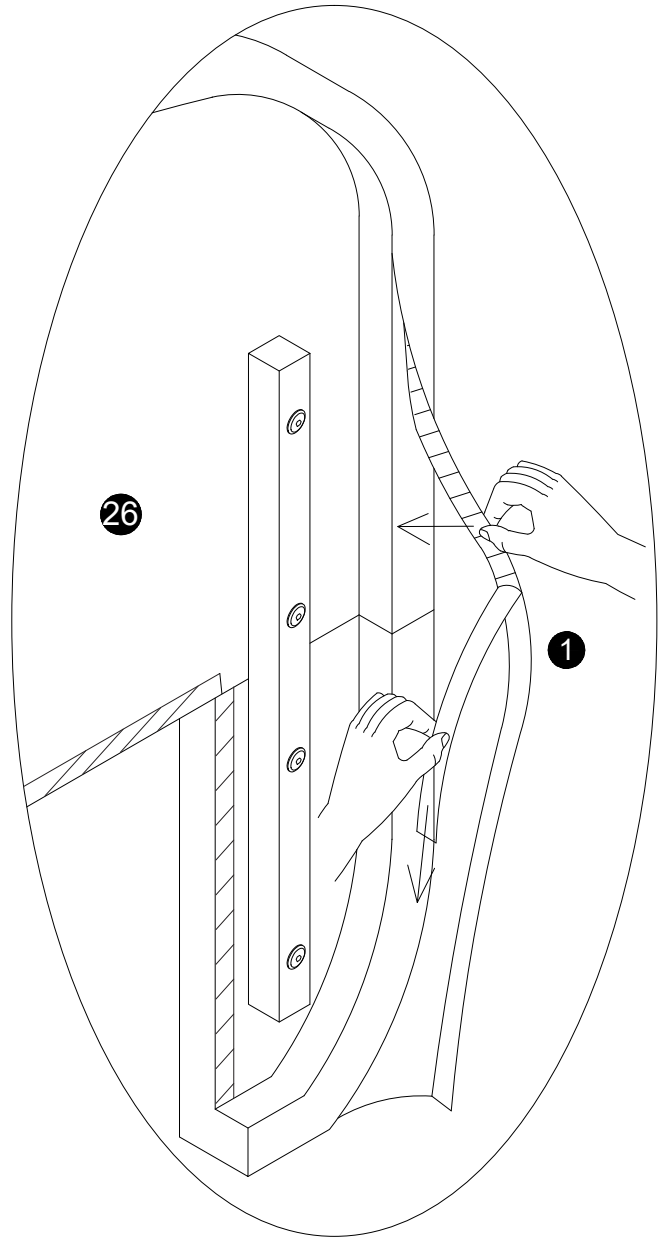
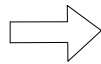
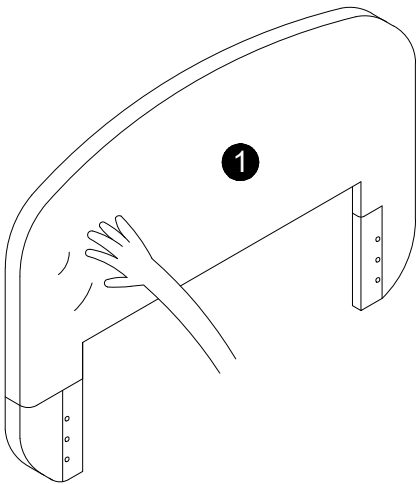
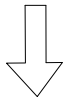
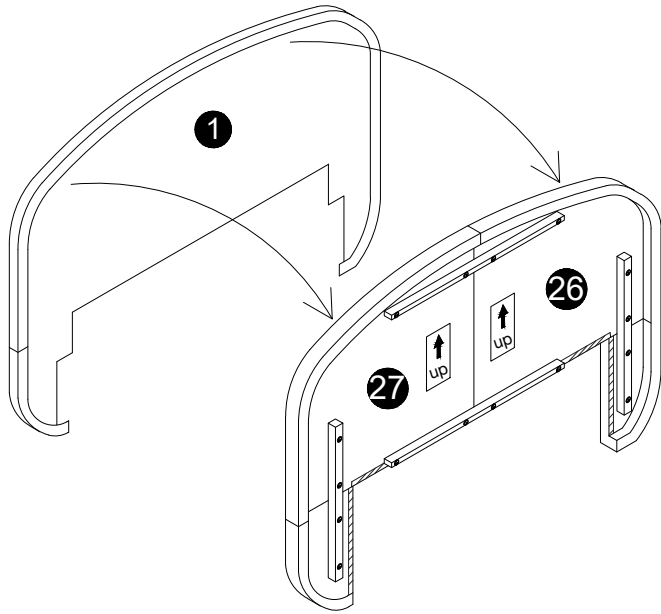


- 2** As shown in the diagram, align the screws with the corresponding holes and pre-fix them. Then, tighten each screw separately.



3

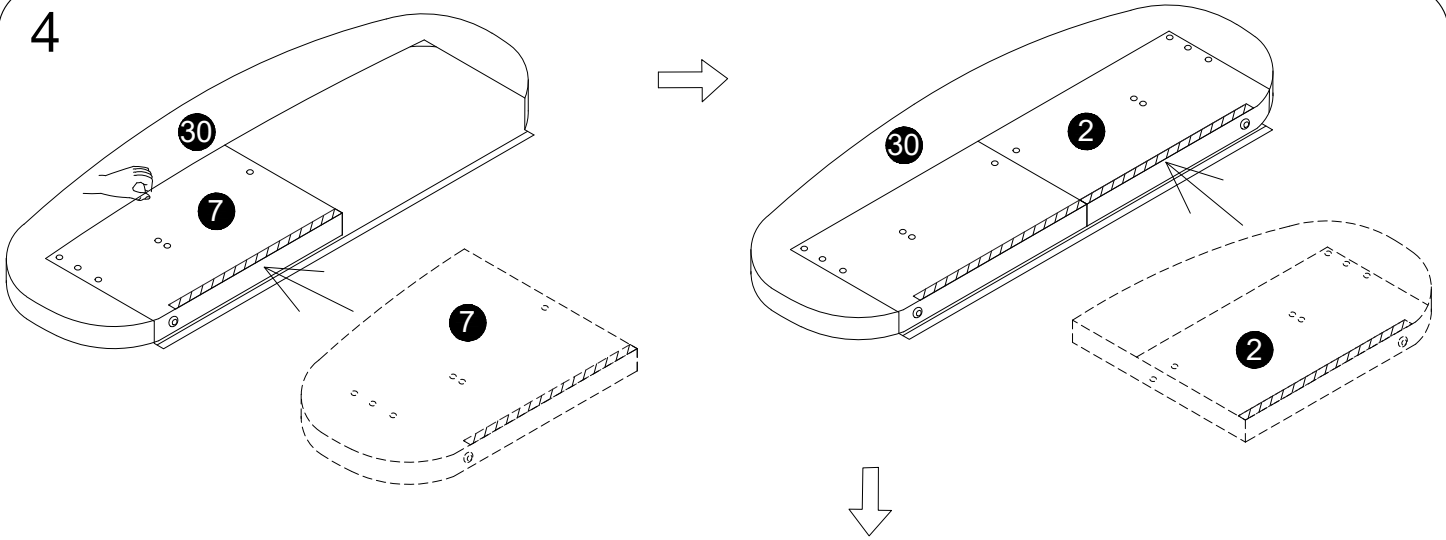
Slide the fabric cover (Part 1) over the headboard until it reaches the bottom, ensuring a full and secure fit.



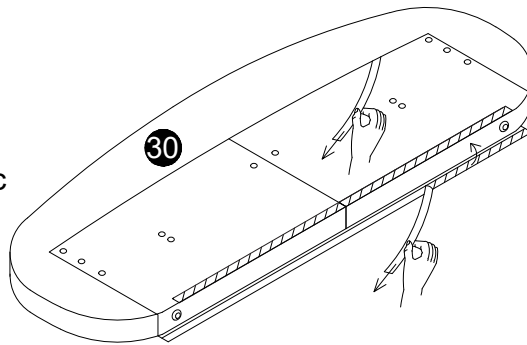
Smooth out any uneven areas or wrinkles by hand for a neat appearance.

At the back of the Part 1, peel away the fabric strip covering the Velcro while pressing the Velcro firmly onto the headboard.

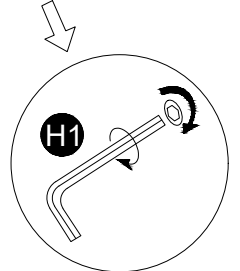
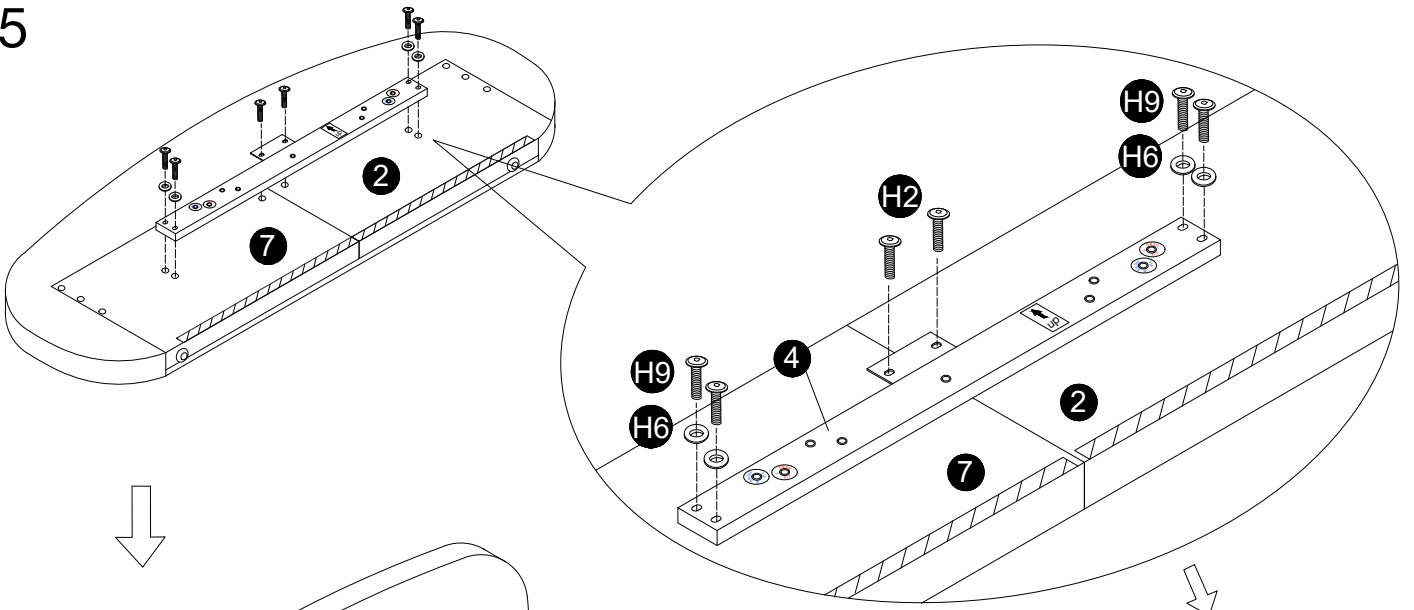
4



At the back of the Part 30, peel away the fabric strip covering the Velcro while pressing the Velcro firmly onto the footboard.



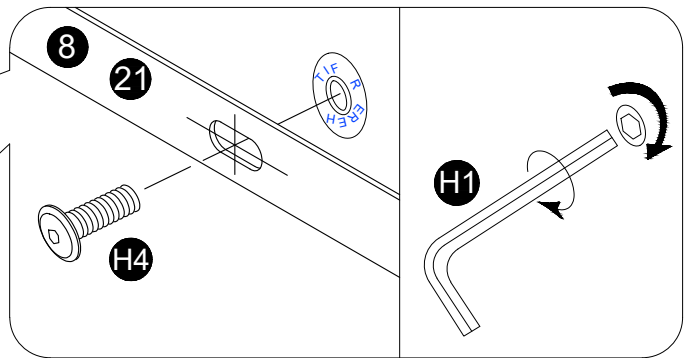
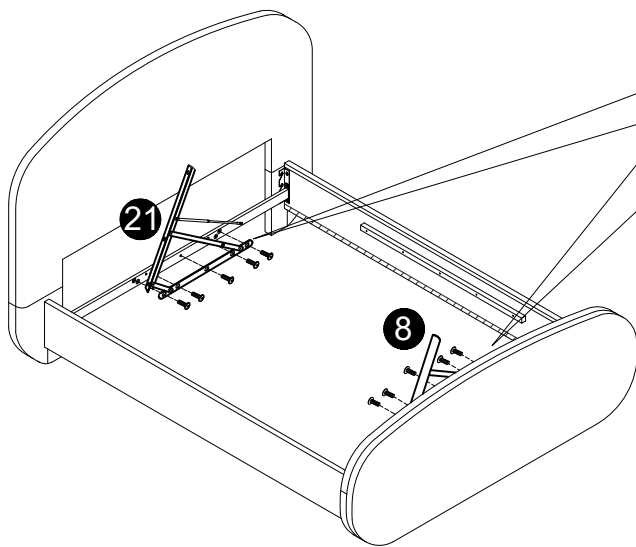
5



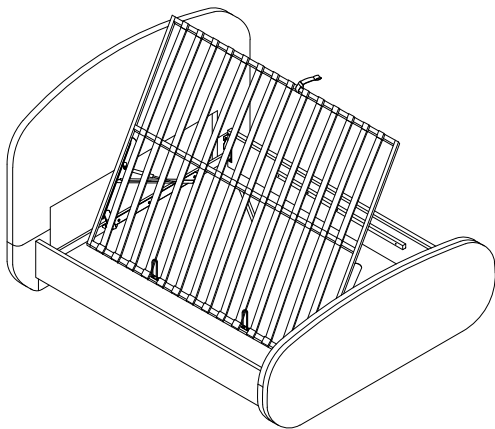
As shown in the diagram, align the screws with the corresponding holes and pre-fix them. Then, tighten each screw separately.

9a

Opening from right side



Beware of risk of entrapment from folding hinges!

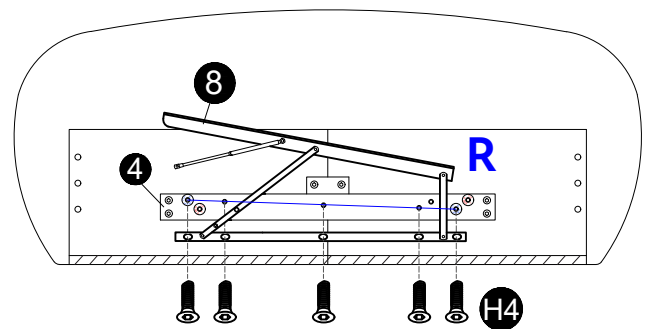
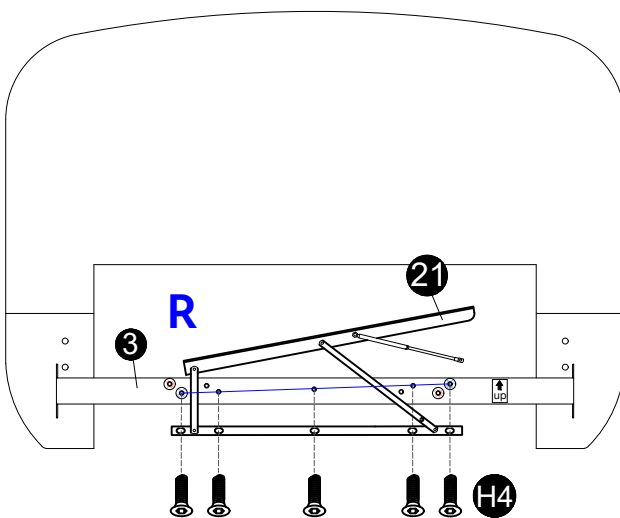


Important

Use fixing holes with blue stickers

Headboard fixing holes position

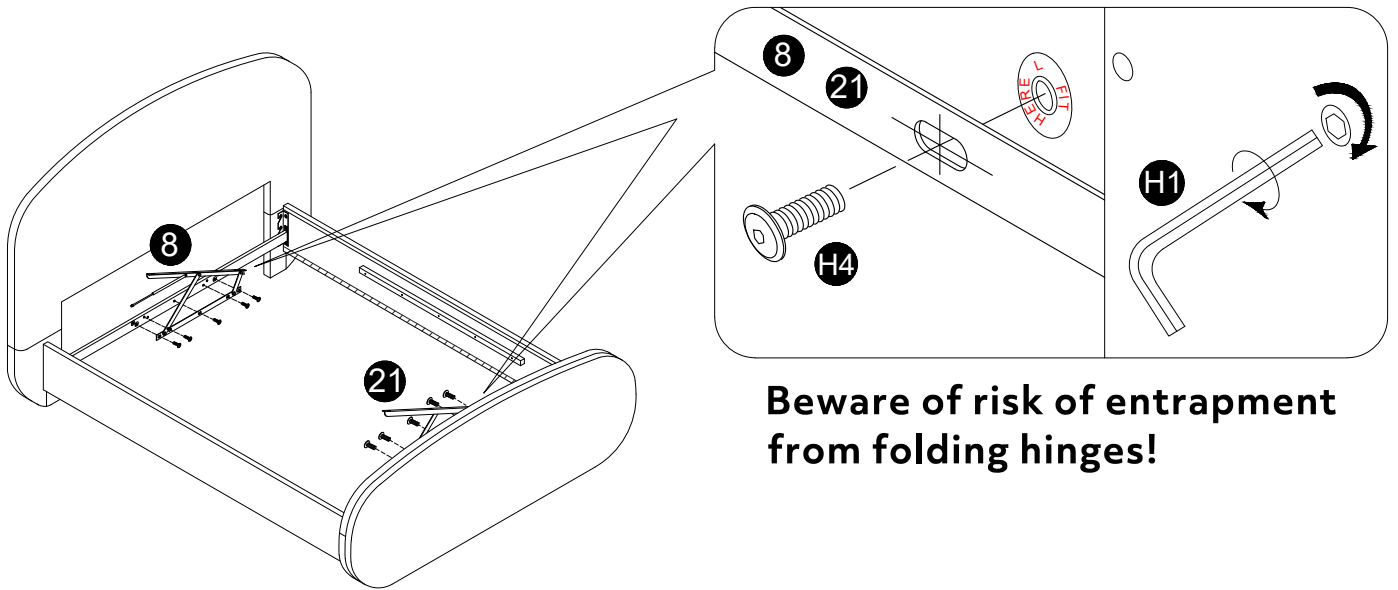
Footboard fixing holes position



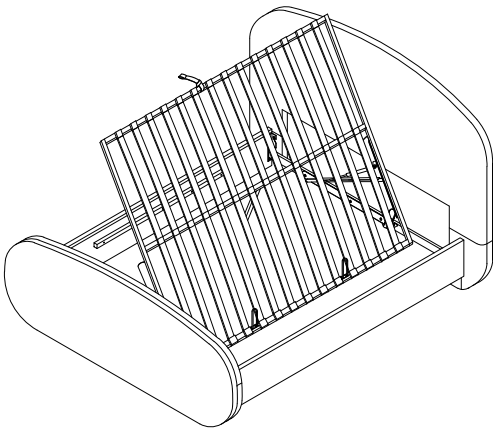
As shown in the diagram, align the screws with the corresponding holes and pre-fix them. Then, tighten each screw separately.

9b

Opening from left side



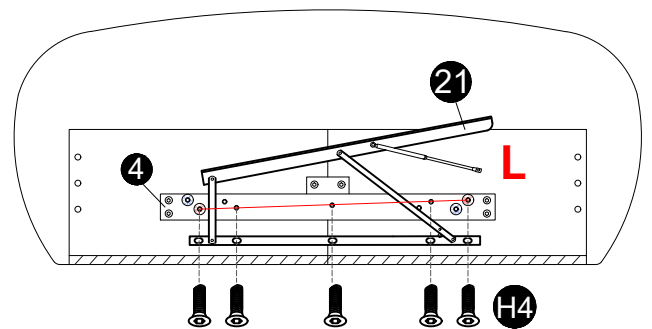
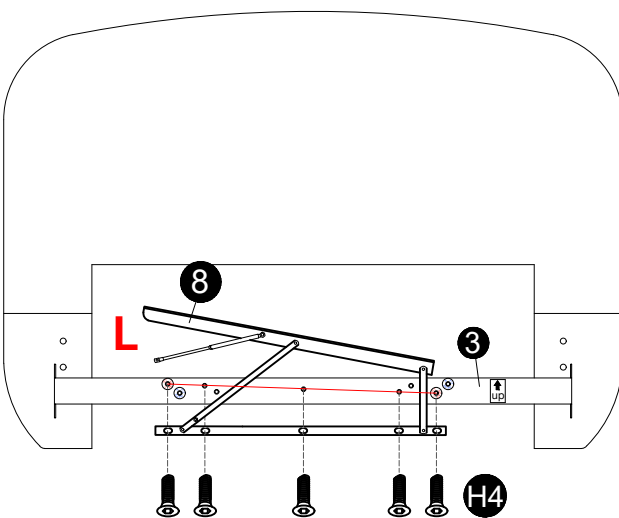
**Beware of risk of entrapment
from folding hinges!**



Important
Use fixing holes with red stickers

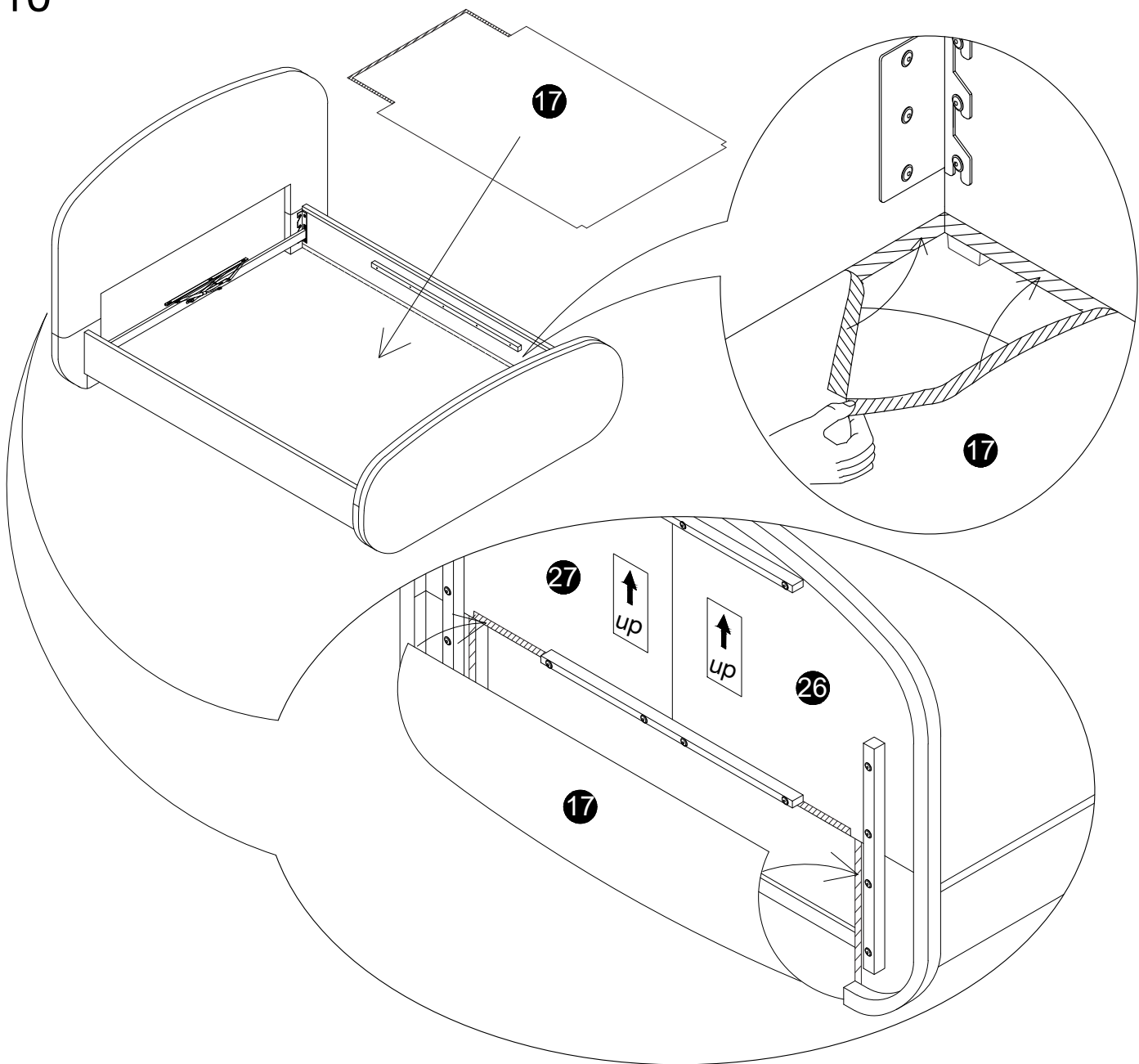
Headboard fixing holes position

Footboard fixing holes position

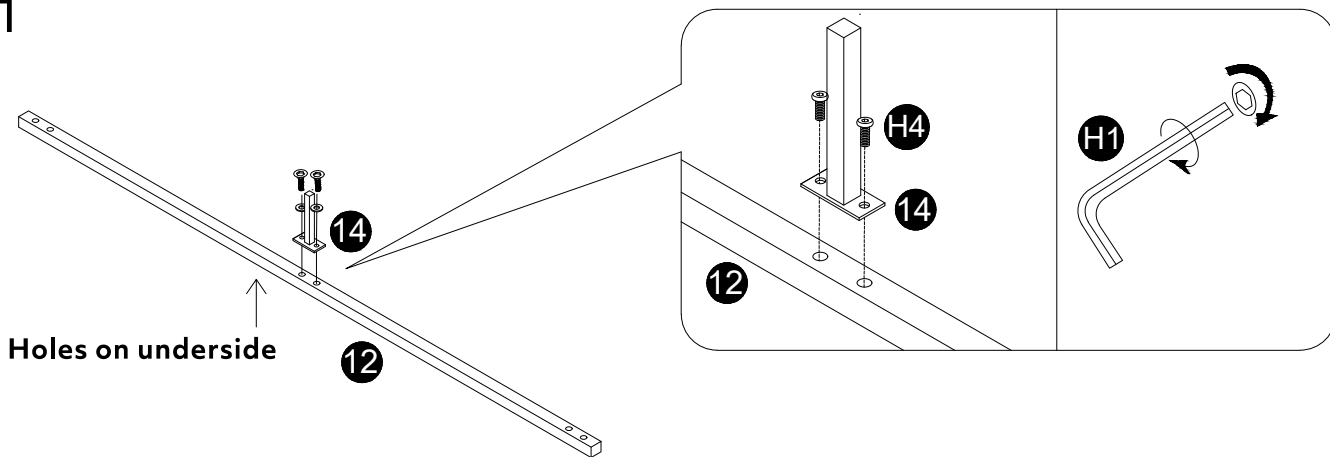


As shown in the diagram, align the screws with the corresponding holes and pre-fix them. Then, tighten each screw separately.

10



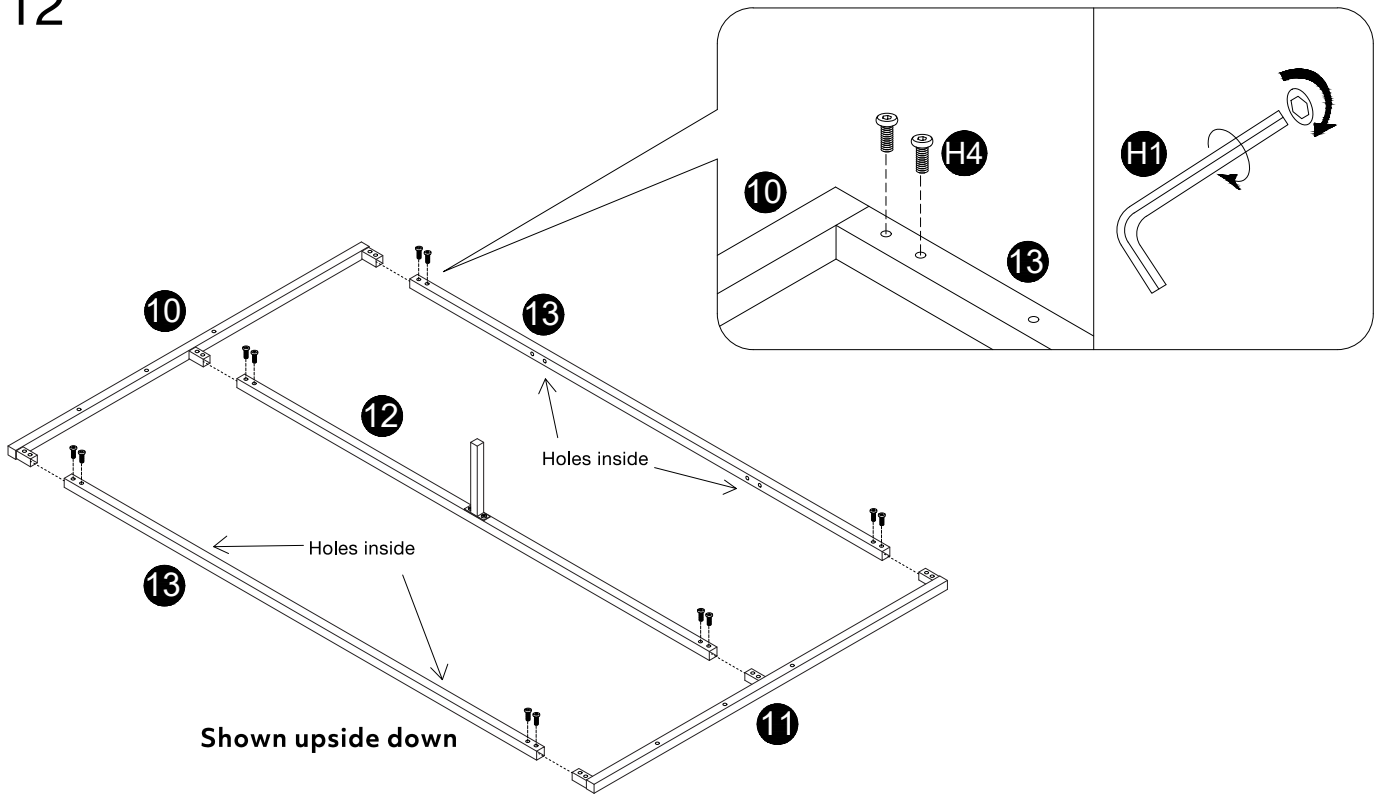
11



Holes on underside

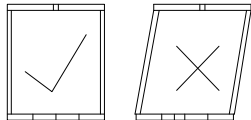
Shown upside down

12

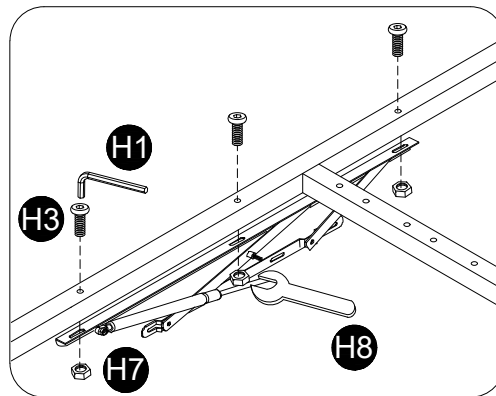


13

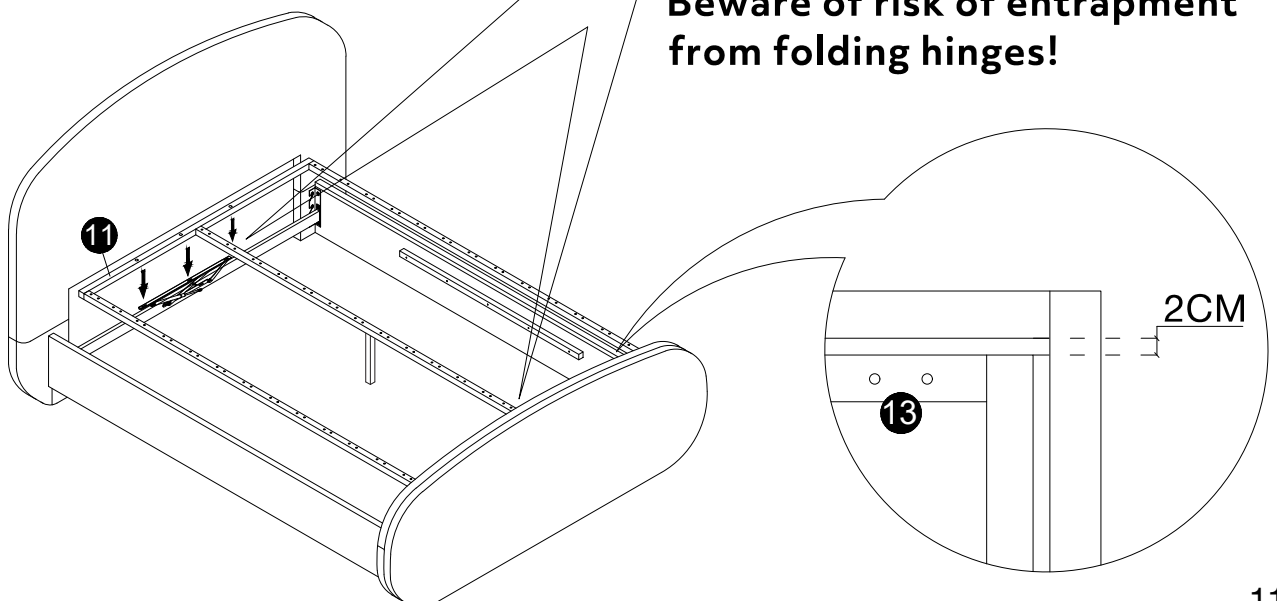
Two people required



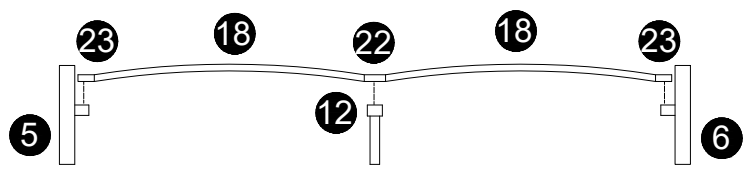
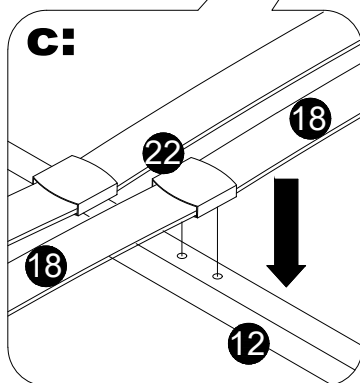
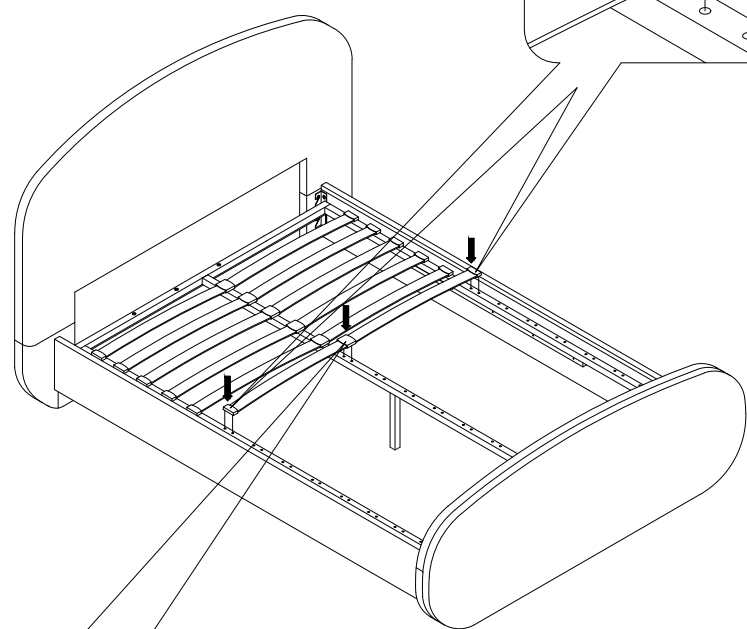
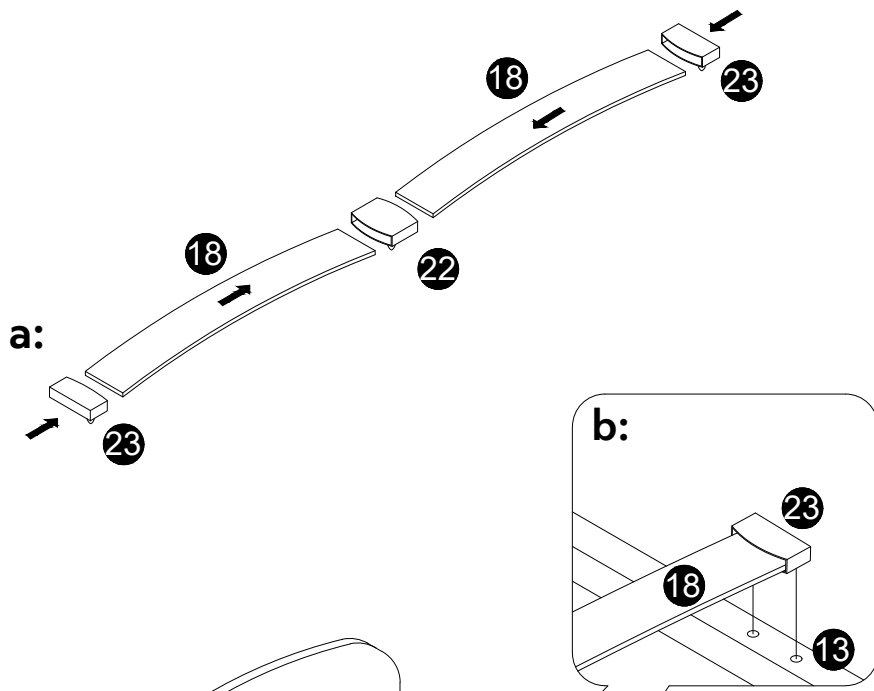
Ensure frame is square



Beware of risk of entrapment from folding hinges!



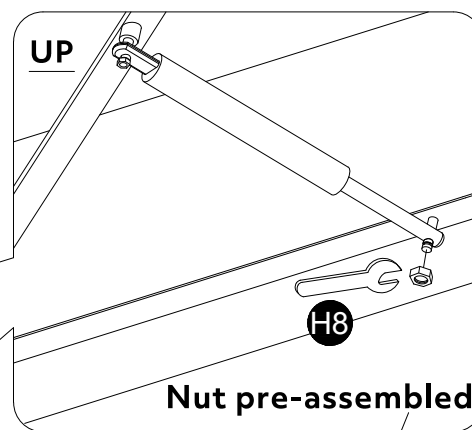
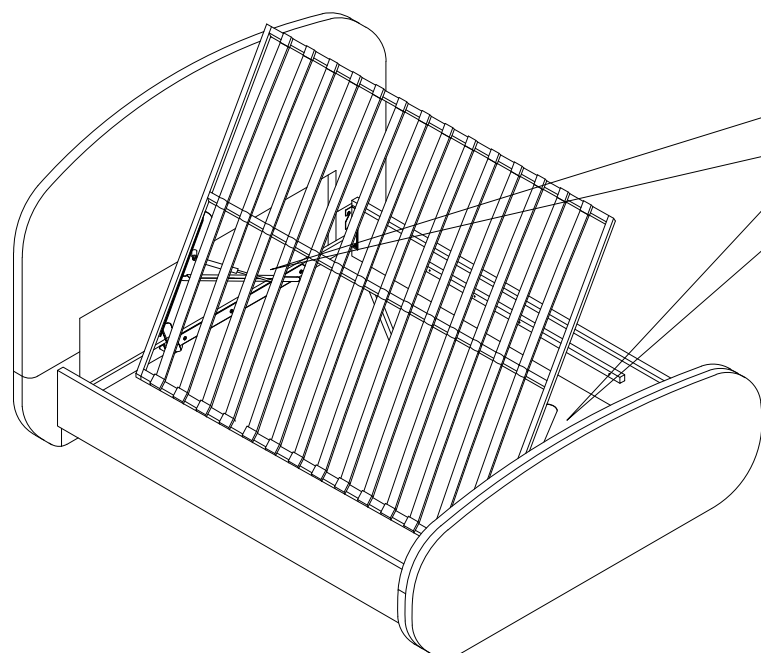
14



Slats to arch upwards

15

**Warning: Two people required.
Frame to be fully supported at all times!**



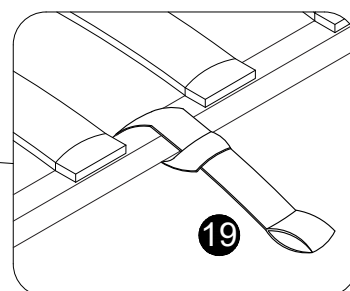
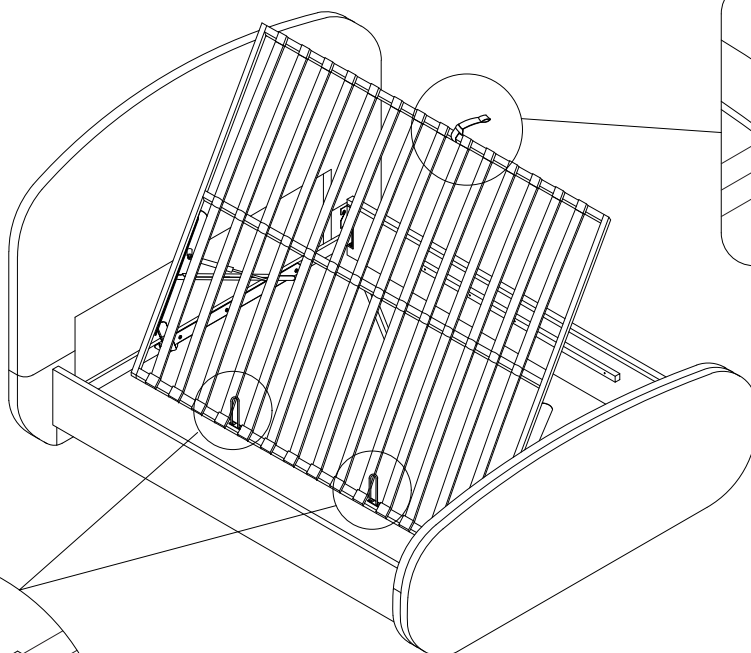
Nut pre-assembled

Repeat both sides

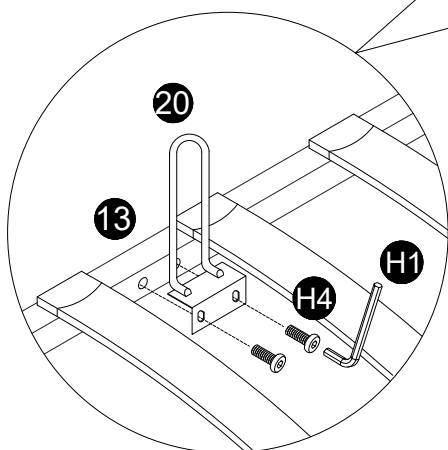
Important:

Before proceeding, check and ensure all screws and fixings are fully tightened.

16



19



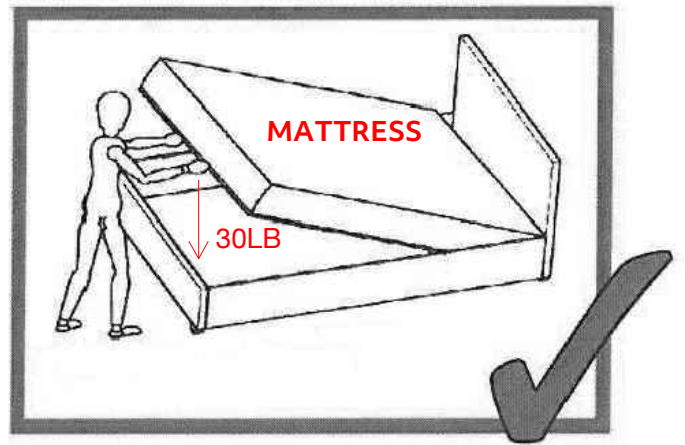
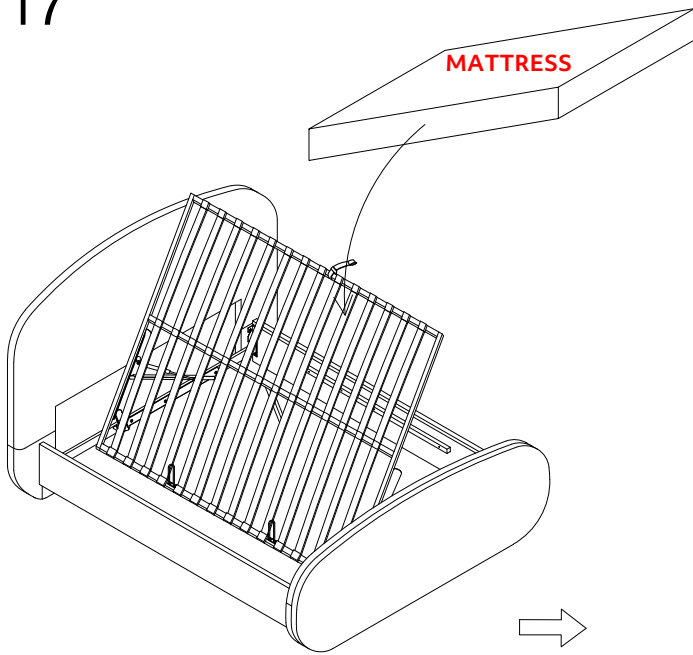
20


13

H4

H1

17



 Place the mattress on frame & Carefully lower the frame down.
Keep objects/body part & children away from moving parts.