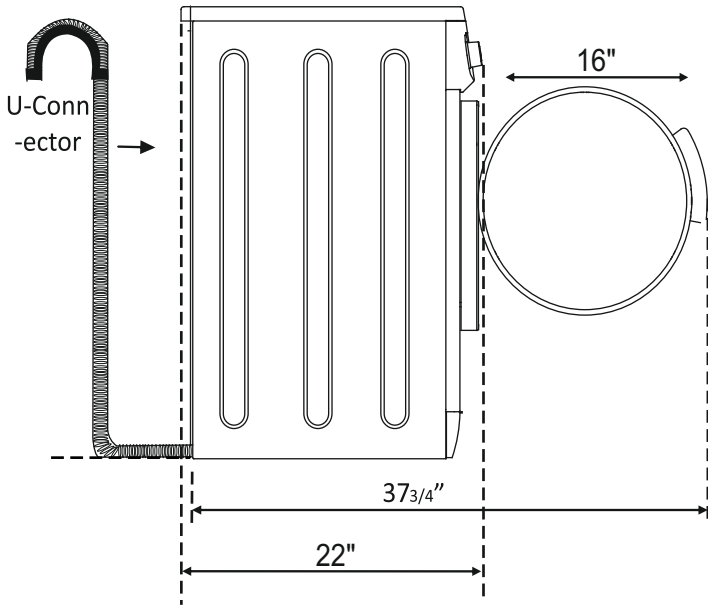


# DATA SHEET: WASHER + DRYER

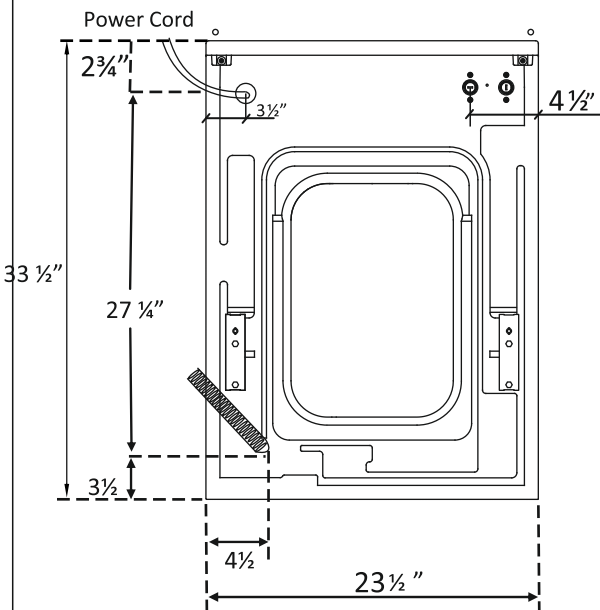
## SPECIFICATION

Product	Super Washer
Model	824N
Capacity	13 lbs/1.6 cu.ft
Programs	12
Door Diameter/Swing	16"/180°
Spin Speed	1200 rpm
Weight (Net/Gross ) lbs (kgs)	152 /156 (68.9/70.7)
Electrical	110V 60Hz 15A
Unit Dimension HxWxD inch(cms)	33.5 x 23.5 x 22 (85.09x59.69x55.88)
Pack Dimension HxWxD inch(cms)	36 x 26 x 25 (91.44x66.04x63.5)

SIDE VIEW



REAR VIEW



### Attachments:

- Power cord length - 5' - Color White
- Drain hose length - 5' - Color Grey
- Inlet hose length - 5' - Color Black with stainless connector

### Installation Location:

- Unit may be installed in recessed area, closet, or alcove.
- Air space Requirements: 2" on sides and 3" in front and back (from the case). Additional installation spacing needs to be considered for easy installation, servicing, and compliance with local codes or ordinances.
- Floor must support at least 280 lbs. and be a solid, level surface.
- When locating in a towable trailer or watercraft, position the machine over the axles or midship where movement is a minimum. Block unit in to prevent extreme movement.

### Standpipe Drain:

- In Home, installation need a 1 1/2" (3.7cm) diameter standpipe with the minimum carry-away capacity of 7 gallons (26 liters) per minute.
- An air break must be available at the standpipe to avoid siphoning.
- Top of standpipe must be at least 24" (60cms) high and no higher than 40" (101 cms) from the bottom of the machine.

### Sink Drain:

- The drain hose can be clamped to the sink using the U-connector provided the top of the sink is not higher than 40" (101 cm) from the bottom of the machine.

### Portability Kit Available

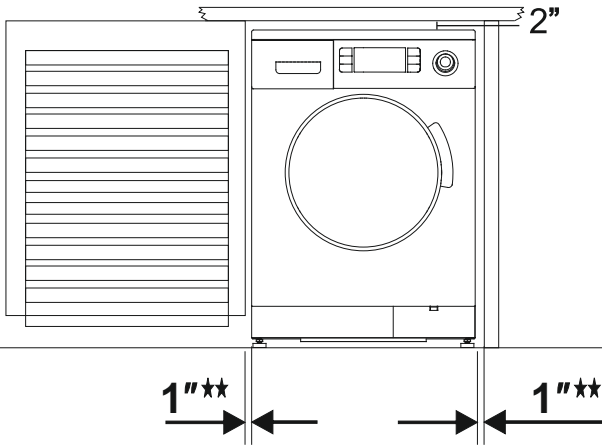
- It comprises of a faucet adapter for direct faucet connection, Y-connector for single faucet connection and casters to make the unit portable.

# BUILT-IN

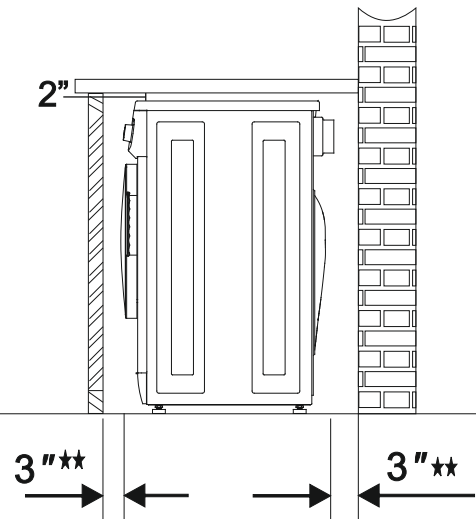
## EW 824N Cutout Dimensions

Cutout Height	35.5 inches
Cutout Width	27.5 inches
Cutout Depth	28 inches

### FRONT VIEW

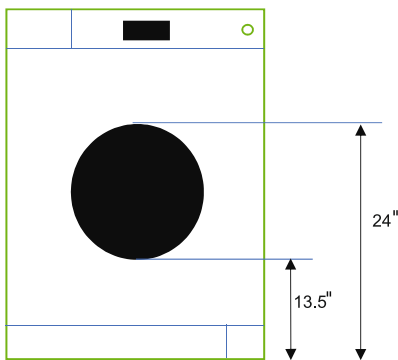


### SIDE VIEW

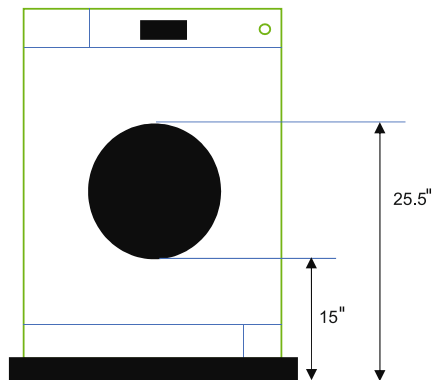


## ADA

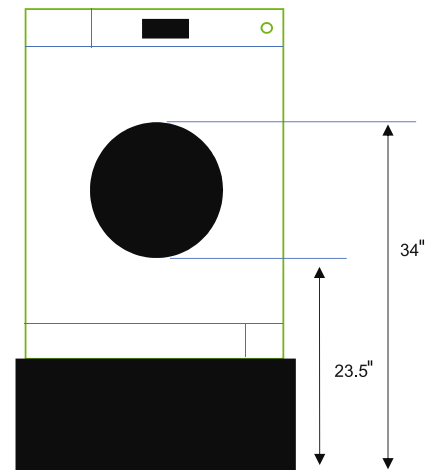
**ADA Standard:** As per ADA 611.4, Front loading machines shall have the bottom of the opening to the laundry compartment located 15 inches (380 mm) minimum and top is 36 inches (915 mm) maximum above the finish floor.



**Floor**



**1.5" Platform**



**10" Pedestal**

**A**

**A) Unit is kept on a 1.5 inches Platform.** This will fulfil ADA requirement and bottom of the opening of the Laundry Compartment will become 15 inches (Top is 25.5 inches)

**B**

**B) Unit is kept on Pedestal** (Supplied as an accessory). This will fulfil ADA requirement and bottom of the opening of the laundry compartment will become 23.5 inches.(Top is 34 inches)

For Washer, bottom of the opening of the laundry compartment is located at 13.5 inches. Hence super it cannot comply with ADA standards. It can only comply with ADA if either of the conditions (A or B) are complied with.