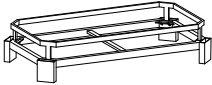
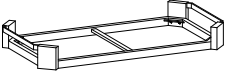


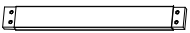




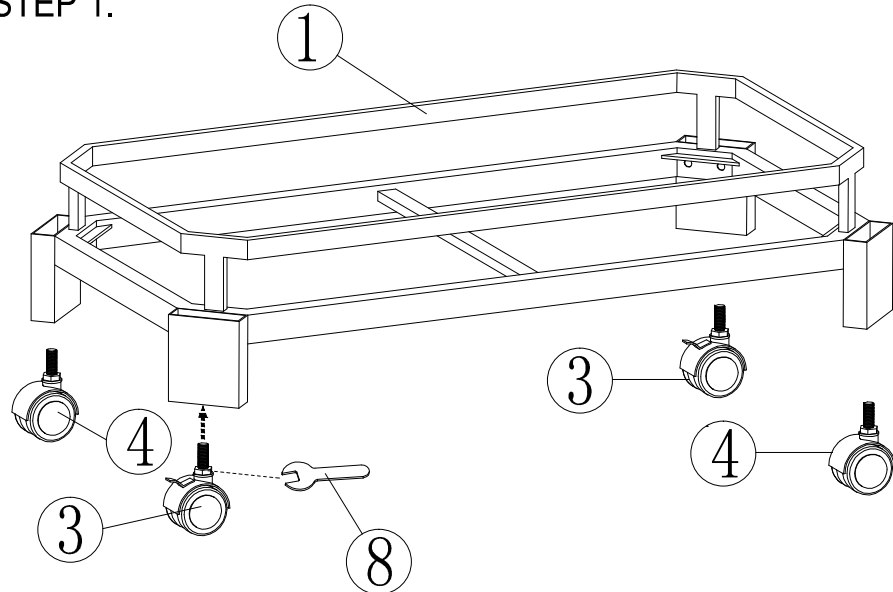


Assembly instruction

Accessories

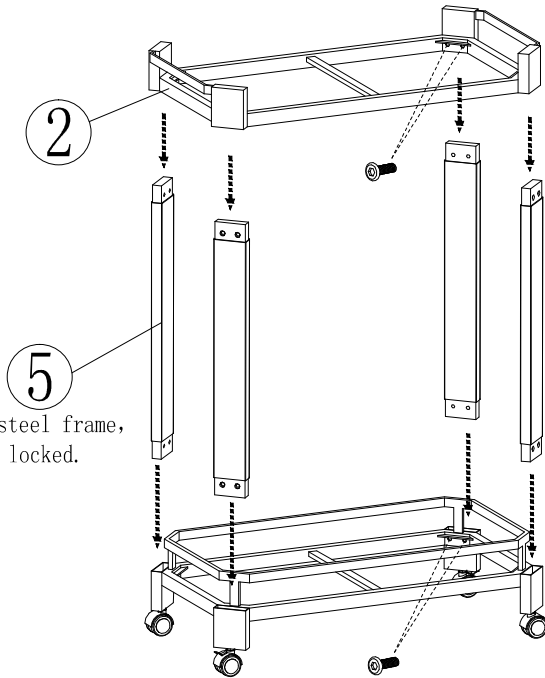
1  Steel frameA 1 PCS	2  Steel frameB 1 PCS	3  Universal wheel (with brake) 2 PCS	4  Universal wheel 2 PCS
5  Transparent acrylic 4 PCS	6  Silver mirror plate 2 PCS	7  Screw M6 16 PCS	8  Open end wrench M8 1 PCS
9  Hexagon wrench M4 1 PCS			

STEP 1.



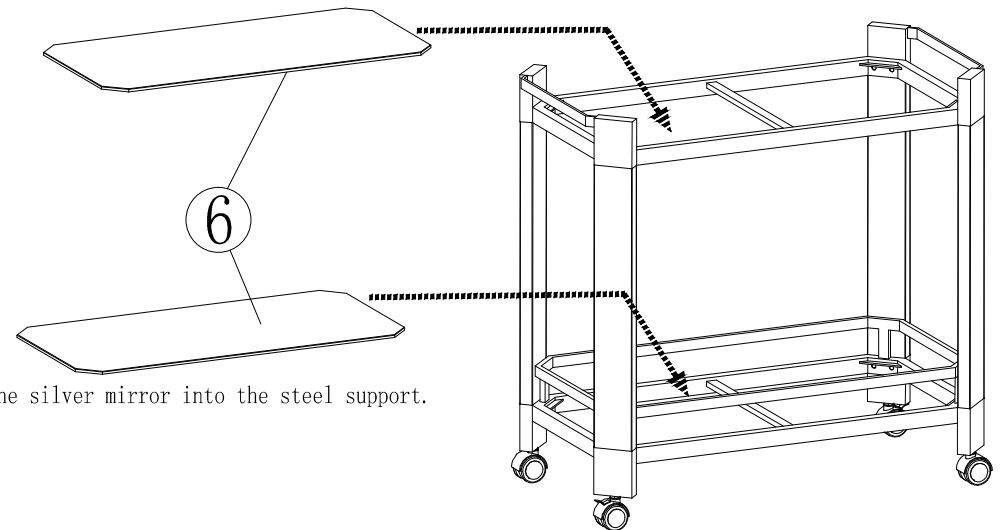
The universal wheel rotation into the steel frame, And then wrench locking nut.

STEP 2.



The Acrylic into the steel frame,
And then the screw is locked.

STEP 3.



The silver mirror into the steel support.