

ASSEMBLY INSTRUCTION

H08-RB-US4004-BROWN

WARNING:

- 1.CHOKING HAZARD - Small parts.Not for children under 3 years.
- 2.The screws and the nuts must by correctly placed and tightened before allowing children to play with the toy.
- 3.Assembly should be done by adult or under adult supervision.
- 4.This box does not contain batteries.

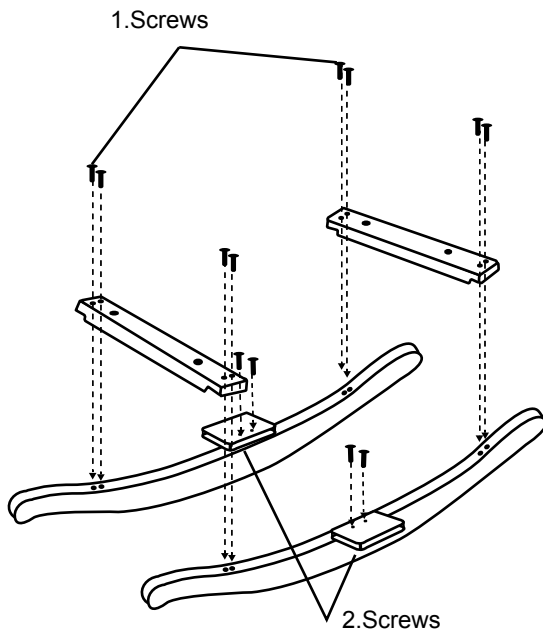
List of Parts: * 2 Rockers * 12 Screws * 2 Crosspieces * 4 Washers * 2 Handles * 4 Nuts * 2 Pedal * 1 Animal

To assemble the rocking animal, the following tools are required: * Screwdriver * Hammer * Adjustable Wrench

Before beginning the assembly, the point marks for the screws in the rocker must be enlarged.

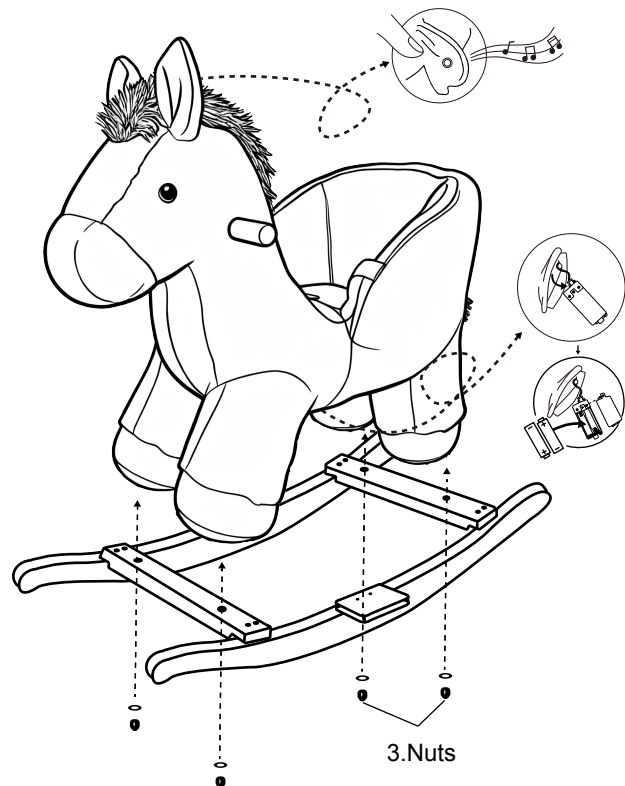
Place the screws on the pointmarked indentations and tap lightly with the hammer, taking care not to drive the screws in.

Stage 1: Use a screwdriver to fasten the crossbar to the rocker, and then install the pedals at the center of the cross plates on both sides.



Stage 2: Fix the legs of the animal on the crosspieces, lining up the bolts with the holes.

Place the washers on the bolts and then tighten the nuts. Screw the handles to the animal head.



Stage 3: Open the Velcro on the toy's belly, lift the inner battery compartment cover, install two AA batteries, and then press the sound button on the toy's ear to play sounds.