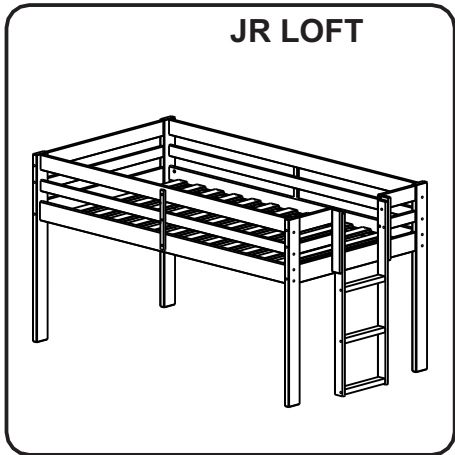
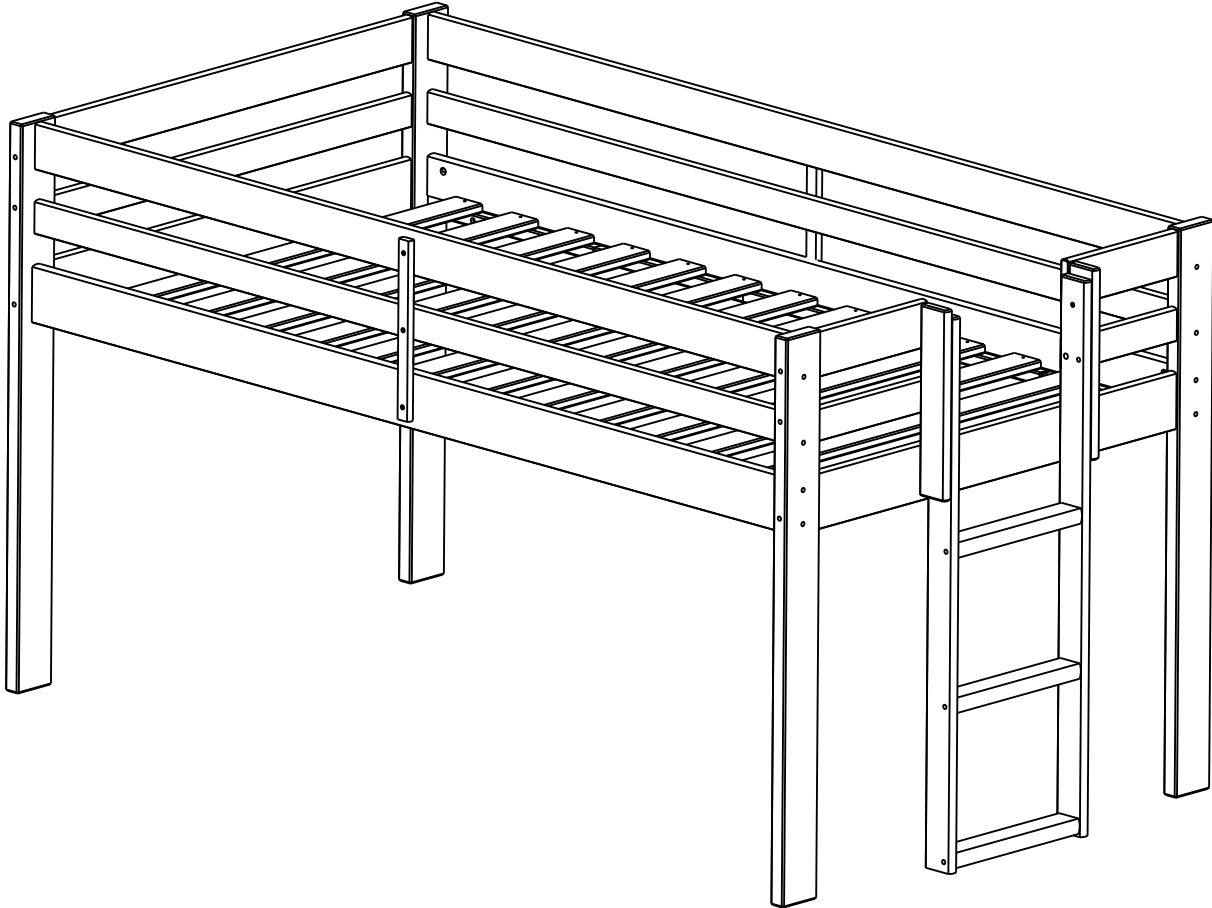
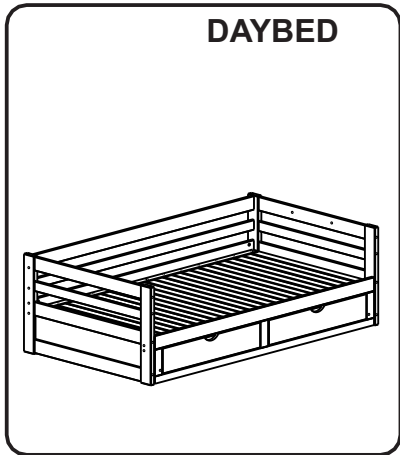


ASSEMBLY INSTRUCTIONS

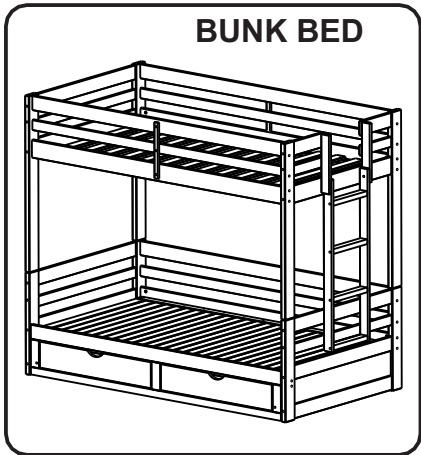
JR LOFT



+

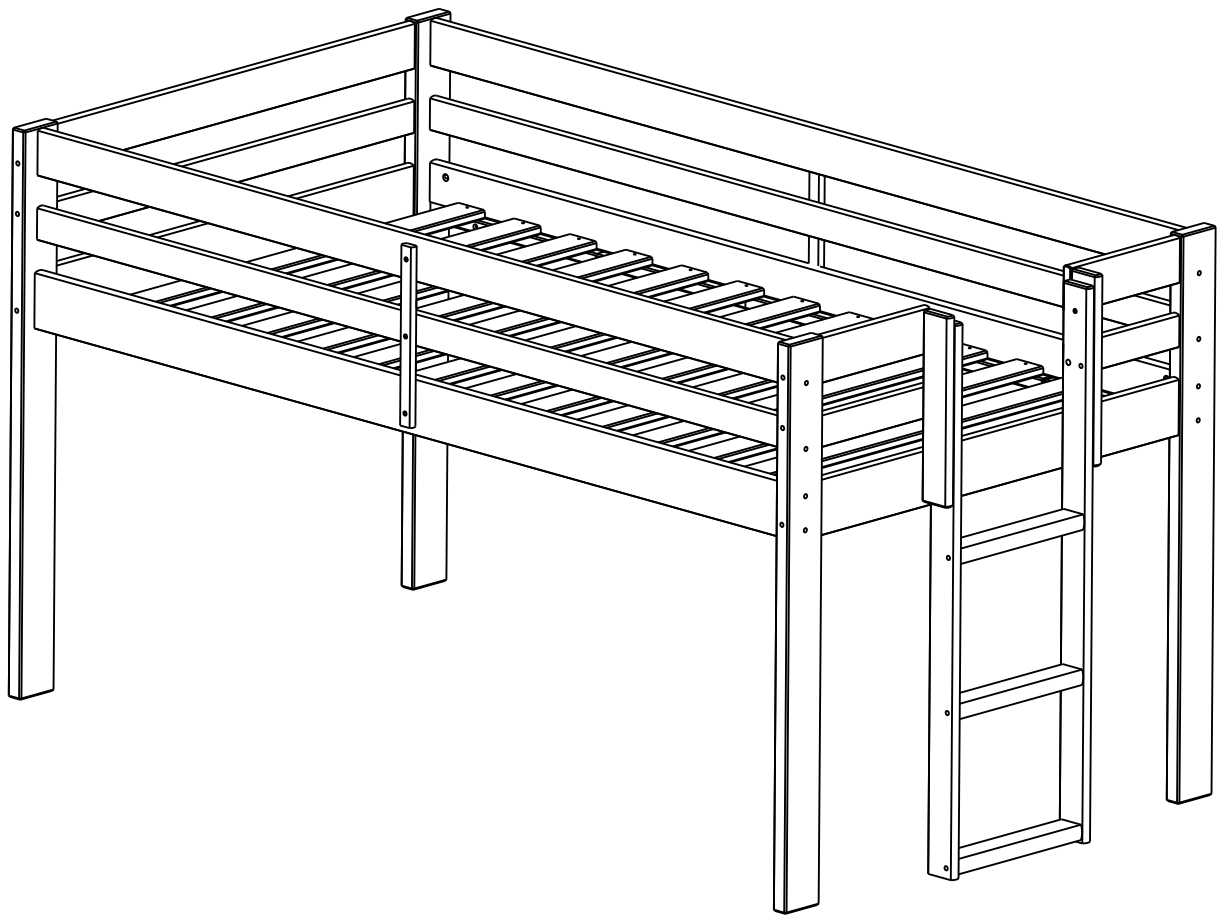


=



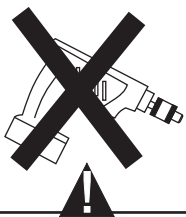
ASSEMBLY INSTRUCTIONS

JR LOFT

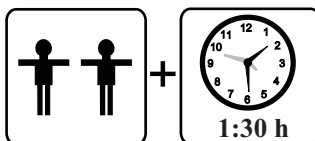


REPLACEMENT PARTS

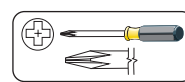
Please do not contact the company purchased from as we can help you faster.



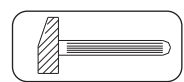
* Use of power tool to assemble this product will invalidate any claim and damage this product making it unsafe!!!
* Please assemble on a clean soft surface to avoid damage.



Tools Required



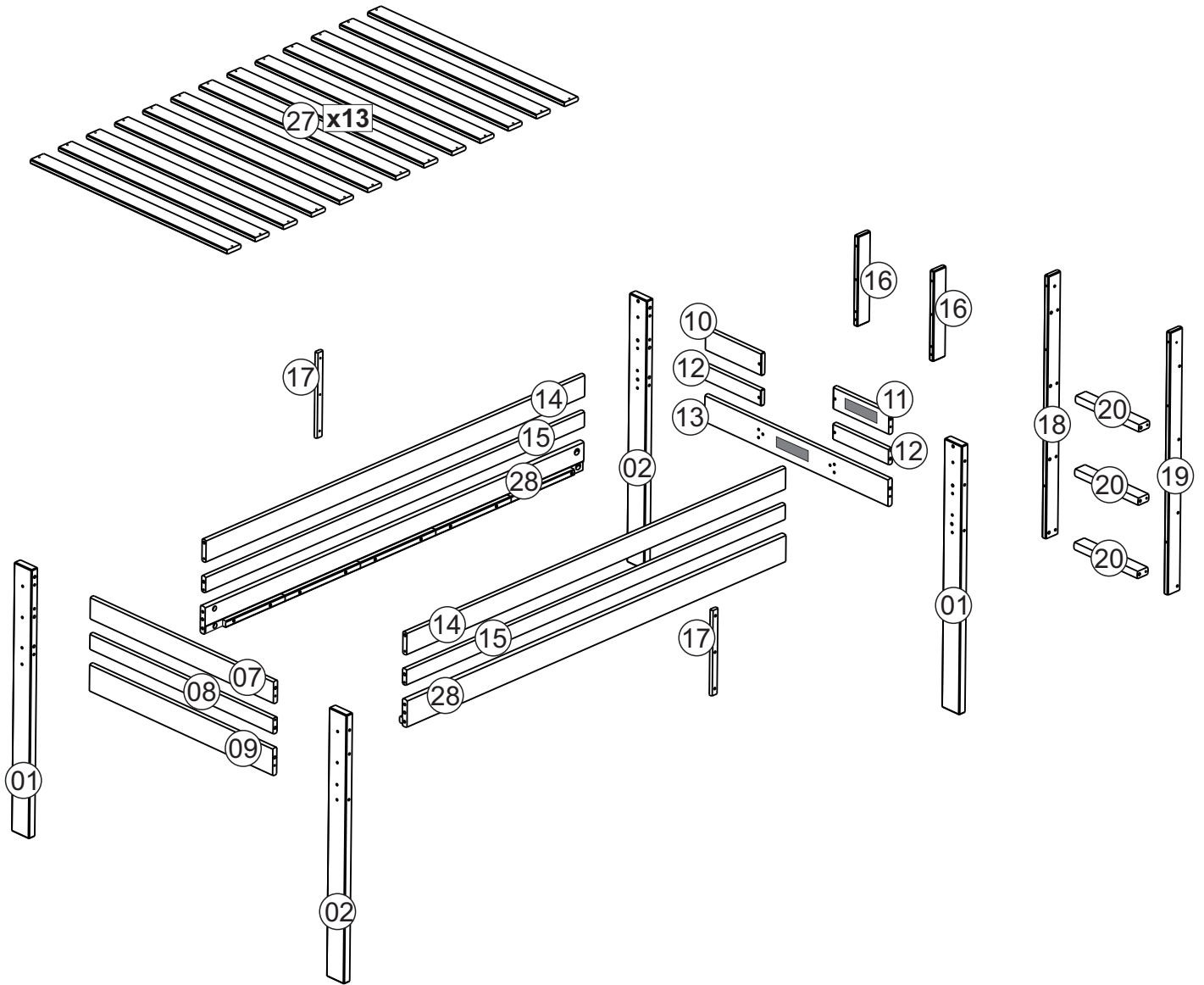
(Not included)





(Not included)

Part List -

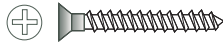

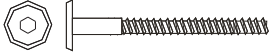
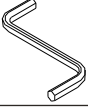
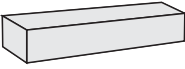
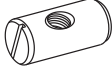

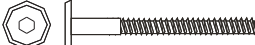
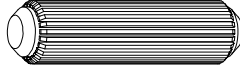
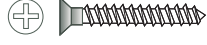


Jr Loft



  **20**

Additional part 20 is included for assembling the Bunk Bed option

Identifying the Hardware-Identify the hardware using the illustrations below.

C  26 4,0 x 35	E  32 10X50	G  08 7 x 70 x 17mm
H  01	J  02 SPACER - 2 3/4" 71mm	K  08 1/4
Q  12 7 x 120 x 17mm	R  20 7 x 60 x 17mm	T  04 15X100
U  08 4,0 x 30	V  02	X  08 1/4 x 80 x 17mm

01

E



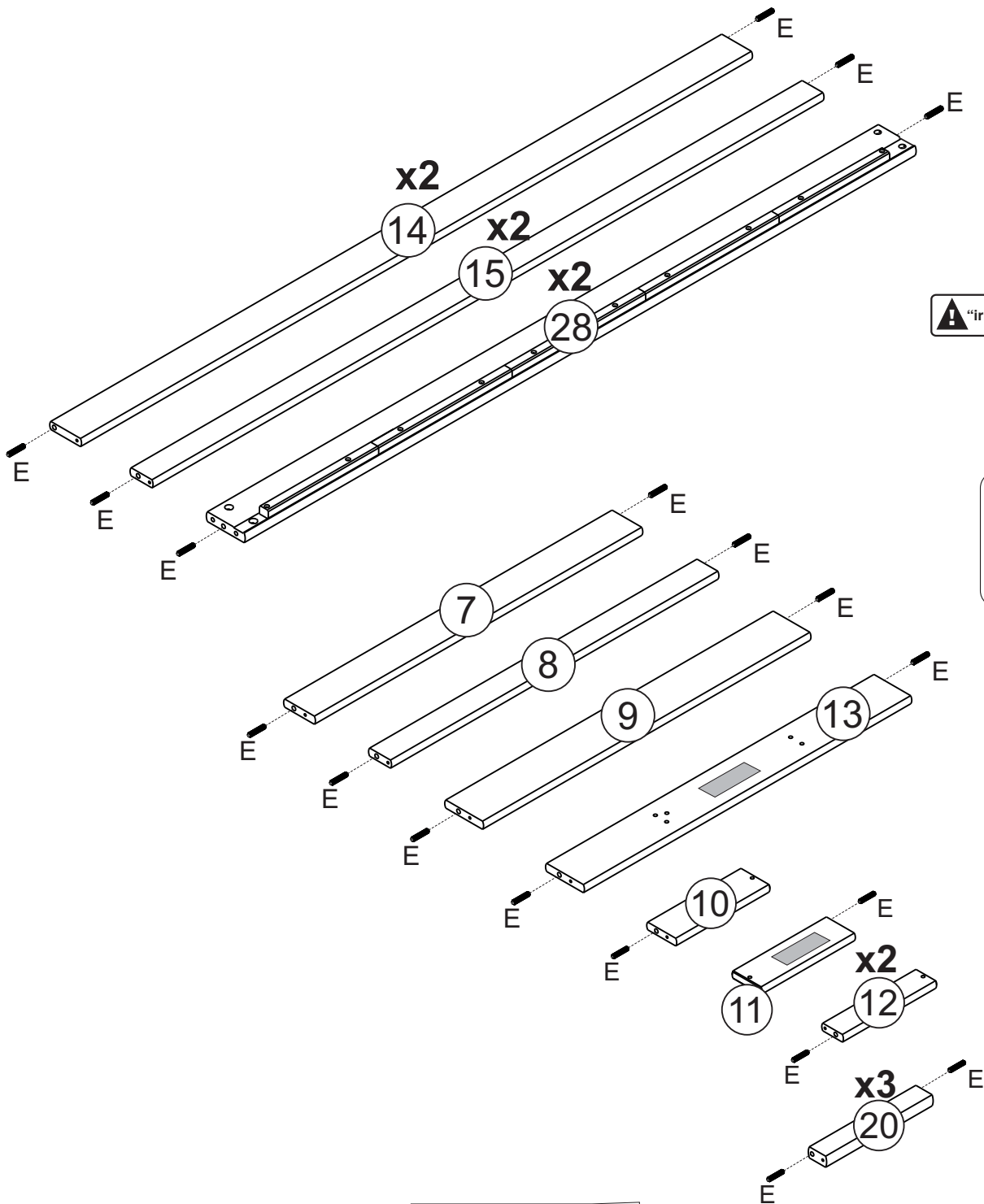
10X50

30

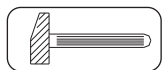
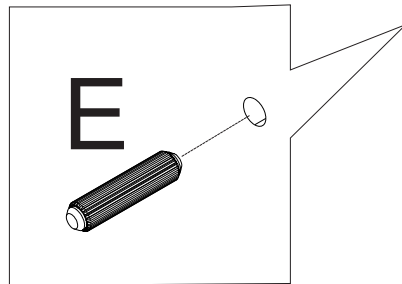
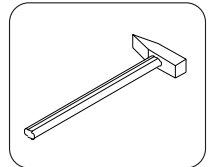
V



02



"irreversible operation"



(Not included)

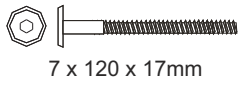
02

H



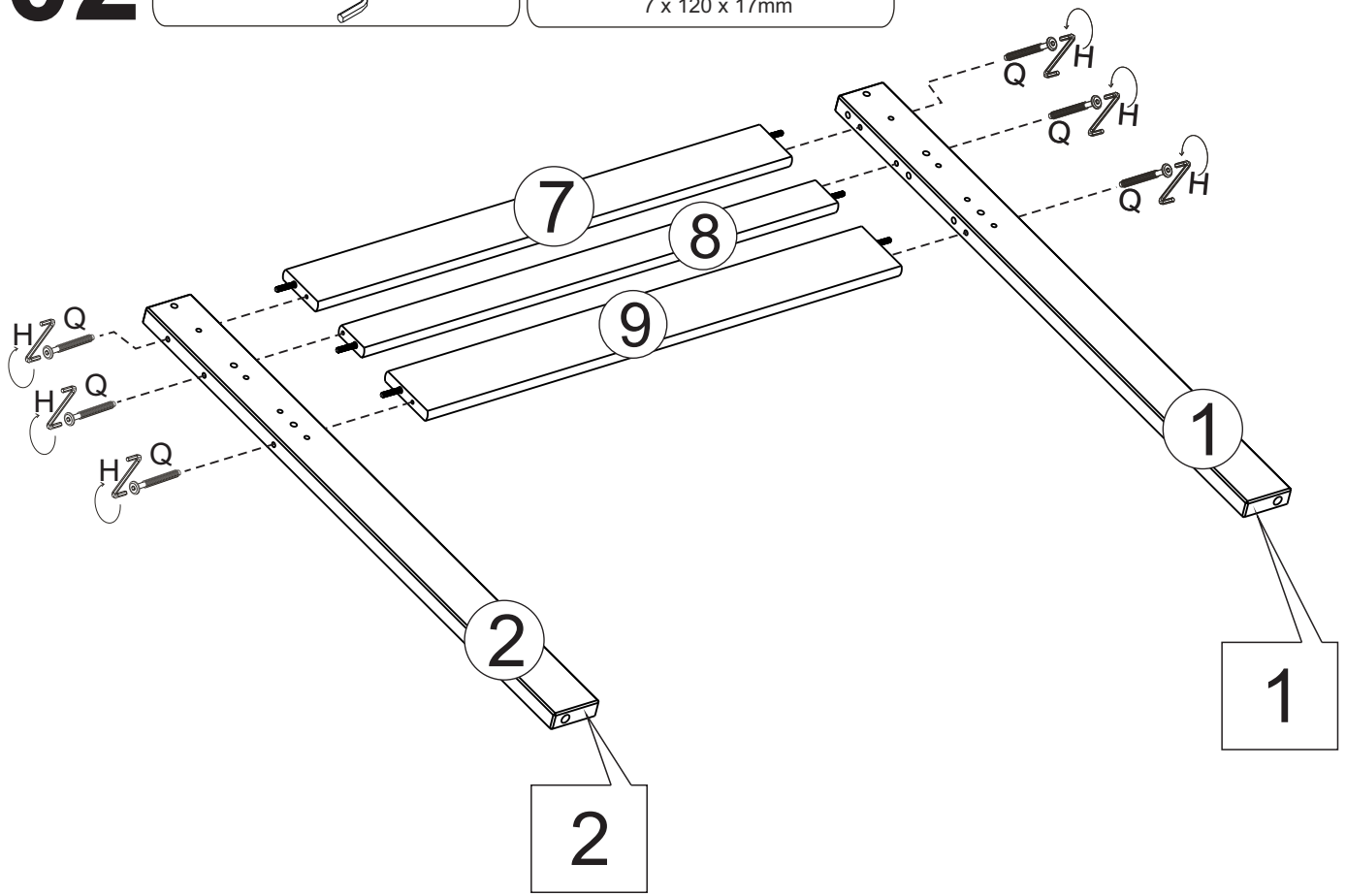
01

Q



06

7 x 120 x 17mm



03

H



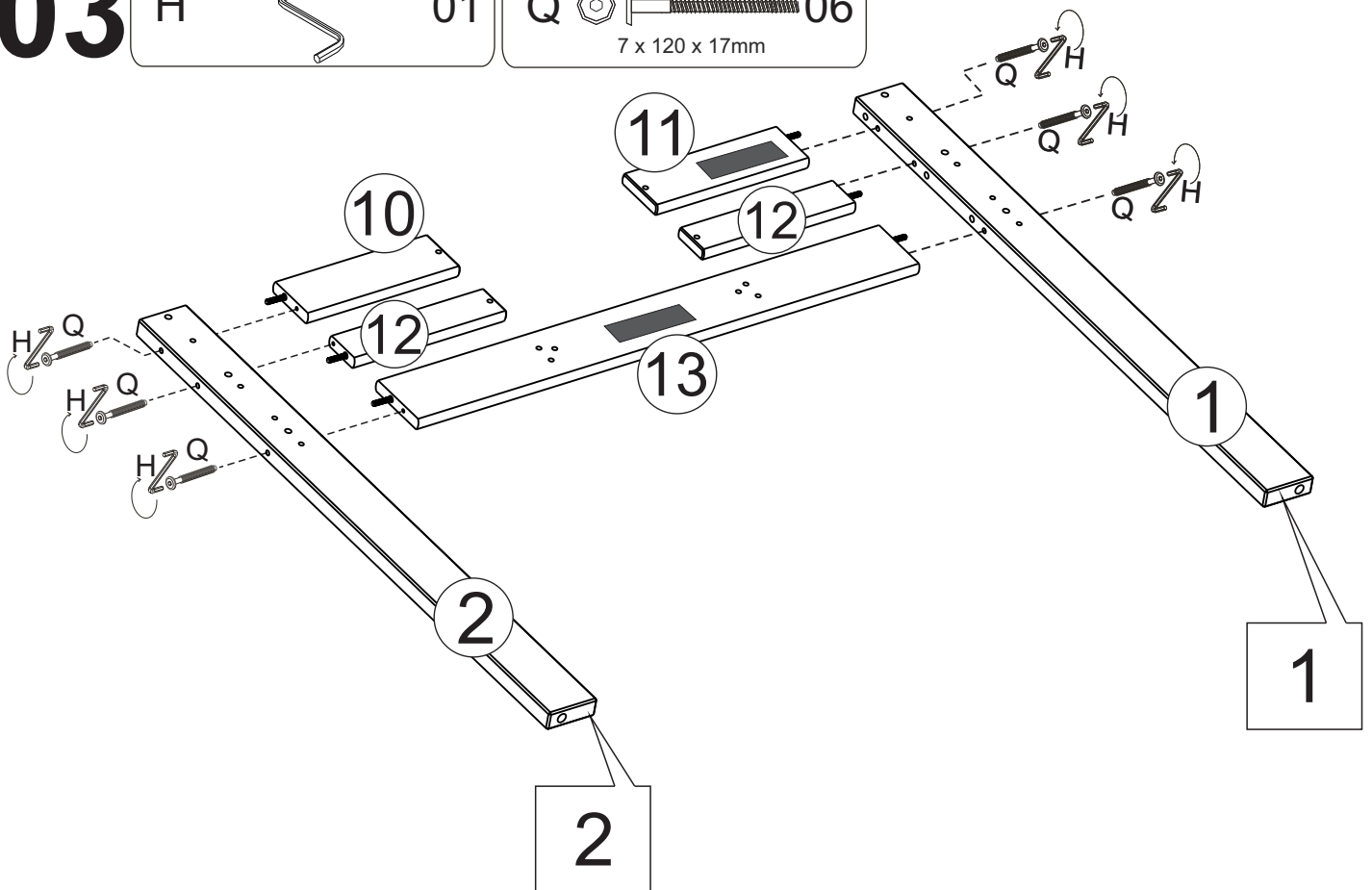
01

Q





06


7 x 120 x 17mm

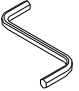


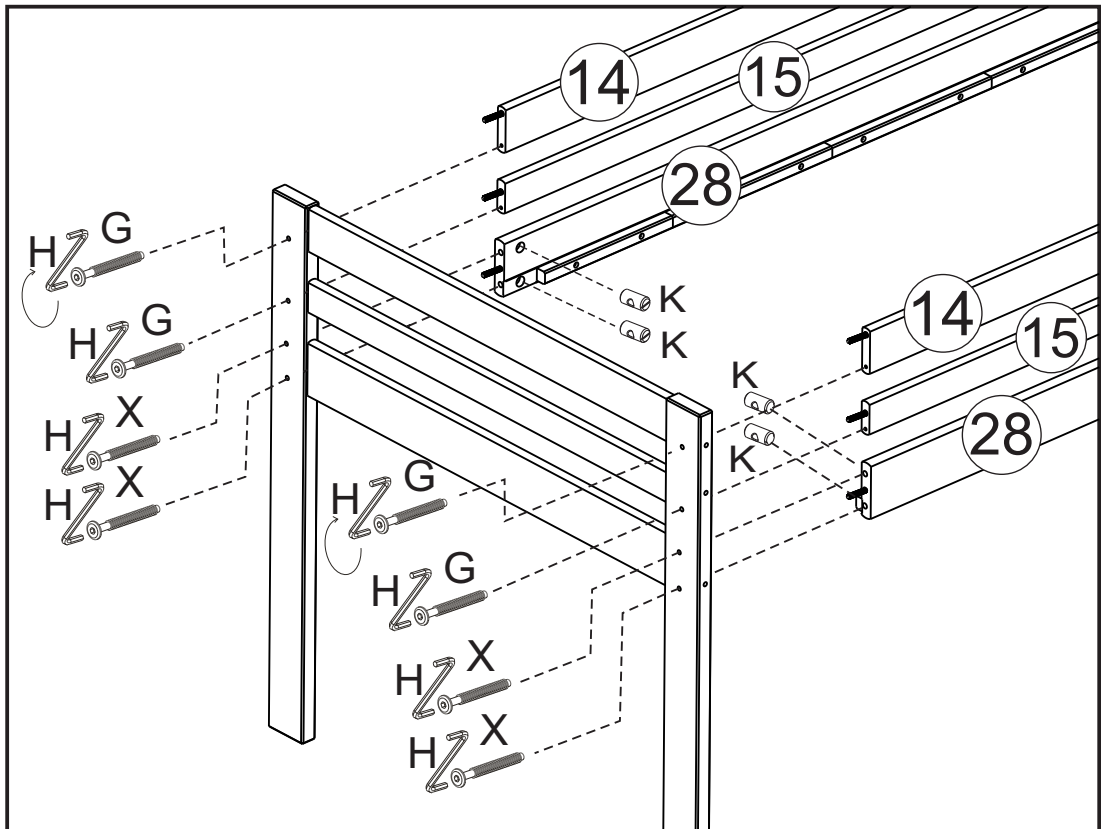
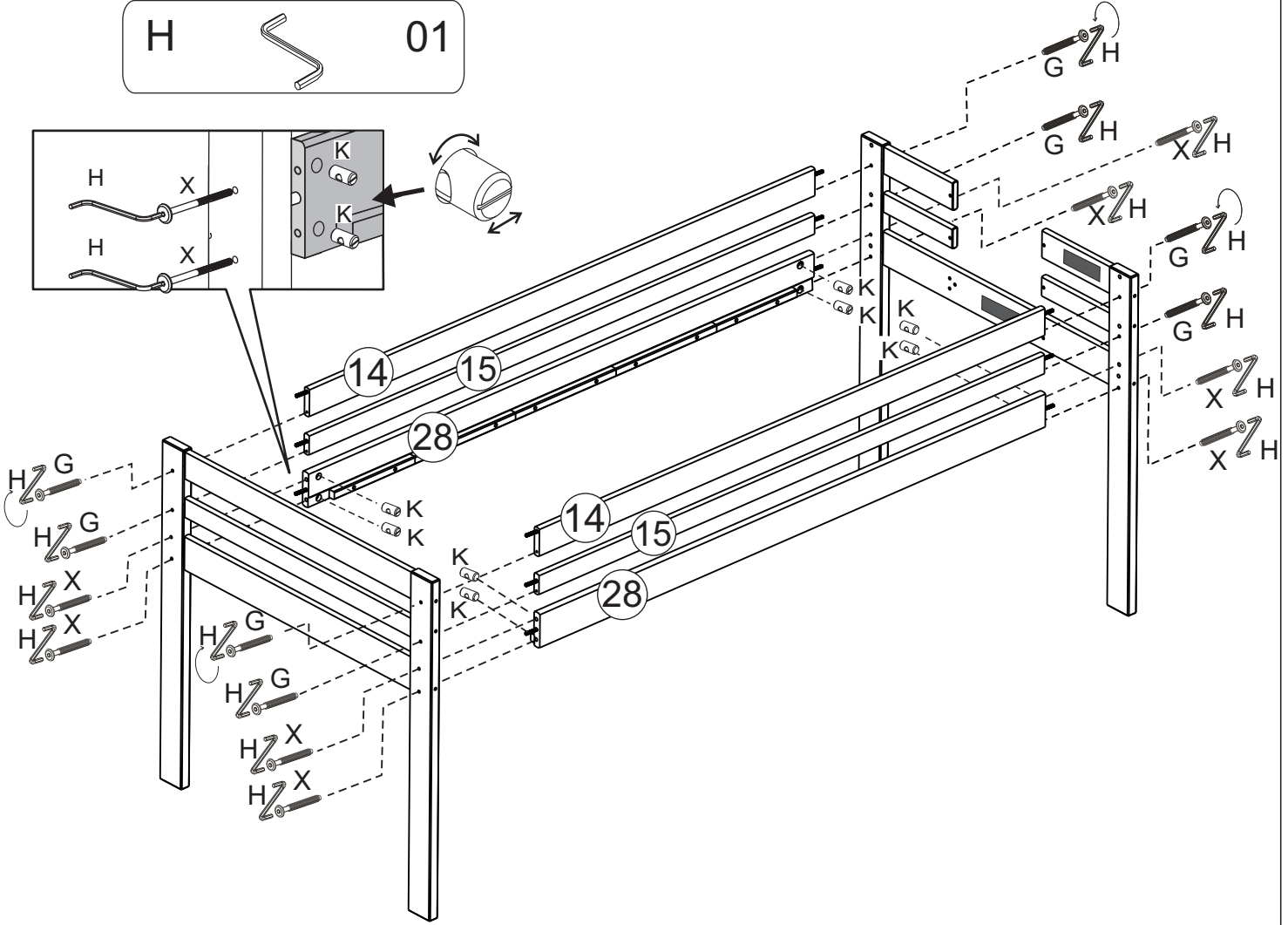
04

X  08
1/4 x 80 x 17mm

K  08
1/4

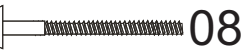
G  08
7 x 70 x 17mm

H  01



05

R



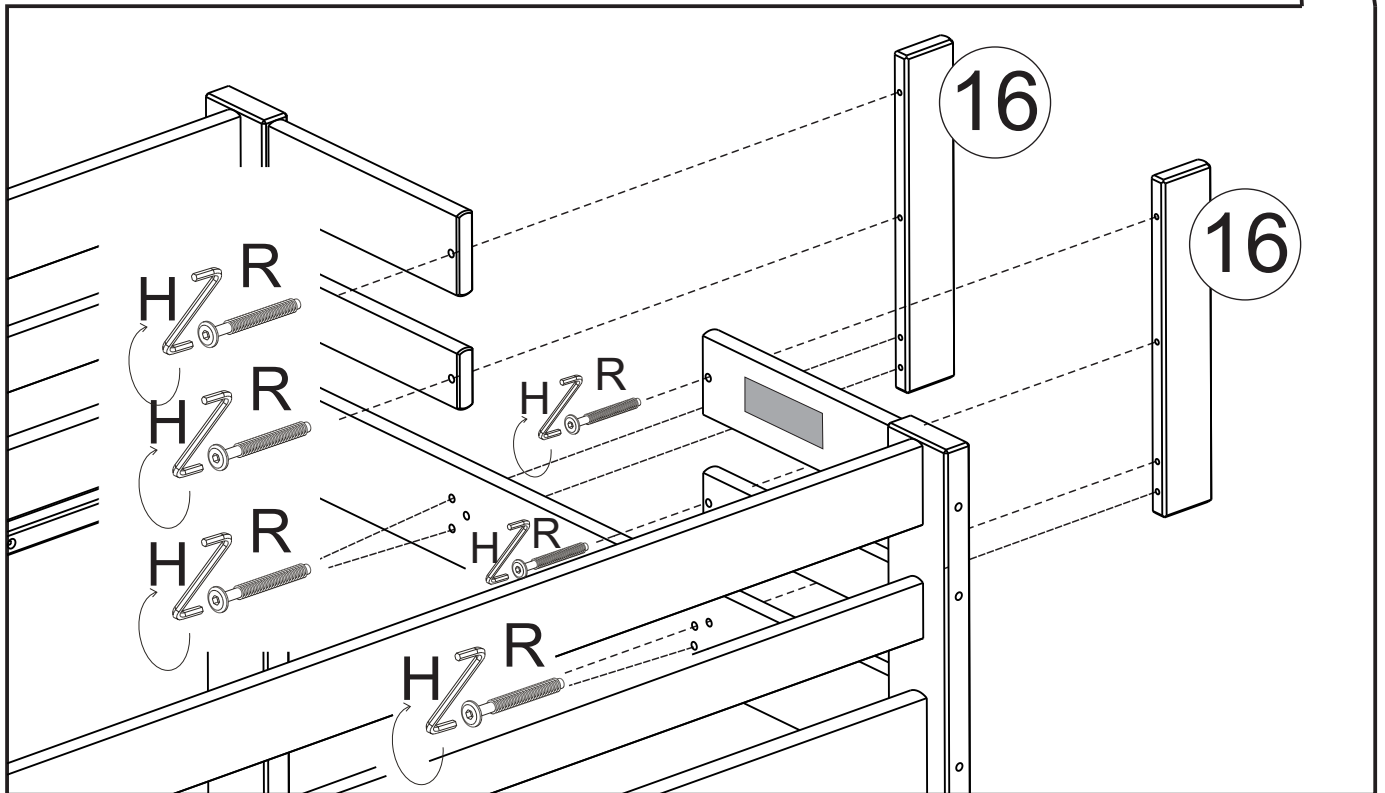
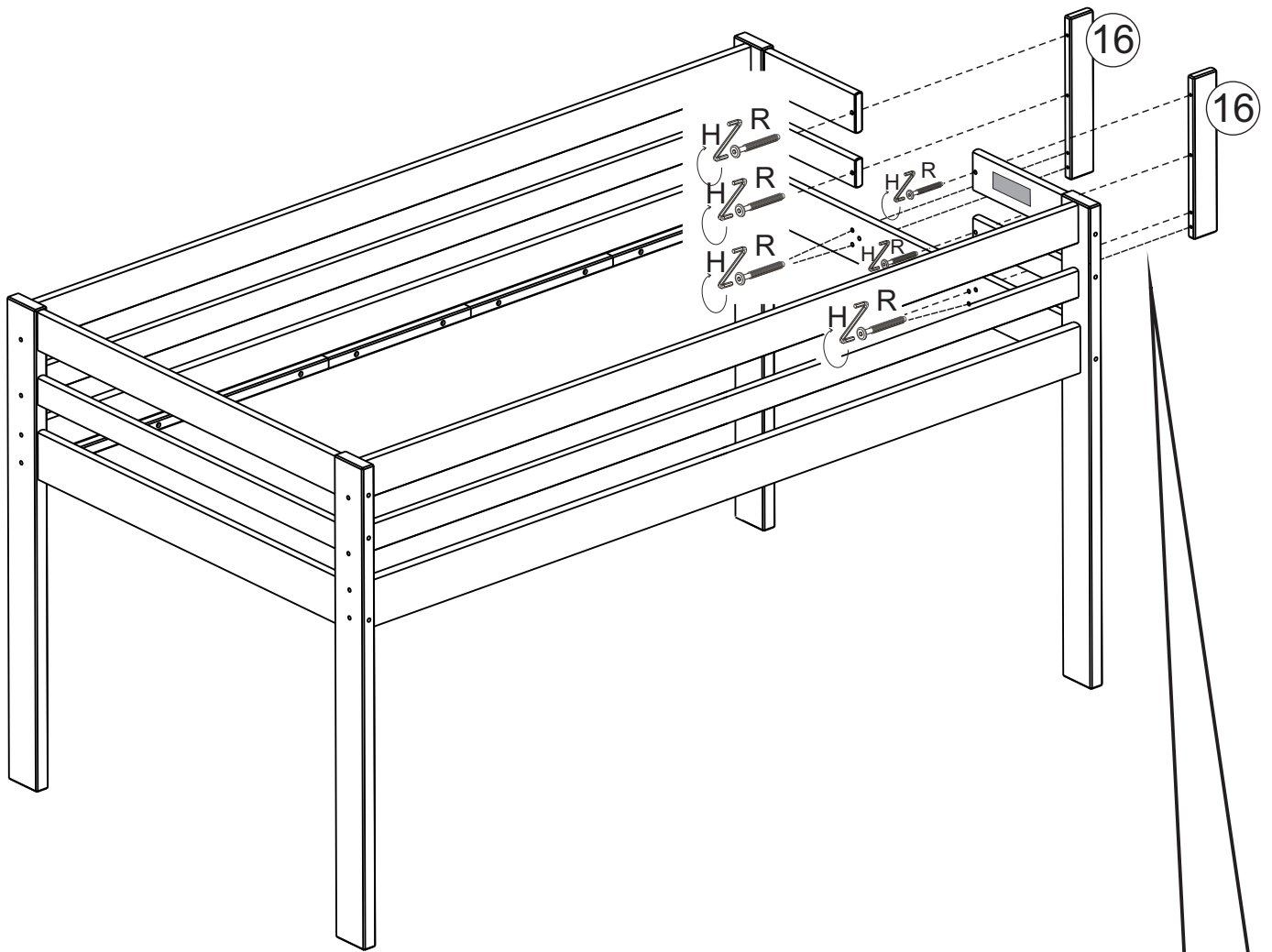
08

7 x 60 x 17mm

H

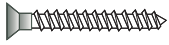


01



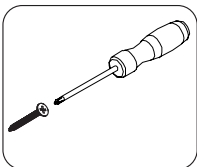
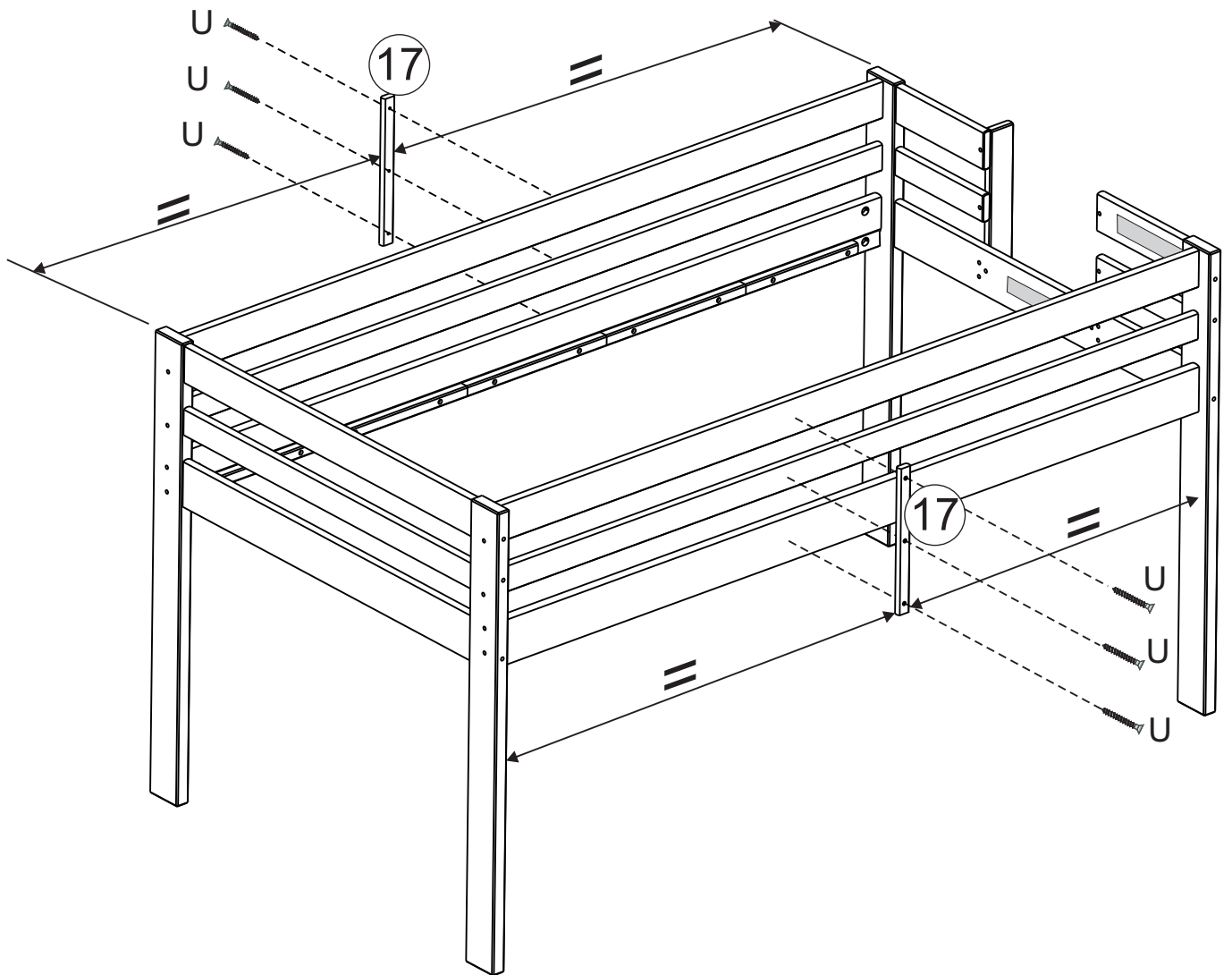
06

U



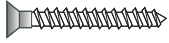
06

4,0 x 30



07

C



4,0 x 35

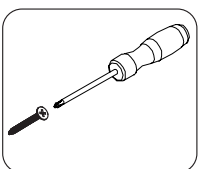
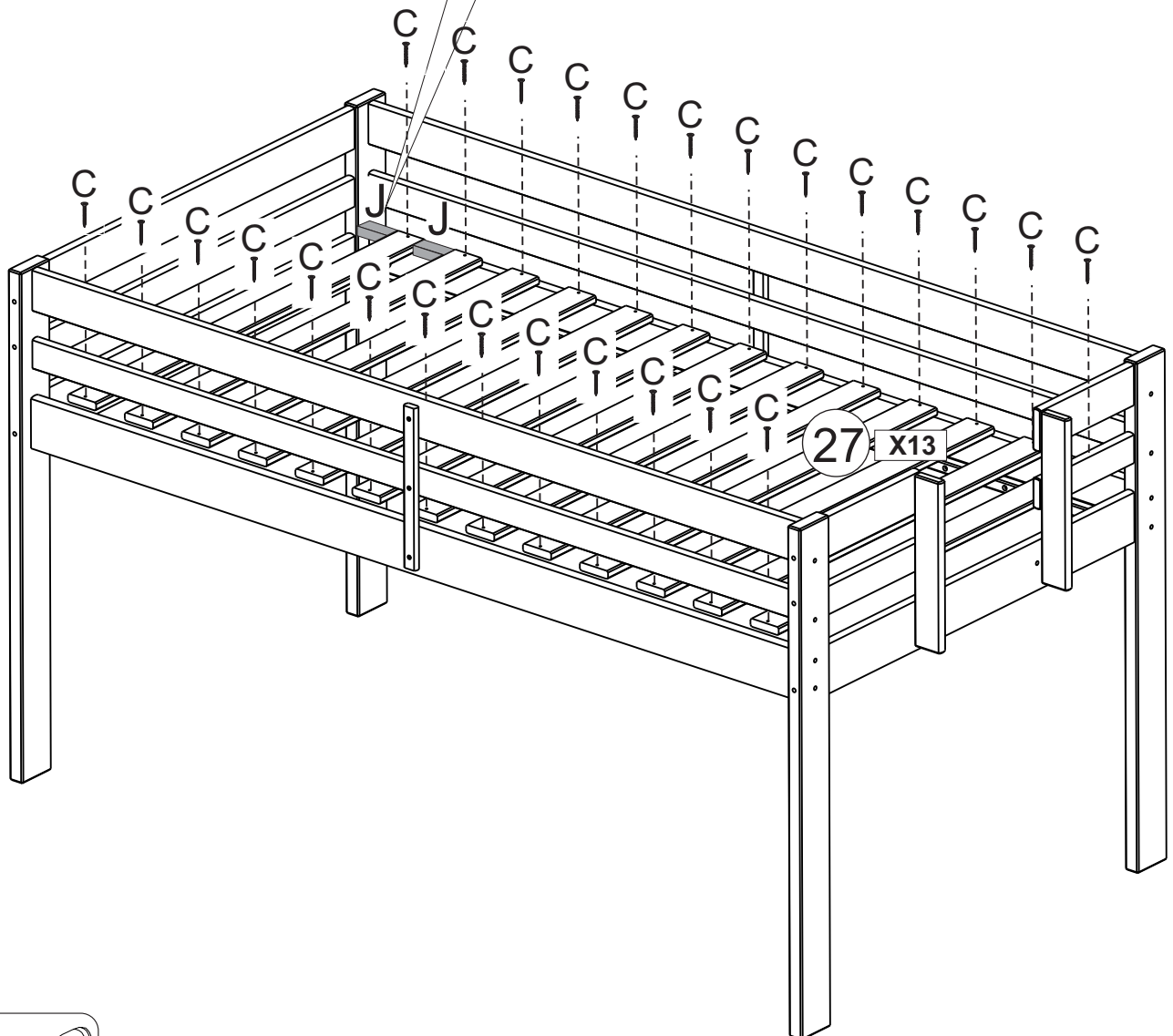
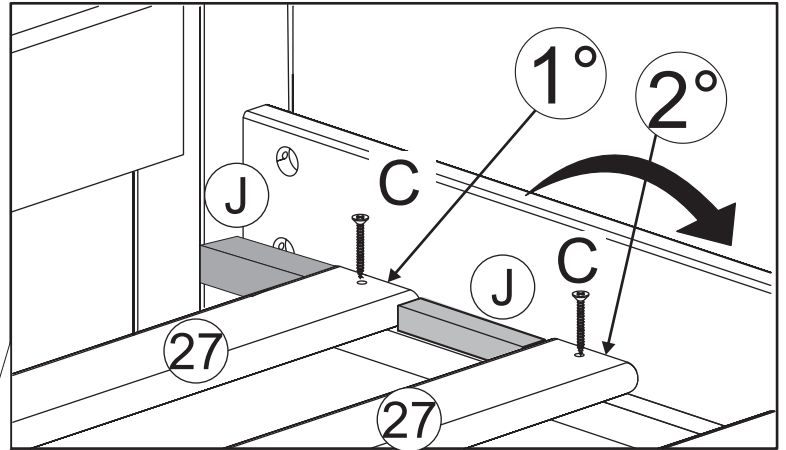
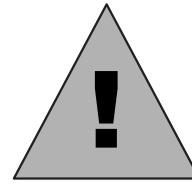
26

J

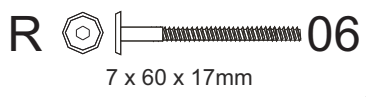


Spacer 2 3/4"
71mm

02



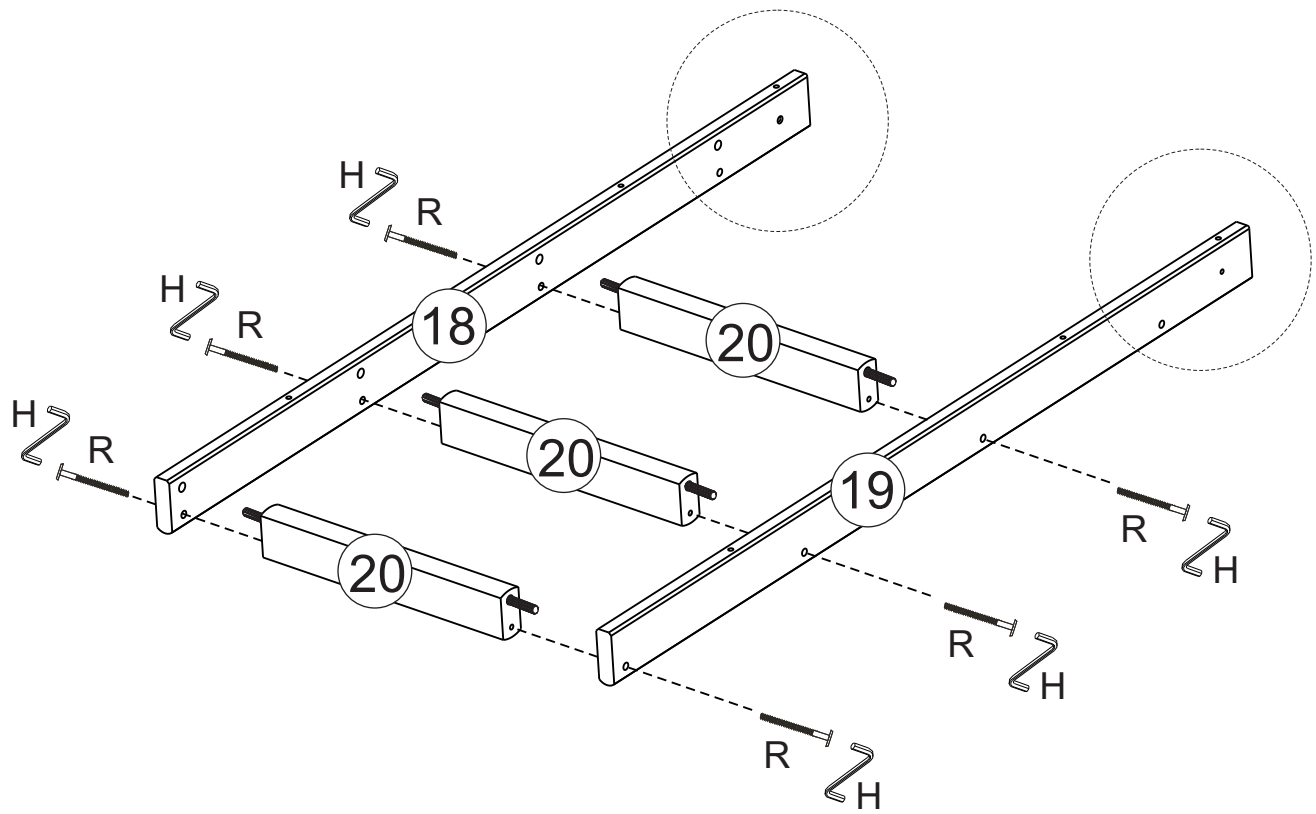
08




H

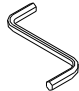



01



09

R  02
7 x 60 x 17mm

H  01

U  02
4,0 x 30

