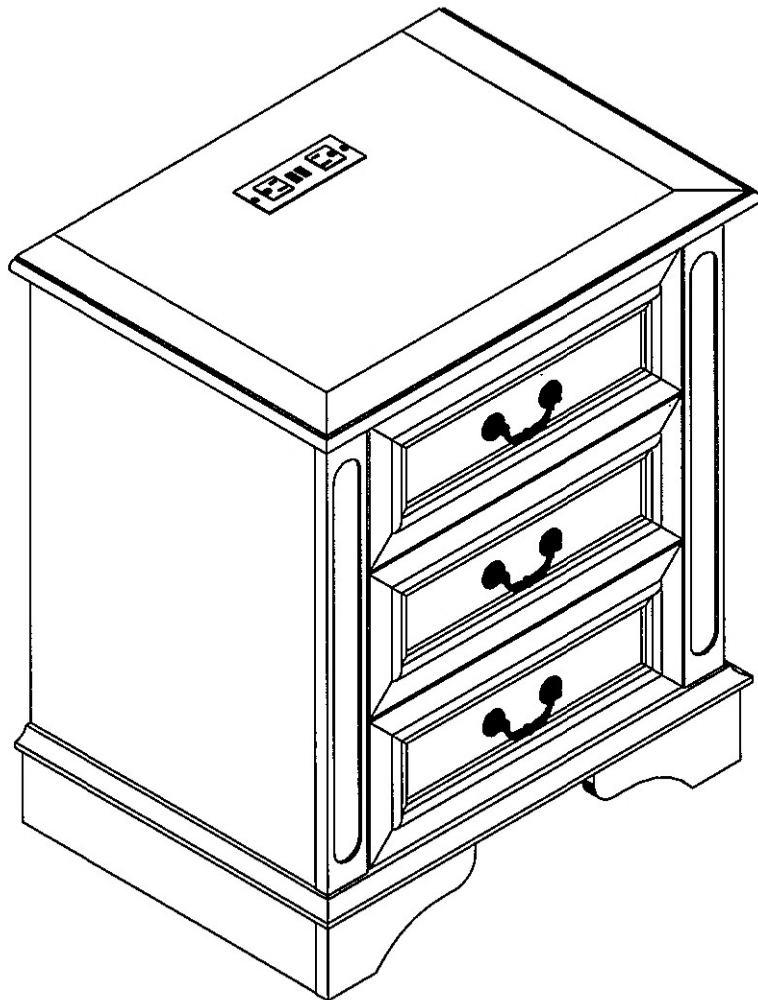

BWF603ZP

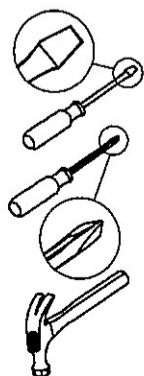


As this item contains many parts, please read the installation instruction carefully before installation . Please use tools properly and carefully. If you have any questions about the product and installation, please contact us.

sales@fiakoa.com

Our professional after-sales team will serve you online all day.

Before You Start



- ✓ Read through each step carefully and follow the proper order
- ✓ Separate and count all your parts and hardware
- ✓ Give yourself enough room for the assembly process
- ✓ Have the following tools: Flat Head Screwdriver, #2 Phillips Head Screwdriver and Hammer
- ✓ Caution: If using a power drill or power screwdriver for screwing, please be aware of to slow down and stop when screw is tight. Failure to do so may result in stripping the screw. (Assembly speed can be increased by using electric screwdriver)

Helpful Hints

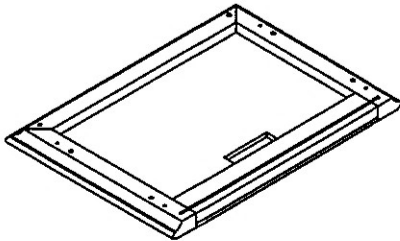
PEOPLE NEEDED FOR ASSEMBLY: 1-2

- Open your item in the area you plan to keep it to avoid excessive heavy lifting.
- Identify, sort and count the parts before attempting assembly.
- Compression dowels are lightly tapped in with a hammer.
- Slides are labeled with an **R** (right) and **L** (left) for proper placement.
- Make sure to always face the point on the top of the Cam Lock towards the outer edge.
- If there is a back panel in the package, please install it to make sure your unit is complete and sturdy.
- Please fix all the screws provided for the back panel which can enhance product stability. If it is difficult to fix it when tightening, it can be fixed with the help of a hammer and then tightened.
- Do NOT use harsh chemicals or abrasive cleaners on this item.
- Never push, pull, or drag your furniture.

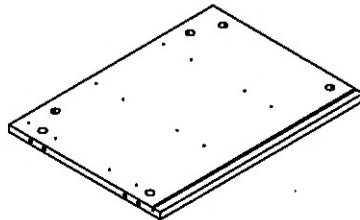


Board Identification

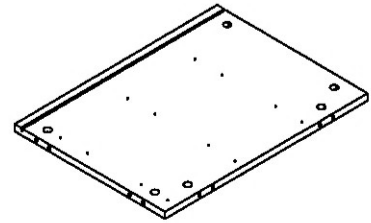
Not actual size



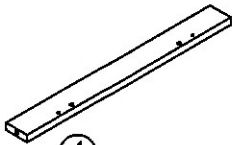
①
TOP
Qty:1



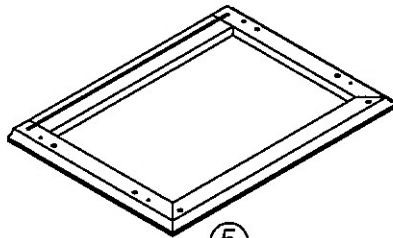
②
LEFT SIDE PANEL
Qty:1



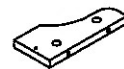
③
RIGHT SIDE PANEL
Qty:1



④
PILLAR
Qty:2



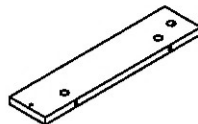
⑤
BOTTOM FRAME
Qty:1



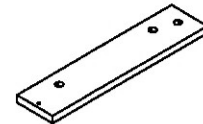
⑥
FRONT FOOT STRIP
Qty:1



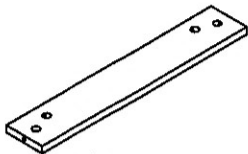
⑦
FRONT FOOT STRIP
Qty:1



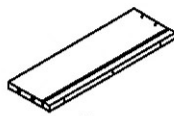
⑧
SIDE FOOT STRIP
Qty:1



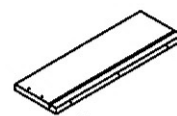
⑨
SIDE FOOT STRIP
Qty:1



⑩
REAR FOOT STRIP
Qty:1



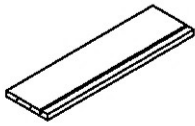
⑪
DRAWER LEFT SIDE
Qty:3



⑫
DRAWER RIGHT SIDE
Qty:3

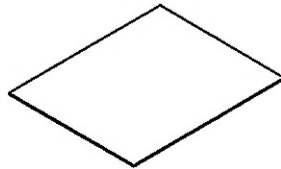
Board Identification

Not actual size



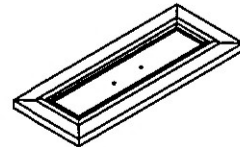
13

DRAWER BACK PANEL
Qty:3



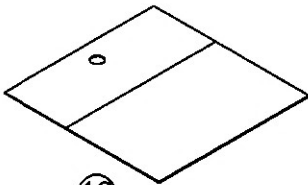
14

DRAWER BOTTOM PANEL
Qty:3



15

DRAWER FRONT PANEL
Qty:3

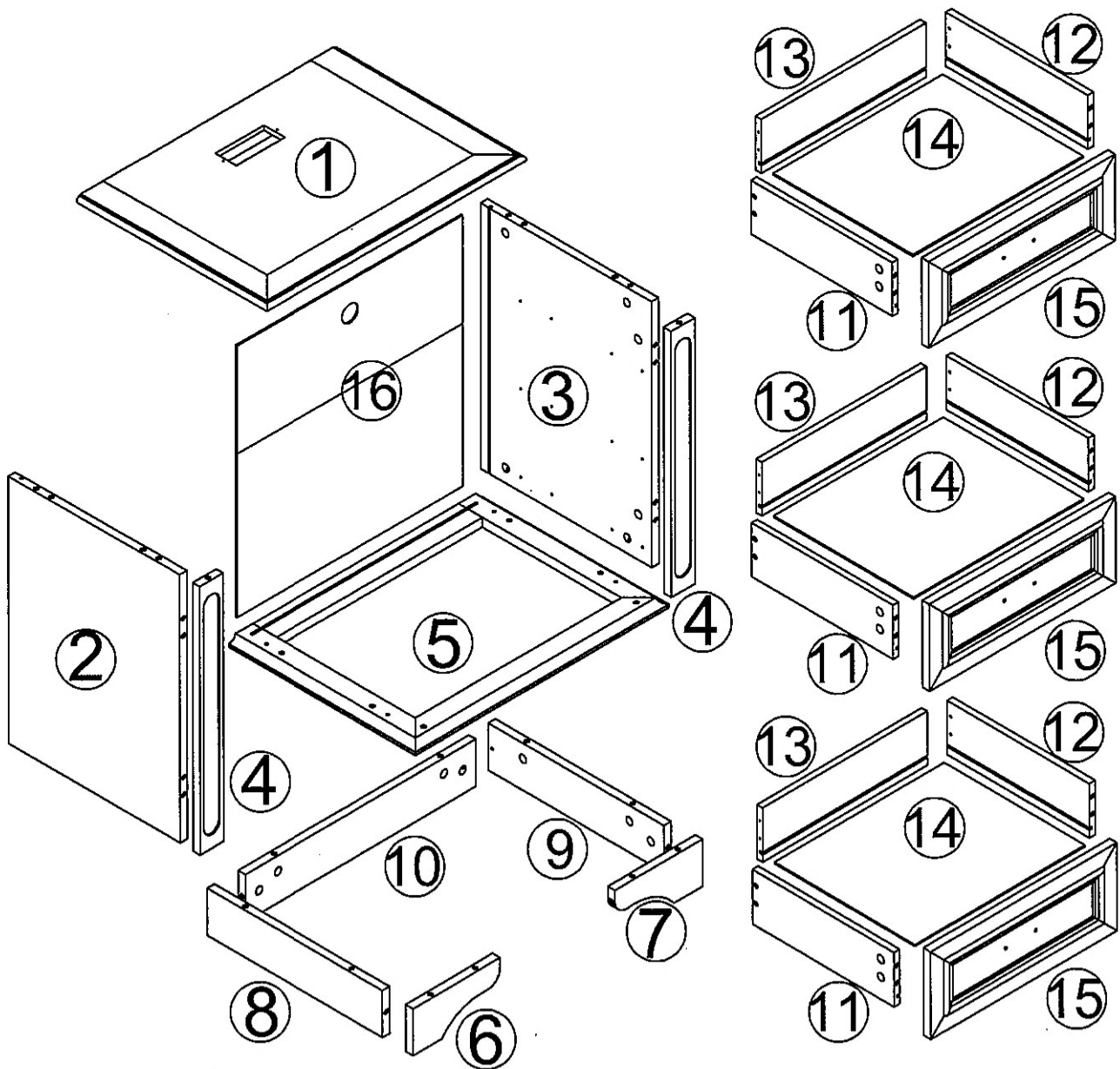


16

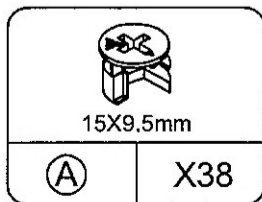
BACK PANEL
Qty:1

Board Identification

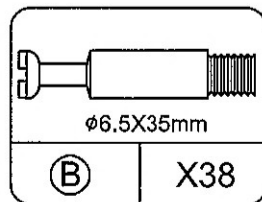
Not actual size



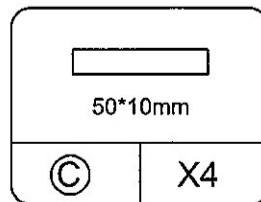
Part List



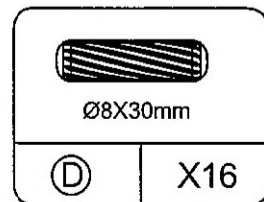
CAM LOCK
spare:3



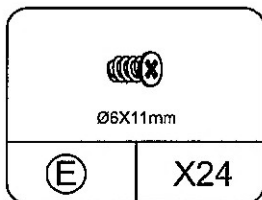
CAM BOLT
spare:3



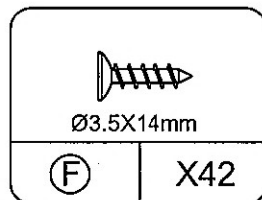
FLOOR-MATS
spare:1



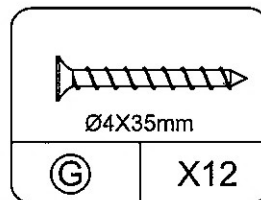
SCREW
spare:2



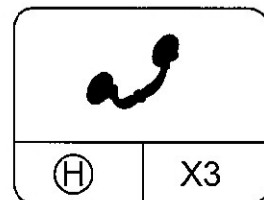
SCREW
spare:2



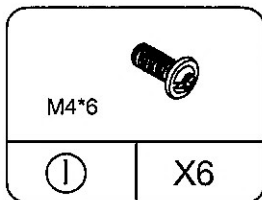
SCREW
spare:3



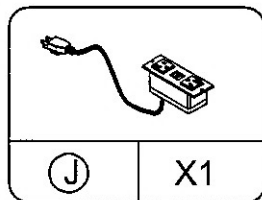
SCREW
spare:2



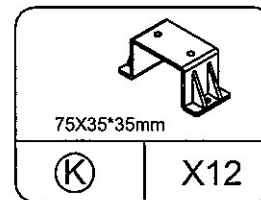
HANDLE



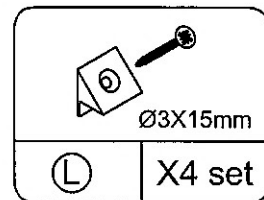
SCREW
spare:1



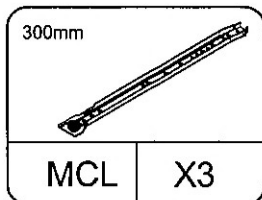
PLUG BOARD



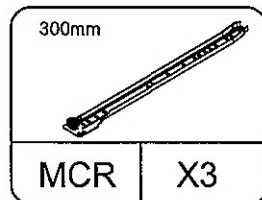
75X35*35mm



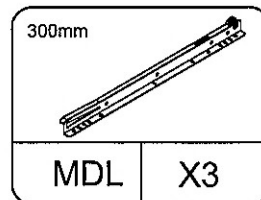
BACK PANEL BUCKLE
spare:1



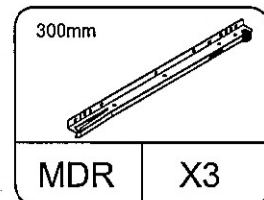
LEFT CABINET MEMBER



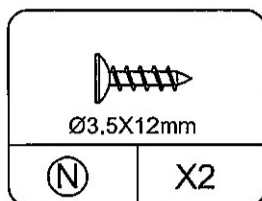
RIGHT CABINET MEMBER



LEFT DRAWER RUNNER



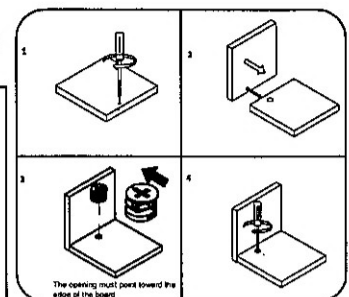
RIGHT DRAWER RUNNER



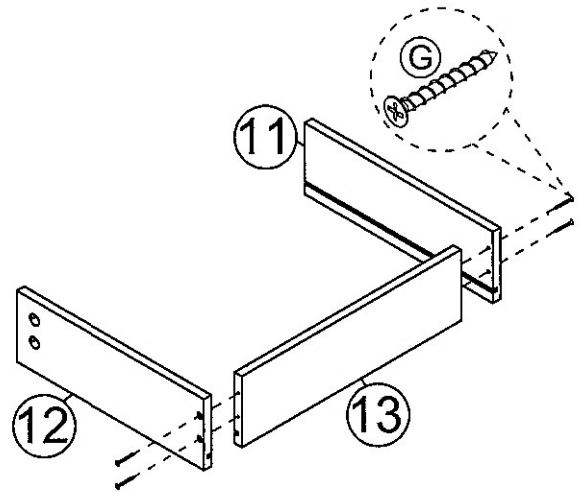
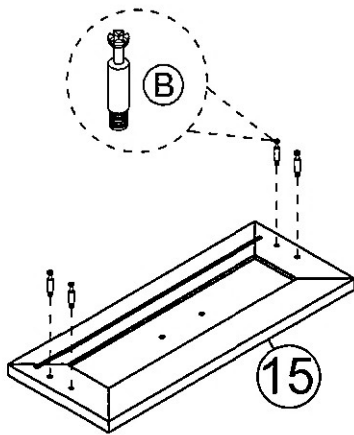
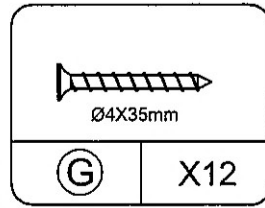
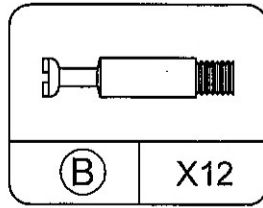
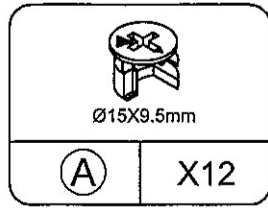
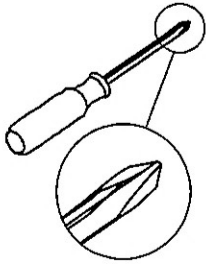
SCREW
spare:1

Insert the cam bolt into the hole first, then insert the cam lock and lock it.

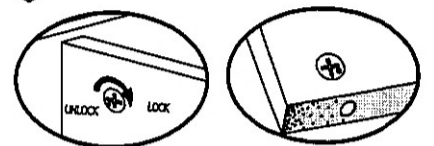
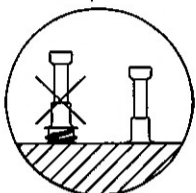
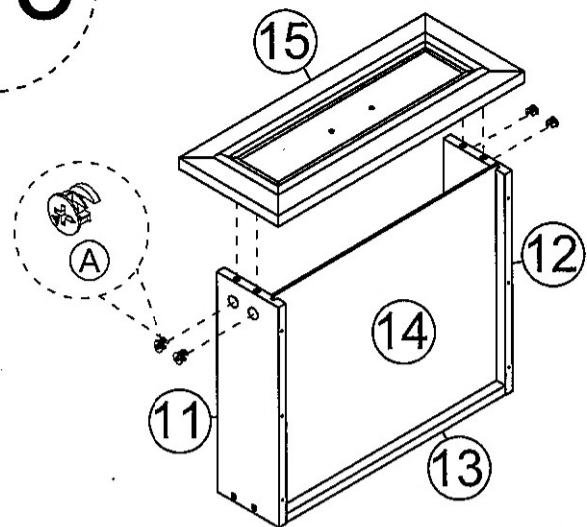
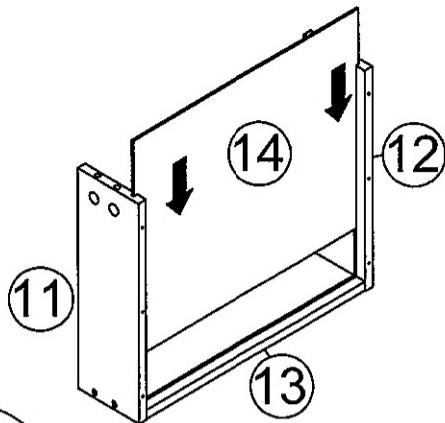
Cam Lock Fastening System



STEP 1

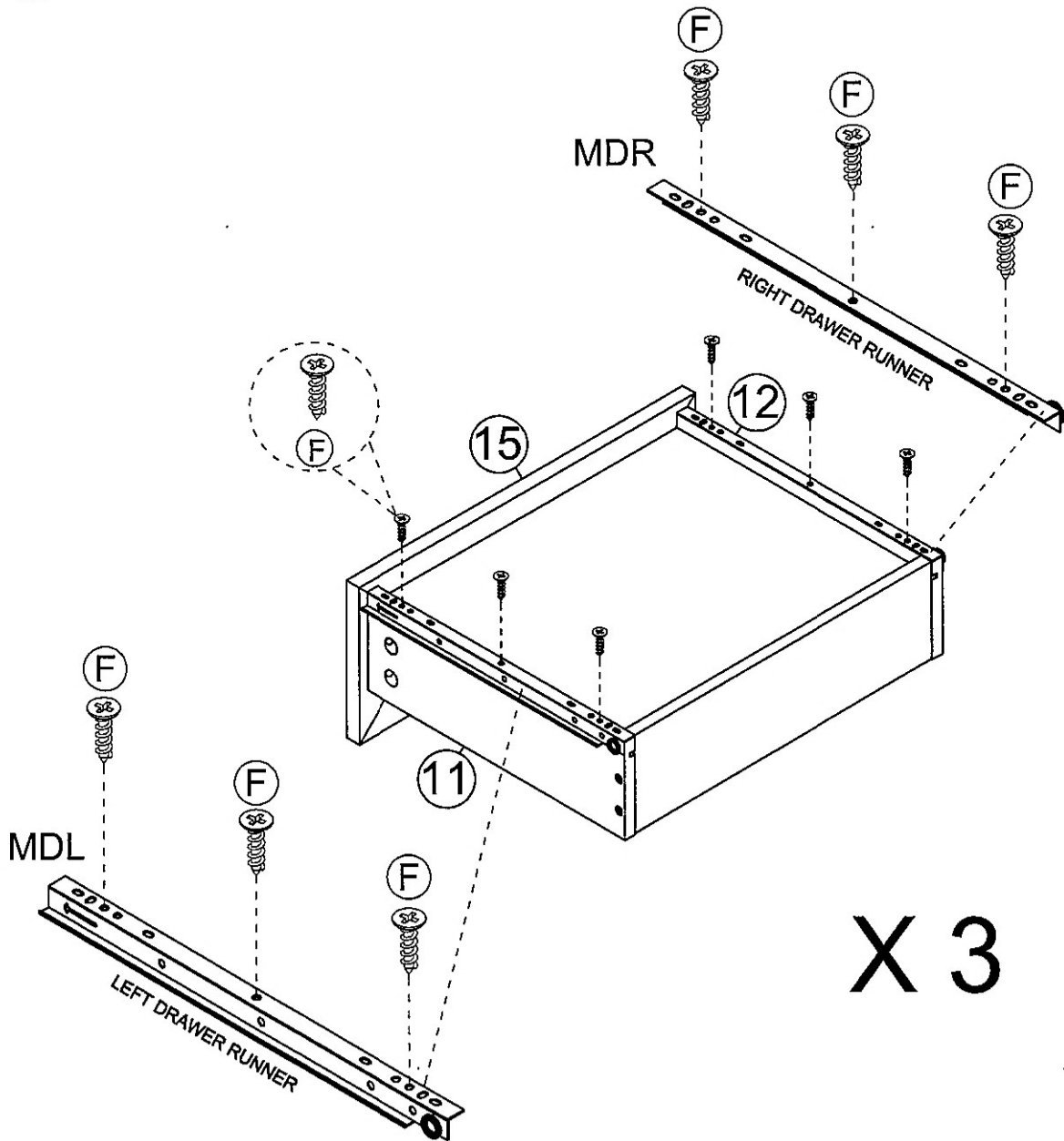
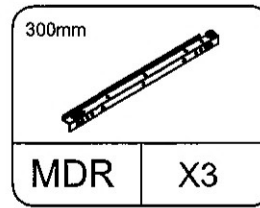
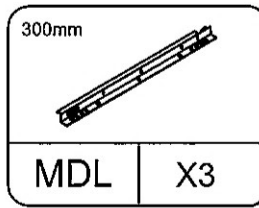
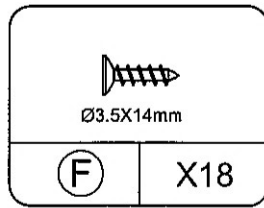
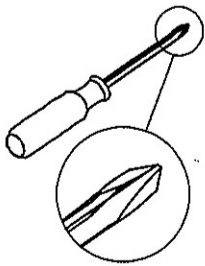


X 3

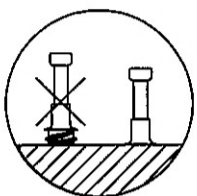
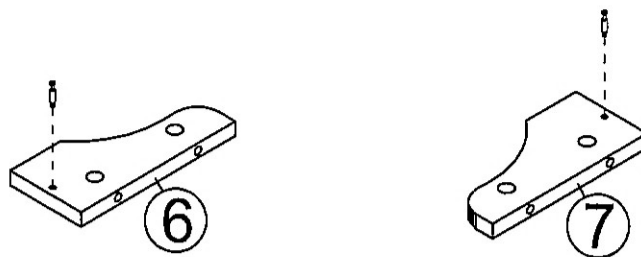
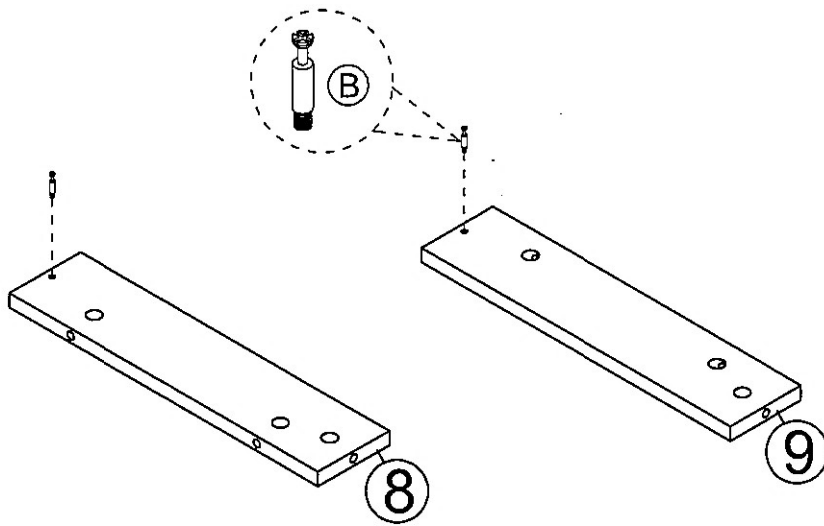
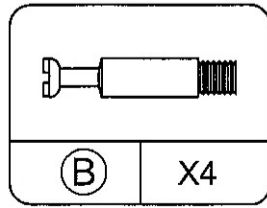
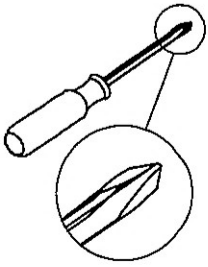


Proper orientation of CAM LOCK

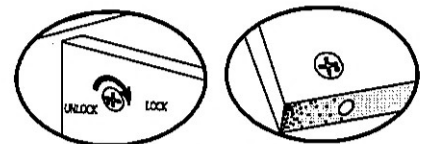
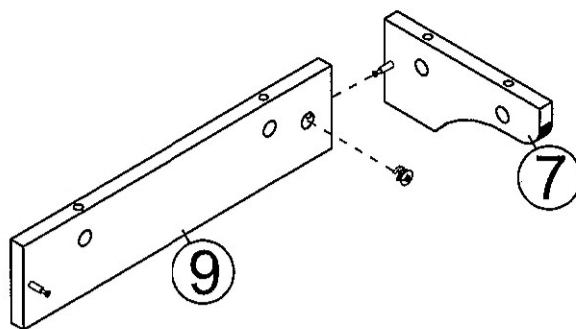
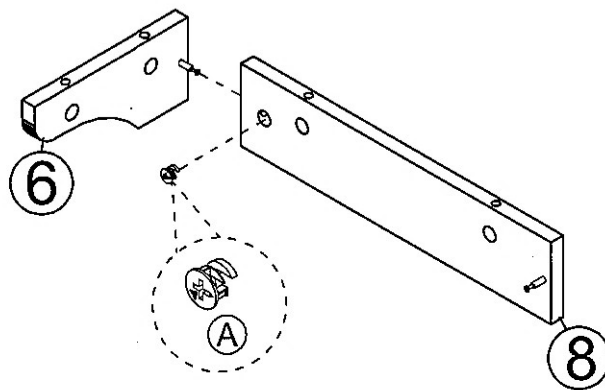
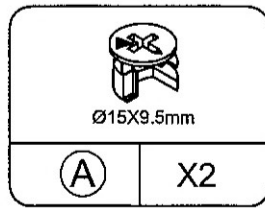
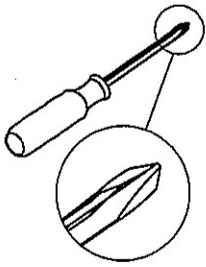
STEP 2



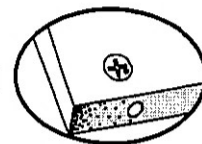
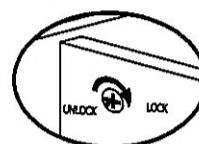
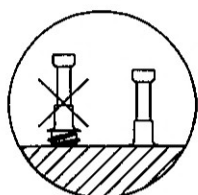
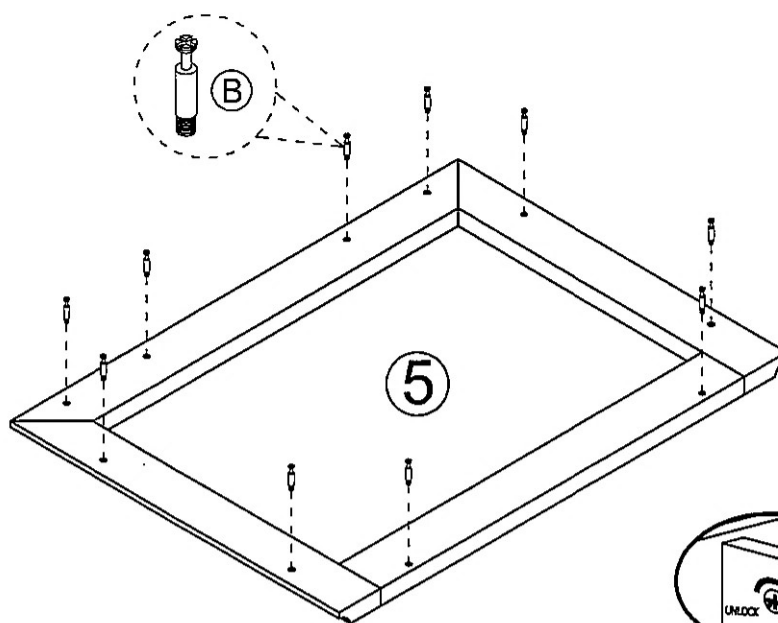
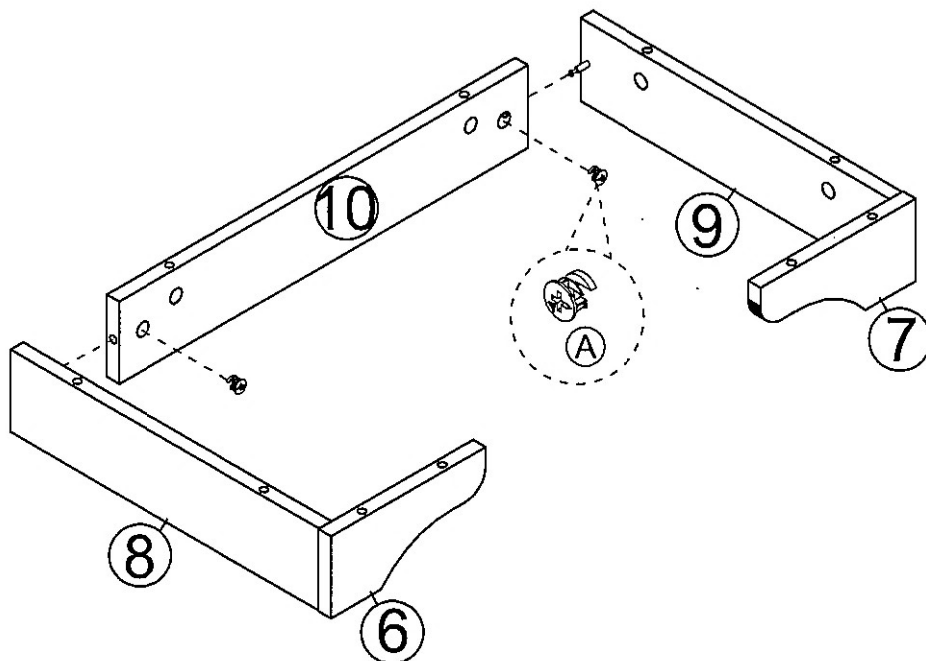
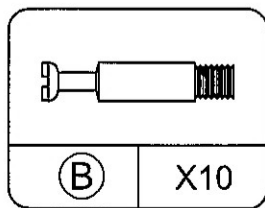
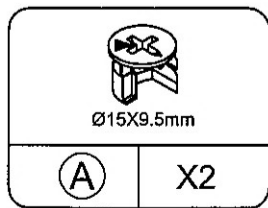
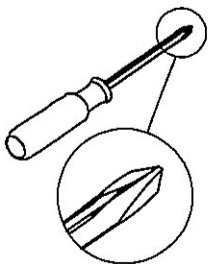
STEP 3



STEP 4

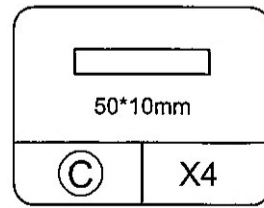
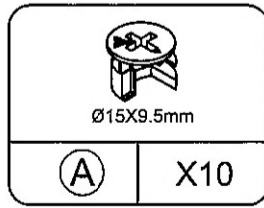
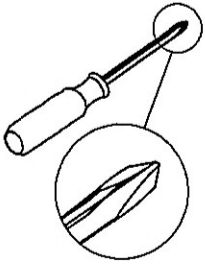


STEP 5

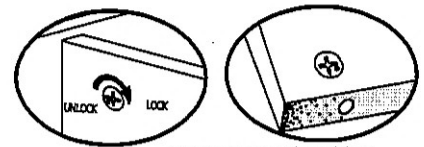
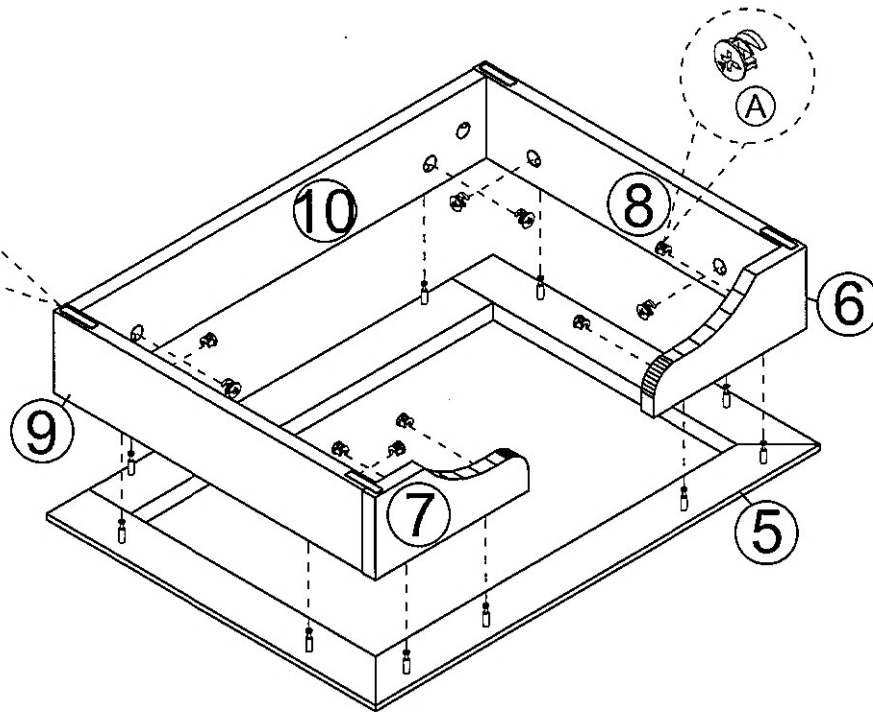


Proper orientation of CAM LOCK

STEP 6

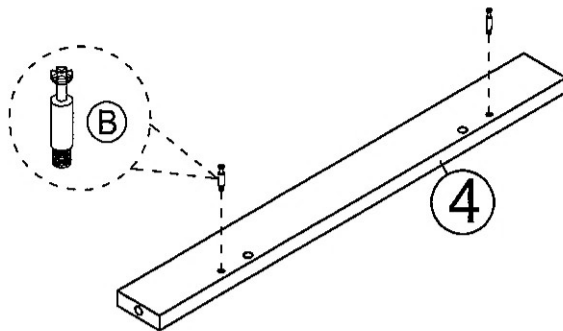
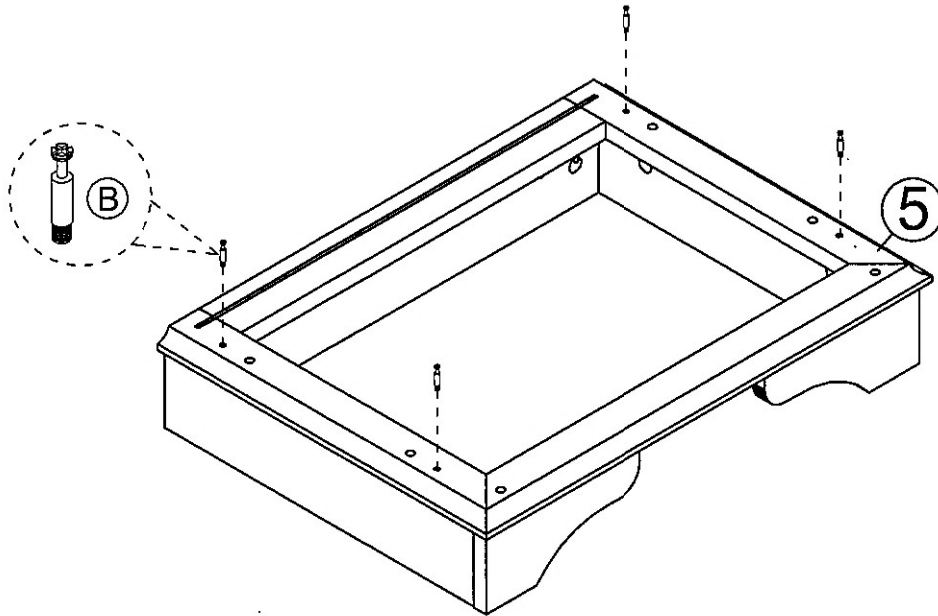
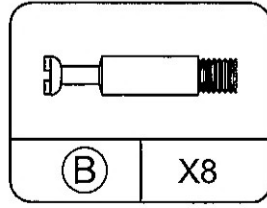
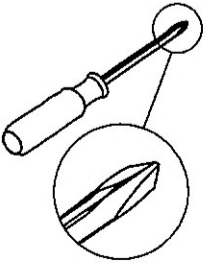


Tear the layer off then stick it on the side panel

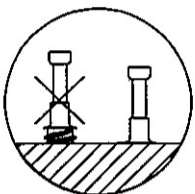


Proper orientation of CAM LOCK

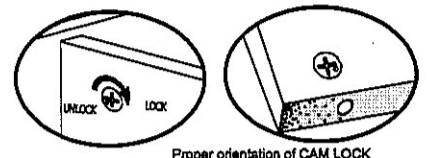
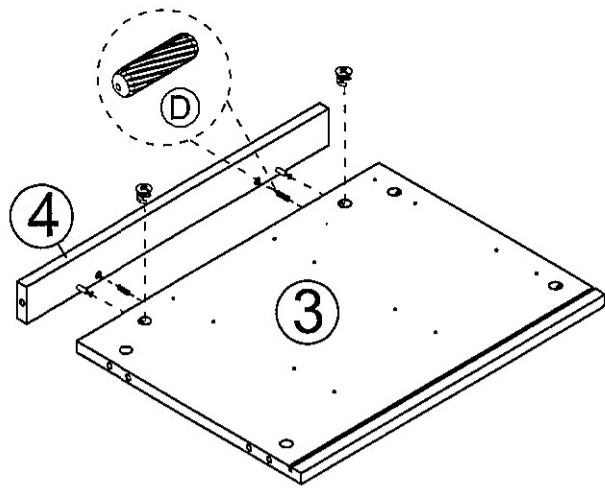
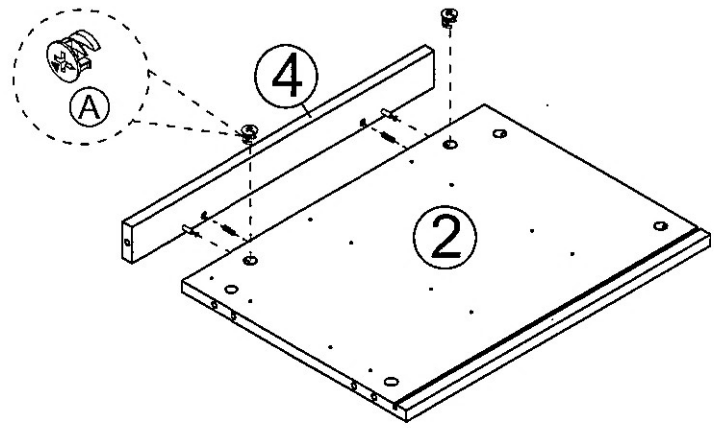
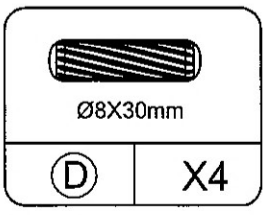
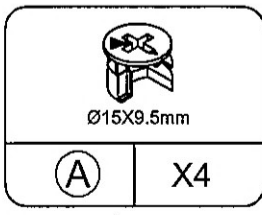
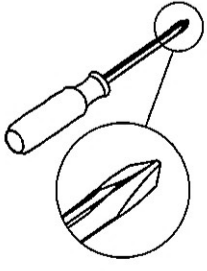
STEP 7



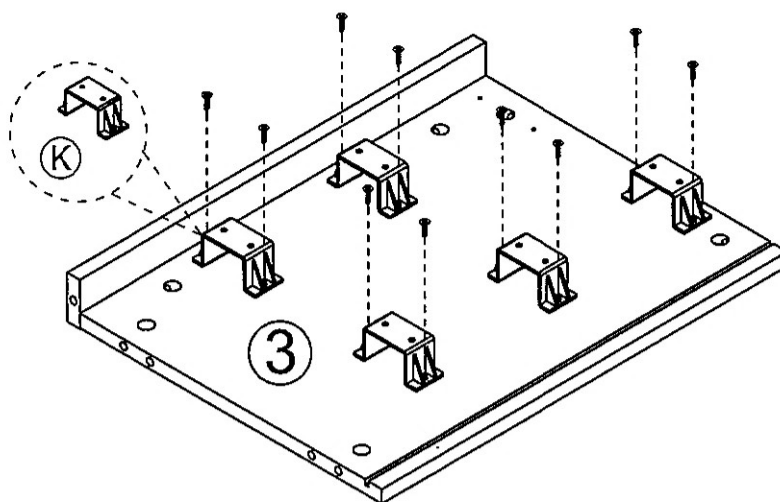
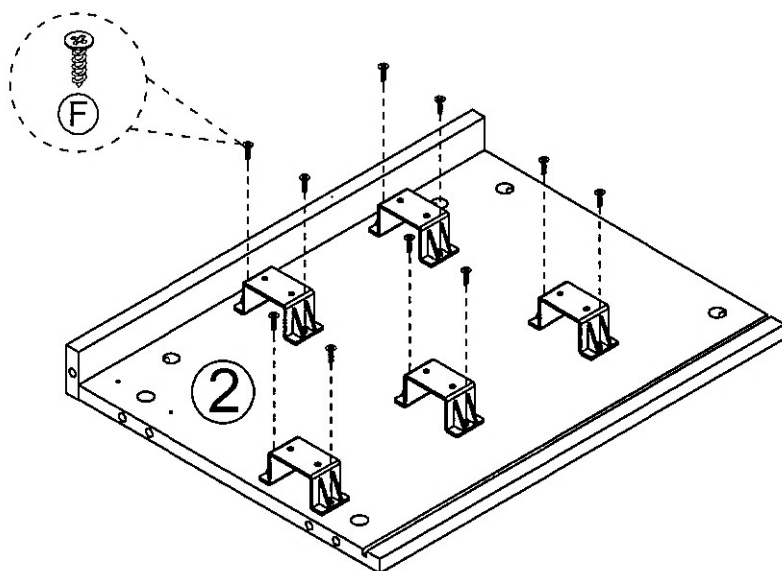
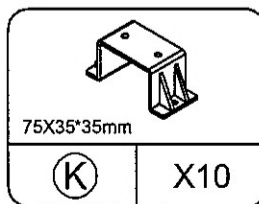
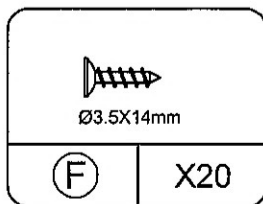
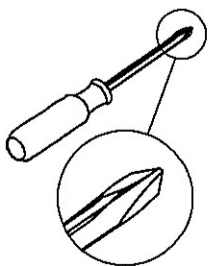
X 2



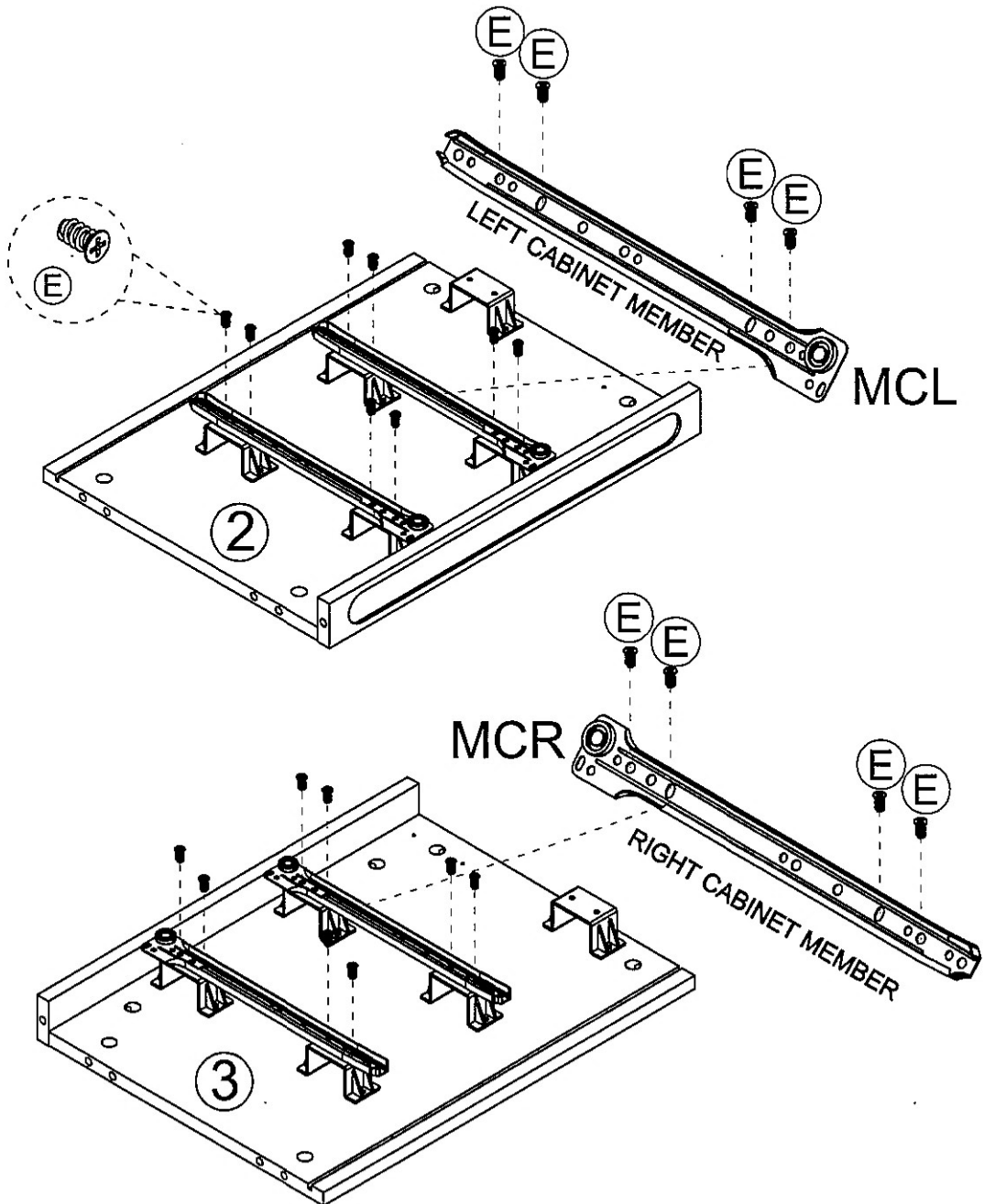
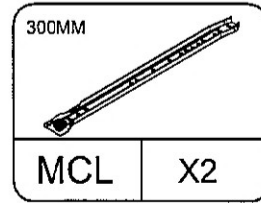
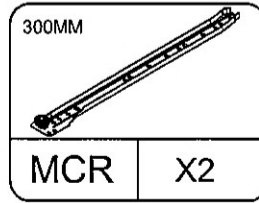
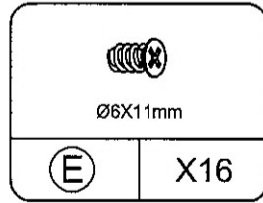
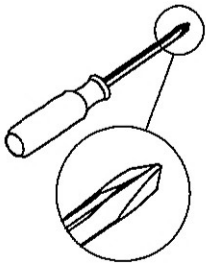
STEP 8



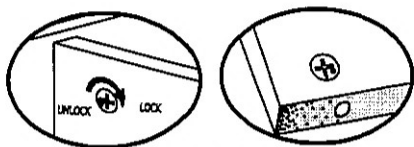
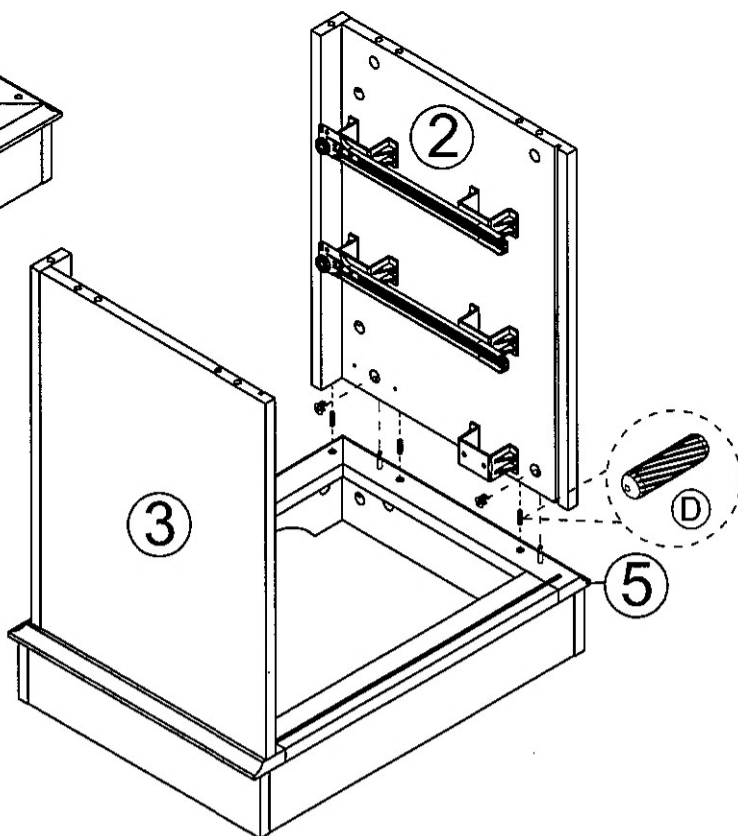
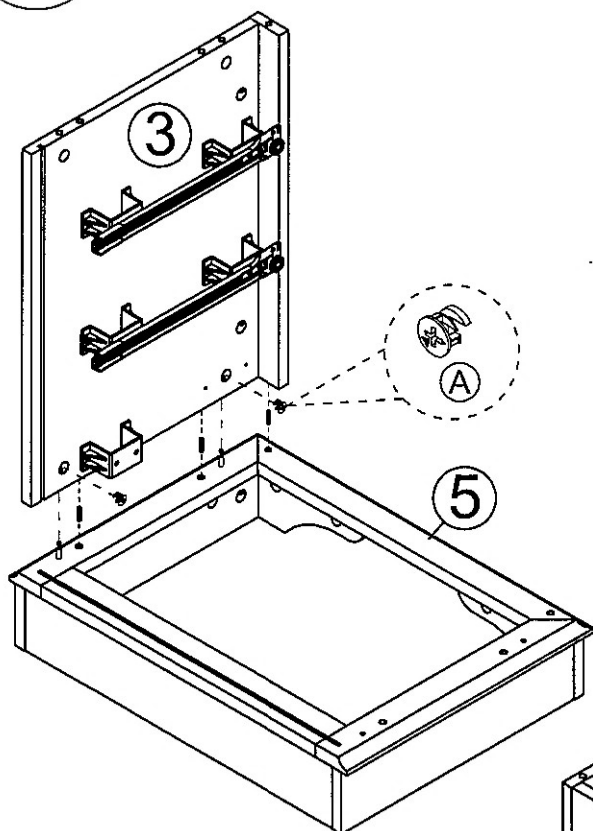
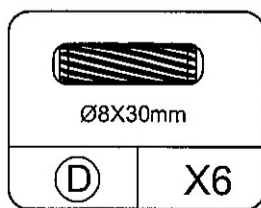
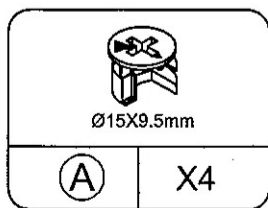
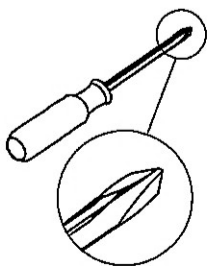
STEP 9



STEP 10

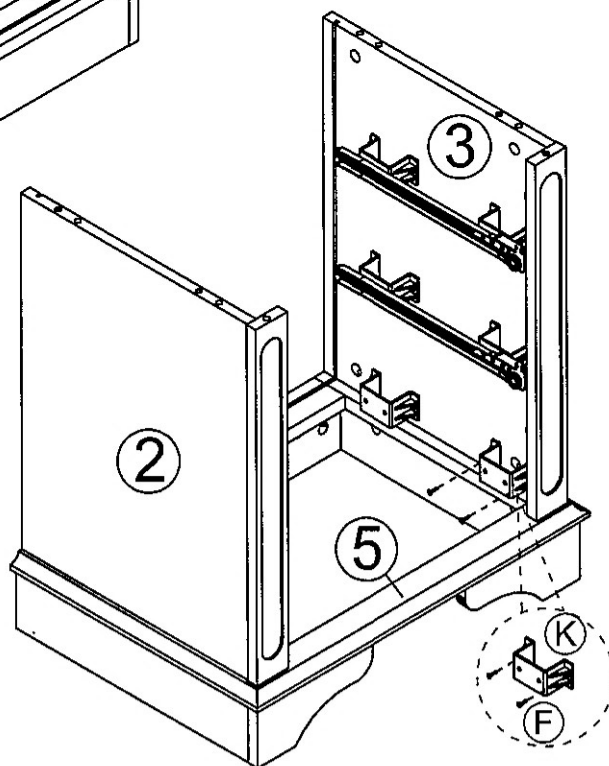
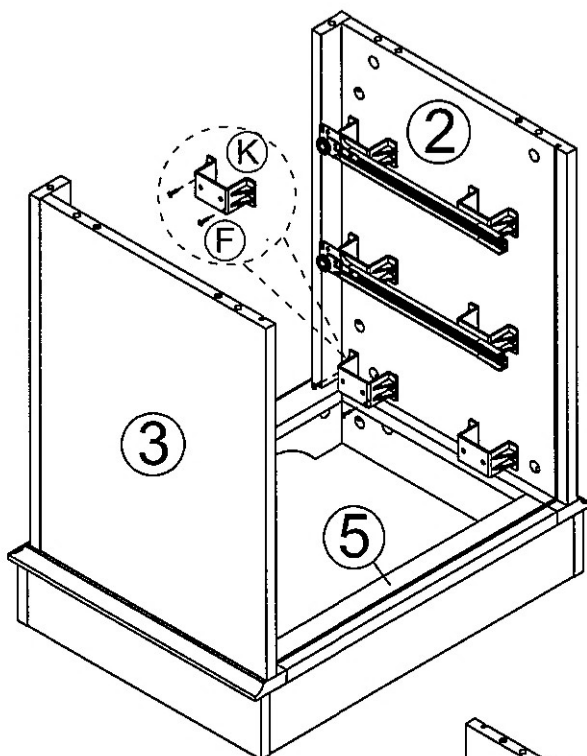
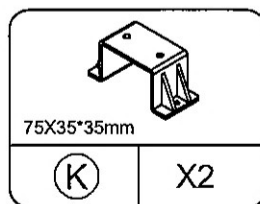
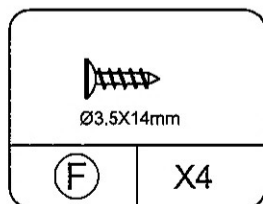
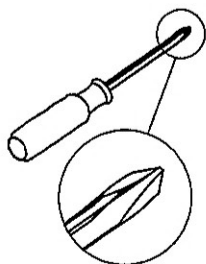


STEP 11

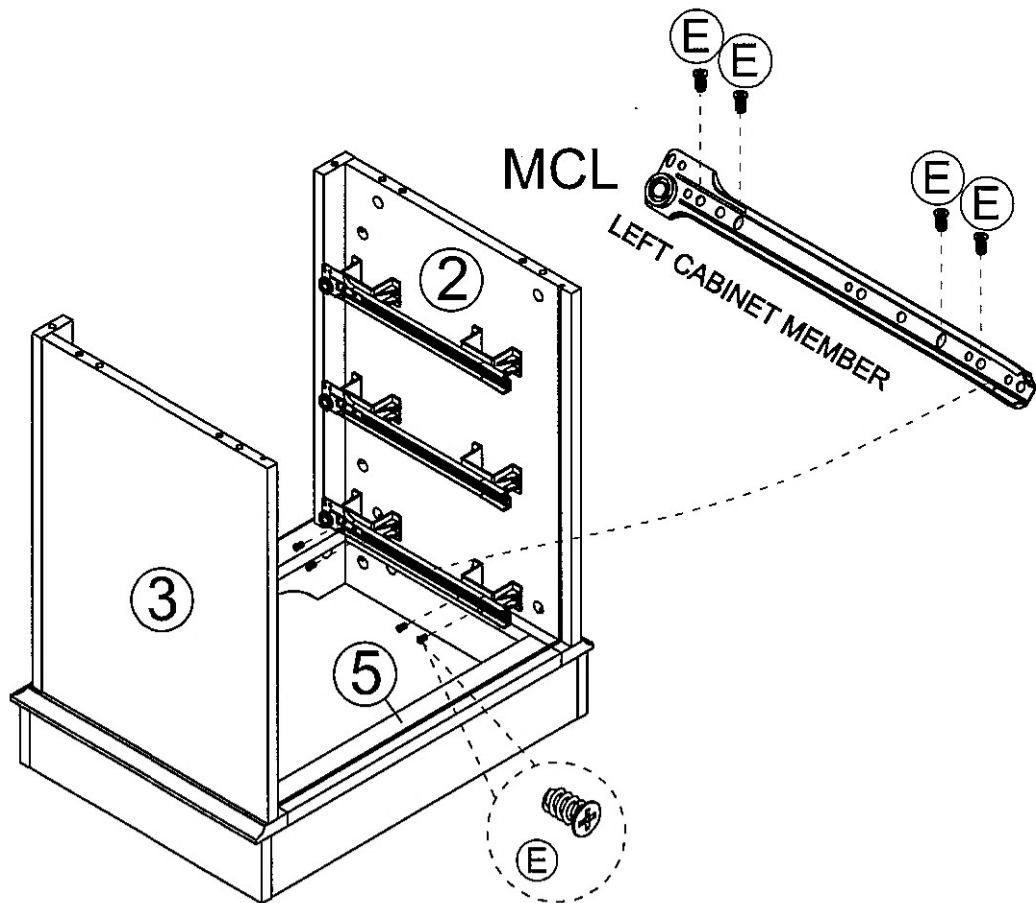
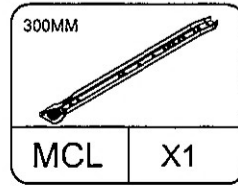
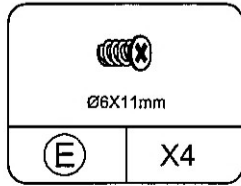
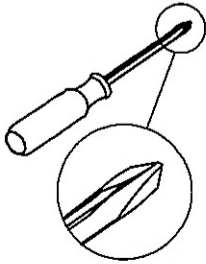


Proper orientation of CAM LOCK

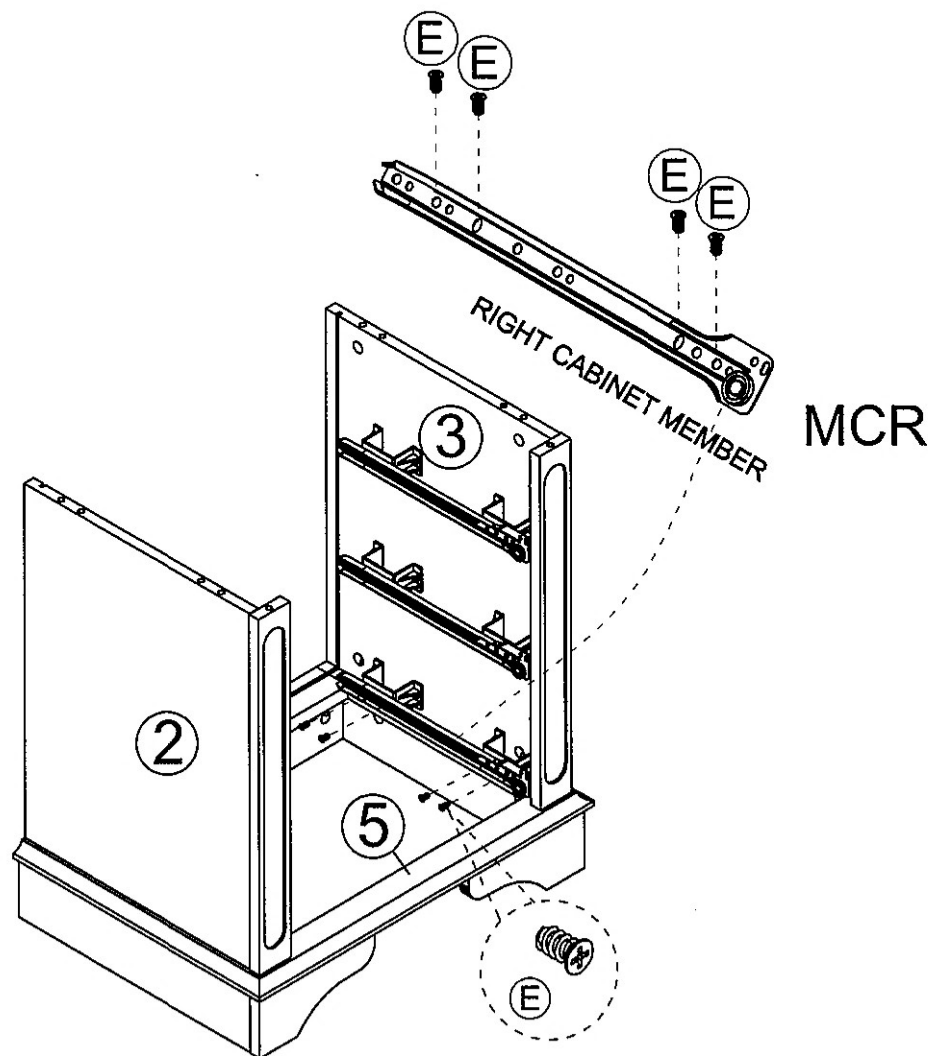
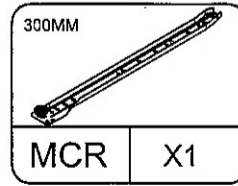
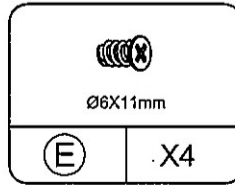
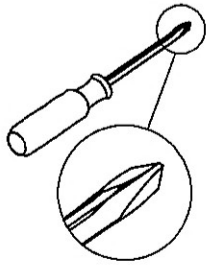
STEP 12



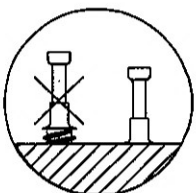
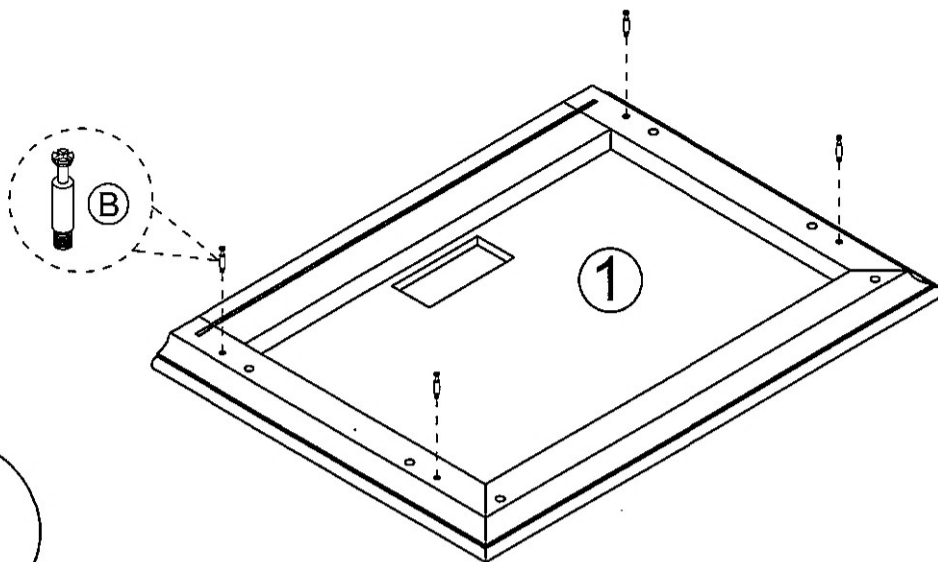
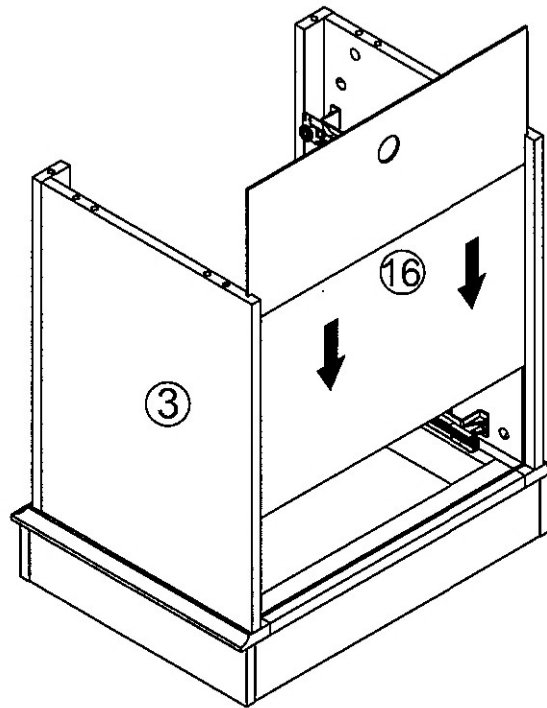
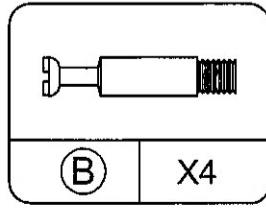
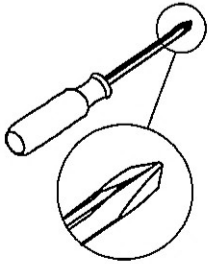
STEP 13



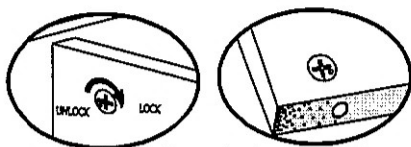
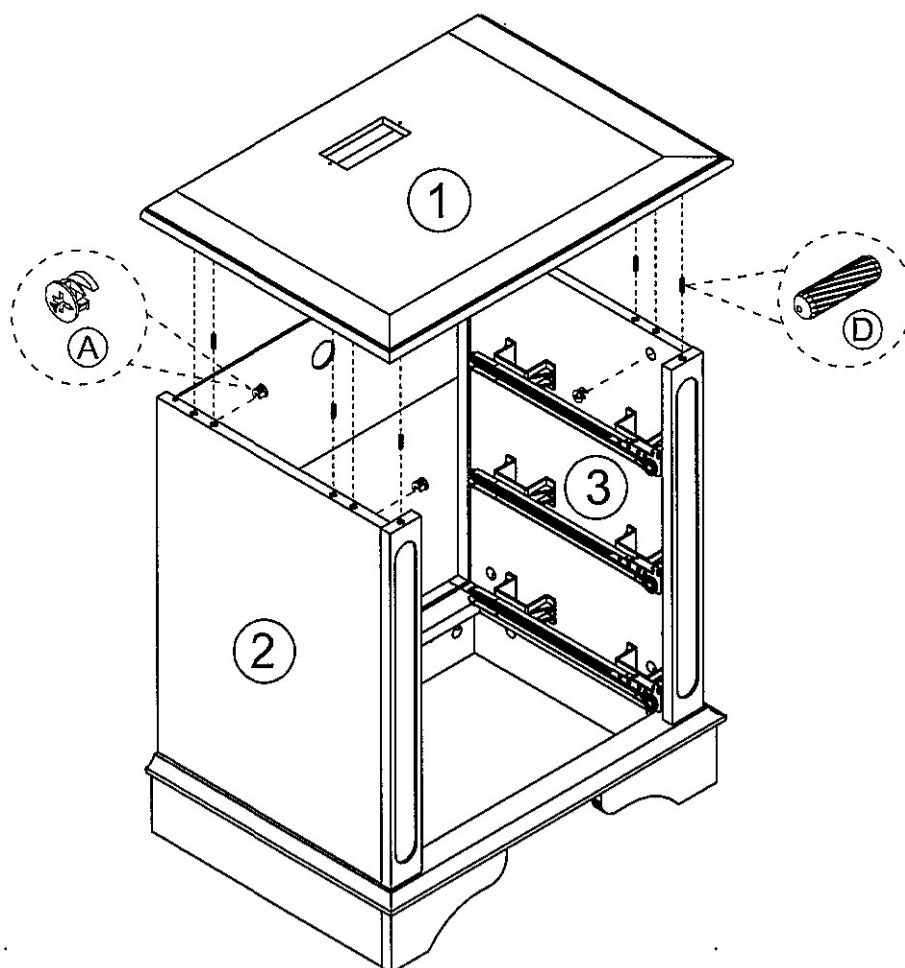
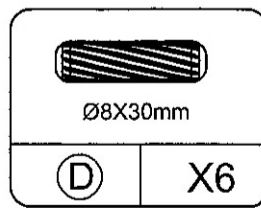
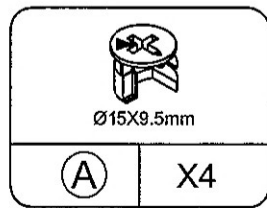
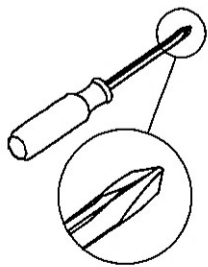
STEP 14



STEP 15

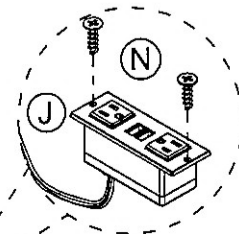
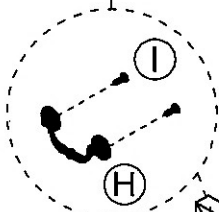
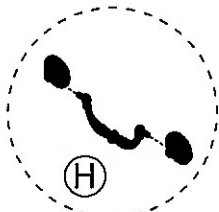
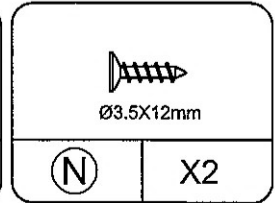
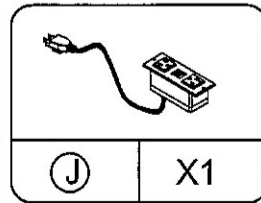
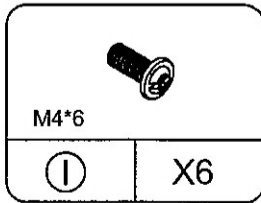
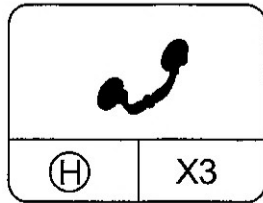
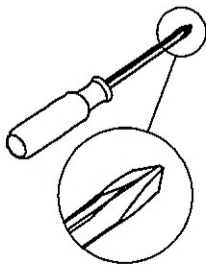


STEP 16

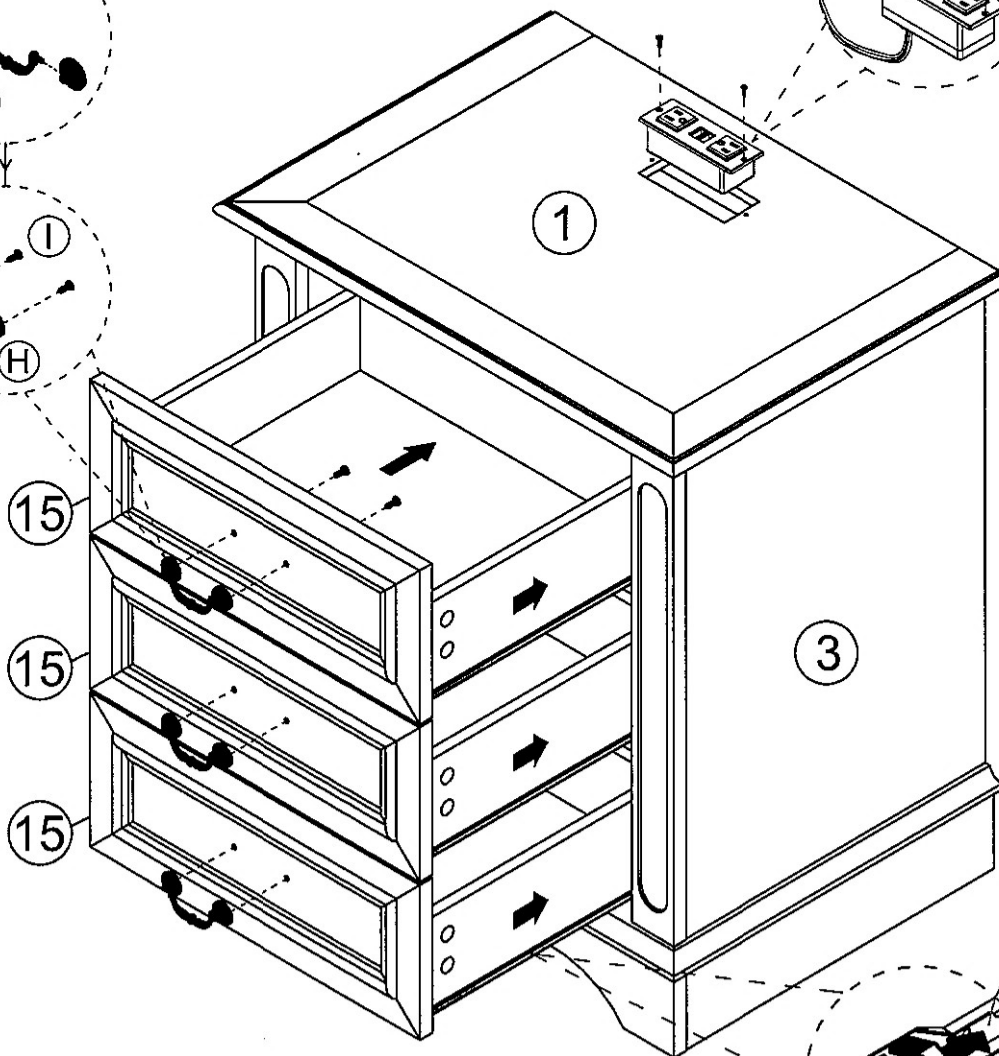


Proper orientation of CAM LOCK

STEP 17



The power of using electrical appliances cannot exceed 1500W



STEP 18

