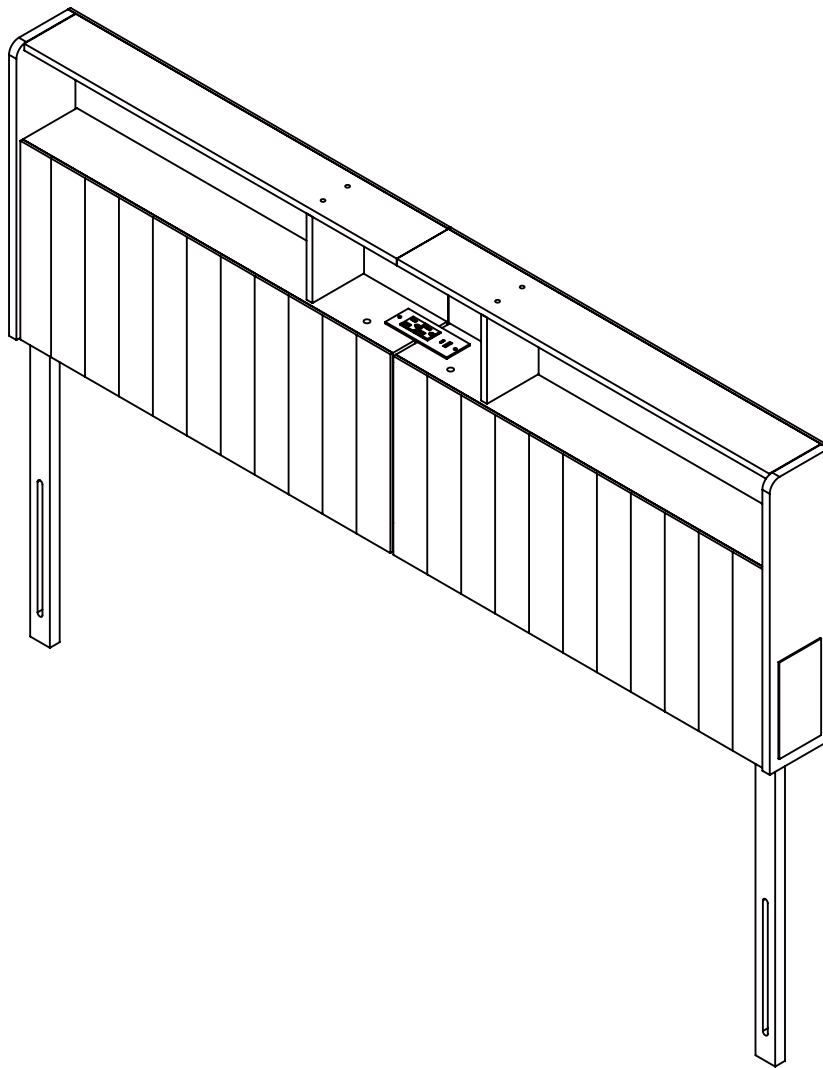


# ASSEMBLY INSTRUCTIONS

DEAR CUSTOMER,

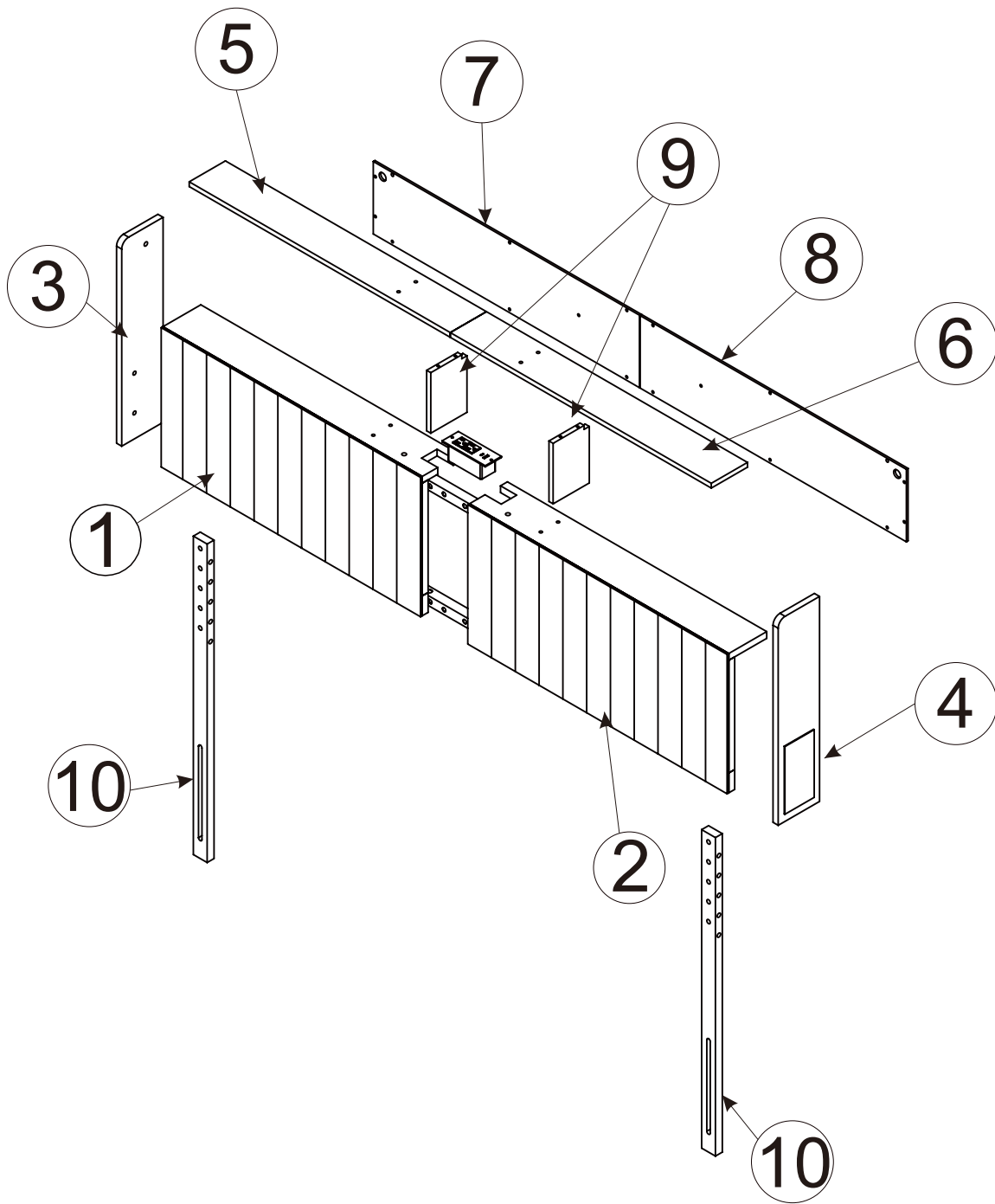
Caution:

1. Please read all instructions before assembly and check the carton for any parts that may have come loose during shipment. It is recommended to use two or more persons during the assembly process.
2. Please do not discard any packaging before you have checked all the parts and fittings are included. If for any reason this product needs to be returned it must be returned packed in its original packaging.
3. Assemble this product on a flat and clean surface to avoid scratching.



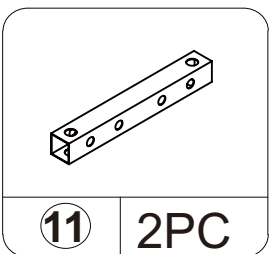
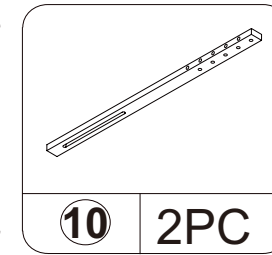
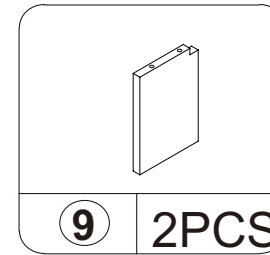
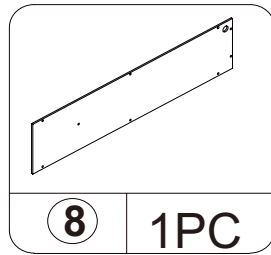
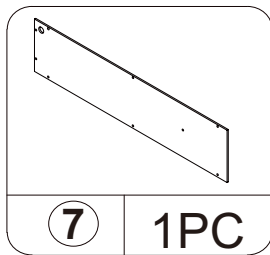
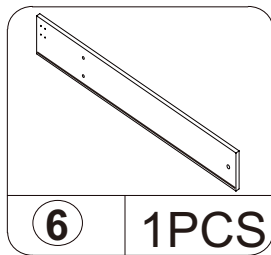
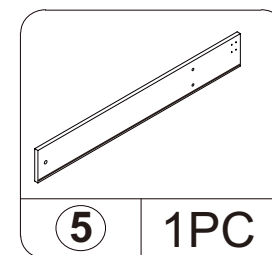
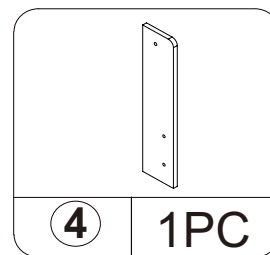
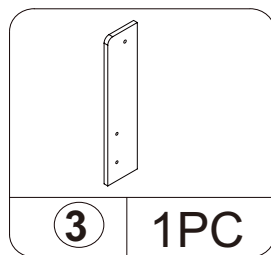
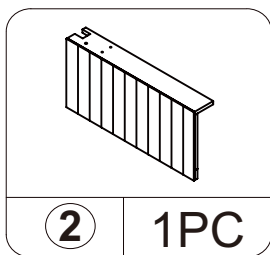
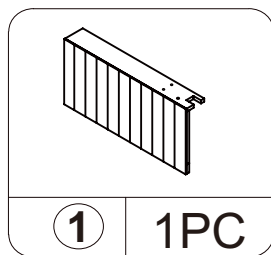
- I. Ensure that all parts and hardware are available before beginning assembly.
- II. Follow each step carefully to ensure the proper assembly of the product.
- III. Two people are recommended for ease in the assembly of this product.

# GENERAL ASSEMBLY GUIDELINES

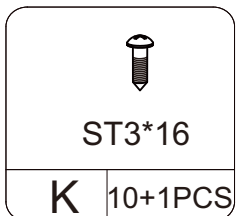
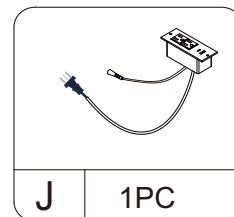
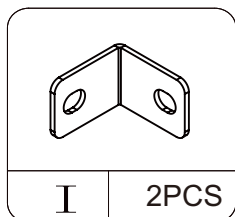
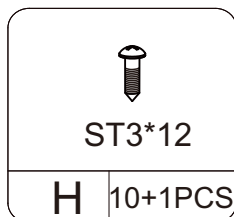
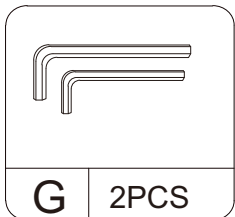
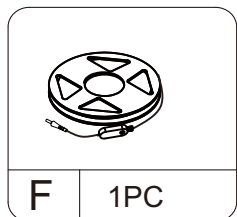
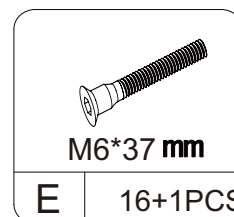
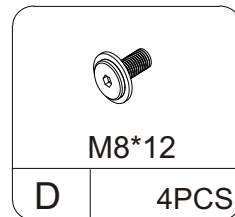
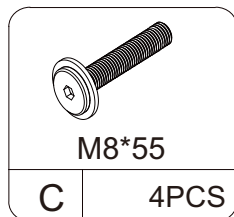
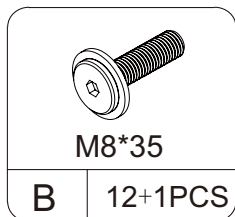
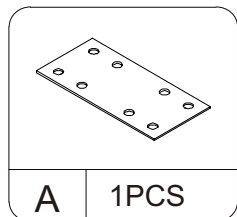


# Hardware List

 **Pls make sure all the accessories are complete!**



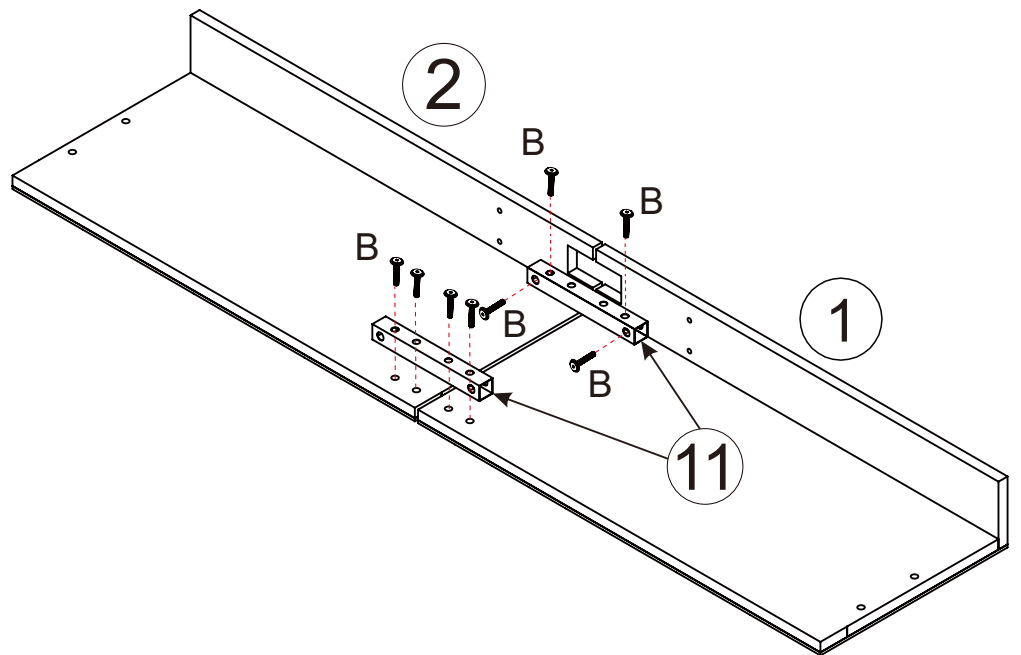
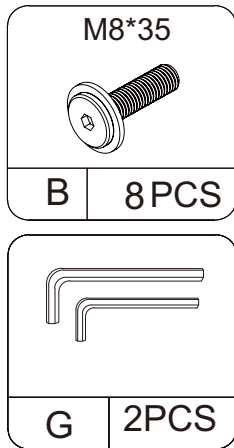
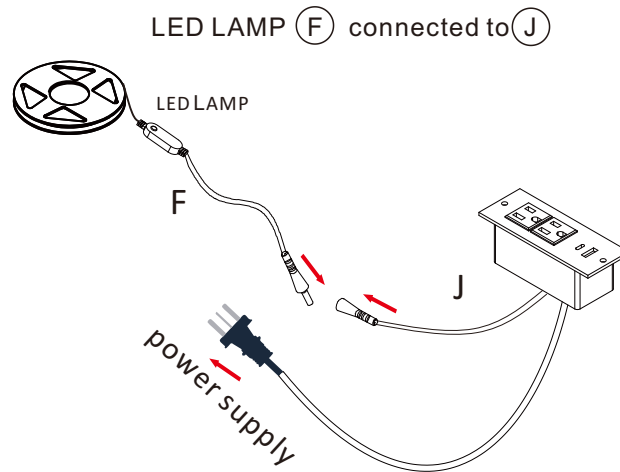
## HARDWARE



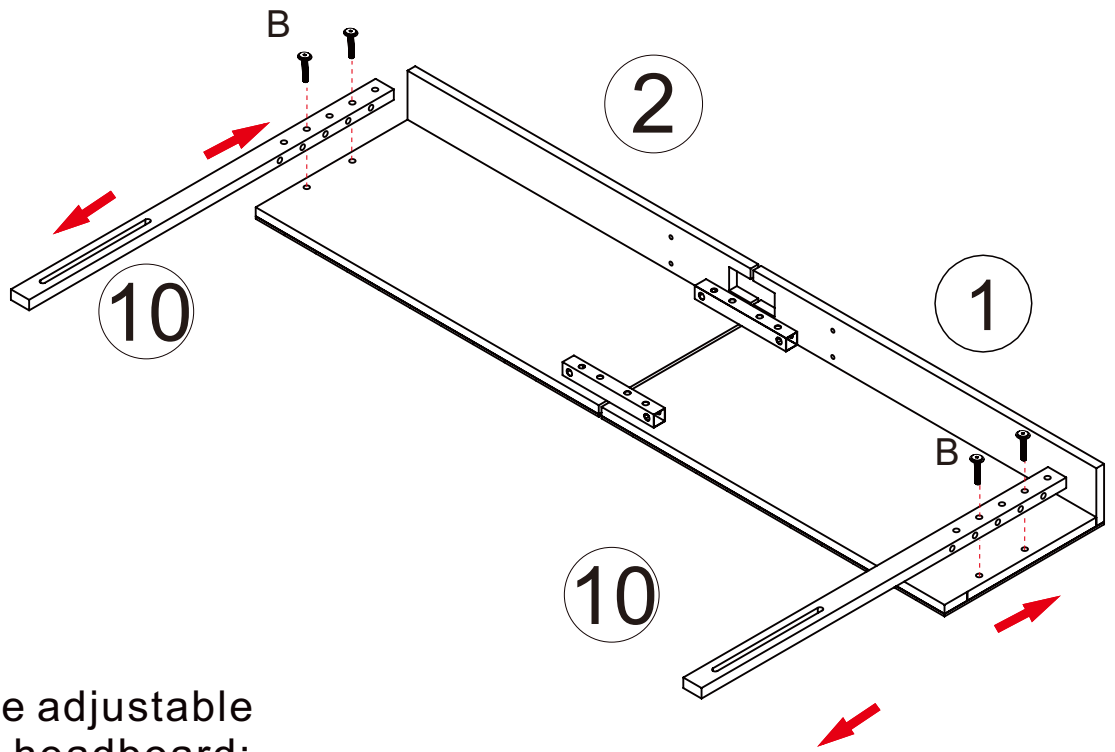
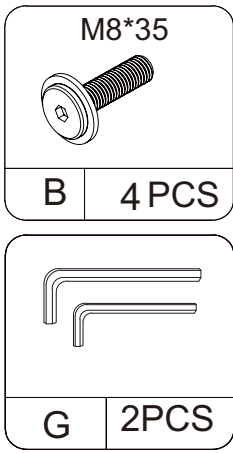
## You can choose mobile control or button Control

### Mobile phone control steps:

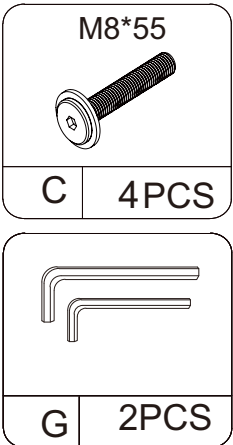
- 1.Connect LED Lamp and RF RGB Controller.
- 2.Plug in the Adaptor Power supply.
- 3.download the software HappyLighting.
- 4.Turn on the Bluetooth function of the mobile phone and search for Bluetooth pairing "Trinoes".
- 5.Open the "Happy lighting" APP and switch colors change,etc.



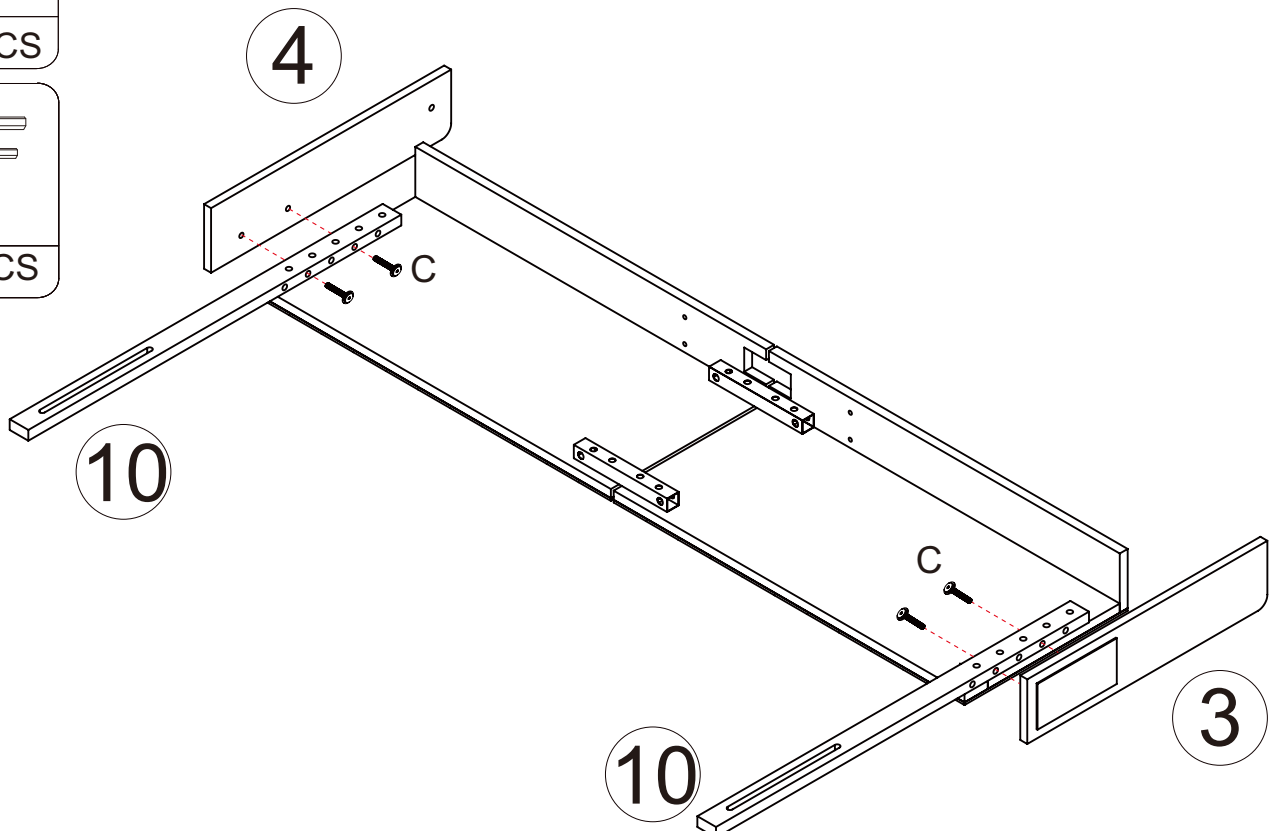
1



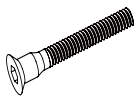
There are three adjustable heights for the headboard: 1000mm, 1050mm and 1100mm.



After the installation of components No. 3 and No. 4 is completed, keep the lower side of the headstock level.

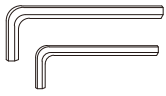


The side with the hole face backward.

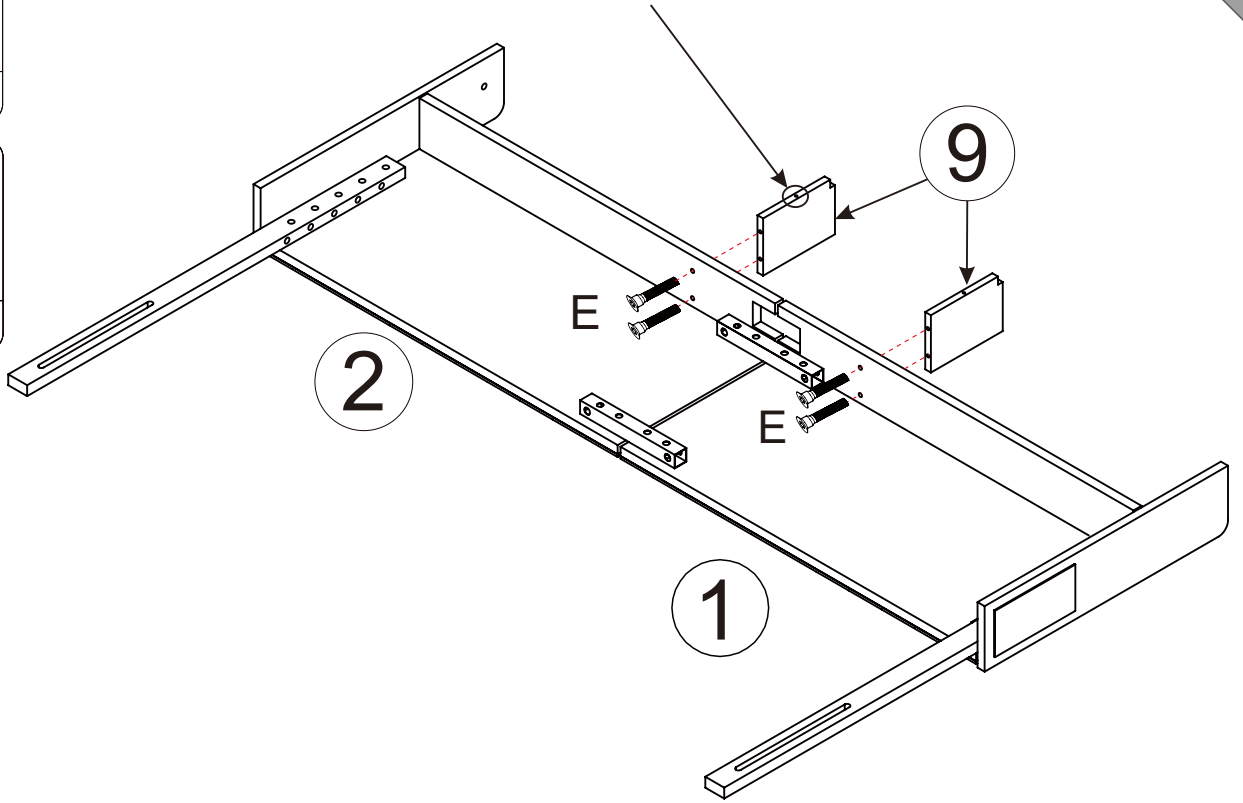


M6\*37 mm

E 4PCS

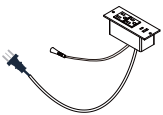


G 2PCS

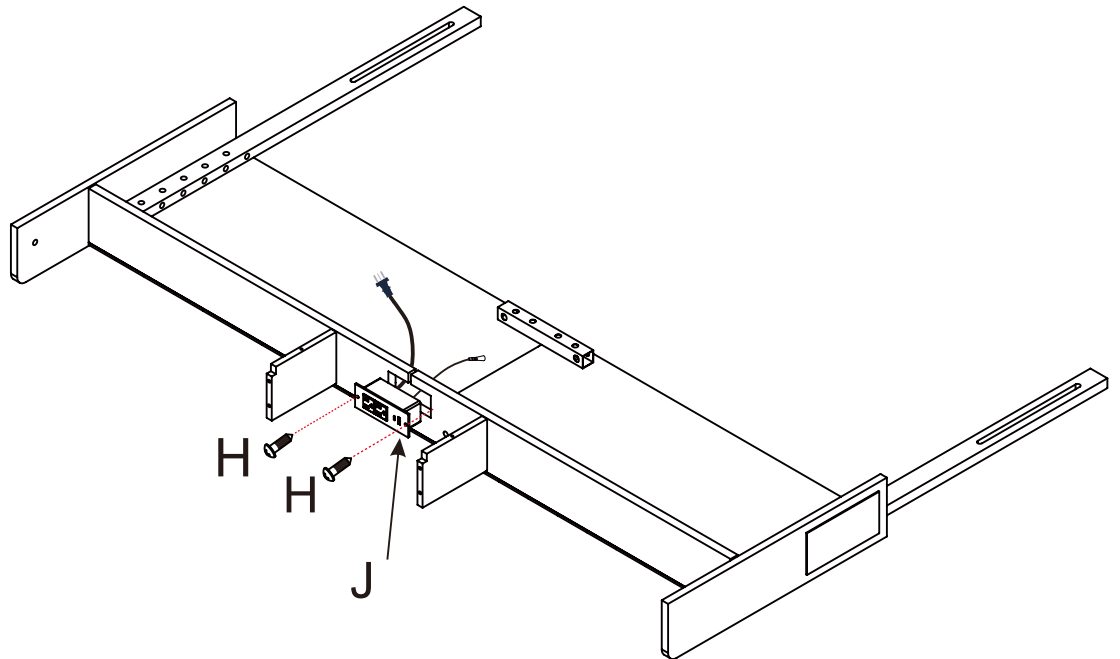



ST3\*12

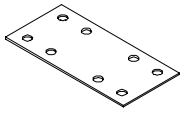
H 2 PCS

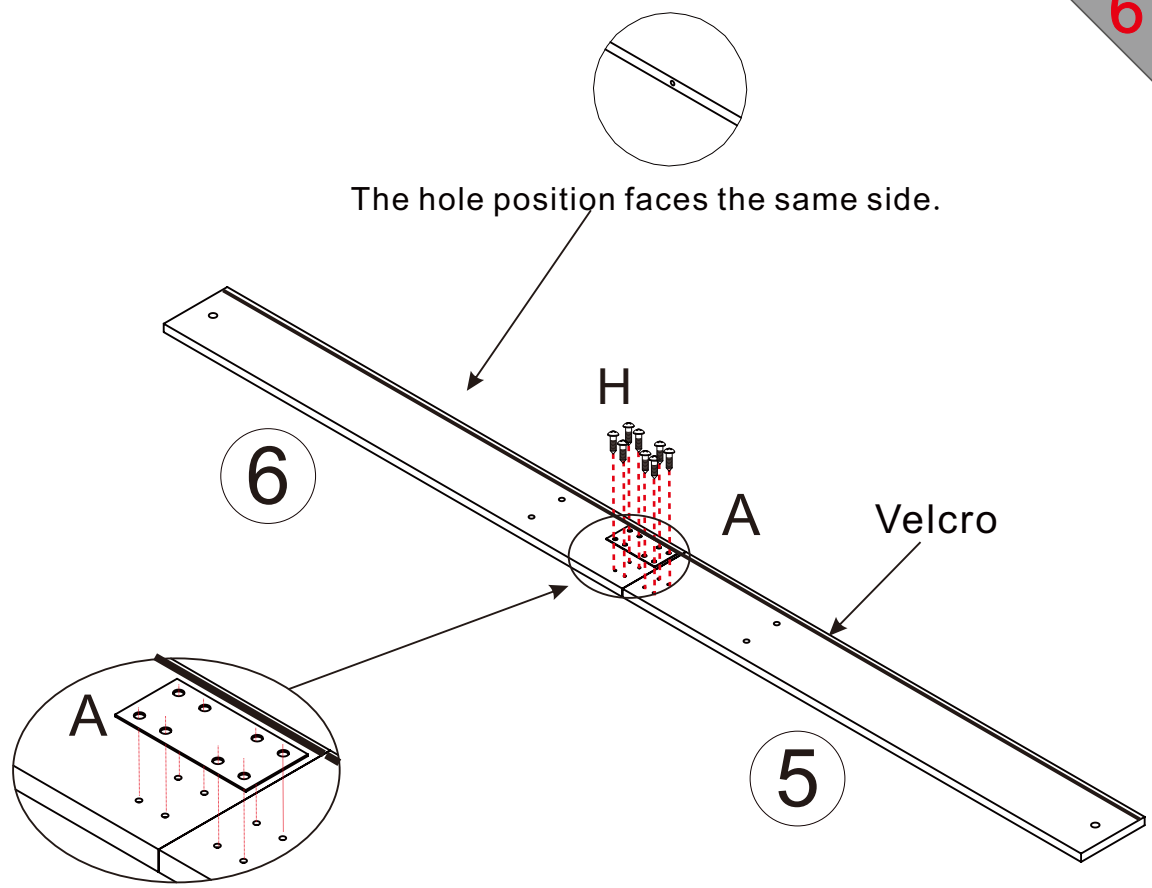


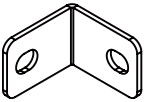
J 1PCS





	
ST3*12	
H	8 PCS

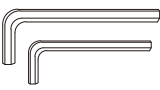
	
A	1 PCS

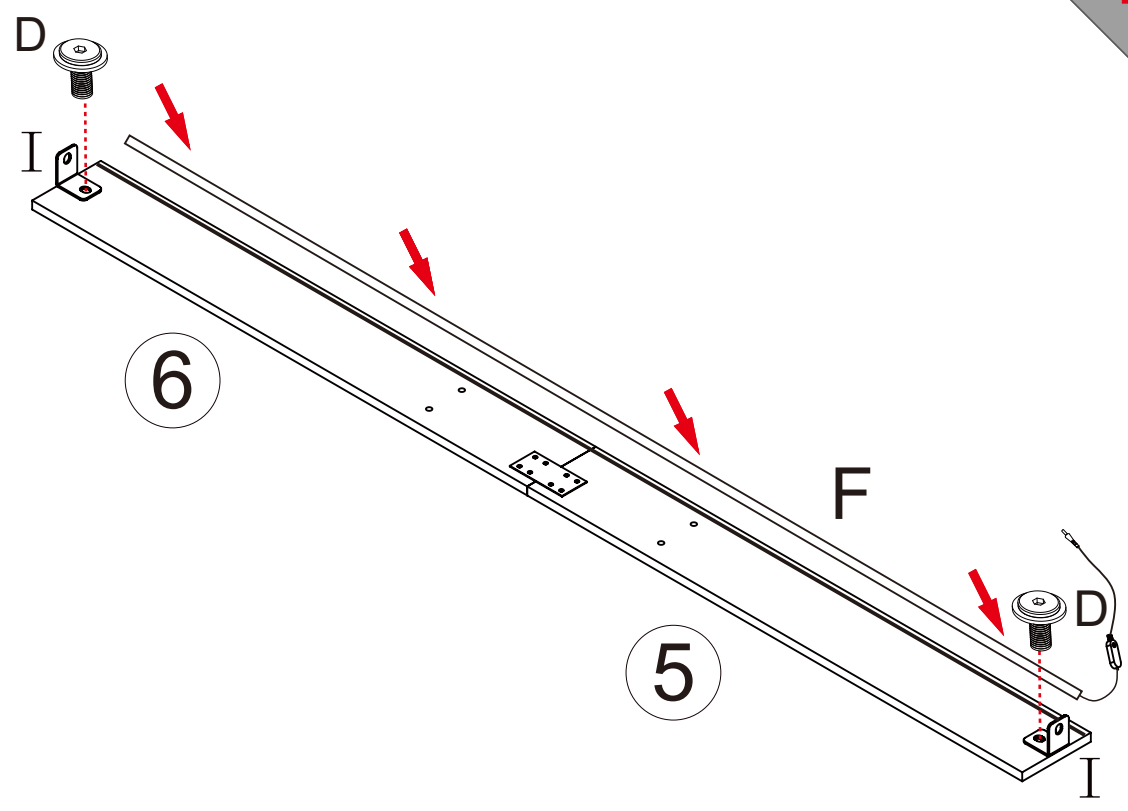


	
I	2 PCS

	
M8*12	
D	2 PCS

	
F	1 PCS

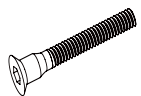
	
G	2 PCS



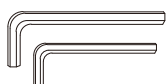


M8\*12

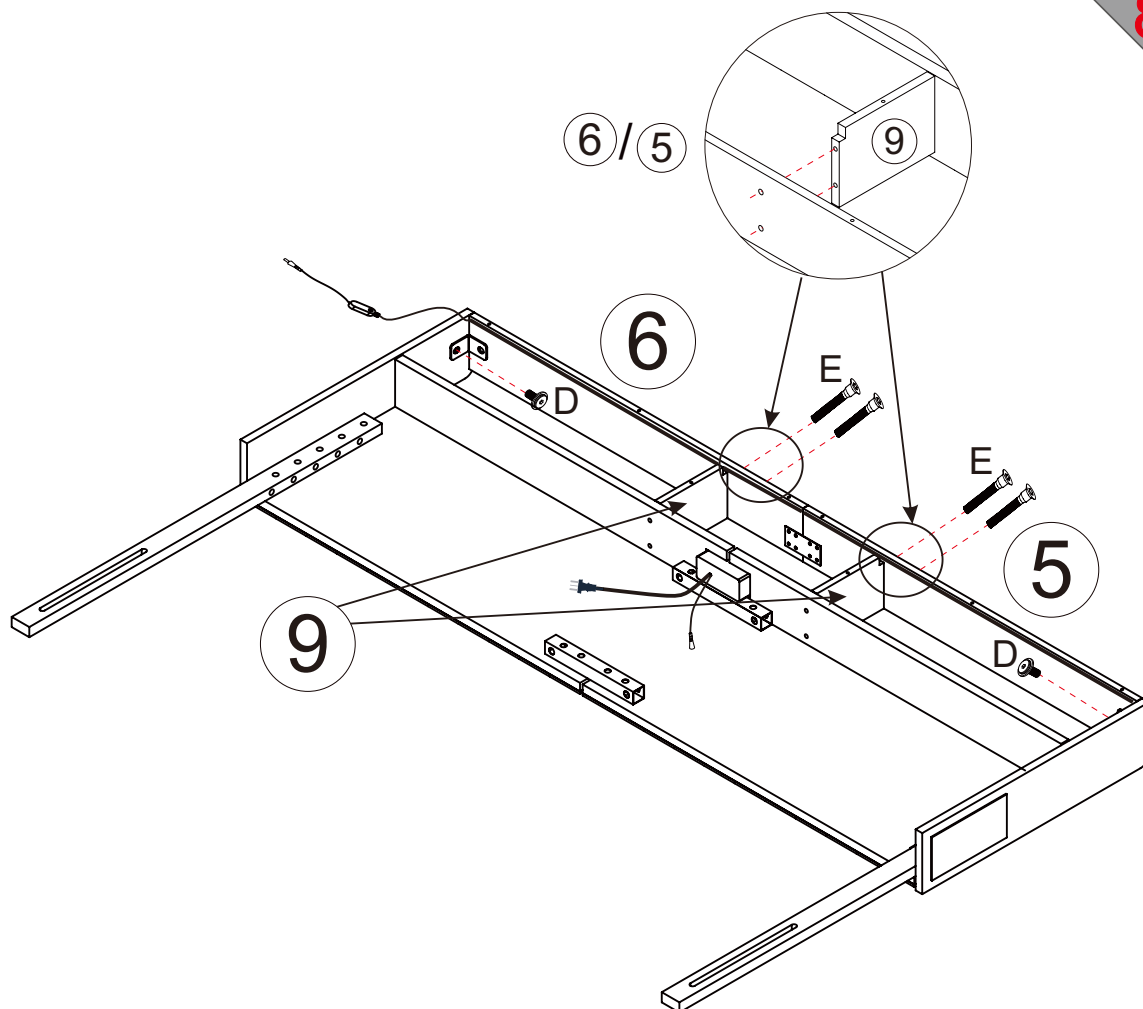
D 2 PCS



E 4PCS

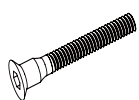


G 2PCS



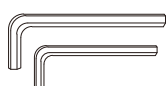
ST3\*16

K 10PCS

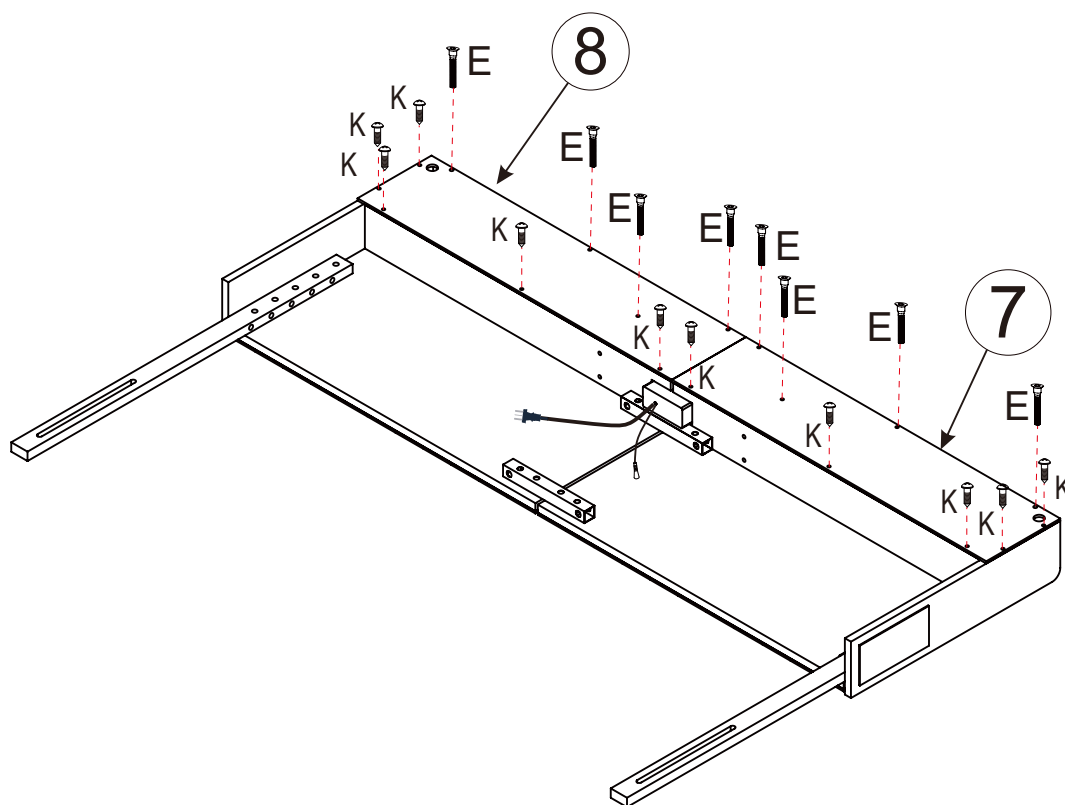


M6\*37 mm

E 8PCS



G 2PCS



Thread the LED strip through the hole

