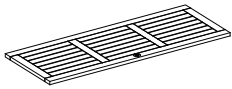
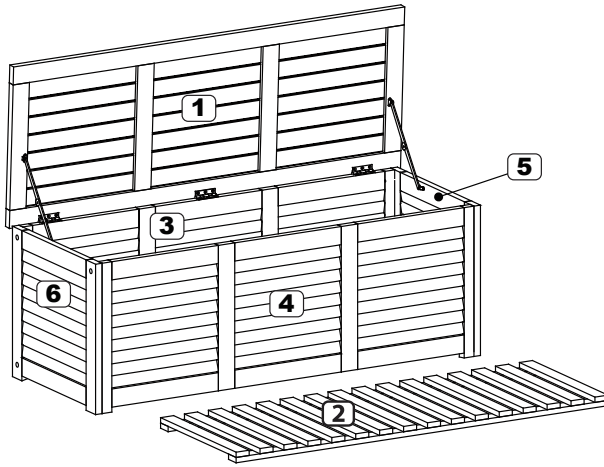


Storage Box

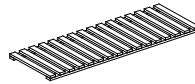


Before You Start

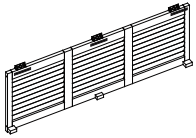
- ⚠ Please read all instructions carefully.
- ⚠ Retain instructions for future reference.
- ⚠ Separate and count all parts and hardware.
- ⚠ Read through each step carefully and follow the proper order.
- ⚠ We recommend that, where possible, all items are assembled near to the area in which they will be placed in use, to avoid moving the product unnecessarily once assembled.
- ⚠ Always place the product on a flat, steady and stable surface.
- ⚠ Keep all small parts and packaging materials for this product away from babies and children as they potentially pose a serious choking hazard.



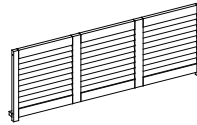
① x1
Top Panel



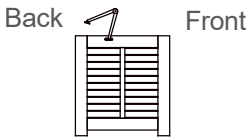
② x1
Bottom Panel



③ x1
Back Panel



④ x1
Front Panel



⑤ x1
Left Side Panel



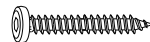
⑥ x1
Right Side Panel



Ⓐ x2
M4 Allen Key

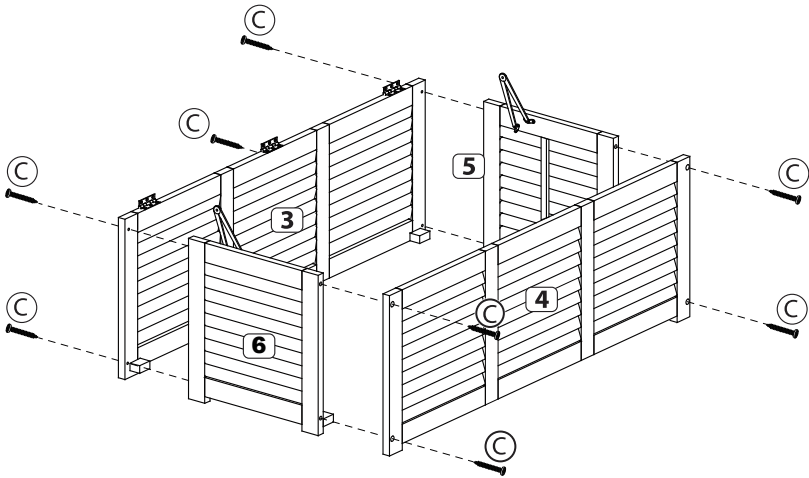
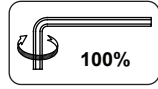


M4x15mm
Ⓑ x13
Screw

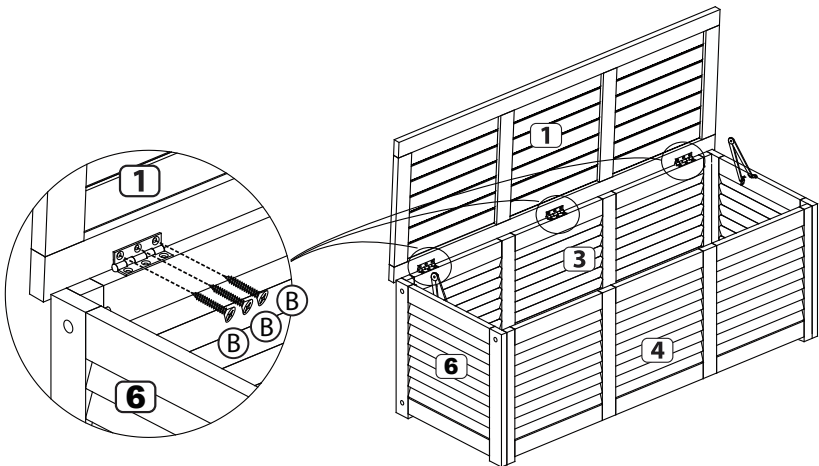
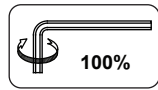


M6x55mm
Ⓒ x8
Screw

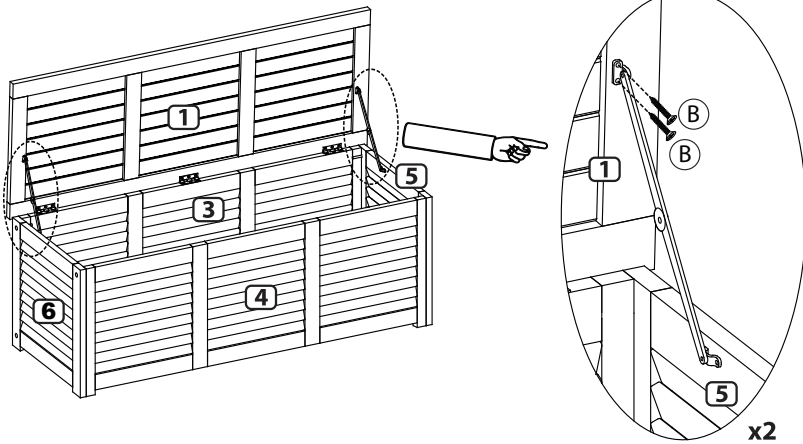
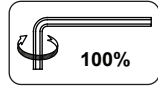
1



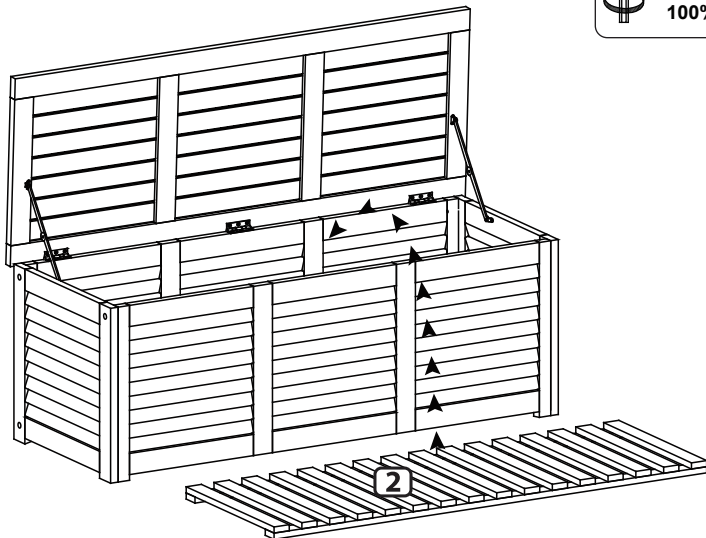
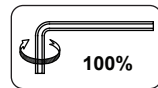
2



3

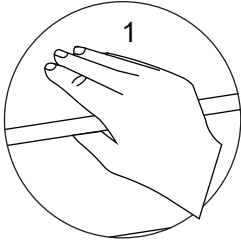


4

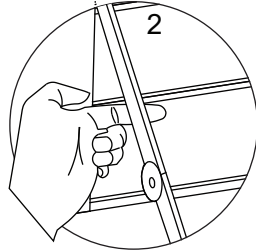


Tips: open and close the top lid

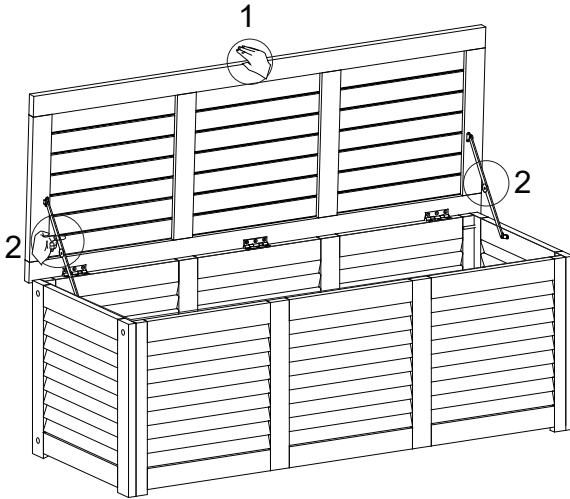
Open



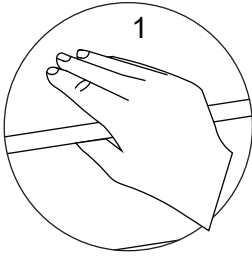
Hold the top of storage box.



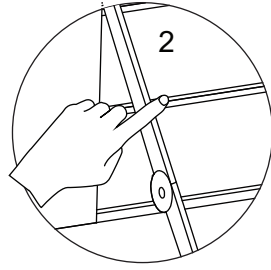
Pull out the bracket at this place.



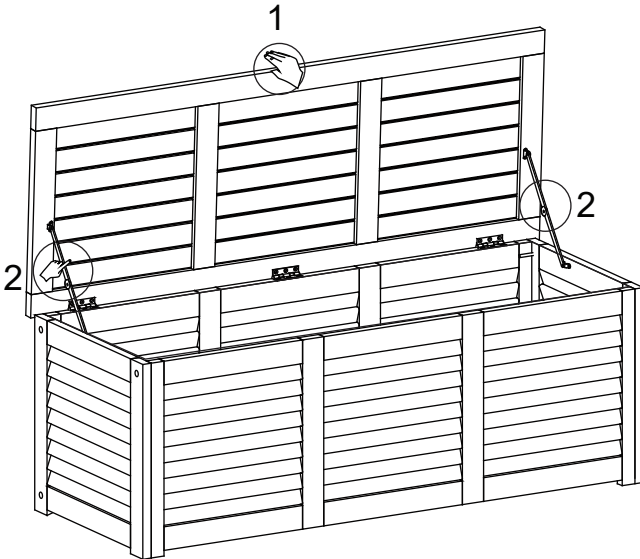
Close

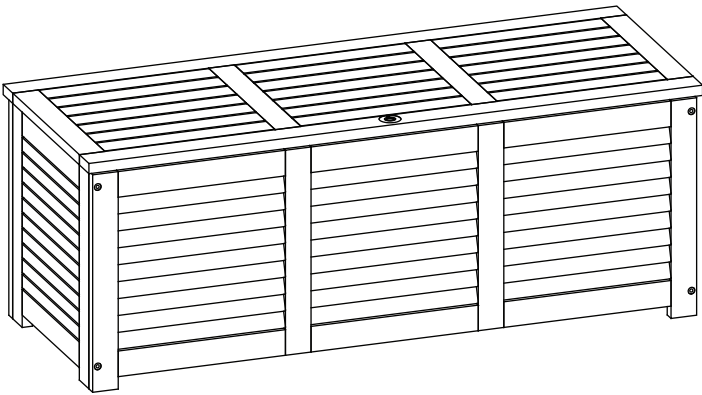


Hold the top of storage box.



Push in the bracket at this place.







Return / Damage Claim Instructions

- ⚠ **DO NOT discard the box / original packaging.**
In case a return is required, the item must be returned in original box. Without this your return will not be accepted.
- ⚠ **Take a photo of the box markings.**
A photo of the markings (text) on the side of the box is required in case a part is needed for replacement. This helps our staff identify your product number to ensure you receive the correct parts.
- ⚠ **Take a photo of the damaged part (if applicable).**
A photo of the damage is always required to file a claim and get your replacement or refund processed quickly. Please make sure you have the box even if it is damaged.
- ⚠ **Send us an email with the images requested.**
Email us directly from marketplace where your item was purchased with the attached images and a description of your claim.