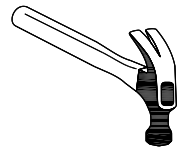
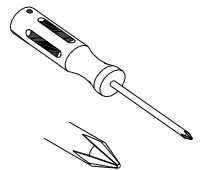
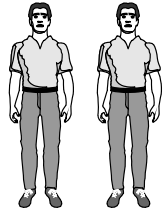


# ASSEMBLY INSTRUCTIONS



1:50 Hs



## HARDWARE INCLUDED



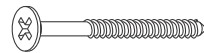
A - 8,0x30 Wood Dowel  
Qty. 24



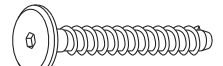
B - 4,0x30 Screw  
Qty. 36



C - 4,0x14 Screw  
Qty. 12



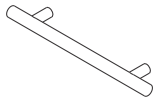
D - 4,0x45 Screw  
Qty. 06



F - 7,0x70 Screw  
Qty. 04



H - M4x25 Screw  
Qty. 06



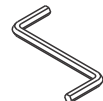
I - Knob  
Qty. 02



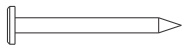
J - Knob  
Qty. 02



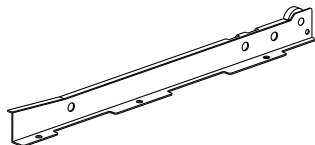
K - 3,5x16 Screw  
Qty. 12



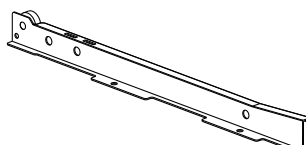
N - Z Key  
Qty. 01



O - 10x10 Nail  
Qty. 26

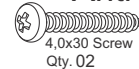


P - Slide Left 330mm  
Qty. 03

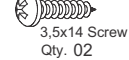


Q - Slide Right 330mm  
Qty. 03

### Anti-Tip Kit



4,0x30 Screw  
Qty. 02



3,5x14 Screw  
Qty. 02



Plastic wall bracket  
Qty. 02

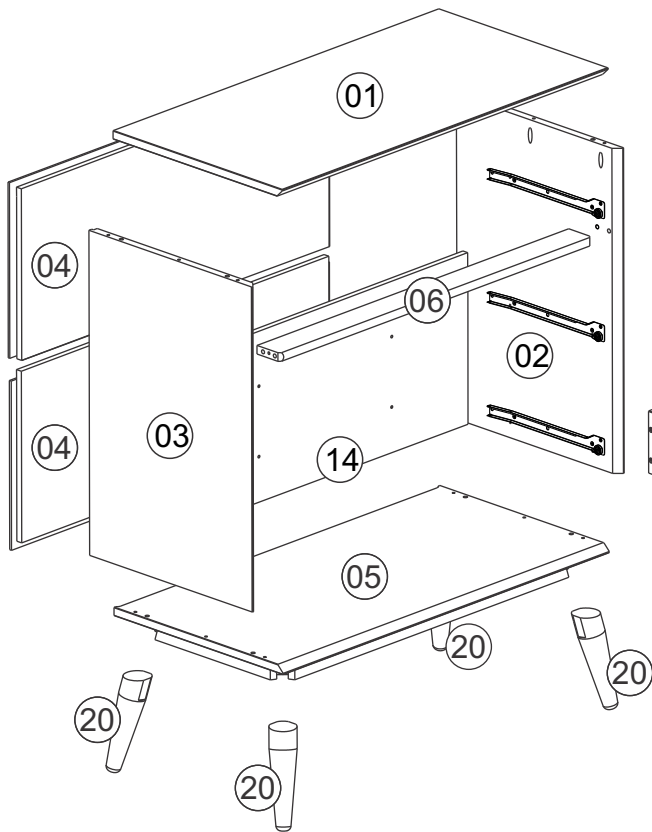


Nylon strap 300x4,8mm  
Qty. 01

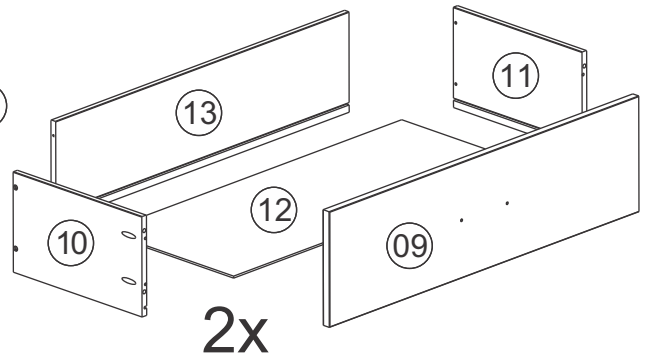
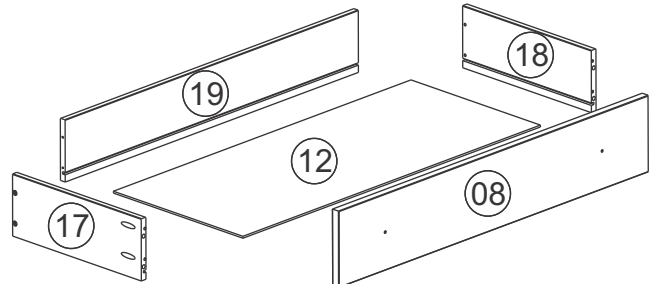


Plastic screw anchor 6mm  
Qty. 02

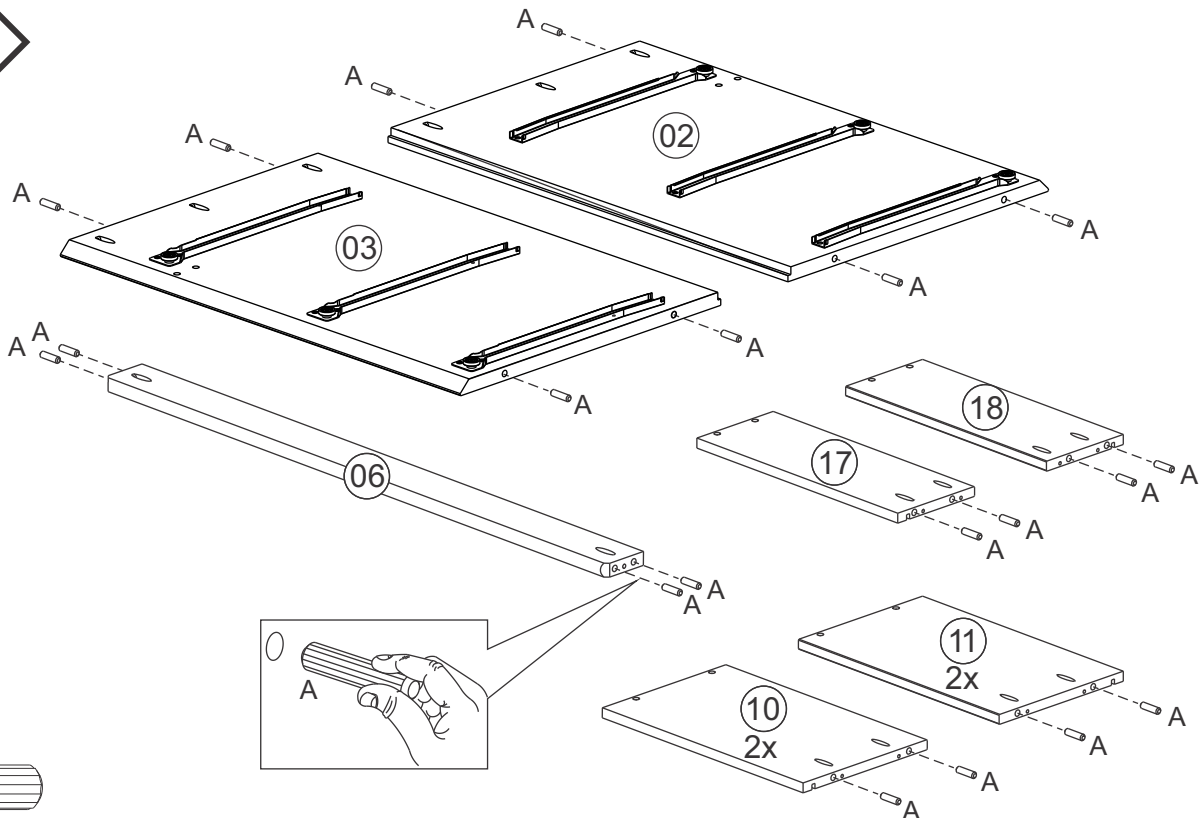
# PARTS INCLUDED



The side drawer with WARNING LABEL, should be mounted to the top drawer.

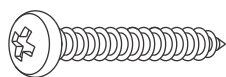
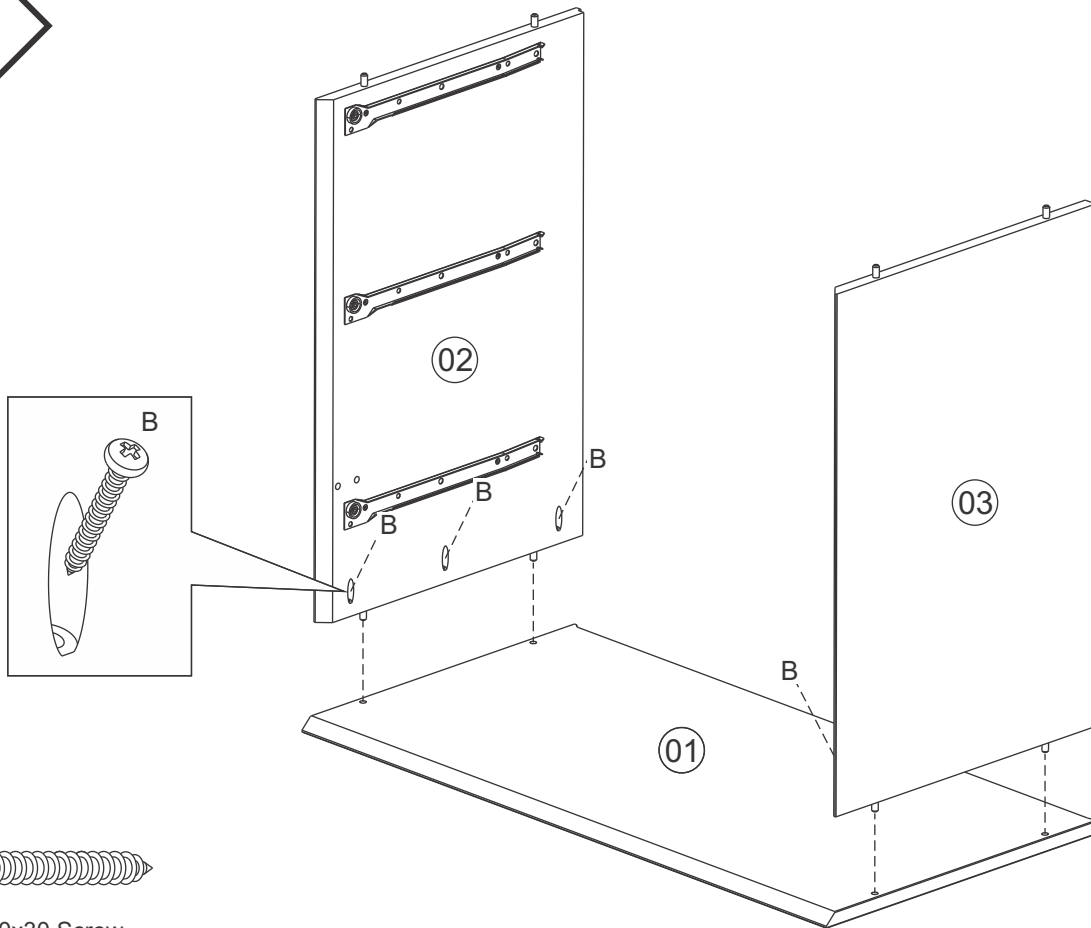


## STEP 1



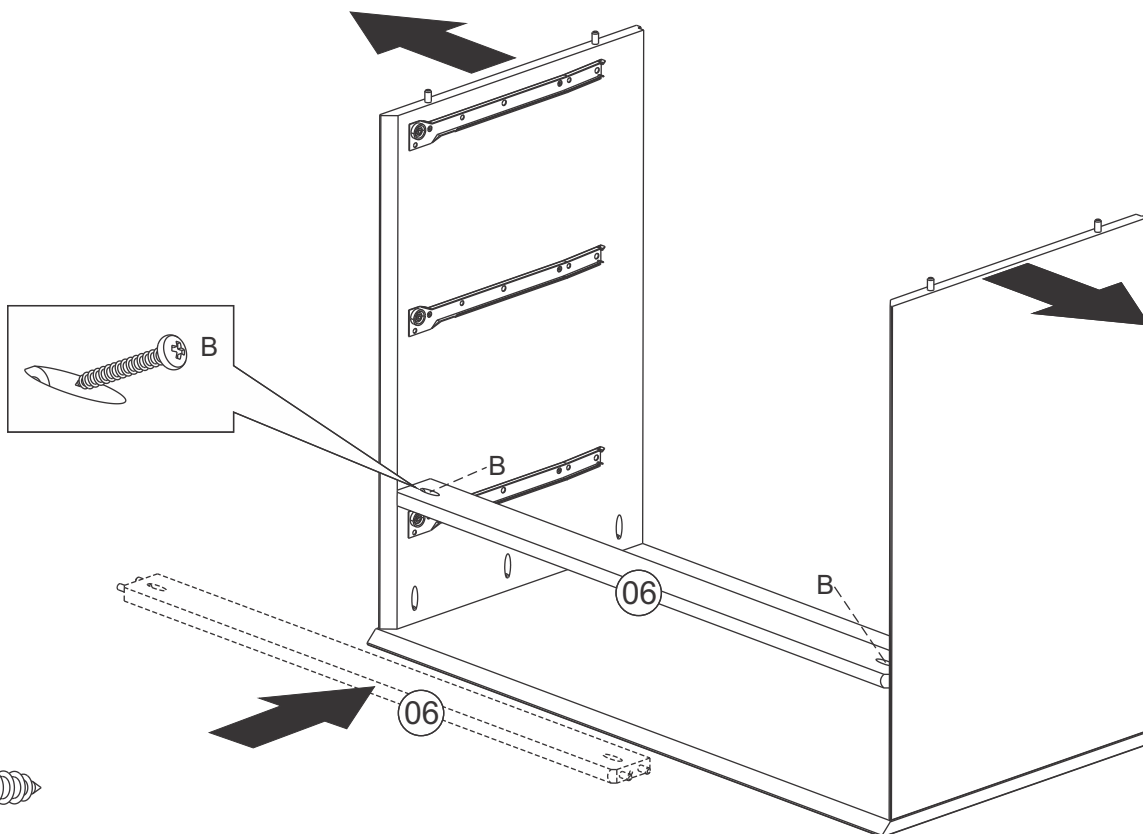
A - 8,0x30 Wood Dowel  
Qty. 24

**STEP 2**



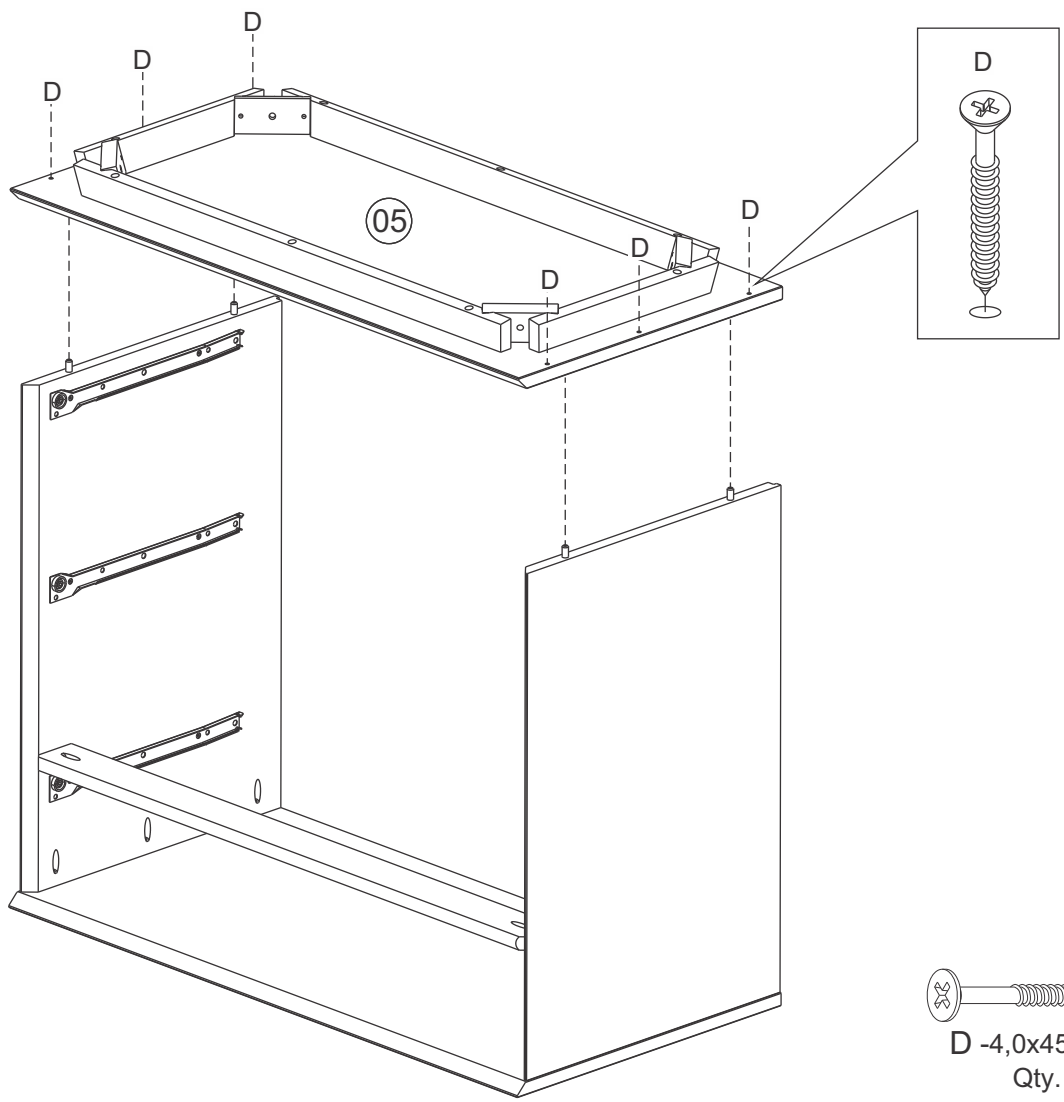
B - 4,0x30 Screw  
Qty. 06

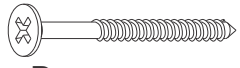
**STEP 3**



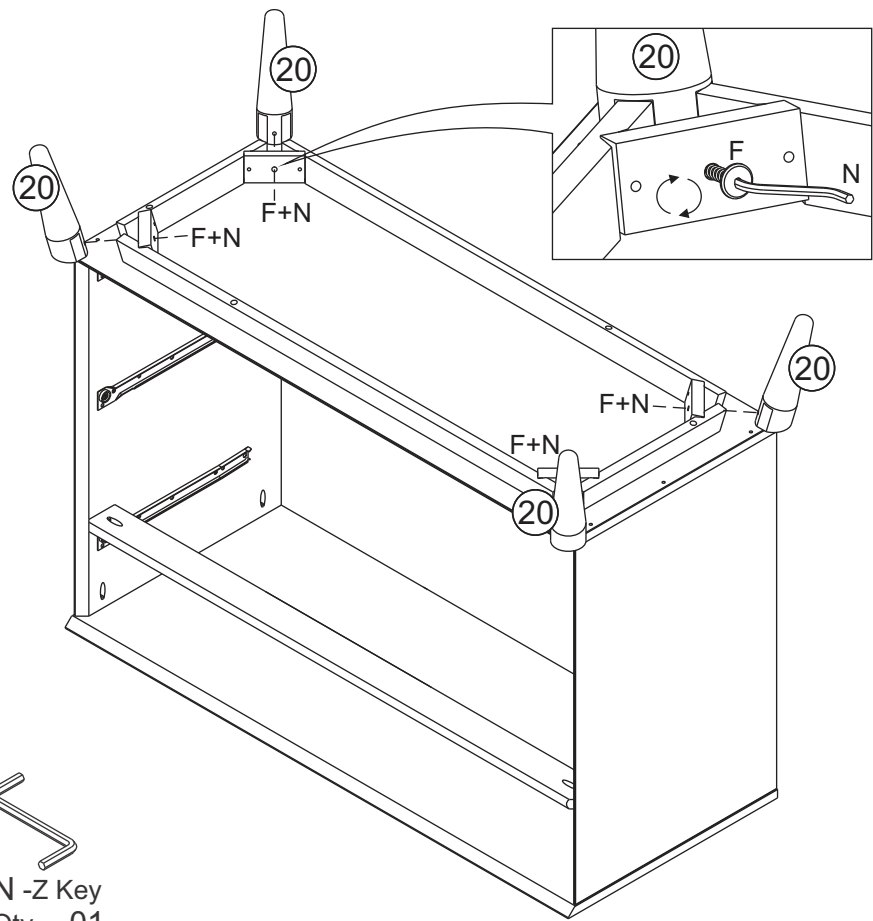
B - 4,0x30 Screw  
Qty. 02

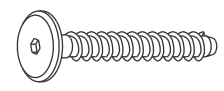
**STEP 4**



  
D -4,0x45 Screw  
Qty. 06

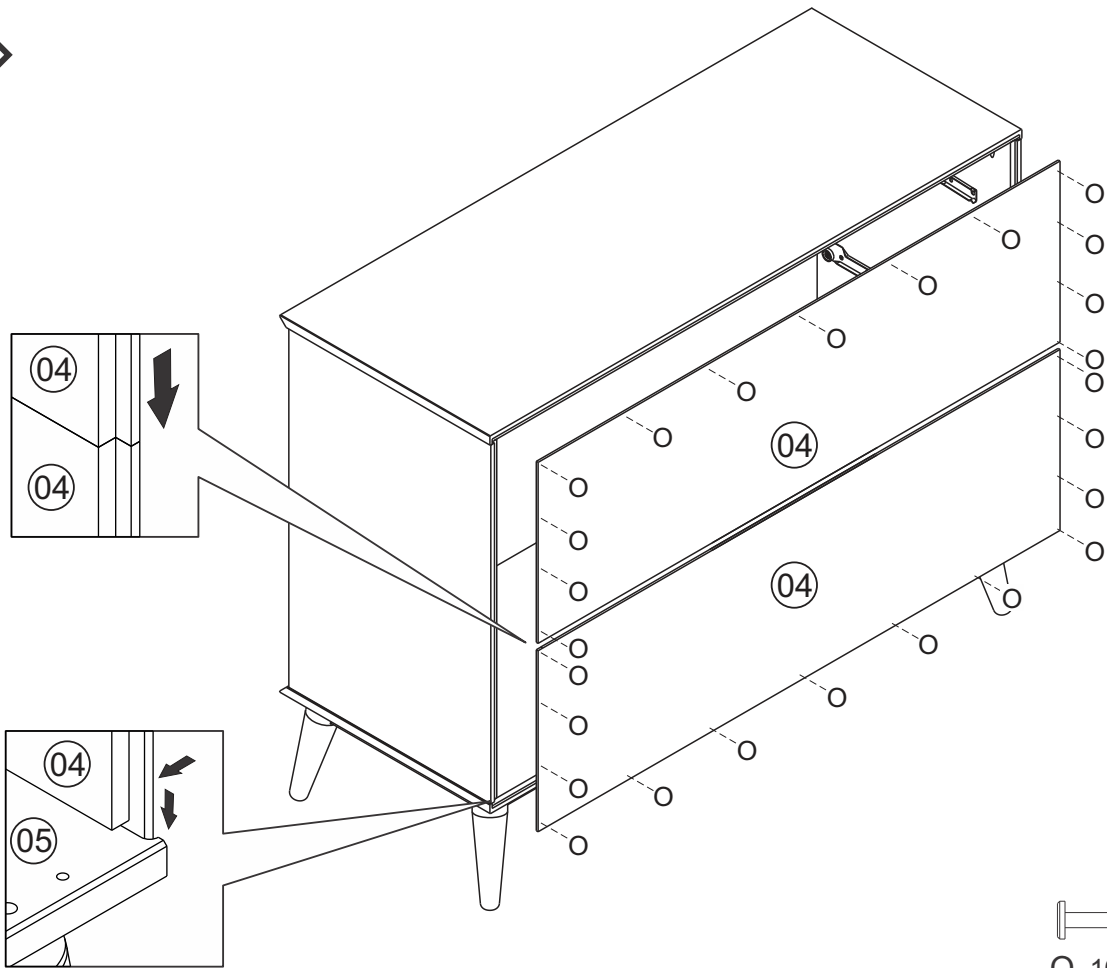
**STEP 5**



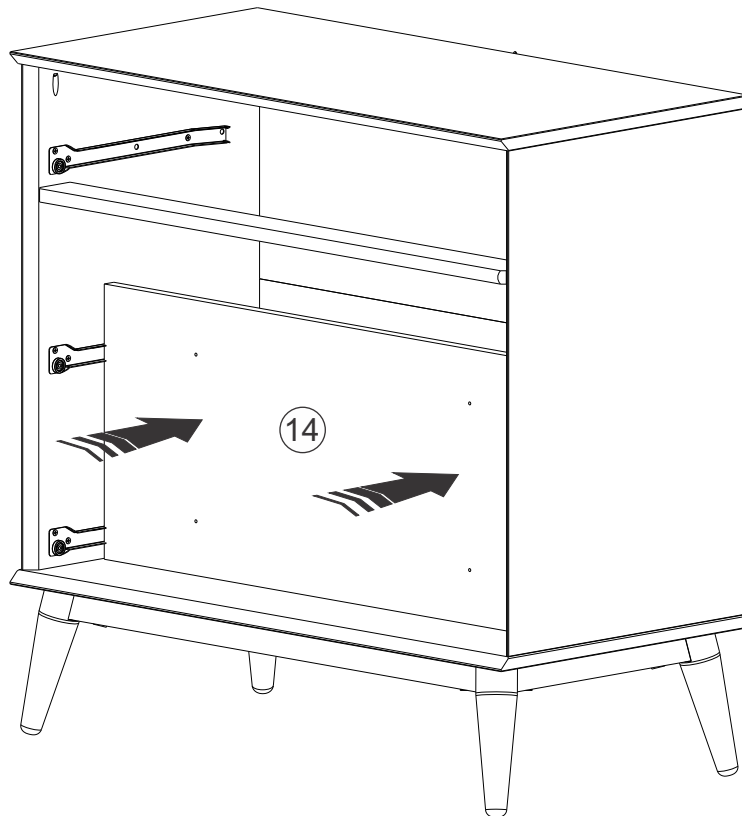
  
F -7,0x70 Screw  
Qty. 04

  
N -Z Key  
Qty. 01

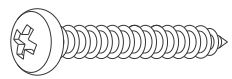
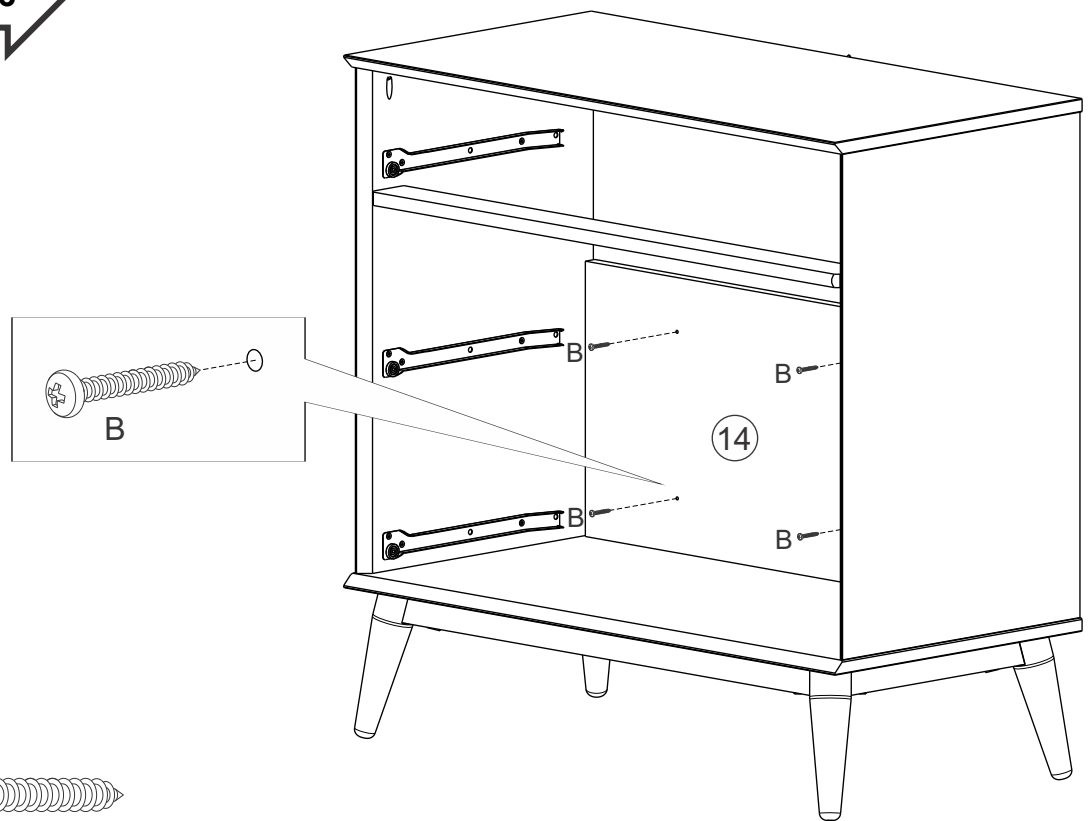
STEP 6



STEP 7

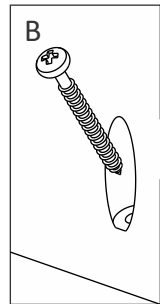
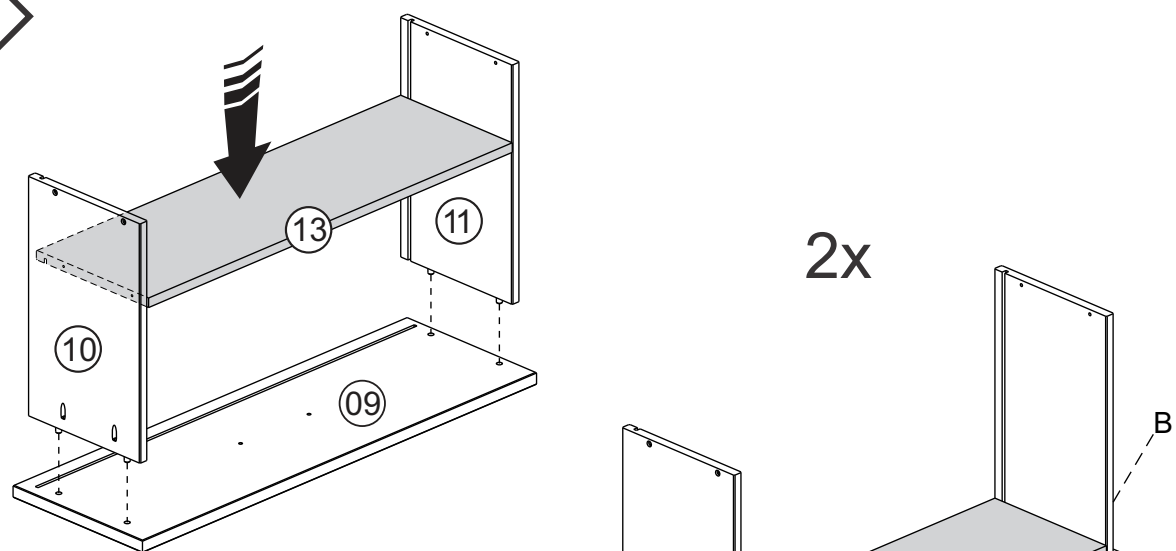


**STEP 8**



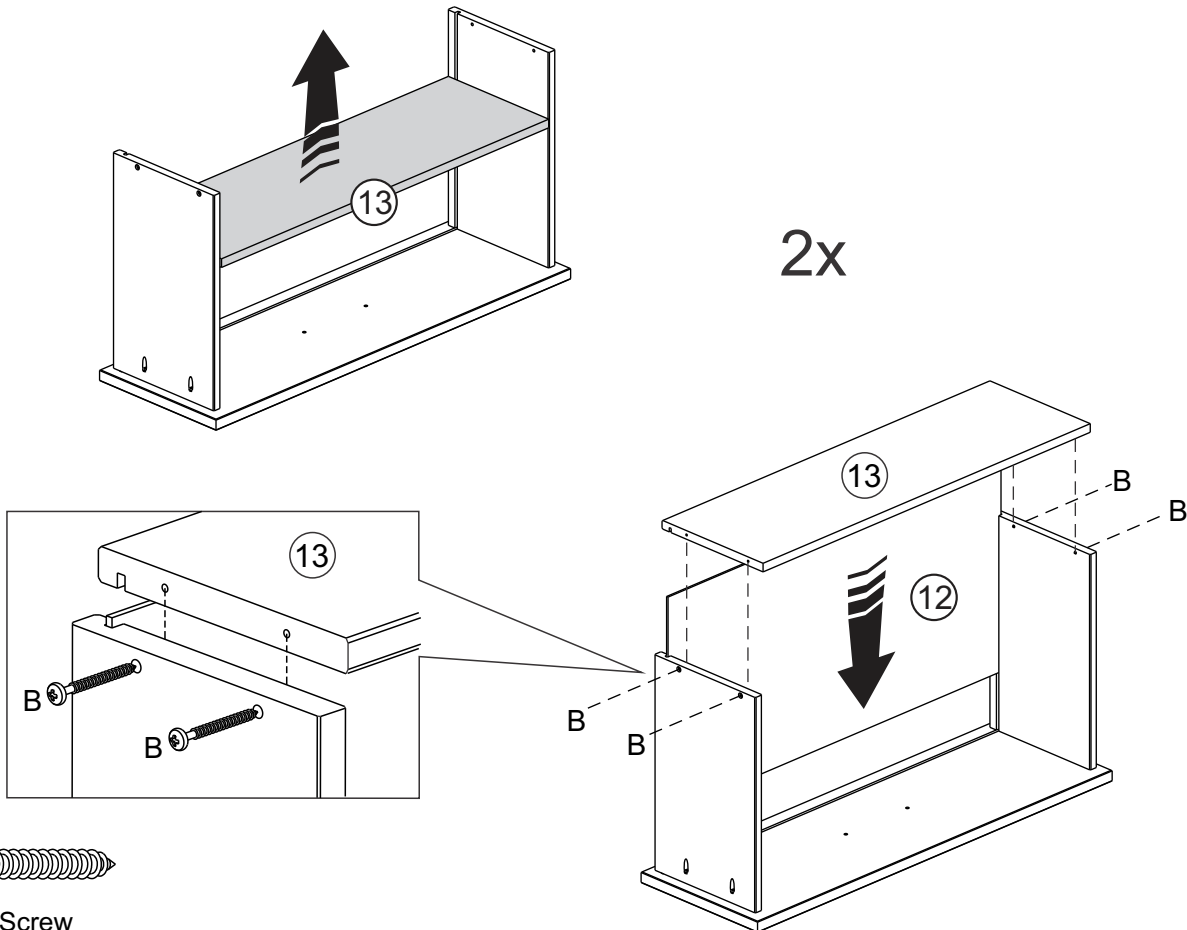
B - 4,0x30 Screw  
Qty. 04

**STEP 9**



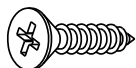
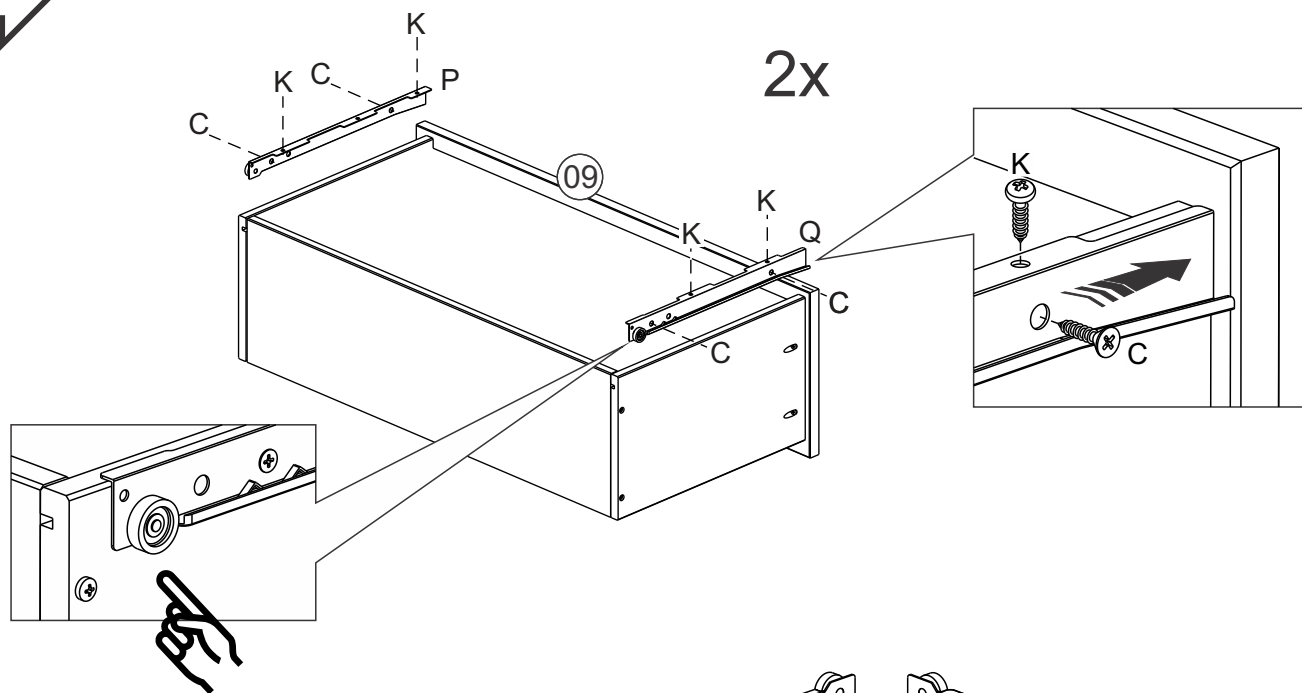
B - 4,0x30 Screw  
Qty. 08

**STEP 10**



B - 4,0x30 Screw  
Qty. 08

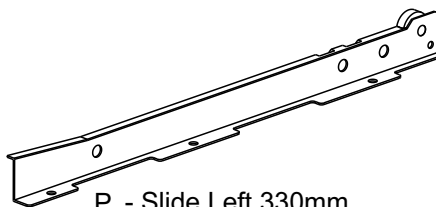
**STEP 11**



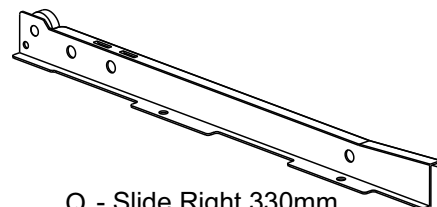
C - 4,0x14 Screw  
Qty. 08



K - 3,5x16 Screw  
Qty. 08



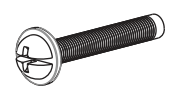
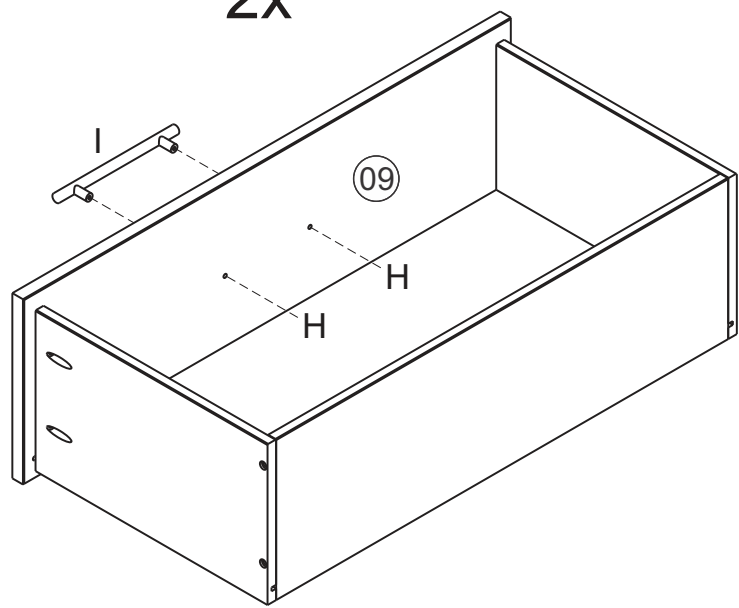
P - Slide Left 330mm  
Qty. 02



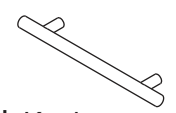
Q - Slide Right 330mm  
Qty. 02

**STEP 12**

2x

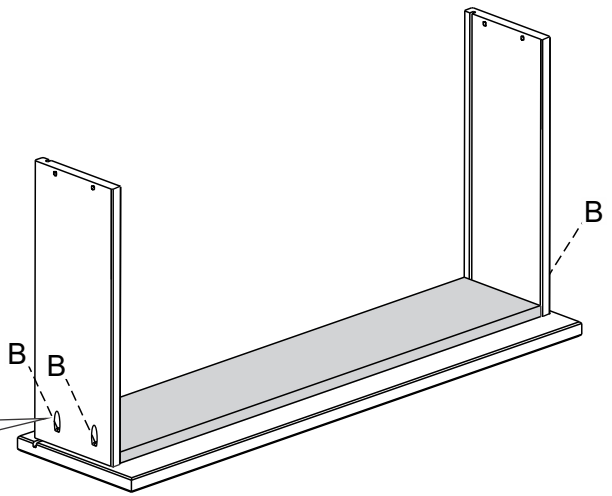
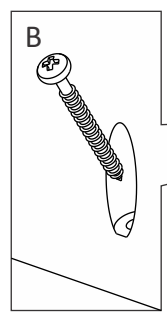
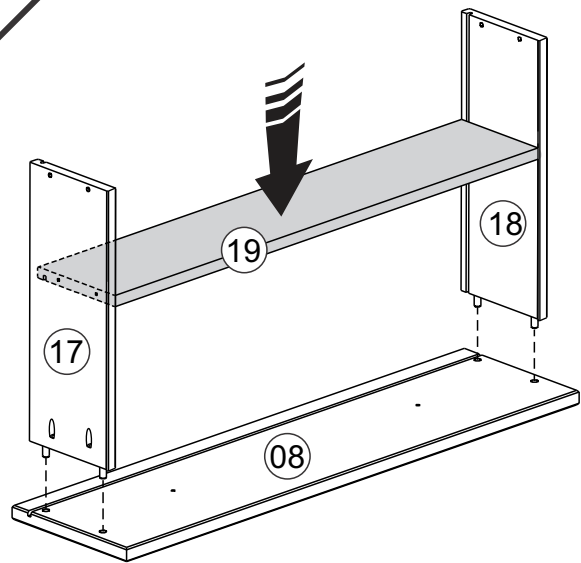


H -M4x25 Screw  
Qty. 04



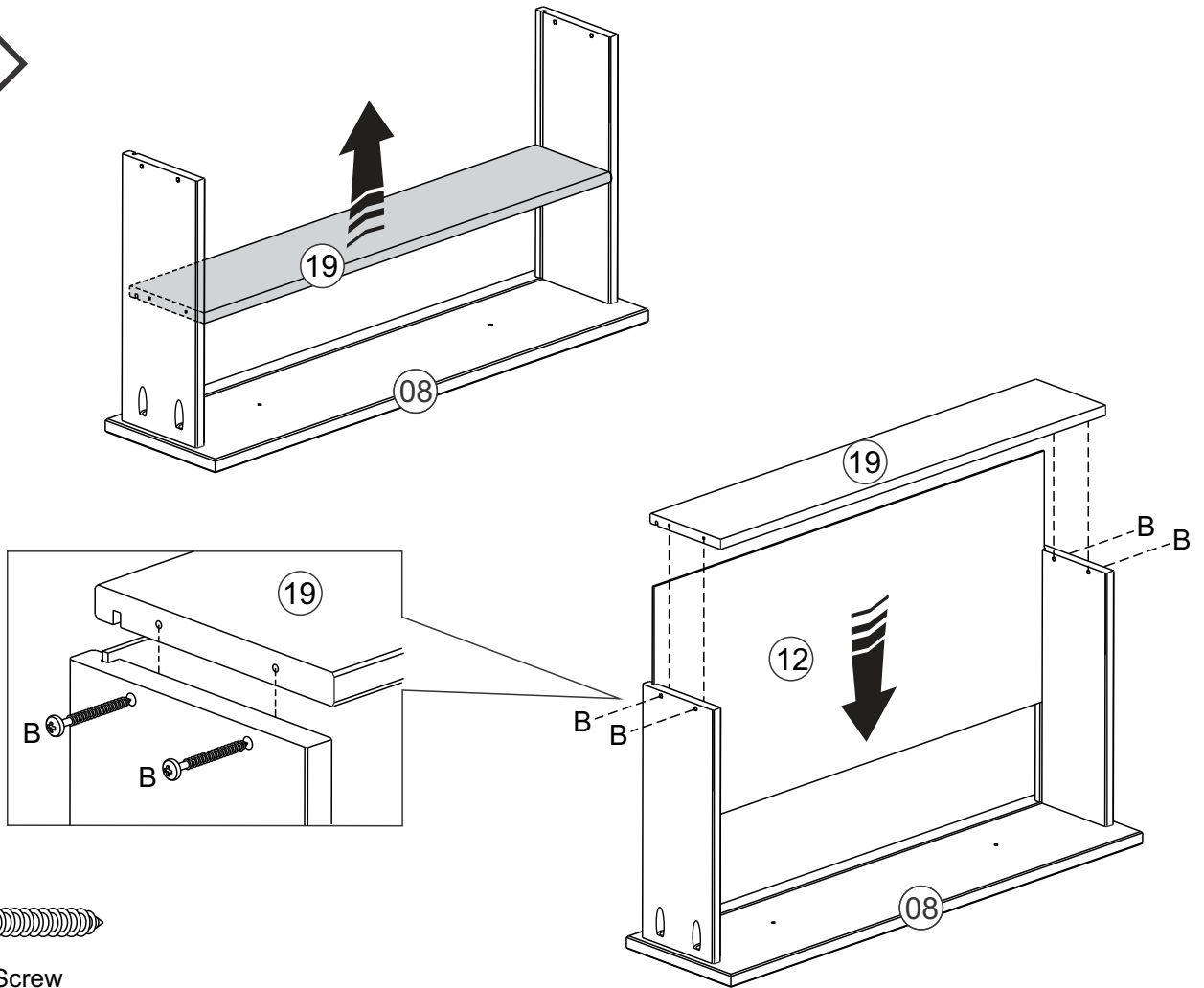
I-Knob  
Qty. 02

**STEP 13**



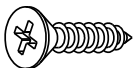
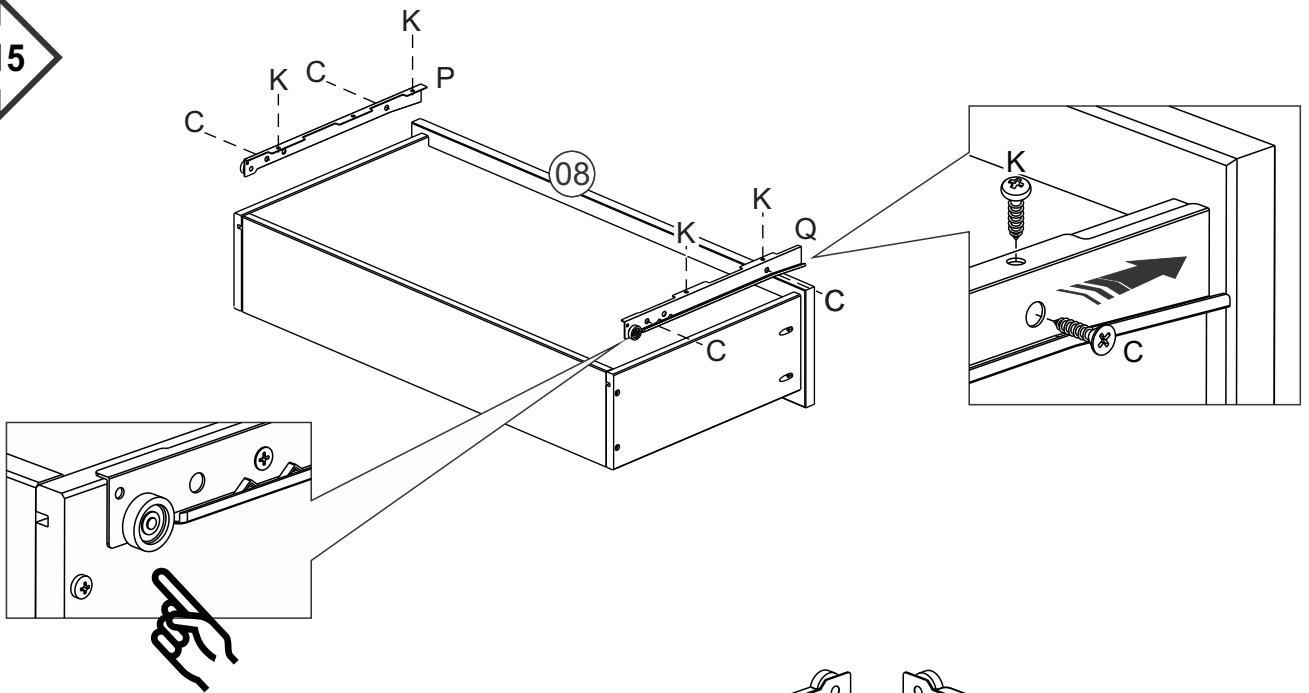
B - 4,0x30 Screw  
Qty. 04

**STEP 14**



B - 4,0x30 Screw  
Qty. 04

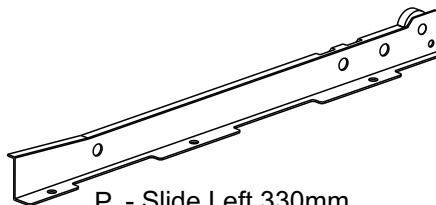
**STEP 15**



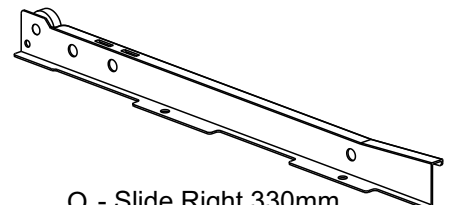
C - 4,0x14 Screw  
Qty. 04



K - 3,5x16 Screw  
Qty. 04

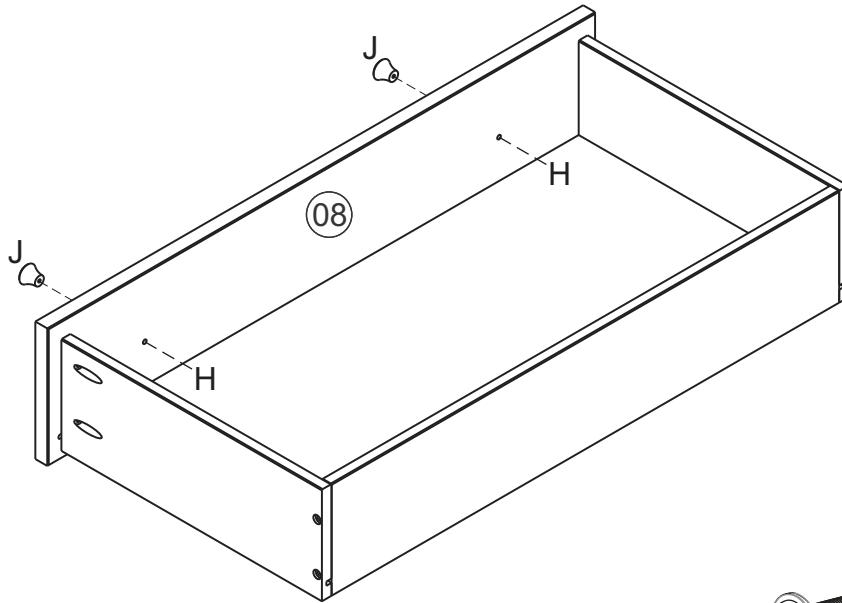


P - Slide Left 330mm  
Qty. 01



Q - Slide Right 330mm  
Qty. 01

STEP 16

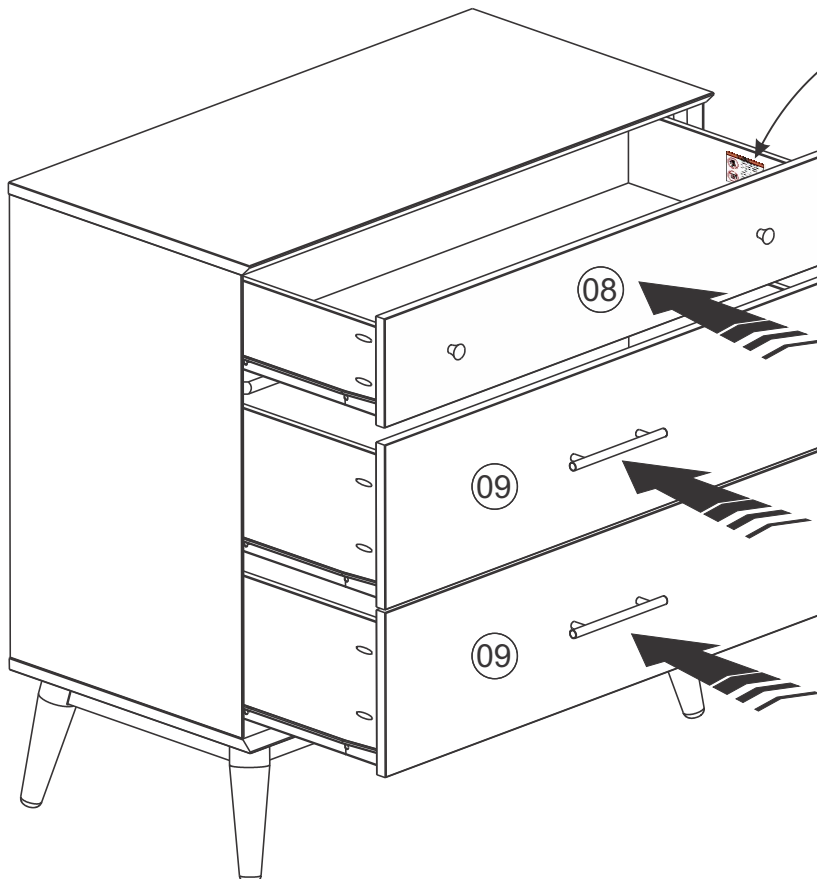


H -M4x25 Screw  
Qty. 02





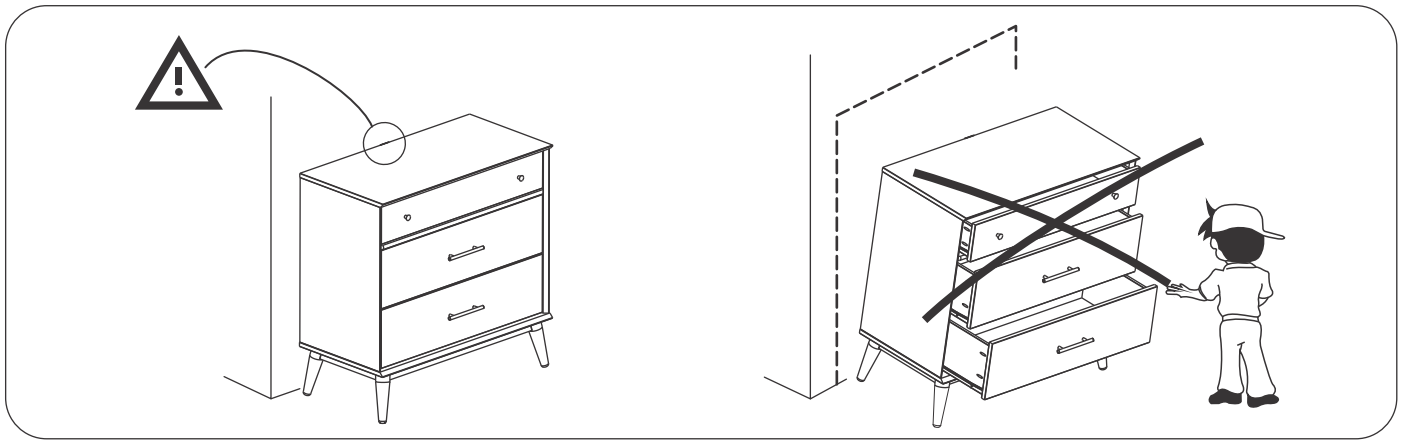
J -Knob  
Qty. 02

STEP 17

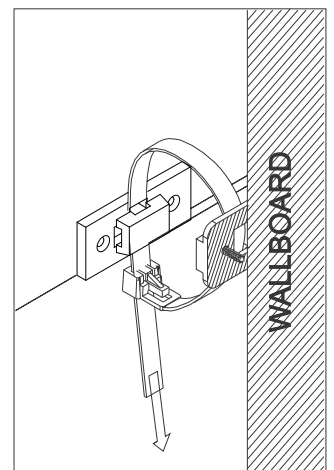
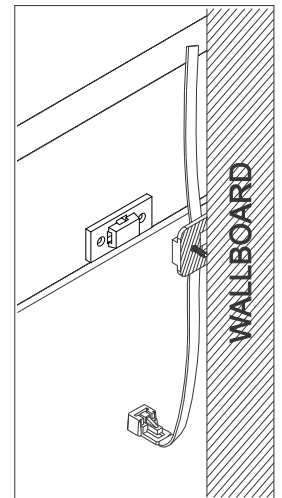
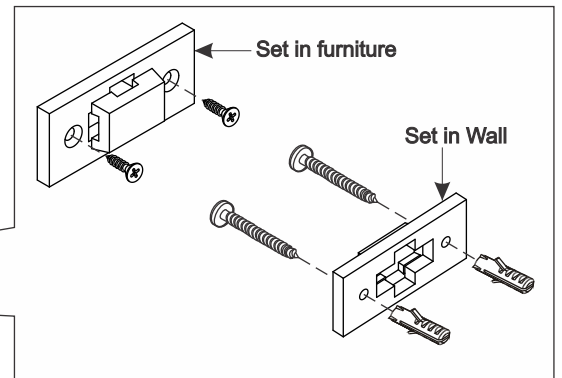


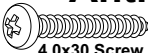

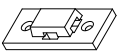


Place The Drawer  
With Warning Label  
in Upper Most Position  
Of Chest As Shown.

⚠ WARNING	
	Children have died from furniture tipover. To reduce the risk of furniture tipover:
	• ALWAYS install Anti-tip device provided.
	• NEVER put a TV on this product.
	• NEVER allow children to stand, climb or hang on any drawers, doors, or shelves.
	• NEVER open more than one drawer at a time.
	• Place heaviest items in the lowest drawers.
	This is a permanent label. Do not remove!



# Anti-Tip Kit



- Anti-Tip Kit**
-  4,0x30 Screw  
Qty. 02
  -  3,5x14 Screw  
Qty. 02
  -  Plastic wall bracket  
Qty. 02
  -  Nylon strap 380x7,6mm  
Qty. 01
  -  Plastic screw anchor 6mm  
Qty. 02