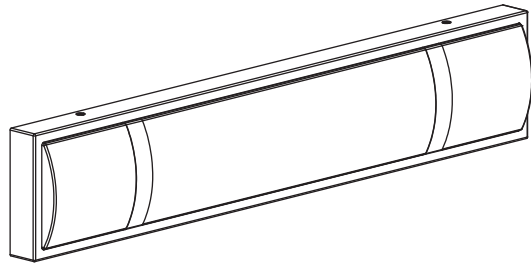


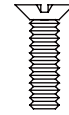
Instruction Manual

LED Wall Lamp



HARDWARE CONTENTS(shown actual size)

AA



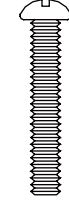
Short
mounting x 4
screw

BB



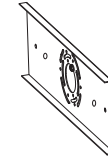
Wire nut x 3

CC



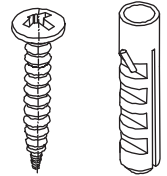
Long
mounting x 2
screw

DD



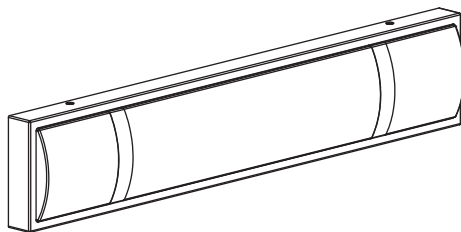
Crossbar
(Not actual size) x 1

EE



Screw &
Anchor x 2

PACKAGE CONTENTS



A

PART	DESCRIPTION	QUANTITY
A	Fixture body	1

! SAFETY INFORMATION

Please read and understand this entire manual before attempting to assemble, operate or install the product.

! WARNING

- TURN OFF ELECTRICITY at main fuse box (or circuit breaker box) before beginning installation by removing fuse (or switching off circuit breaker).
- MINIMUM 90°C SUPPLY CONDUCTORS.

PREPARATION

Before beginning assembly of product, make sure all parts are present. Compare parts with package contents list and hardware contents list. If any part is missing or damaged, do not attempt to assemble the product.

Estimated Assembly Times: 25 minutes

Tools Required for Assembly (not included): Flathead screwdriver , Phillips screwdriver, Pliers, Electrical tape, Wire cutters, Safety glasses.

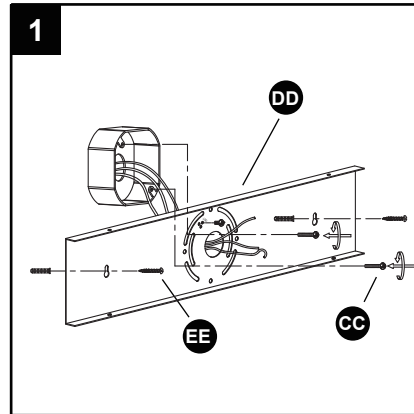
Helpful Tools (not included): Wire strippers, Step ladder.

ASSEMBLY INSTRUCTIONS

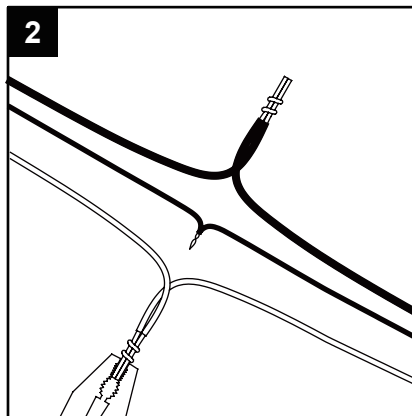
1. Drilling two holes in the wall, distance and the same distance from the keyhole of mounting plate, then loaded plastic anchors. Attach the crossbar (DD) to the wall, aligning the plastic anchors and junction box, lock it securely with the two screws (EE) and the two box screws (CC). The side of the crossbar marked "GND" must face out.

Hardware Used

- CC Long mounting screw x 2
- DD Crossbar x 1
- EE Screw & Anchor x 2



2. Strip 3/4 in. of insulation from wire ends. Twist stripped ends together with pliers (not included), black to black (power) and white to white (neutral). Attach copper wire to ground wire. Helpful hint: If necessary, attach copper ground wire to grounded outlet box.

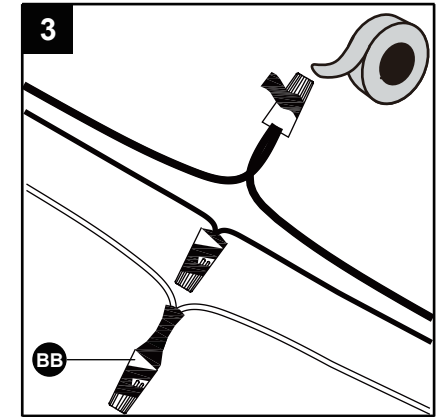


ASSEMBLY INSTRUCTIONS

3. Attach wire nuts (BB). Tape wire nuts (BB) and wires together.

Hardware Used

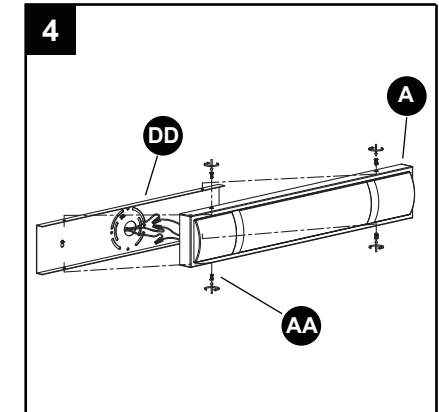
- BB Wire nut x 3



4. Place fixture (A) onto the crossbar (DD). Secure with short mounting screws (AA).

Hardware Used

- AA Short mounting screw x 4
- DD Crossbar x 1



5. The lamp installation has been completed, no bulb is required.

