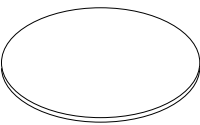
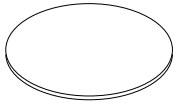
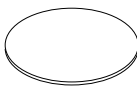
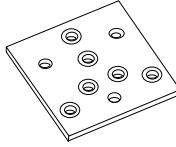


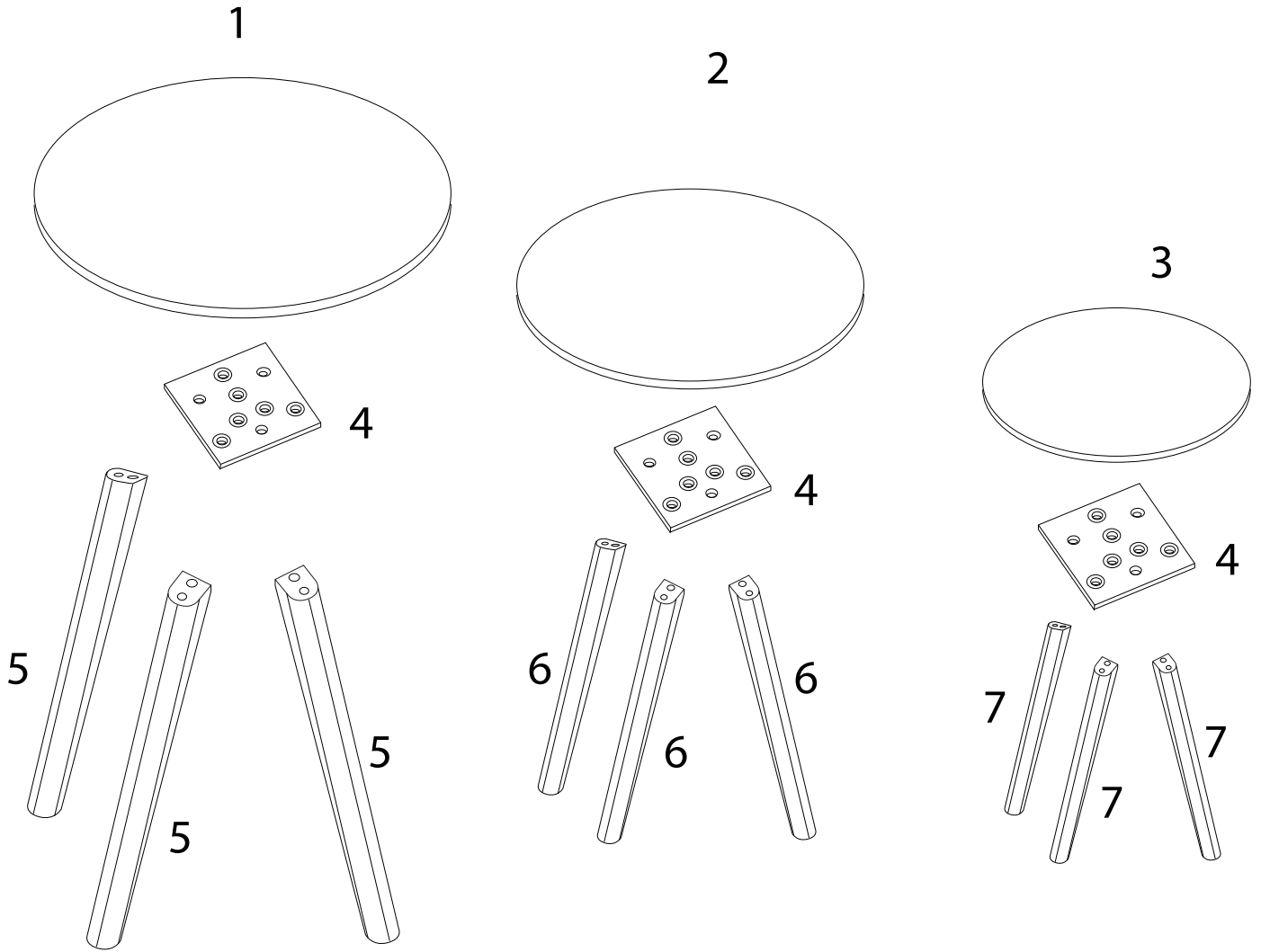




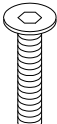


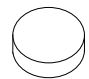


Diagram illustrating assembly steps and safety warnings:

- Step 1:** Shows an L-shaped bracket being attached to a leg using a power drill. A warning triangle with an exclamation mark is present.
- Step 2:** Shows a rectangular block being attached to the leg using a screwdriver. A warning triangle with an exclamation mark is present.
- Time:** A clock icon indicates a duration of 40'.
- Personnel:** A person icon indicates that 1 person is required for the task.

1	2	3	4	5	6
					
x 1	x 1	x 1	x 3	x 3	x 3



7	A	B	C	D	E
					
x 3	x 1	x 18	x 1	x 9	x 9

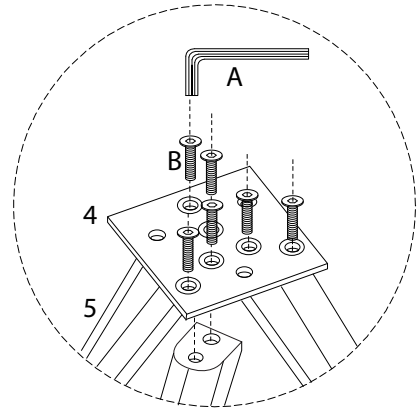
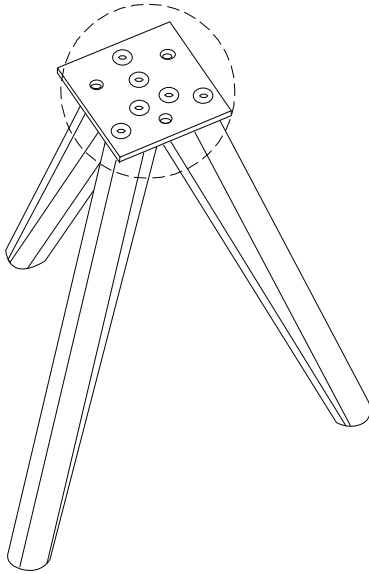
1

5
x 3

4
x 1

B
M6
x 25
x 5

A
M4
x 1

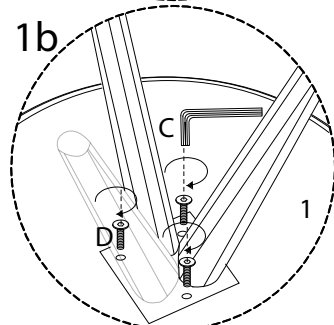
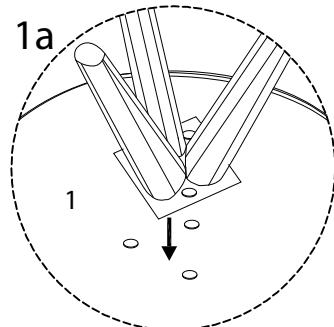
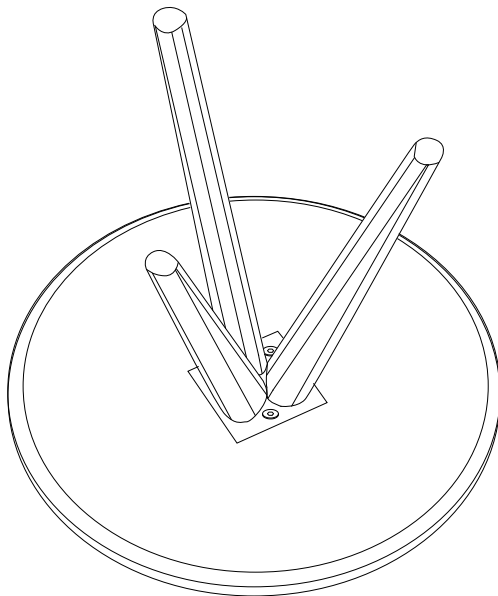


2

1
x 1

D
M6
x 16
x 3

C
M5
x 1

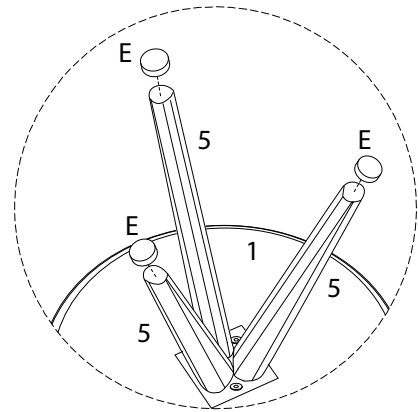
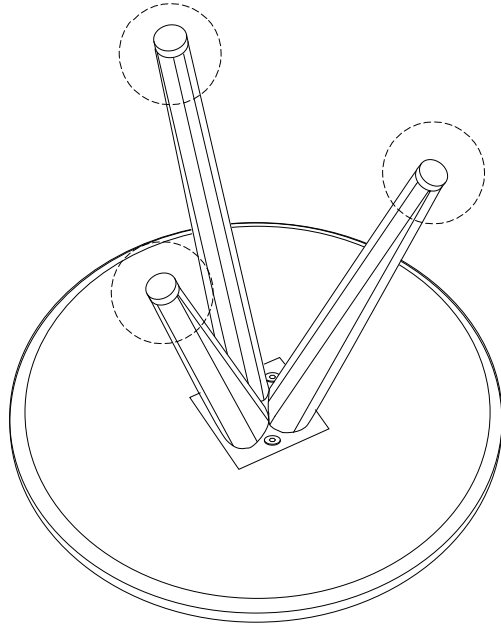


3

E



x 3



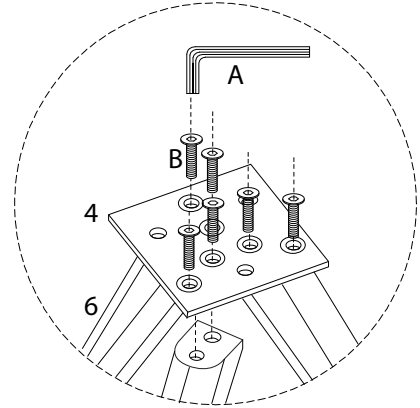
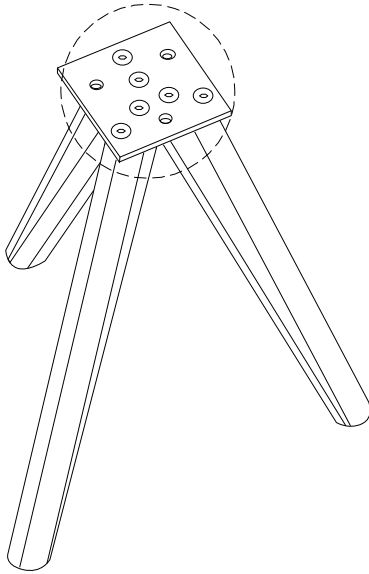
4

6
x 3

4
x 1

B
M6
x 25
x 5

A
M4
x 1

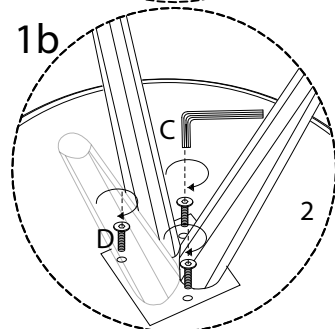
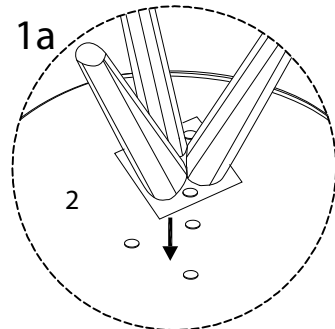
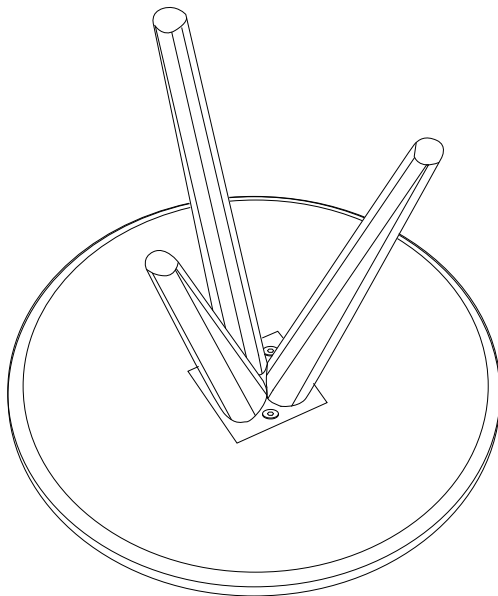


5

2
x 1

D
M6
x 16
x 3

C
M5
x 1

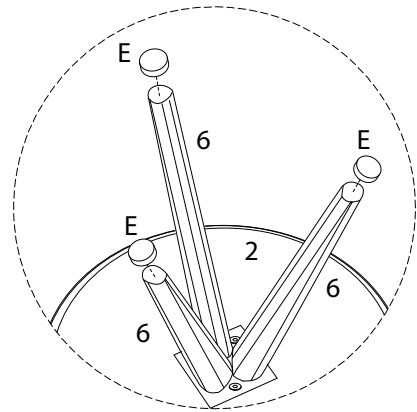
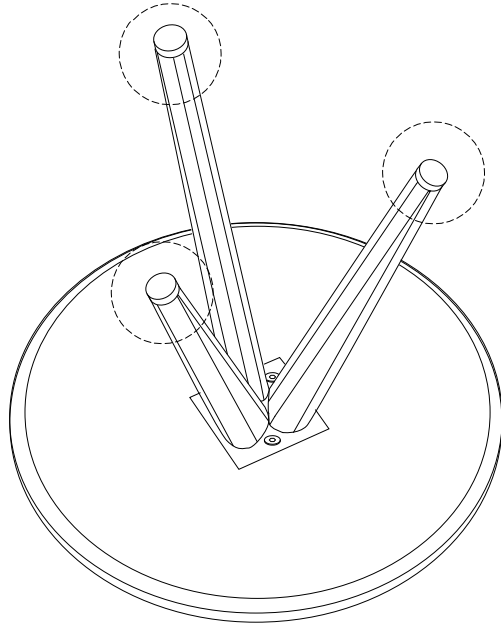


6

E



x 3



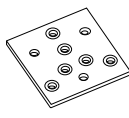
7

7



x 3

4



x 1

B

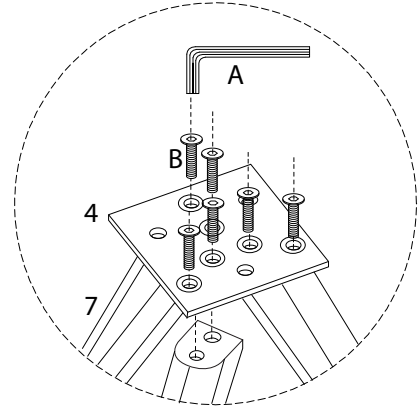
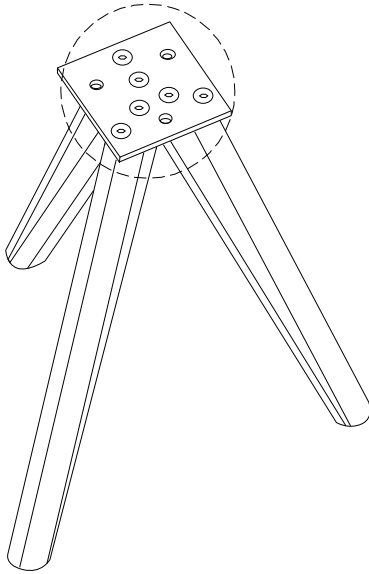


x 5

A

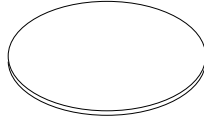


x 1



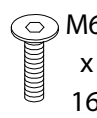
8

3



x 1

D

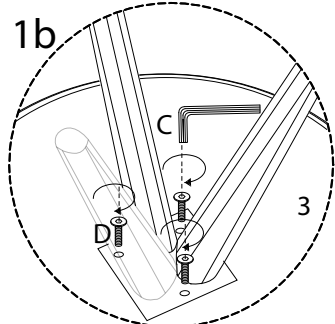
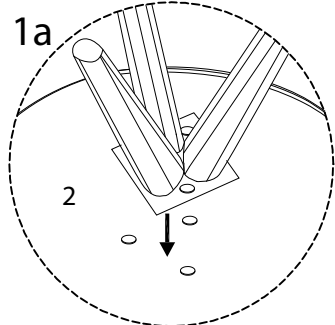
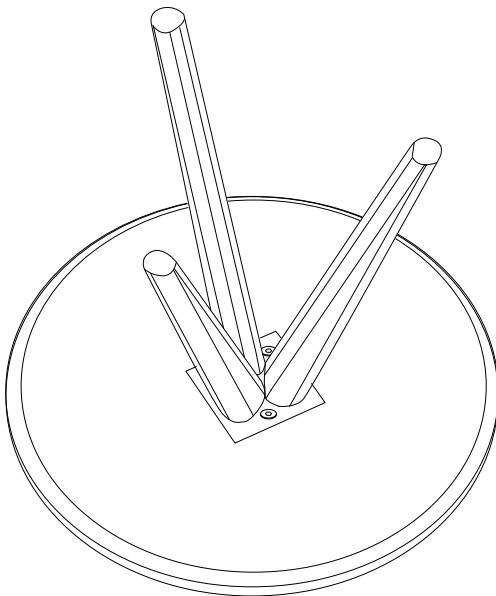


x 3

C



x 1



9

E



x 3

